



TECHNICAL REFERENCE GUIDE AND PARTS OVERVIEW

# Ceiling lifts and tracking components



Page intentionally left blank

Design Policy and Copyright

® and ™ are trademarks belonging to the Arjo group of companies.  
© Arjo 2022.

As our policy is one of continuous improvement, we reserve the right to modify designs without prior notice.

The content of this publication may not be copied either whole or in part without the consent of Arjo.

# Content

Mobility Gallery	xii
Infection control	xiii
QR Codes	xiv

## CEILING LIFTS

Ceiling lift solution chart	4
-----------------------------	---

### Fixed ceiling lifts

Charging methods	9
Spreader bar attachment	10
Maxi Smart	11
Part numbers	11
Compatibility with ceiling lifts	11
Spreader bar compatibility	12
Infection control	13
What cleaning solutions to use ?	13
Maxi Sky 2 Series	15
Overview	17
Maxi Sky 2 Infection Control & Maxi Sky 2	19
Key features	20
Product information	22
Product nomenclature	23
Common parts	24
Compatibility with tracking systems	25
Maxi Sky 2 Transportable	25
Maxi Sky 2 Transportable compatibility KWIKtrak accessories	25
Scales	26
Compatible spreader bars	26
Space requirements	28

Product dimensions	29
Maxi Sky 2 & Maxi Sky 2 Infection Control	29
2-point spreader bar (Small)	30
Infection Control 2-point spreader bar	30
2-point spreader bar	31
4-point spreader bar	31
Flat DPS	32
Powered DPS (Medium)	32
Powered DPS (Large)	33
DPS manual open (Medium)	33
Morgue stretcher bar	34
Stretcher frame	34
Scale unit	35
Maxi Sky 2 IC with Transportable receiving module	35
Maxi Sky 2 Basic	37
Key features	38
Product information	39
Product nomenclature	40
Common parts	41
Compatibility with tracking systems	42
Maxi Sky 2 Transportable	42
Maxi Sky 2 Transportable compatibility KWIKtrak accessories	42
Scales	43
Compatible spreader bars	43
Space requirements	44
Product dimensions	45
Maxi Sky 2 Basic	45
2-hook spreader bar for Maxi Sky 2 Basic	46
DPS Flat Manual	46

Carry Bar 4-hook 272 kg (600 lb) . . . . .	47	<b>Fixed tracking solutions</b> . . . . .	89
DPS Manual Open Ceiling . . . . .	47	Anatomy of a tracking layout . . . . .	90
Morgue spreader bar . . . . .	48	Typical installation layouts . . . . .	92
Scale unit . . . . .	48	Linear tracking solutions . . . . .	92
Maxi Sky 2 Basic with Transportable receiving module . . . . .	49	X-Y tracking solutions . . . . .	93
Maxi Sky 2 Plus Series . . . . .	51	Tracking with accessories solutions . . . . .	94
Maxi Sky 2 Plus Infection Control & Maxi Sky 2 Plus . . . . .	53	KWIKtrak rails and accessories . . . . .	95
Key features . . . . .	54	Track section chart . . . . .	96
Product information . . . . .	56	Dimensions . . . . .	97
Product nomenclature . . . . .	57	Anatomy of a track . . . . .	98
Common parts . . . . .	58	Embedded track system . . . . .	99
Compatibility with tracking systems . . . . .	59	Close-up VIEW . . . . .	100
Compatible spreader bars . . . . .	59	Part numbers . . . . .	100
Scales . . . . .	60	Safe working load (SWL) . . . . .	100
Space requirements . . . . .	60	X-Y System . . . . .	101
Product dimension . . . . .	61	Layout example . . . . .	102
Maxi Sky 2 Plus . . . . .	61	Usage example . . . . .	103
Maxi Sky 1000 . . . . .	63	X-Y Trolley options for 272kg (600 lb) . . . . .	104
Key features . . . . .	64	X-Y Trolley options for 454kg (1000 lb) . . . . .	105
Product information . . . . .	65	Possible combinations and Powering system compatibility . . . . .	106
Product nomenclature . . . . .	66	Part numbers . . . . .	107
Common parts . . . . .	67	Gate . . . . .	109
Compatibility with tracking systems . . . . .	67	Anatomy of the gate system . . . . .	110
Compatible spreader bars . . . . .	68	Key features . . . . .	110
Scales . . . . .	68	Gate compatibility w/ ceiling lifts . . . . .	112
Space requirements . . . . .	69	Safe working load (SWL) . . . . .	112
Product dimension . . . . .	70	Part numbers . . . . .	113
Maxi Sky 1000 . . . . .	70	Part numbers . . . . .	114
Morgue stretcher for bariatric/MS1000 . . . . .	71	Gate for Maxi Sky 2 usage examples . . . . .	115
4-Point spreader bar . . . . .	71	Gate for Maxi Sky 2 Plus usage examples . . . . .	116
2-point spreader bar . . . . .	72	Turntable . . . . .	117
Scale unit 454 kg (1000 lb) . . . . .	72	Layout example . . . . .	118
<b>Portable ceiling lifts</b> . . . . .	73	Part numbers . . . . .	118
Maxi Sky 440 . . . . .	75	Compatibility with ceiling lifts . . . . .	118
Key features . . . . .	76	Safe working load (SWL) . . . . .	118
Product information . . . . .	78	Set up (Automatic turntable) . . . . .	120
Product nomenclature . . . . .	79	Set up (Manual turntable) . . . . .	120
Compatibility with tracking systems . . . . .	79	Exchanger . . . . .	121
Common parts . . . . .	80	Layout example . . . . .	122
Compatible spreader bars . . . . .	81	Part number . . . . .	122
Space requirements . . . . .	81	Compatibility with ceiling lifts . . . . .	122
Product dimension . . . . .	82	Safe working load (SWL) . . . . .	122
Maxi Sky 440 . . . . .	82	Set up . . . . .	124
<b>TRACKING</b>		Cathedral ceiling bracket . . . . .	125
Tracking solution chart . . . . .	88	Close-up views . . . . .	126
Fixed tracking systems . . . . .	88	Part number . . . . .	126
Portable tracking systems . . . . .	88	Compatibility with ceiling lifts . . . . .	126
		Safe working load (SWL) . . . . .	126
		Wall bracket . . . . .	127
		Layout example . . . . .	128
		Part number . . . . .	128

Compatibility with ceiling lifts . . . . .	128	Product information . . . . .	163
Safe working load (SWL) . . . . .	128	Common parts . . . . .	163
Wall post . . . . .	129	Product dimension . . . . .	164
Layout example . . . . .	130	Easytrack FS . . . . .	165
Part number . . . . .	130	Usage example . . . . .	166
Compatibility with ceiling lifts . . . . .	130	Product information . . . . .	167
Safe working load (SWL) . . . . .	130	Common parts . . . . .	167
Wall post/Side mounted . . . . .	131	Product dimension . . . . .	168
Layout example . . . . .	132	Easytrack 2 posts . . . . .	169
Part number . . . . .	132	Usage example . . . . .	170
Compatibility with ceiling lifts . . . . .	132	Product information . . . . .	171
Safe working load (SWL) . . . . .	132	Common parts . . . . .	171
Wall mount . . . . .	133	Product dimension . . . . .	172
Wall fixation method for concrete, bricks or wooden studs . . . . .	133	Easytrack 3 posts . . . . .	173
Layout example . . . . .	134	Usage example . . . . .	174
Part number . . . . .	134	Product information . . . . .	175
Compatibility with ceiling lifts . . . . .	134	Common parts . . . . .	175
Safe working load (SWL) . . . . .	134	Product dimension . . . . .	176
Wall mount . . . . .	135	Easytrack 4 posts X-Y Gantry . . . . .	177
Wall fixation method for steel studs with drywall . . . . .	135	Usage example . . . . .	178
Layout example . . . . .	136	Product information . . . . .	179
Part number . . . . .	136	Common parts . . . . .	179
Compatibility with ceiling lifts . . . . .	136	Product dimension . . . . .	180
Safe working load (SWL) . . . . .	136	Easytrack 2 posts system with a bath adaptor . . . . .	181
Enhanced Charging System (ECS) . . . . .	139	Usage example . . . . .	182
Anatomy of the ECS . . . . .	140	Product information . . . . .	183
Key features . . . . .	140	Common parts . . . . .	183
Part numbers . . . . .	141	Product dimension . . . . .	184
Compatibility with ceiling lifts . . . . .	141	Easytrack 3 post system with bath adaptor . . . . .	185
Compatibility w/ track layout and accessories . . . . .	141	Usage example . . . . .	186
Competitor and legacy tracks compatibility . . . . .	143	Product information . . . . .	187
Part numbers . . . . .	144	Common parts . . . . .	187
Compatibility with ceiling lifts . . . . .	144	Product dimension . . . . .	188
Safe working load (SWL) . . . . .	144	Easytrack 2 wall brackets . . . . .	189
Competitor & legacy track compatibilities . . . . .	145	Usage example . . . . .	190
<b>Installation components</b> . . . . .	147	Product information . . . . .	191
Tracking components . . . . .	148	Common parts . . . . .	191
Arjo tools . . . . .	149	Product dimension . . . . .	192
Installation hardware . . . . .	150	Easytrack 3 wall brackets . . . . .	193
<b>Portable tracking solutions</b> . . . . .	153	Usage example . . . . .	194
Semi-permanent rack (2-Posts) . . . . .	157	Product information . . . . .	195
Usage example . . . . .	158	Common parts . . . . .	195
Product information . . . . .	159	Product dimension . . . . .	196
Maximum kwiktrak vs. capacity and track size . . . . .	159	Easytrack 1 post with wall bracket . . . . .	197
Common parts . . . . .	159	Usage example . . . . .	198
Product dimension . . . . .	160	Product information . . . . .	199
X-Y Semi-permanent rack (4-Posts) . . . . .	161	Common parts . . . . .	199
Usage example . . . . .	162	Product dimension . . . . .	200
		Easytrack 2 posts with wall bracket . . . . .	201
		Usage example . . . . .	202
		Product information . . . . .	203

Common parts .....	203
Product dimension .....	204

## ACCESSORIES

<b>Maxi Carts</b> .....	209
Overview .....	211
Maxi Cart For Maxi Sky 2 series .....	212
Maxi Cart 2 (for spreader bars) .....	213
Maxi Cart 440 .....	214
Part numbers .....	215
Spare parts for Maxi Cart 440 .....	215
Spare parts for Maxi Cart 440 & Maxi Cart for MS2 .....	215
Product dimension .....	216
Maxi Cart for Maxi Sky 2 Series .....	216
Product dimension .....	217
Maxi Cart 2 (for spreader bars) .....	217
Product dimension .....	218
Maxi Cart 440 .....	218

<b>Privacy curtain solutions</b> .....	219
Swivel pole for curtain .....	221
Part numbers .....	222
Product dimension .....	222

<b>Miscellaneous</b> .....	223
Wall hooks .....	224
Part numbers .....	224
Product dimension .....	224
Weight load test .....	225
Part numbers .....	225

## APPENDIX

Other product categories .....	228
The Arjo expertise .....	229
Arjo care .....	230
Portal for architects and planners .....	231
Youtube videos .....	232
Metric conversions and equivalents .....	233
Glossary .....	234



Page intentionally left blank





At Arjo, we believe that empowering movement within healthcare environments is essential to quality care.

Our products and solutions are designed to promote a safe and dignified experience through patient handling, medical beds, personal hygiene, disinfection, diagnostics, and the prevention of pressure injuries and venous thromboembolism.

With 60 years caring for patients and healthcare professionals, we are committed to driving healthier outcomes for people facing mobility challenges.

# Mobility Gallery

The Mobility Gallery uses colour coded icons from A to E to represent the 5 levels of functional mobility. Each level of mobility is personified in the characters Albert, Barbara, Carl, Doris and Emma.

Mobility, as well as the patients' self-reliance, largely determines the physical assistance someone needs and the physical loads (static and dynamic) on the caregivers. Reduced mobility will result in an increased need for help and eventually more equipment to assist. Without the right equipment, this assistance results in more physical loads for the caregivers.

Good quality of care not only takes the

patient's mobility into account, but also the caregivers' health. Quality of work and quality of care are linked when it comes to mobility. These icons are also used within the Mobility Classification Tool and referenced in the International Standardization Organization Technical Report 2011<sup>1</sup>.

A Ceiling lift such as Maxi Sky 2 can also be used to support Barbara and Carl from Arjo Mobility Gallery, during

rehabilitation activities, such as repositioning in bed, sitting at the edge of the bed and ambulation. Using the ceiling lift with an ambulation sling, for example, combined with a walking frame, can offer additional support and confidence when practising walking and other therapeutic activities. This allows the therapist to focus on guiding the activity, whilst the device supports, reducing the risk for both therapist and patient.



Albert



Barbara



Carl



Doris



Emma

Long term care



Acute care



Bariatric care



Special care



<sup>1</sup> International Standardisation Organisation Technical Report: Ergonomics: manual handling of people in the healthcare sector. TR12296 (2012)

# Infection control

Healthcare-associated infections (HAIs) cause untold suffering to those affected and are a significant source of complications across the continuum of care while being associated with a substantial increase in health care costs.

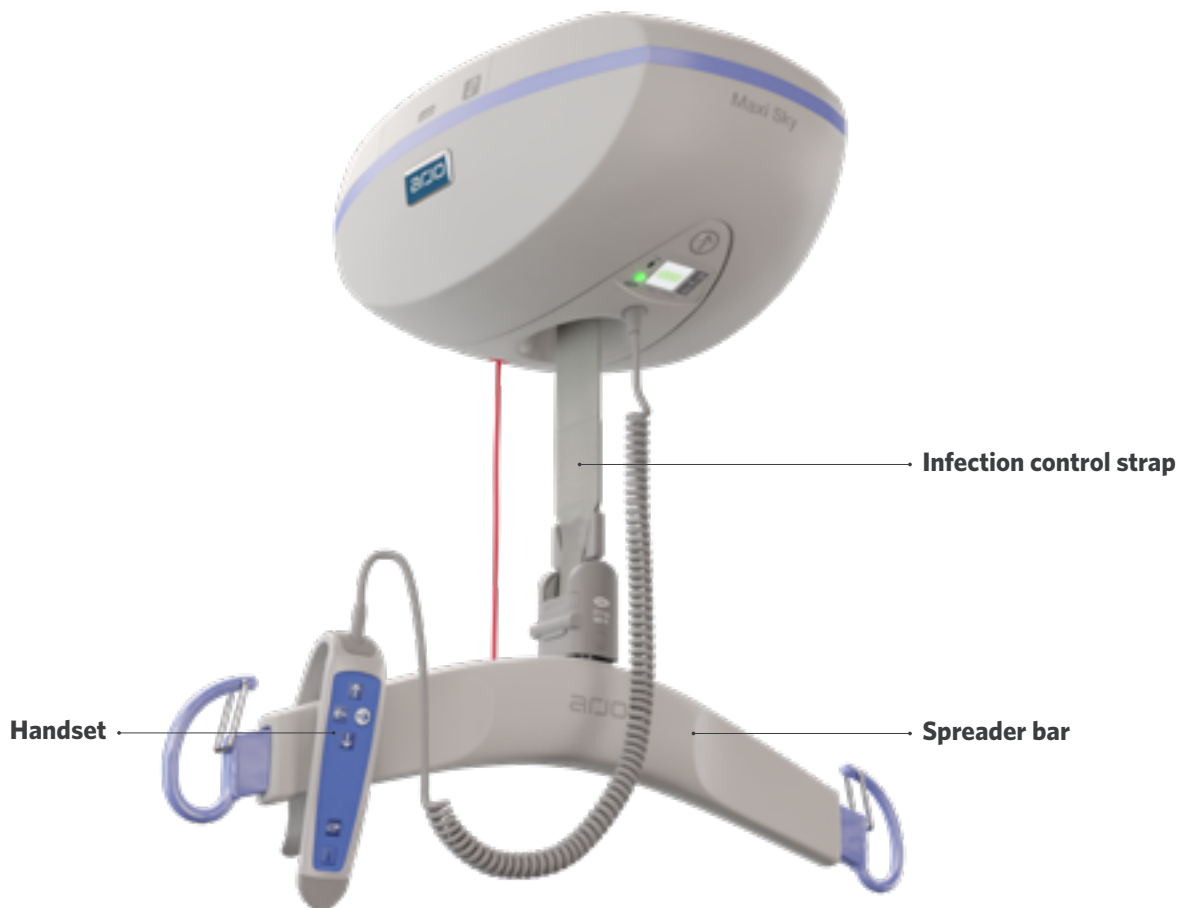
In the healthcare setting, contaminated non-critical medical devices and equipment can play a role in the transmission of potentially harmful microorganisms. Contaminated equipment is touched and microorganisms are transferred onto caregivers hands only to be transferred to another patient or device.

Regular and thorough cleaning of medical devices and equipment disrupts transmission to the caregiver and patient by decreasing the amount of microorganisms

present. This decreases the risk of infection.

While hand hygiene is the single most effective means of decreasing healthcare associated infections, the need for easy, effective cleaning and disinfection of non-critical medical devices and equipment is also important.

Conclusion: A comparison study was conducted to evaluate the effect of disinfection on two different composite materials used as straps in Maxi Sky 2® ceiling lift.



# QR Codes

## Visit the webpage

If you want more information about the products contained within this document, "Visit the webpage" QR Code. please point out the standard Camera application of your mobile device (iOS or Android) to scan it and follow the popup. It will lead you to the Arjo webpage dedicated to the specific product.



Example of The QR Code leads to the Arjo website



## Augmented reality

Some products have a "View in AR" QR Code on their main page. You can apply the same scanning behavior with your Mobile Phone or Tablet, to see the product in Augmented Reality, at scale. Make sure the ambient light in the room is good enough, and point your device to the floor or ceiling to see the model in Augmented Reality.



Example of Arjo Floor Lifters in Augmented Reality

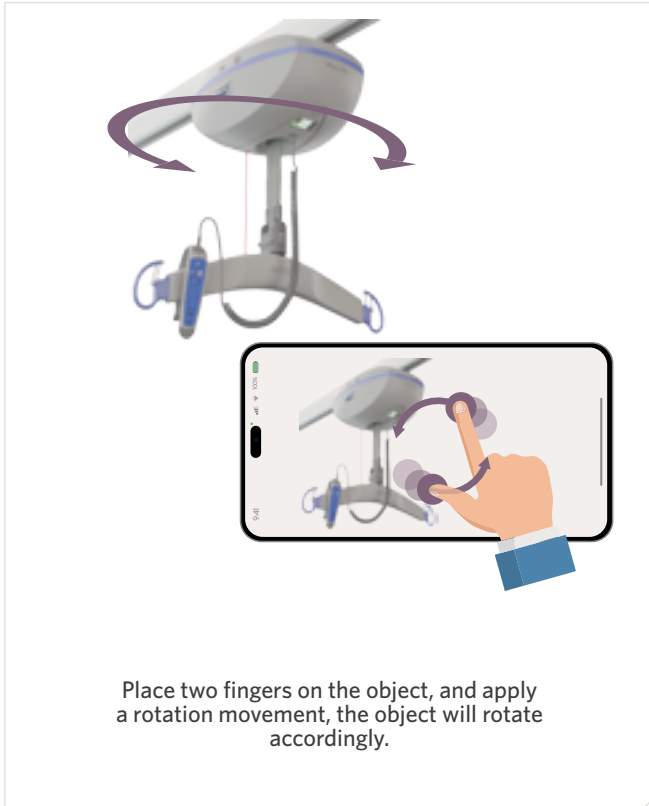


## How to manipulate Augmented Reality (AR) objects

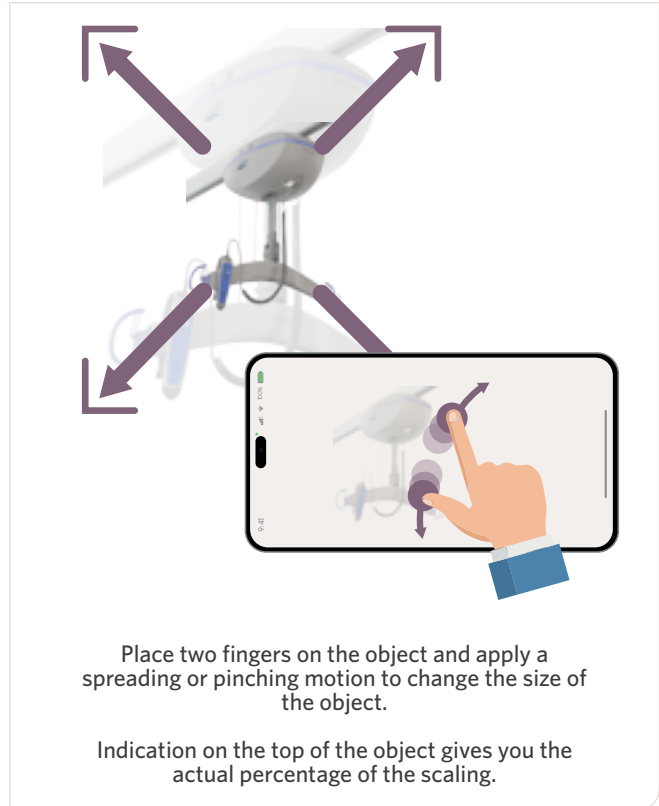
You can move around the product to see details. You can also interact with the product, using intuitive finger movements on your device screen. Thus, you can move the virtual object on a table, modify its size or apply a rotation to it, in order to place it in the correct axis to pass a door, for example.

Note that, at 100%, the virtual object is *approximately* at its real life scale.

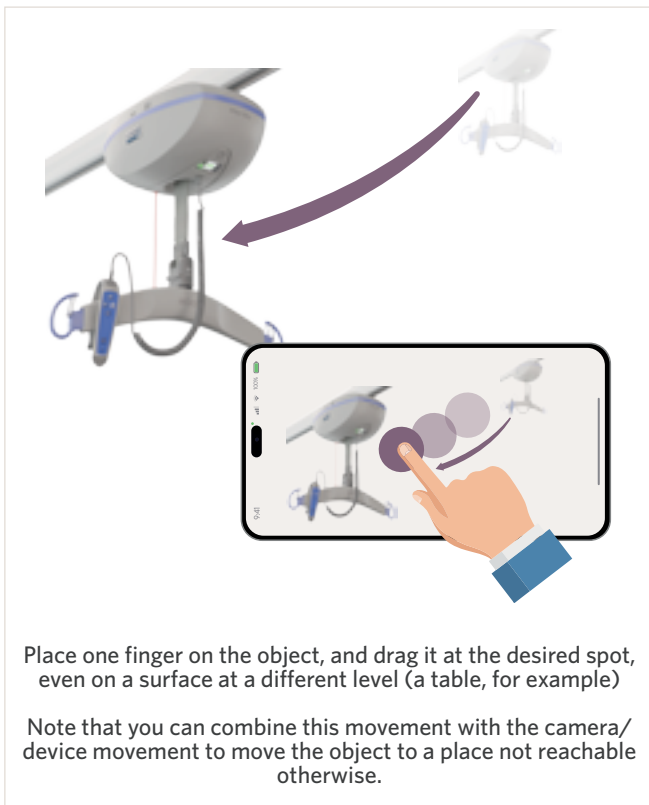
### Rotate



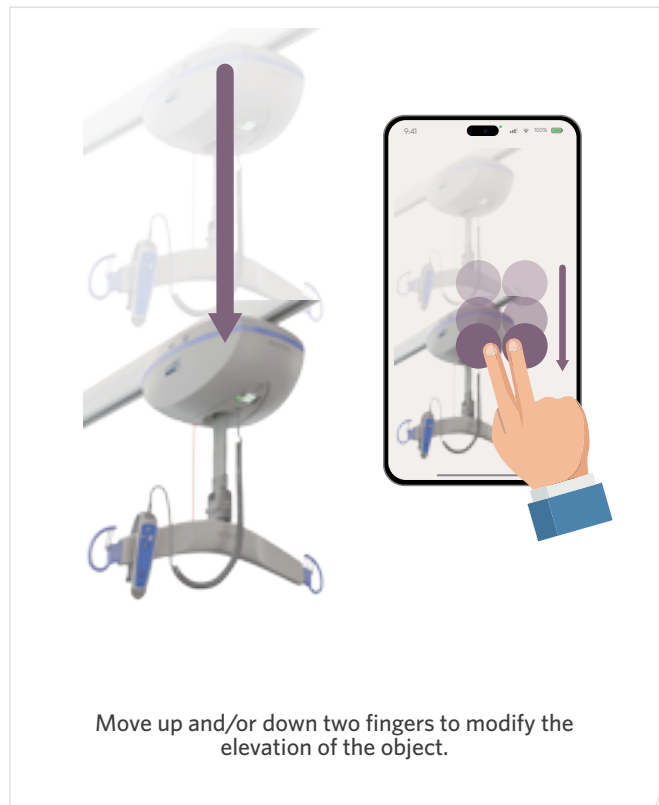
### Scale up/down



### Move



### Modify elevation







# Ceiling lifts

Visit the webpage



Page intentionally left blank



## Fixed ceiling lifts

General patients



Maxi Sky 2 Series

Bariatric patients



Maxi Sky 2 Plus Series

Maxi Sky 1000

## Portable ceiling lifts






General patients








Maxi Sky 440

# Ceiling lift solution chart

## FIXED CEILING LIFT FOR GENERAL PATIENT GROUP

	MAXI SKY 2 INFECTION CONTROL	MAXI SKY 2	MAXI SKY 2 BASIC
<b>GENERAL FEATURES</b>			
Lifting capacity	120 kg (265 lb) 200 kg (440 lb) 272 kg (600 lb)	120 kg (265 lb) 200 kg (440 lb) 272 kg (600 lb)	120 kg (265 lb) 200 kg (440 lb) 272 kg (600 lb)
Unit weight (batteries included)	4-function: 12.7 kg (28 lb) 2-function: 11.4 kg (25 lb)	4-function: 12.7 kg (28 lb) 2-function: 11.4 kg (25 lb)	4-function: 12.7 kg (28 lb) 2-function: 11.4 kg (25 lb)
Scale (External add-on)	•	•	•
Infection control strap	•		
Quick connect spreader bar	•	•	
C-STAT (Dedicated Contact Station)	•	•	•
ECS (Enhanced Charging System)	•	•	
WCS (Wall Charging System)	•	•	
<b>COMPATIBLE TRACK AND TRACK ACCESSORIES</b>			
KWIKtrak 90	•	•	•
KWIKtrak 140	•	•	•
KWIKtrak 180	•	•	•
X-Y System	•	•	•
Gate (power sharing activation)	•	•	•
Turntable (power sharing or manual activation)	•	•	•
Exchanger (power sharing activation)	•	•	•
Wall bracket	•	•	•
Wall posts	•	•	•
KWIKtrak Wall Mount Method	•	•	•
Easytrack			
Easytrack FS	•	•	•
Semi-permanent	•	•	•
<b>COMPATIBLE SPREADER BARS</b>			
2-Point Spreader bar	•	•	•
4-Point Spreader bar	•	•	•
4-Point Manual DPS Spreader bar (Dynamic Positioning System)	•	•	•
4-Point Powered DPS Spreader bar (Dynamic Positioning System)	•	•	
Morgue Stretcher Frame	•	•	•
<b>COMPATIBLE STRETCHER</b>			
Stretcher Frame	•	•	•
Soft stretcher sling	•	•	•
Strap stretcher	•	•	•
<b>SERVICES</b>			
Maxi Smart	○	○	
<b>SLIDING AIDS</b>			
All sliding aids	•	•	•
<b>MOBILITY LEVEL COMPATIBILITY</b>			
 Albert			
 Barbara			
 Carl	•	•	•
 Doris	•	•	•
 Emma	•	•	•

# FIXED CEILING LIFTS FOR BARIATRIC PATIENT GROUP






	MAXI SKY 1000	MAXI SKY 2 PLUS	MAXI SKY 2 PLUS INFECTION CONTROL
<b>GENERAL FEATURES</b>			
Lifting capacity	454 kg (1000 lb)	454 kg (1000 lb)	454 kg (1000 lb)
Unit weight (batteries included)	22 kg (48 lb) Four-function model	51.6 kg (113.5 lb)	51.6 kg (113.5 lb)
Scale (External add-on)	●	●	●
C-Stat (Dedicated Contact Station)	●	●	●
ECS (Enhanced Charging System)	●	●	●
<b>COMPATIBLE TRACK AND TRACK ACCESSORIES</b>			
KWIKtrak 90	●	●	●
KWIKtrak 140	●	●	●
KWIKtrak 180	●	●	●
X-Y System	●	●	●
Gate		●	●
Turntable			
Exchanger			
Wall bracket			
Wall posts			
KWIKtrak Wall Mount Method			
Easytrack			
Easytrack FS			
Semi-permanent	●	○ <sup>3</sup>	○ <sup>3</sup>
<b>COMPATIBLE SPREADER BARS</b>			
2-Point Spreader bar	●	● <sup>1</sup>	● <sup>1</sup>
4-Point Spreader bar	●	● <sup>1,2</sup>	● <sup>1,2</sup>
4-Point Manual DPS Spreader bar (Dynamic Positioning System)		● <sup>1</sup>	● <sup>1</sup>
4-Point Powered DPS Spreader bar (Dynamic Positioning System)		● <sup>1</sup>	● <sup>1</sup>
Morgue Stretcher Frame	●	● <sup>1</sup>	● <sup>1</sup>
<b>COMPATIBLE STRETCHER</b>			
Stretcher Frame	●	●	●
Soft stretcher sling	●	●	●
Strap stretcher	●	●	●
<b>SERVICES</b>			
Maxi Smart		○	○
<b>SLIDING AIDS</b>			
All sliding aids	●	●	●
<b>MOBILITY LEVEL COMPATIBILITY</b>			
 Albert			
 Barbara			
 Carl	●	●	●
 Doris	●	●	●
 Emma	●	●	●

● = Available  
○ = Optional  
Empty = Not available

<sup>1</sup> In single mode (with Safe Working Load of 272 kg (600 lb)).  
<sup>2</sup> In dual mode.  
<sup>3</sup> Available for representatives. Not to be used to lift people.

General Note: Product and accessories availability may vary depending on your region.

## PORTABLE CEILING LIFTS

MAXI SKY 440	
<b>GENERAL FEATURES</b>	
Lifting capacity	200 kg (440 lb)
Unit weight (batteries included)	6.35 kg (14 lb)
Scale adaptor	•
Cable charging	•
<b>COMPATIBLE TRACK AND TRACK ACCESSORIES</b>	
KWIKtrak 90	•
KWIKtrak 140	•
KWIKtrak 180	•
X-Y System	•
Gate	
Turntable	Manual pull cord
Exchanger	
Wall bracket	•
Wall posts	•
KWIKtrak Wall Mount Method	•
Easytrack	•
Easytrack FS	•
Semi-permanent	•
<b>COMPATIBLE SPREADER BARS</b>	
2-Point Spreader bar (Integrated)	•
<b>SLIDING AIDS</b>	
All sliding aids	•
<b>MOBILITY LEVEL COMPATIBILITY</b>	
 Albert	
 Barbara	
 Carl	•
 Doris	•
 Emma	•

# Fixed ceiling lifts



Page intentionally left blank



## CHARGING METHODS

### Contact Station (C-Stat)



The ceiling lift charges only when it is connected to a dedicated charging station, located on the track path. Therefore you have to return the ceiling lift back to its charging station in order to charge.

### Enhanced Charging System (ECS)



The charge anywhere along the track path solution, is more convenient but is not compatible with the KWIKtrak tracking accessories like the Turntable, Gate, or Exchanger. With embedded track installations, the ECS solution is mandatory. (See Ceiling Lift Solution Chart for ceiling lift type compatibilities)



### Wall Charging System (WCS)

In the specific case of the installation of Maxi Sky 2 into certain KWIKtrak tracking configurations and competitor or legacy tracking systems, we offer the Wall Charging Solution (WCS).

It consists of a Maxi Sky 2 with an adapted trolley, and a kit, including a wall charger, an adapter and a wall hook. It is fully compatible with both straight tracks and X-Y systems, with an evolving numbers of competitor tracks.

#### Notes:

-For more information about compatible competitor and legacy tracks, please refer to the *Competitor and legacy* tracking section.

-For compatibilities and ceiling lift part numbers, please refer to the corresponding ceiling lifts section.

## SPREADER BAR ATTACHMENT

The spreader bar features an attachment which allows the caregiver to change it in a few steps without using any tools. We propose two different options, depending on the selected ceiling lift:

### Quick Connect

Ideal when interchange the spreader bar for different clinical needs, the Quick Connect systems is done in 3 simple steps.



### Standard connect (Clevis pin and split ring solution)

When it is not required to interchange spreader bars frequently.



# MAXI SMART

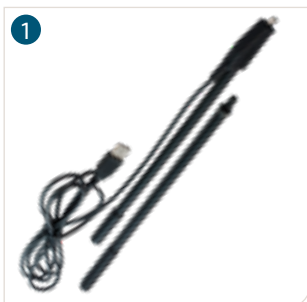


The Maxi Smart™ service is an intelligent software addition to your Maxi Sky 2 ceiling lift system. With MaxiSmart you can now maximize the usage of your lifts, increase the cost-effectiveness of your investment, ensure better usage planning and plan your resources better.

For Maxi Smart, contact your local Arjo marketing department

## PART NUMBERS

























ARTICLE #	NAME
1 700-15755	USB Cable overmold (Wand)



## COMPATIBILITY WITH CEILING LIFTS

CEILING LIFTS	COMPATIBILITY
Maxi Sky 440	
Maxi Sky 2	•
Maxi Sky 2 Infection control	•
Maxi Sky 2 Basic	
Maxi Sky 1000	
Maxi Sky 2 Plus Series	•

# Spreader bar compatibility

	Maxi Sky 2 (Series) & Maxi Sky 2 Plus (Single mode)	Maxi Sky 2 Basic	MaxiSky 1000	Maxi Sky 2 plus (Dual mode)	Maxi Sky 2 plus Infection Control (Dual mode)
2-hook	 700-19415 700-19420 700-19470	 700-05461	 700-05401	N/A	N/A
4-hook	 700-19430	 700-05443	 700-05441	 700-31240	 700-31252
Flat DPS manual	 700-19475	 700-19200	N/A	N/A	N/A
Open DPS manual	 700-19480	 700-19340	N/A	N/A	N/A
Powered DPS medium	 700-19350 (Not compatible with WCS MS2)	N/A	N/A	N/A	N/A
Powered DPS large	 700-19355 (Not compatible with WCS MS2)	N/A	N/A	N/A	N/A
Stretcher frame	 700-15695	 700-19522	N/A	N/A	N/A
Morgue stretcher	 700.05382 & 700.05387	 700.05380 & 700.05385	 700.05389	N/A	N/A
Scale	 Standard Class III 700-19485 700-19490	 Standard Class III 700-00511 700-00531	 Standard Class III 700-00526 700-00536	 Standard Class III 2x 700-19485 2x 700-19490	 Standard Class III 2x 700-19485 2x 700-19490

# Infection control

Our complete range of Maxi Sky ceiling lifts is designed to integrate with your care environment, helping to ensure a safe, comfortable and dignified experience for everyone involved. The ceiling lifts are installed, stored and operated so that a single caregiver can transfer patients or residents smoothly without any manual lifting, thereby helping to reduce the risk of injury for themselves and the person in their care.




You minimise the risks and associated burdens of cross infection in ceiling lift transfers.

Supports an optimized ceiling lift cleaning and disinfection process.

Non-porous components are the lifting strap, emergency cord and spreader bar. Intuitive user interface LCD interface provides instant and clear feedback on the state of the lift.

## WHAT CLEANING SOLUTIONS TO USE ?

Whenever you see this symbol in the next pages, refer to this table to find out which cleaning solutions can be used.

DISINFECTION AGENTS COMPATIBILITY				
Quaternary Ammonium	≤ 0.21% (2100 ppm)	•	•	•
Isopropyl Alcohol	≤ 70%	•	•	•
Phenolic	≤ 1.56% (15600 ppm)	•	•	•
Bleach <sup>1</sup>	≤ 1%		•	•
Paracetic Acid <sup>1</sup>	≤ 0.25%			•
Hydrogen Peroxide <sup>1</sup>	≤ 1.5%			•

<sup>1</sup> If the spreader bar cover is made of vinyl, do not use these disinfection agents.

Page intentionally left blank



# Maxi Sky 2 Series

Page intentionally left blank



# OVERVIEW

The Maxi Sky 2 Series is offered in three different versions.



Maxi Sky 2 Infection Control



Maxi Sky 2



Maxi Sky 2 Basic

Page intentionally left blank



# Maxi Sky 2 Infection Control & Maxi Sky 2

A complete and intuitive patient handling solution

## Arjo Mobility Gallery



C

C. Able to partially bear weight on at least one leg. Uses a wheelchair for moving a distance.



D

D. Unable to weight bear through feet. Is able to sit if well supported.



E

E. Difficulty maintaining sitting hence might remain lying/partially lying in bed

 View in AR



Visit the webpage



# KEY FEATURES

**Charging method**

Enhanced Charging System (ECS),  
dedicated Charging Station (C-Stat),  
or Wall Charging System (WCS)

**USB port access**

**Auxiliary buttons**

Lowering and raising  
auxiliary buttons

**Emergency stop**

**Lifting strap**

Maxi Sky 2: Woven nylon lifting strap  
Maxi Sky 2 Infection Control: non porous lifting strap

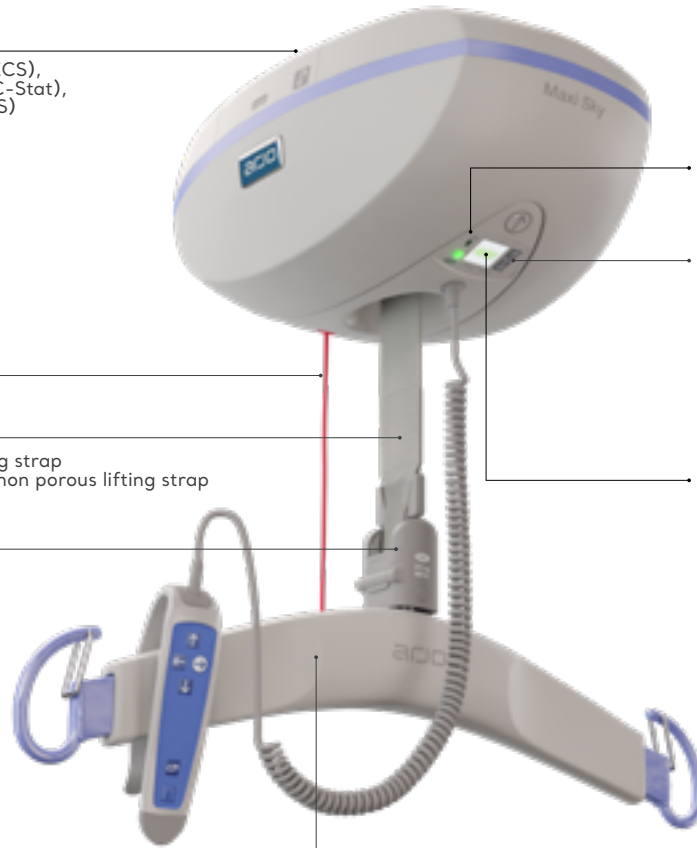
**Quick Connect**

**Control panel with LCD screen**

Interactive screen displaying  
information such as total lifts,  
maintenance and malfunction  
indicator.

**Spreader bar**

Depending on Series type



Illustrated model:  
Maxi Sky 2 Infection Control



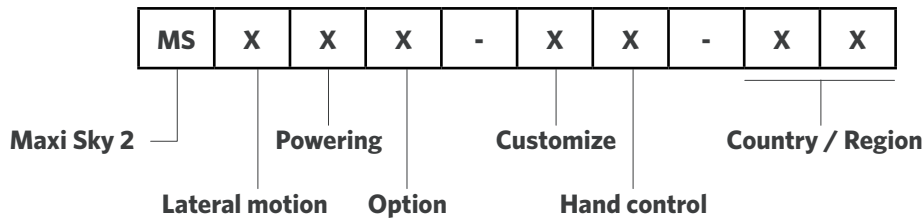
Maxi Sky 2 Infection Control



# PRODUCT INFORMATION

GENERAL	
Weight, complete (Four-function model)	12.3kg (27 lb)
Weight, complete (Two-function model)	11.6kg (26 lb)
Operating force of control	< 5 N
Lifting capacity	120kg (265 lb), 200kg (440 lb), 272kg (600 lb)
Strap length	2500 mm (98.4")
Lifting speed	5.1 cm/sec (2.0") without load 4.2 cm/sec (1.7") at 120 kg (265 lb) 3.8 cm/sec (1.5") at 200 kg (440 lb) 3.3 cm/sec (1.3") at 272 kg (600 lb)
Maximum stroke (from ceiling)	2300 mm (90.6")
Adjustable horizontal displacement speeds	10, 15, 20 cm/sec. (4, 6, 8"/sec.) Preset at 20 cm/sec (8"/sec.)
ELECTRICAL	
Duty cycle	Up/Down Motor: Max 10%, 2 minutes continuously Left/Right Motor: Max 20%, 5 minutes continuously Sit/Reclined Motor: Max 10%, 2 minutes continuously
Charging method compatible	Contact station, ECS and WCS
Horizontal axis motor	24 VDC, 62 watts
Vertical axis motor	24 VDC, 360 watts for 2 minutes max.
Noise level for either raising or lowering	max. 61 dBA max. (with or without load)
Rating	24 VDC 15 A
Medical equipment	Type BF protection against electrical shock in accordance with IEC60601-1
Battery type	2X 12 V, 5 Ah, sealed rechargeable valve regulated lead acid battery
Battery capacity	Provides up to 120 transfers with a load of 100kg (220 lb), up to 32 transfers with a load of 272 kg (600 lb), up to 70 transfers with a load of 200kg (440 lb)
Battery Autonomy	Provides up to 120 transfers with a load of 100 kg (220 lb), up to 70 transfers with a load of 200 kg (440 lb) , 32 transfers with a load of 272kg (600 lb)
Battery Charger input	100-240 VAC 50-60 Hz
Battery Charger output	28.1 VDC 1 A max
Battery Charger safety protection	Class 2, double insulated 28.1 VDC 1 A max
Low battery indicator	Audible, visual LED and battery status on LCD screen
Charging indicators	Blinking green LED and battery scrolling symbol on screen
Degree of protection	IP24 (lift), IPX7 (Handcontrol)
Lift - protection class	Shock prevention Internally powered equipment
Electronic microprocessor	Soft-start and stop motor control
Maintenance required indicator	Visual LED, symbol and code on LCD screen
Noise level for either raising or lowering, with or without load.	61 dBA max.
ABS fire retardant	V0
SAFETY FEATURES	
Auxiliary up and down emergency buttons	Located on the motor cab
Emergency stopping device (pull cord) accessible from the ground	Stop all electric functions
Manual emergency lowering device	Located on the motor cab
Emergency brake	Triple centrifugal emergency brake system
Return to charge function	Weight sensor cut-out initiated by user (optional)
Compliant with:	ISO10535:2006, IEC60601-1:2005, ISO 10535, UL 60601, IEC 60601, CSA 10535, EN 45501, EUMDR, CE

# PRODUCT NOMENCLATURE



LATERAL MOTION:	
0	2 function
1	4 function
2	2 function Up/down electrical motor brake (see note 6)
4	4 function Up/down electrical motor brake (see note 6)

POWERING:	
0	ECS, Enhanced Charging System (see note 1)
1	CSTAT, Charger Station
2	WCS, Wall Charging System (see note 4)
3	ECS for gate layouts

OPTION:	
0	None
1	Radius wheels (see note 2)
2	Narrow wheels (see note 3)
3	PCB with conformal coating
4	Without Quick connect
5	Infection control
6	Infection control +PCB with conformal coating

HAND CONTROL:	
0	No hand control
1	Regular
2	Regular with DPS control (see note 1)

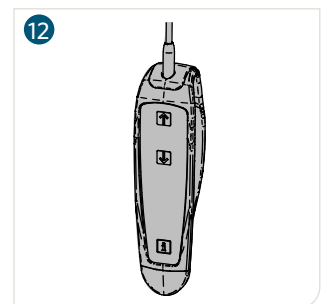
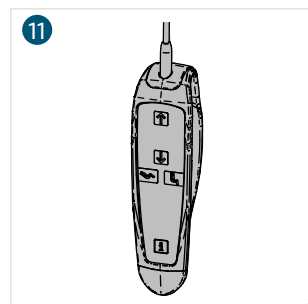
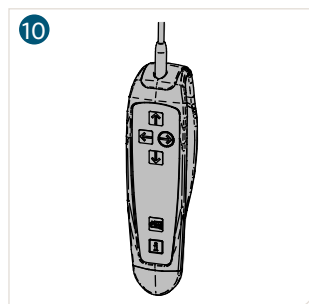
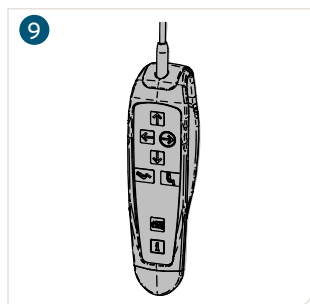
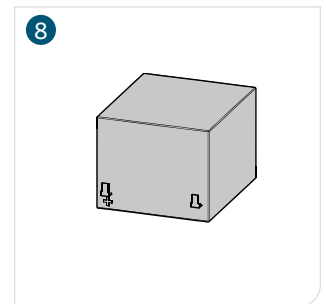
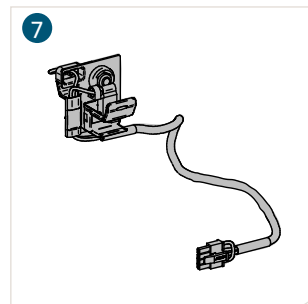
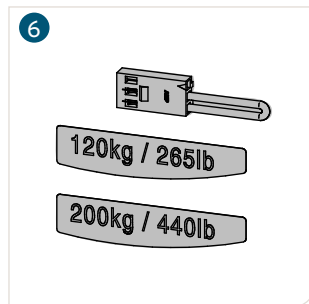
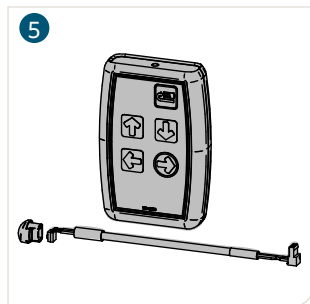
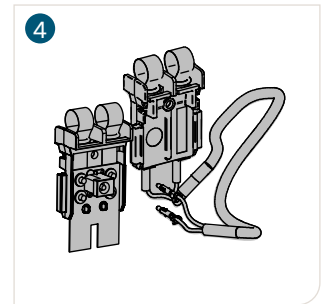
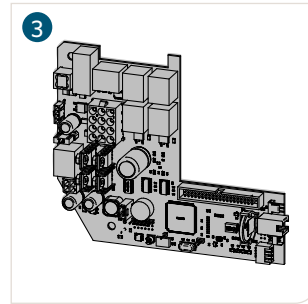
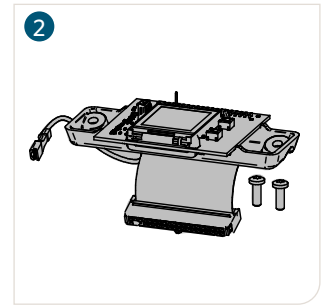
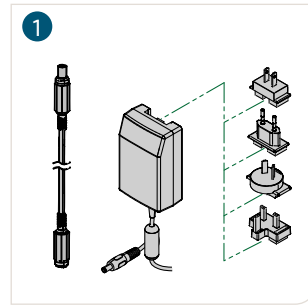
CUSTOMIZE:	
0	None
1	Maxi Sky 2 Plus
2	Extended trolley
A	Bravo
B	BHM old track
E	Bianca
G	GTM
L	Liko
M	Marka track
N	Innomedic
P	Paramedic
Q	Guldmann GH2
R	Guldmann GH3
S	Midi (see note 5)
T	THE (Single high)
V	Waverley Glen (Supertrack)
W	Waverley Glen (Regular track)

COUNTRY/REGION:									
00	Central W.H.	12	Poland	24	Slovakia	36	Greece	48	Algeria
01	U.S.A.	13	China	25	Austria	37	Hungary	49	Vietnam
02	Canada	14	Middle East	26	Hong Kong	38	Israël	50	Iran
03	Belgium	15	Portugal	27	Singapore	39	Lativa	51	Libya
04	Switzerland	16	Norway	28	Japan	40	Romania	52	Taiwan
05	Germany	17	Czech Republic	29	Korea	41	Saudi Arabia	53	Serbia
06	France	18	Denmark	30	India	42	Thailand	54	Seychelles
07	Netherlands	19	Lithuania	31	South Africa	43	Bosnia-Herzegovina	55	Middle America
08	United Kingdom	20	Russia	32	Nigeria	44	U.A.E	56	Croatia
09	Italy	21	Turkey	33	Brazil	45	Slovenia	98	Europe
10	Spain	22	Australia	34	Scandinavia	46	Bulgaria	99	International
11	Sweden	23	New Zealand	35	Finland	47	Ecuador	N/A	Europe + UK

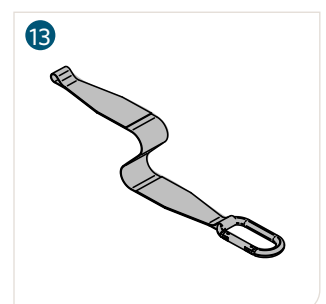
General Note: Product and accessories availability may vary depending on your country/region.  
 Note 1: These options are available only with customize Options "0" and "P".  
 Note 2: These options are only available with customize Options "G", "V" and "W".  
 Note 3: These options are only available with customize Option "T".  
 Note 4: These options are only available with hand control "0" and "1".  
 Note 5: These options are only available with lateral motion option "0".  
 Note 6: Available only for country/region 01

# COMMON PARTS

ARTICLE #	DESCRIPTION
1 <b>700-15511</b>	Universal charger for KWIKtral track
2 <b>700-15720</b>	LCD circuit kit (with prog)
2 <b>700-15741</b>	LCD circuit kit (with prog) + CC
3 <b>700-15701</b>	Main PCB kit - Regular
3 <b>700-15692</b>	Main PCB kit - Coated
4 <b>700-15706</b>	Contact blade kit
5 <b>700-15724</b>	Infra-red
6 <b>700-15705</b>	SWL kit
7 <b>700-15707</b>	ECS kit
8 <b>403.10500</b>	12V 5Ah batteries
9 <b>700-13841-B</b>	Hand control for 4-Function Unit with DPS
10 <b>700-13842-B</b>	Hand control for 4-Function Unit
11 <b>700-13861-B</b>	Hand control for 2-Function Unit with DPS
12 <b>700-13862-B</b>	Hand control for 2-Function Unit
13 <b>700-14030</b>	1-Meter coated strap extension



<sup>1</sup> "XX" corresponds to the country code:  
 01 = United States & Canada (US/CA)  
 08 = United Kingdom (UK)  
 22 = Australia (AU)  
 98 = Europe (EU)





## COMPATIBILITY WITH TRACKING SYSTEMS

KWIKTRAK LAYOUTS	COMPATIBILITY
Suspended tracks	●
Embedded tracks	●
Wall to wall	●
X-Y system	●
Turntable (automatic)	●
Turntable (manual)	●
Exchanger	●
Gate	●

KWIKTRAK LAYOUTS	COMPATIBILITY
Curtain gap	● <sup>1</sup>
Curve (standard)	●
Curve (large)	●
MS2 Transportable (ECS & C-Stat)	●
Easytrack	
Easytrack FS	● <sup>2</sup>
Semi-permanent	●

<sup>1</sup> With special trolley

<sup>2</sup> Easytrack FS, rep version only

## MAXI SKY 2 TRANSPORTABLE

The ceiling lift relocation accessory allows Maxi Sky 2 ceiling lift to be easily removed from its current location and transported to another room that is also equipped with a receiving module.

ARTICLE #	DESCRIPTION
1 <b>700-31409</b>	C-Stat conversion kit
2 <b>700-31405</b>	ECS conversion kit
3 <b>700-31400-XX<sup>1</sup></b>	C-Stat receiving module kit
4 <b>700-31401-XX<sup>1</sup></b>	ECS receiving module kit
5 <b>700-31421-XX<sup>1</sup></b>	Curtain gap receiving module kit



## Maxi Sky 2 Transportable compatibility KWIKtrak accessories

KWIKTRAK LAYOUTS	COMPATIBILITY
Suspended tracks	●
Embedded tracks	● <sup>1</sup>
Wall to wall	●
X-Y system	● <sup>3</sup>
Turntable (automatic)	● <sup>2</sup>
Turntable (manual)	● <sup>2</sup>
Exchanger	● <sup>2</sup>

KWIKTRAK LAYOUTS	COMPATIBILITY
Gate	● <sup>3</sup>
Curtain gap	● <sup>2</sup>
Curve (standard)	● <sup>3</sup>
Curve (large)	●
Easytrack	●
Easytrack FS	●
Semi-permanent	●

<sup>1</sup> ECS receiving module only

<sup>2</sup> Vary, depending on model and X-Y configuration

<sup>3</sup> C-Stat receiving module only

The Maxi Sky 2 Transportable accessory is often offered with the Cart for Maxi Cart 2. For more information about it, please refer to the Accessories chapter in this document.














## SCALES

ARTICLE #	DESCRIPTION
1 <b>700-19485</b>	Scale Unit/ 272 kg (600 lb) Quick Connect
2 <b>700-19490</b>	Scale Unit/ 272 kg (600 lb) Class III <sup>1</sup> Quick Connect

<sup>1</sup> Class III scales shall be calibrated by a notified body, prior to put into service.



## COMPATIBLE SPREADER BARS

	ARTICLE #	DESCRIPTION	DISINFECTION AGENTS
	<b>700-19420</b>	Carry Bar 2-hook small	
	<b>700-19470</b> <b>700-19465</b> (US market only)	Infection Control spreader bar 2-hook	
	<b>700-19415</b> <b>700-19435</b> (US market only)	Spreader bar MS2 2-hook	 1 With vinyl cover  3 Without vinyl cover
	<b>700-19430</b>	Carry bar 4-hook	
	<b>700-19475</b>	DPS flat Manual	



**700-19480**

DPS manual open medium



**700-19350**

Spreader bar Powered DPS (PDPS) 4-point clip open medium Quick Connect  
(Not compatible with WCS)



**700-19355**

Powered Large DPS  
(Not compatible with WCS)



**700-15695**

Stretcher 272 kg (600 lb)



**700-05382**

Morgue spreader bar  
(Standard bands included)

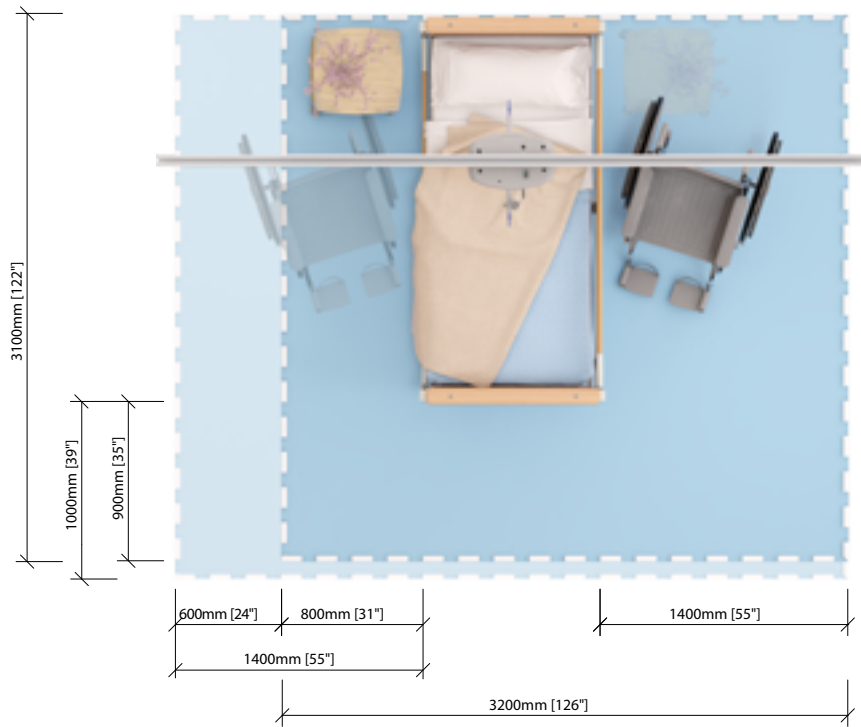


**700-05387**

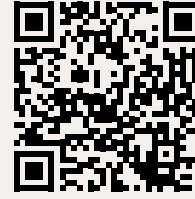
Morgue spreader bar  
(Long bands included)



## SPACE REQUIREMENTS



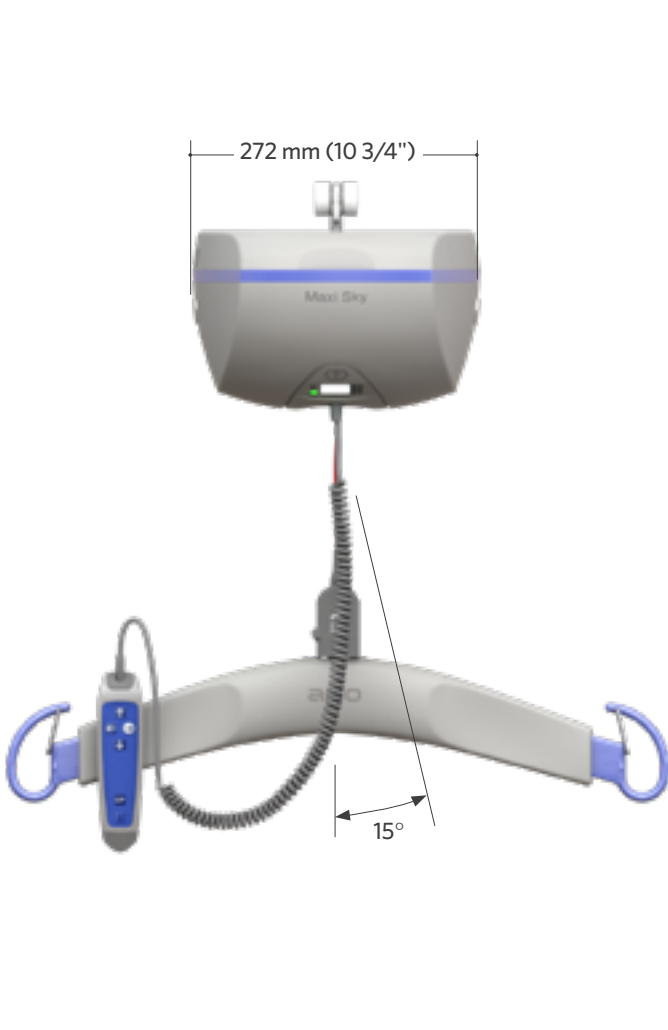
For more information about Space requirement, consult the Arjo Guide for Architects and Planners website.



- Blue area shows the minimum working area required for the staff to be able to use the floor lifter in an ergonomic way from one side.
- Light blue area shows required extension of working area to facilitate activities from either side to provide adequate access for the patient, floor lifter and assisting carer.

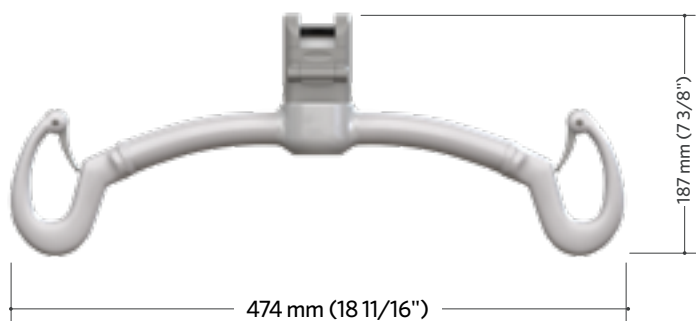
# PRODUCT DIMENSIONS

## Maxi Sky 2 & Maxi Sky 2 Infection Control



## 2-point spreader bar (Small)

700-19420



Weight: 2,5 kg (5,5 lb)

## Infection Control 2-point spreader bar

700-19470

700-19465 (US market only)

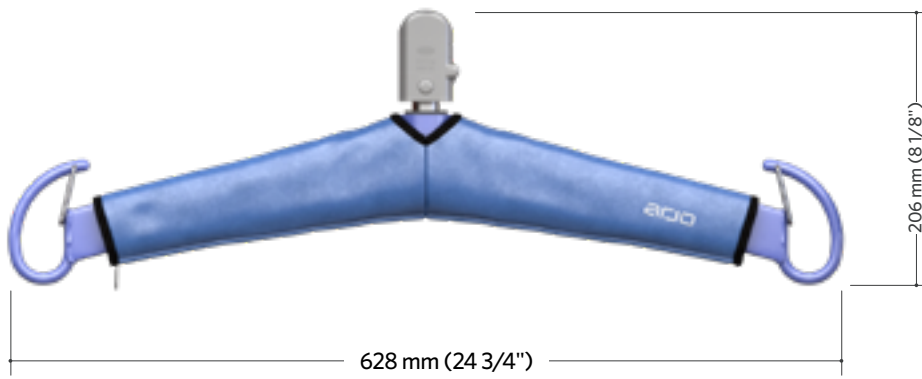


Weight: 1,5 kg (3,3 lb)

## 2-point spreader bar

700-19415

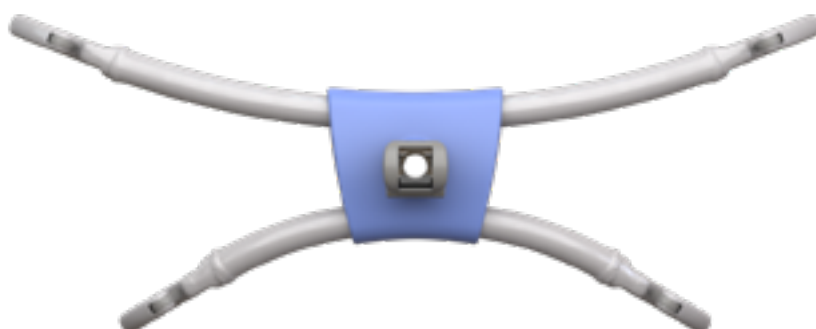
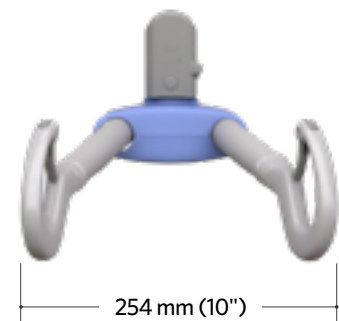
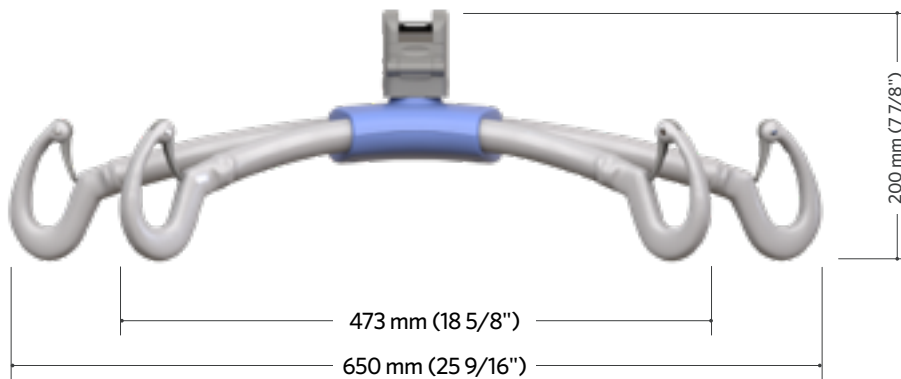
700-19435 (US market only)



Weight: 1,5 kg (3,3 lb)

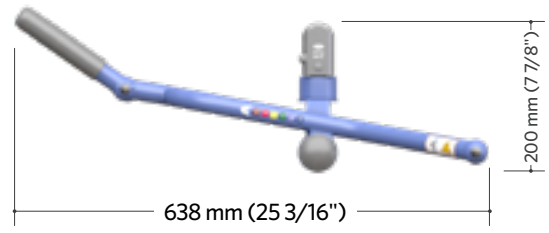
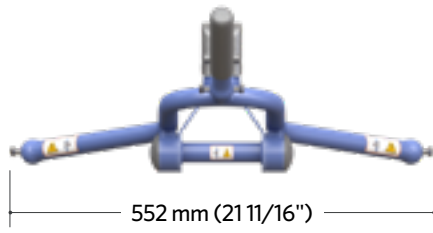
## 4-point spreader bar

700-19430



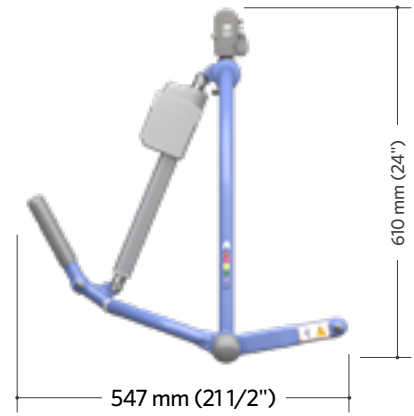
Weight: 4,4 kg (9,7 lb)

**Flat DPS**  
700-19475



Weight: 3,4 kg (7,5 lb)

**Powered DPS (Medium)**  
700-19350

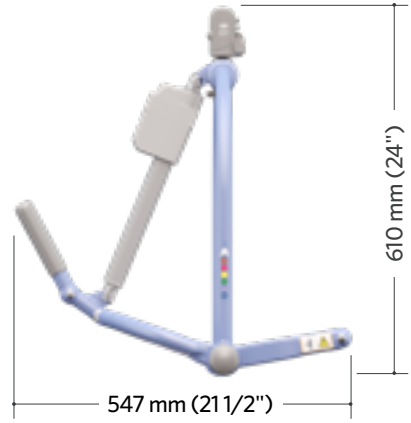


Weight: 7,9 kg (17,4 lb)



## Powered DPS (Large)

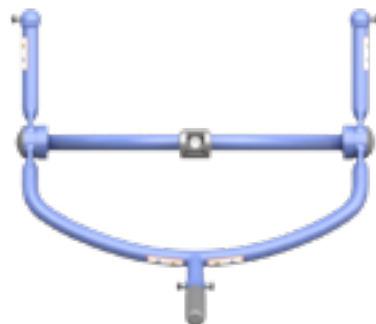
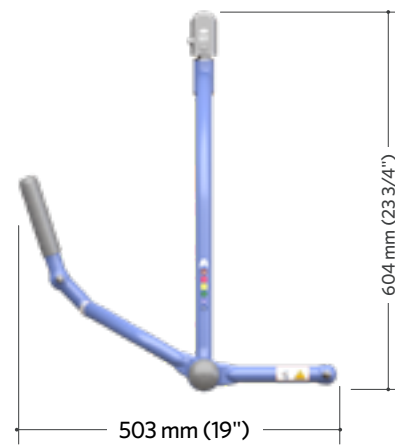
700-19355



Weight: 7,9 kg (17,4 lb)

## DPS manual open (Medium)

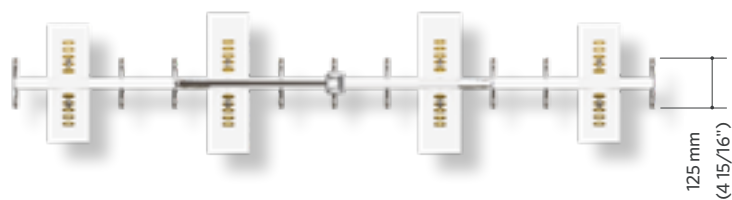
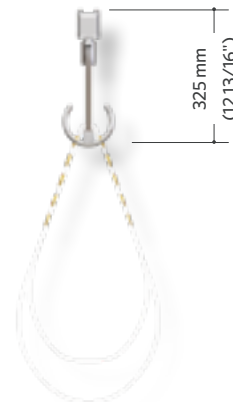
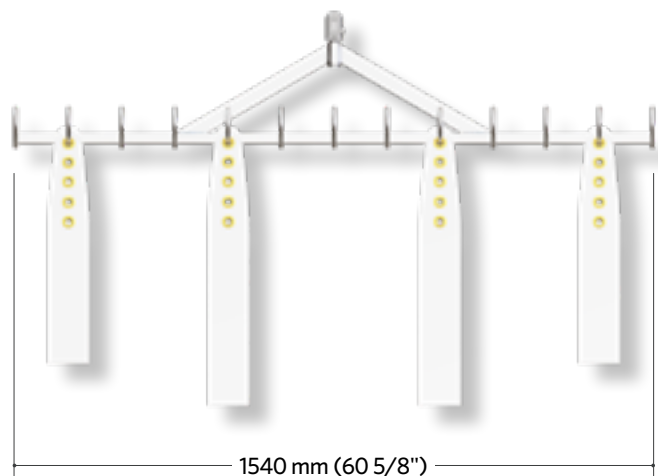
700-19480



Weight: 5,7 kg (12,5 lb)

## Morgue stretcher bar

700.05382 & 700.05387



### Dimension:

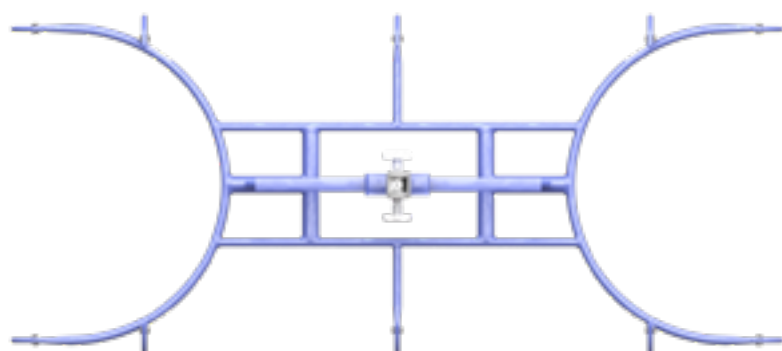
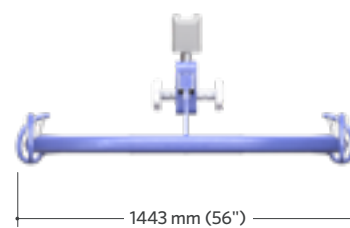
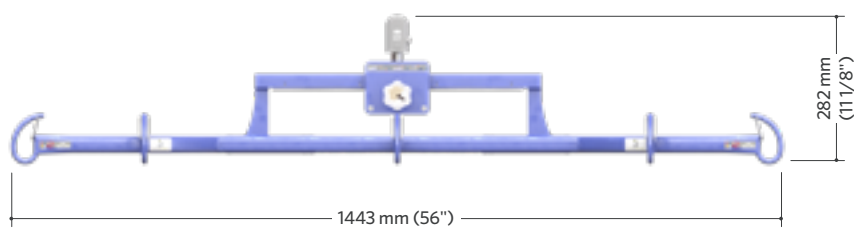
Standard bands kit (#700.05382):  
2x 1194mm (47") & 2x 1448 (57")

Long bands kit (#700.05387):  
2x 1194mm (47") & 2x 1829mm (72")

**Weight** (Stretcher frame only):  
8,9 kg (19,5 lb)

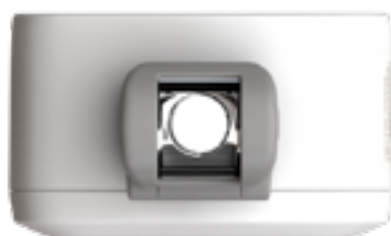
## Stretcher frame

700-15695



Weight: 10 kg (22,2 lb)

**Scale unit**  
700-19485



Note: Class III scales shall be calibrated by a notified body prior to put into service.

**Maxi Sky 2 IC with Transportable receiving module**



Illustrated model: Maxi Sky 2

Page intentionally left blank



# Maxi Sky 2 Basic

Part of Maxi Sky 2 Series

## Arjo Mobility Gallery



C



D



E

C. Able to partially bear weight on at least one leg. Uses a wheelchair for moving a distance.  
D. Unable to weight bear through feet. Is able to sit if well supported.  
E. Difficulty maintaining sitting hence might remain lying/partially lying in bed

Visit the webpage



# KEY FEATURES

**Charging method**

Dedicated charging station (C-Stat)

**USB port access**

**Auxiliary buttons**

Lowering and raising auxiliary buttons.

**Control panel with LCD screen**

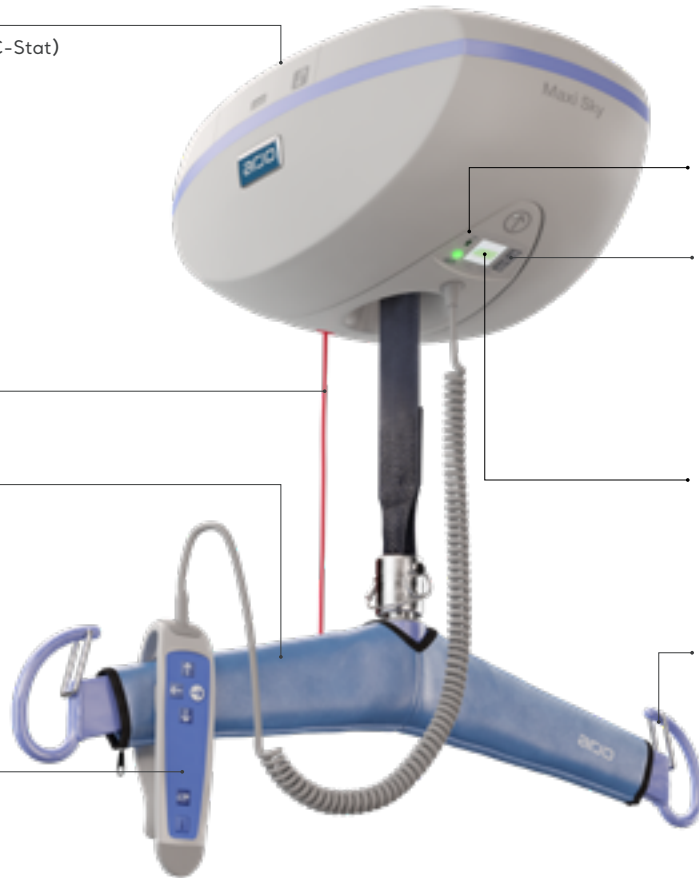
Interactive screen displaying information such as total lifts, maintenance and malfunction indicator.

**Optional Spreader bars with loop latches**

**Emergency stop**

**Spreader bar**

**IPX7 handset**

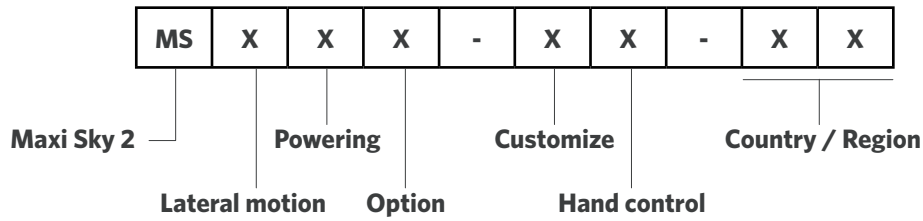


Maxi Sky 2 basic with Maxi Sky transportable C-Stat

## PRODUCT INFORMATION

GENERAL	
Weight, complete (Four-function model)	12.3 kg (27 lb)
Weight, complete (Two-function model)	11.6 kg (26 lb)
Operating force of control	< 5 N
Lifting capacity	120 kg (265 lb), 200 kg (440 lb), 272 kg (600 lb)
Strap length	2500 mm (98.4")
Lifting speed	5.1 cm/sec (2.0") without load 4.2 cm/sec (1.7") at 120 kg (265 lb) 3.8 cm/sec (1.5") at 200 kg (440 lb) 3.3 cm/sec (1.3") at 272 kg (600 lb)
Maximum stroke (from ceiling)	2300 mm (90.6")
Adjustable horizontal displacement speeds	10, 15, 20 cm/sec. (4, 6, 8"/sec.). Preset at 20 cm/sec (8"/sec.)
ELECTRICAL	
Duty cycle	Up/Down Motor: Max 10%, 2 minutes continuously Left/Right Motor: Max 20%, 5 minutes continuously Sit/Reclined Motor: Max 10%, 2 minutes continuously
Charging method compatible	Contact station
Horizontal axis motor	24 VDC, 62 watts
Vertical axis motor	24 VDC, 360 watts for 2 minutes max.
Noise level for either raising or lowering	max. 61 dBA max. (with or without load)
Rating	24 VDC 15 A
Medical equipment	Type BF protection against electrical shock in accordance with IEC60601-1
Battery type	2X 12 V, 5 Ah, sealed rechargeable valve regulated lead acid battery
Battery capacity	Provides up to 120 transfers with a load of 100 kg (220 lb), up to 32 transfers with a load of 272 kg (600 lb), up to 70 transfers with a load of 200 kg (440 lb)
Battery Autonomy	Provides up to 120 transfers with a load of 100 kg (220 lb), up to 70 transfers with a load of 200 kg (440 lb), 32 transfers with a load of 272 kg (600 lb)
Battery Charger input	100-240 VAC 50-60 Hz
Battery Charger output	28.1 VDC 1 A max
Battery Charger safety protection	Class 2, double insulated 28.1 VDC 1 A max
Low battery indicator	Audible, visual LED and battery status on LCD screen
Charging indicators	Blinking green LED and battery scrolling symbol on screen
Degree of protection	IP24 (lift), IPX7 (Handcontrol)
Lift - protection class	Shock prevention Internally powered equipment
Electronic microprocessor	Soft-start and stop motor control
Maintenance required indicator	Visual LED, symbol and code on LCD screen
Noise level for either raising or lowering, with or without load.	61 dBA max.
ABS fire retardant	V0
SAFETY FEATURES	
Auxiliary up and down emergency buttons	Located on the motor cab
Emergency stopping device (pull cord) accessible from the ground	Stop all electric functions
Manual emergency lowering device	Located on the motor cab
Emergency brake	Triple centrifugal emergency brake system
Return to charge function	Weight sensor cut-out initiated by user (optional)
Compliant with:	ISO10535:2006, IEC60601-1:2005, ISO 10535, UL 60601, IEC 60601, CSA 10535, EN 45501, EUMDR, CE

# PRODUCT NOMENCLATURE



LATERAL MOTION:	
0	2 function
1	4 function
2	2 function Up/down electrical motor brake
4	4 function Up/down electrical motor brake

POWERING:	
0	ECS, Enhanced Charging System (see note 1)
1	CSTAT, Charger Station
2	WCS, Wall Charging System (see note 4)
3	ECS for gate layouts

OPTION:	
0	None
1	Radius wheels (see note 2)
2	Narrow wheels (see note 3)
3	PCB with conformal coating
4	Without Quick connect
5	Infection control
6	Infection control +PCB with conformal coating

HAND CONTROL:	
0	No hand control
1	Regular
2	Regular with DPS control (see note 1)

CUSTOMIZE:	
0	None
1	Maxi Sky 2 Plus
2	Extended trolley
A	Bravo
B	BHM old track
E	Bianca
G	GTM
L	Liko
M	Marka track
N	Innomedic
P	Paramedic
Q	Guldmann GH2
R	Guldmann GH3
S	Midi (see note 5)
T	THE (Single high)
V	Waverley Glen (Supertrack)
W	Waverley Glen (Regular track)

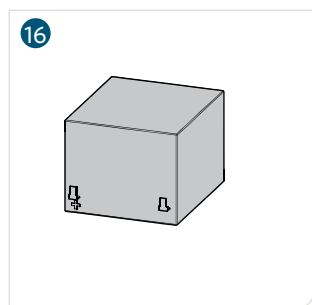
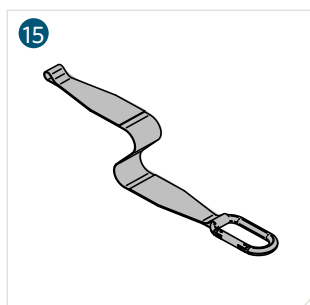
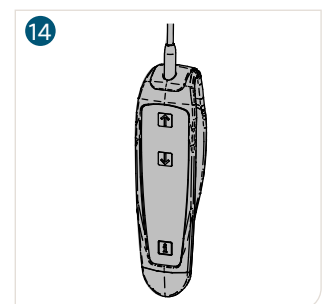
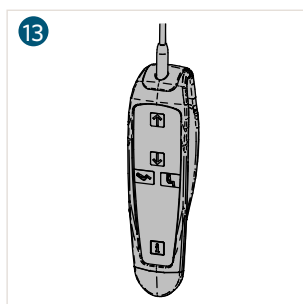
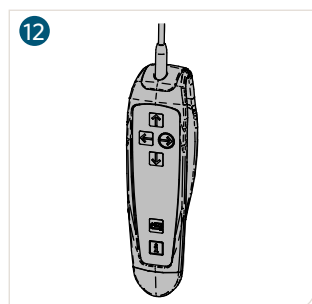
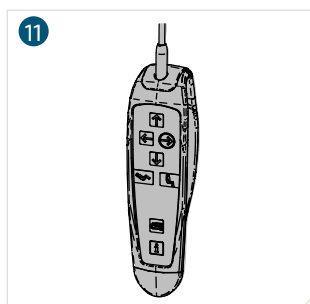
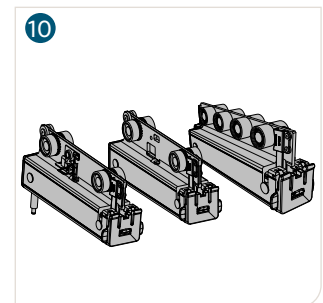
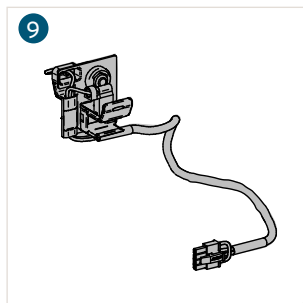
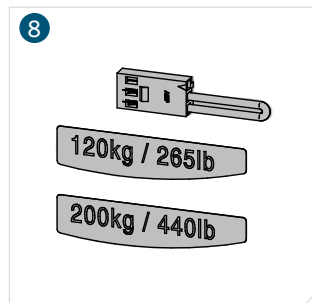
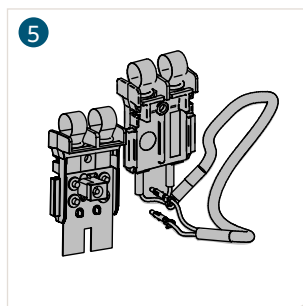
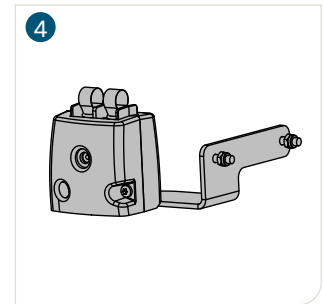
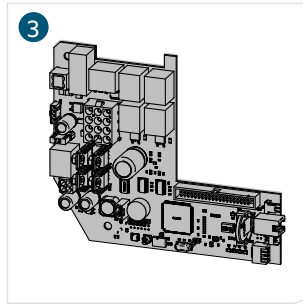
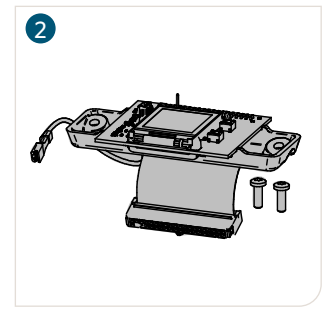
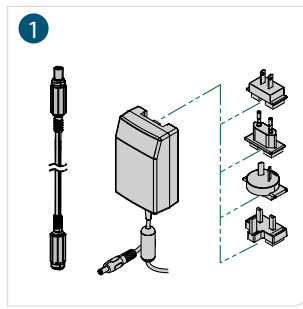
COUNTRY/REGION:									
00	Central W.H.	12	Poland	24	Slovakia	36	Greece	48	Algeria
01	U.S.A.	13	China	25	Austria	37	Hungary	49	Vietnam
02	Canada	14	Middle East	26	Hong Kong	38	Israël	50	Iran
03	Belgium	15	Portugal	27	Singapore	39	Lativa	51	Libya
04	Switzerland	16	Norway	28	Japan	40	Romania	52	Taiwan
05	Germany	17	Czech Republic	29	Korea	41	Saudi Arabia	53	Serbia
06	France	18	Denmark	30	India	42	Thailand	54	Seychelles
07	Netherlands	19	Lithuania	31	South Africa	43	Bosnia-Herzegovina	55	Middle America
08	United Kingdom	20	Russia	32	Nigeria	44	U.A.E	56	Croatia
09	Italy	21	Turkey	33	Brazil	45	Slovenia	98	Europe
10	Spain	22	Australia	34	Scandinavia	46	Bulgaria	99	International
11	Sweden	23	New Zealand	35	Finland	47	Ecuador	N/A	Europe + UK

General Note: Product and accessories availability may vary depending on your country/region.  
 Note 1: These options are available only with customize Options "O" and "P".  
 Note 2: These options are only available with customize Options "G", "V" and "W".  
 Note 3: These options are only available with customize Option "T".  
 Note 4: These options are only available with hand control "0" and "1".  
 Note 5: These options are only available with lateral motion option "0".



# COMMON PARTS

ARTICLE #	DESCRIPTION
1 <b>700-15511</b>	Universal charger for KWIKtral track
2 <b>700-15720</b>	LCD circuit kit (with prog)
2 <b>700-15741</b>	LCD circuit kit (with prog) + CC
3 <b>700-15701</b>	Main PCB kit - Regular
3 <b>700-15692</b>	Main PCB kit - Coated
4 <b>700-31409</b>	C-Stat conversion kit
5 <b>700-15706</b>	Contact blade kit
6 <b>700-31405</b>	ECS conversion kit
7 <b>700-15724</b>	Infra-red kit
8 <b>700-15705</b>	SWL kit
9 <b>700-15707</b>	ECS kit
10 <b>700-31400-XX<sup>1</sup></b>	C-Stat receiving module kit
10 <b>700-31401-XX<sup>1</sup></b>	ECS receiving module kit
10 <b>700-31421-XX<sup>1</sup></b>	Curtain gap receiving module kit
11 <b>700-13841-B</b>	Hand control for 4-Function Unit with DPS
12 <b>700-13842-B</b>	Hand control for 4-Function Unit
13 <b>700-13861-B</b>	Hand control for 2-Function Unit with DPS
14 <b>700-13862-B</b>	Hand control for 2-Function Unit
15 <b>700-14030</b>	1-Meter coated strap extension
16 <b>403.10500</b>	12V 5Ah batteries



<sup>1</sup> "XX" corresponds to the country code:  
 01 = United States & Canada (US/CA)  
 08 = United Kingdom (UK)  
 22 = Australia (AU)  
 98 = Europe (EU)

## COMPATIBILITY WITH TRACKING SYSTEMS

KWIKTRAK LAYOUTS	MS2 BASIC	MS2 TRANSPORTABLE	KWIKTRAK LAYOUTS	MS2 BASIC	MS2 TRANSPORTABLE
Suspended tracks	●	●	Curtain gap	● <sup>1</sup>	● <sup>1</sup>
Embedded tracks			Curve (standard)	●	●
Wall to wall	●	●	Curve (large)	●	●
X-Y system	●	●	MS 2 transportable	● <sup>2</sup>	N/A
Turntable (automatic)	●	●	Easytrack		
Turntable (manual)	●	●	Easytrack FS	● <sup>3</sup>	
Exchanger	●	●	Semi-permanent	●	
Gate	●	●			

<sup>1</sup> With special trolley

<sup>2</sup> C-Stat version only

<sup>3</sup> Easytrack FS, rep version only

## MAXI SKY 2 TRANSPORTABLE

The ceiling lift relocation accessory allows Maxi Sky 2 ceiling lift to be easily removed from its current location and transported to another room that is also equipped with a receiving module.

ARTICLE #	DESCRIPTION
1 <b>700-31409</b>	C-Stat conversion kit
2 <b>700-31400-XX'</b>	C-Stat receiving module kit
3 <b>700-31421-XX'</b>	Curtain gap receiving module kit



## Maxi Sky 2 Transportable compatibility KWIKtrak accessories

KWIKTRAK LAYOUTS	COMPATIBILITY	KWIKTRAK LAYOUTS	COMPATIBILITY
Suspended tracks	●	Gate	● <sup>3</sup>
Embedded tracks	● <sup>1</sup>	Curtain gap	● <sup>2</sup>
Wall to wall	●	Curve (standard)	●
X-Y system	● <sup>3</sup>	Curve (large)	●
Turntable (automatic)	● <sup>2</sup>	Easytrack	●
Turntable (manual)	● <sup>2</sup>	Easytrack FS	●
Exchanger	● <sup>2</sup>	Semi-permanent	●

<sup>1</sup> ECS receiving module only

<sup>2</sup> Vary, depending on model and X-Y configuration

<sup>3</sup> C-Stat receiving module only

We recommend the Maxi Cart 2, which is suitable for Maxi Sky 2 and Maxi Sky 2 transportable. For more information on this accessory, please refer to the the Accessories chapter of this document.

















# SCALES

ARTICLE #	DESCRIPTION
1 <b>700-00511</b>	Scale Unit/ 272 kg (600 lb)
2 <b>700-00531</b>	Scale Unit/ 272kg (600 lb) Class III <sup>1</sup>

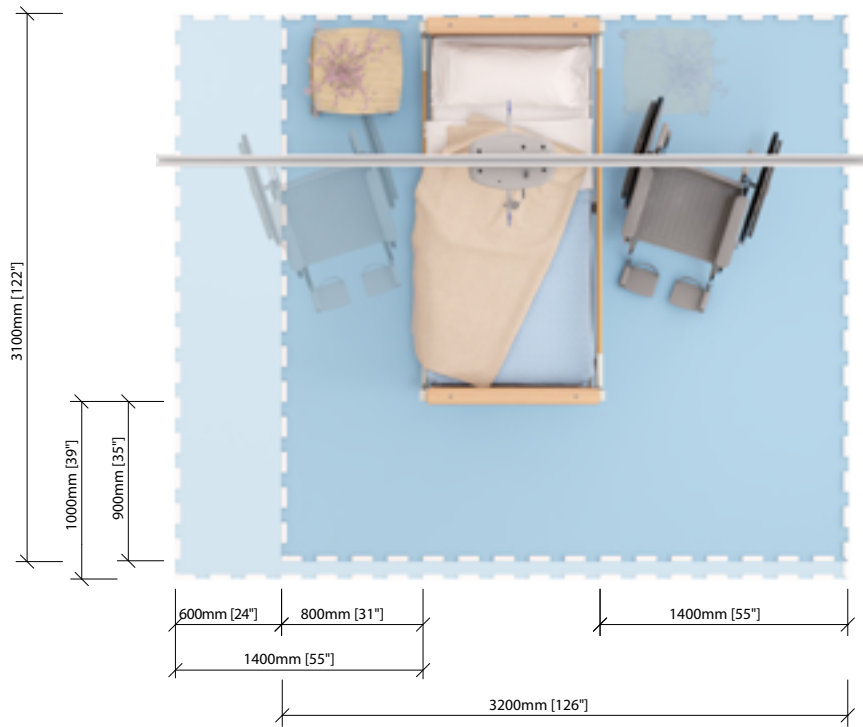
<sup>1</sup> Class III scales shall be calibrated by a notified body, prior to put into service.



# COMPATIBLE SPREADER BARS

	ARTICLE #	DESCRIPTION	DISINFECTION AGENTS
	<b>700-05461</b>	Spreader bar 2-hook Medium	
	<b>700-05443</b>	Carry Bar 4-hook 272 kg (600 lb)	
	<b>700-19340-BOX</b>	DPS Manual Open Ceiling	
	<b>700-19200</b>	DPS Flat Manual	
	<b>700-19522</b>	Stretcher 272 kg (600 lb)	
	<b>700.05380</b>	Morgue spreader bar (standard bands included)	
	<b>700.05385</b>	Morgue spreader bar (long bands included)	

## SPACE REQUIREMENTS



For more information about Space requirement, consult the Arjo Guide for Architects and Planners website.



- Blue area shows the minimum working area required for the staff to be able to use the floor lifter in an ergonomic way from one side.
- Light blue area shows required extension of working area to facilitate activities from either side to provide adequate access for the patient, floor lifter and assisting carer.

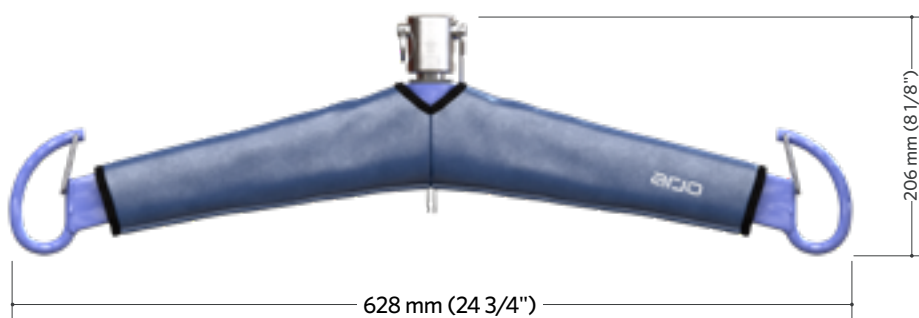
# PRODUCT DIMENSIONS

## Maxi Sky 2 Basic



## 2-hook spreader bar for Maxi Sky 2 Basic

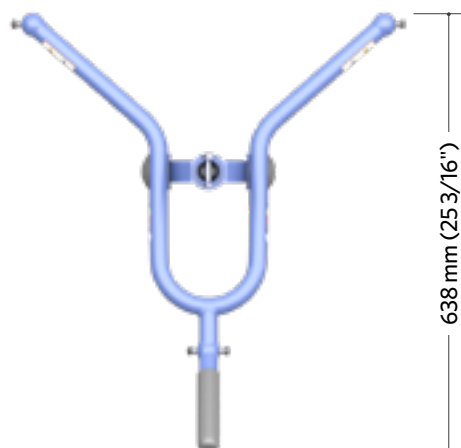
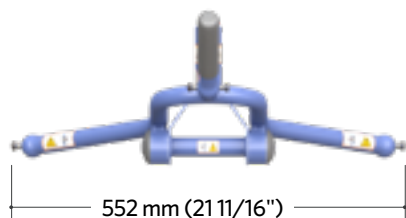
700-05461



Weight: 1,5 kg (3,3 lb)

## DPS Flat Manual

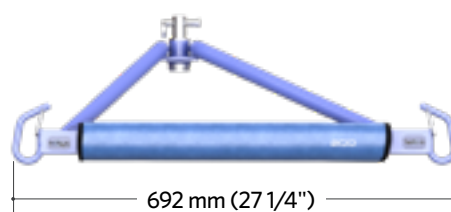
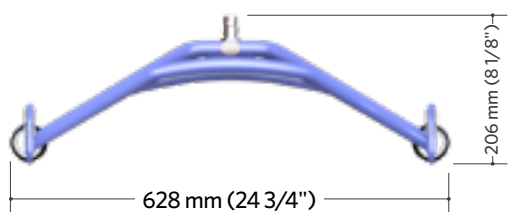
700-19200



Weight: 8,4 kg (18,5 lb)

### Carry Bar 4-hook 272 kg (600 lb)

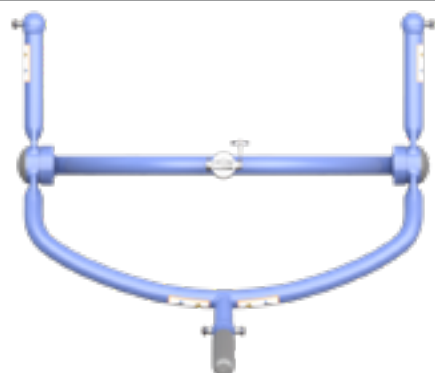
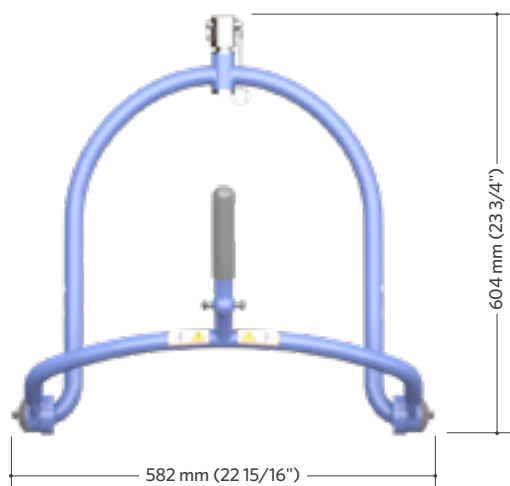
700-05443



Weight: 6 kg (13 lb)

### DPS Manual Open Ceiling

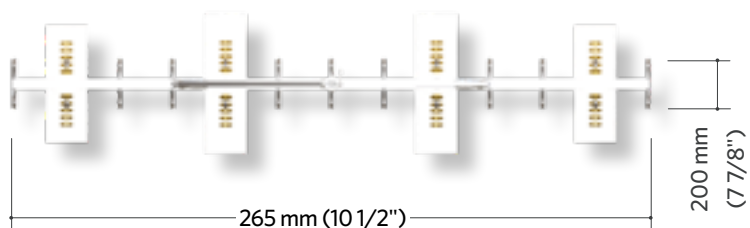
700-19340-BOX



Weight: 5,7 kg (12,5 lb)

## Morgue spreader bar

700-05380 & 700-05385



### Dimension:

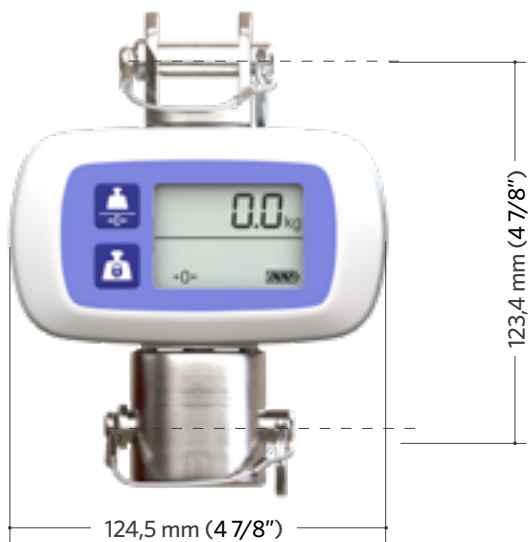
Standard bands kit (#700-05380):  
2x 1194mm (47") & 2x 1448 (57")

Long bands kit (#700-05385):  
2x 1194mm (47") & 2x 1829mm (72")

**Weight** (Stretcher frame only):  
8,9 kg (19,5 lb)

## Scale unit

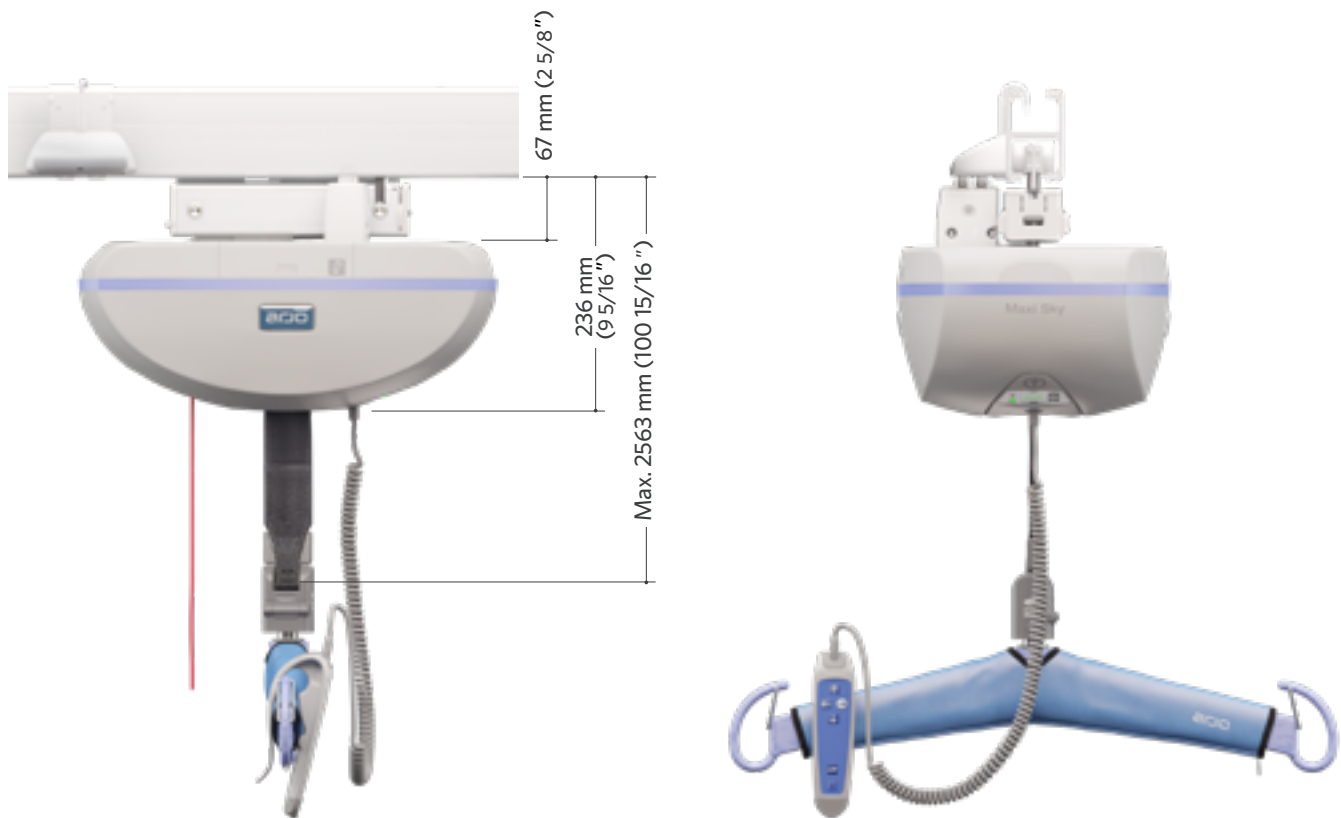
700-00511 & 700-00531 (Class III)



Note: Class III scales shall be calibrated by a notified body prior to put into service.



## Maxi Sky 2 Basic with Transportable receiving module



Illustrated model: Maxi Sky 2

Note: The C-Stat Transportable receiving module is compatible with Maxi Sky 2 Basic

Page intentionally left blank



# Maxi Sky 2 Plus Series

Page intentionally left blank



# Maxi Sky 2 Plus Infection Control & Maxi Sky 2 Plus

The complete bariatric ceiling lift system

## Arjo Mobility Gallery FOR BARIATRIC CARE



C

C. Able to partially bear weight on at least one leg. Uses a wheelchair for moving a distance.




D

D. Unable to weight bear through feet. Is able to sit if well supported.



E

E. Difficulty maintaining sitting hence might remain lying/partially lying in bed

 View in AR



Visit the webpage



# KEY FEATURES

**Charging method**  
Continuous charge (ECS) or dedicated charging station (C-Stat)

**Emergency stop**

**Lifting strap**  
Woven nylon lifting strap or silicone non porous lifting strap

**Telescopic link**  
The care giver can easily handle the whole system with full control and there is no risk of swaying spreader bars that may injure the patient and/or the caregiver

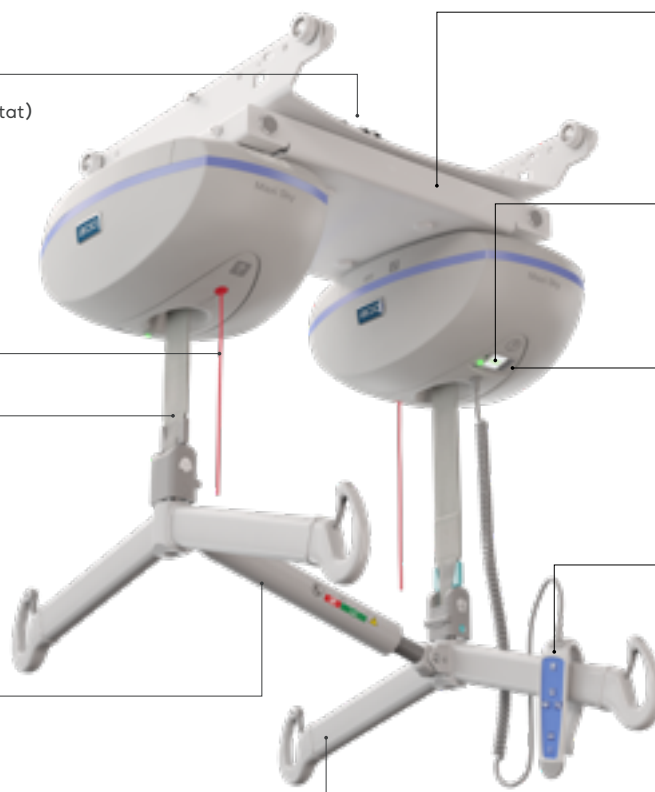
**Large hooks with spring loaded latch**

**360° rotating trolley**

**Control panel with LCD screen**  
Interactive screen displaying information such as total lifts, maintenance and malfunction indicator.

**Auxiliary buttons**  
Lowering and raising auxiliary buttons.

**Single handset**



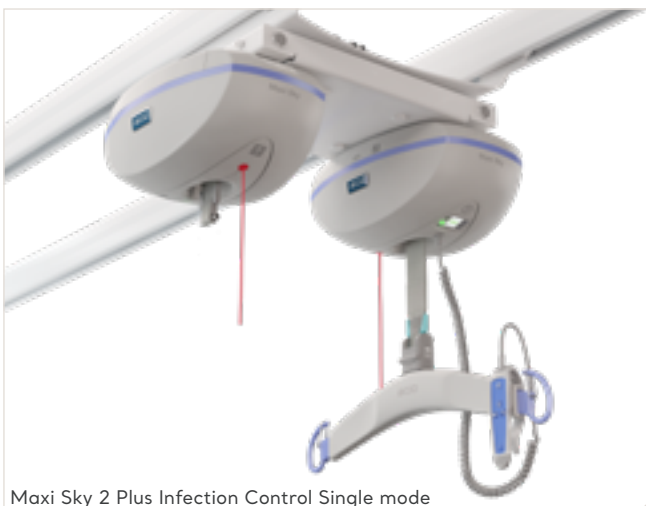
Illustrated: model: Maxi Sky 2 Plus Infection Control. C-Stat version



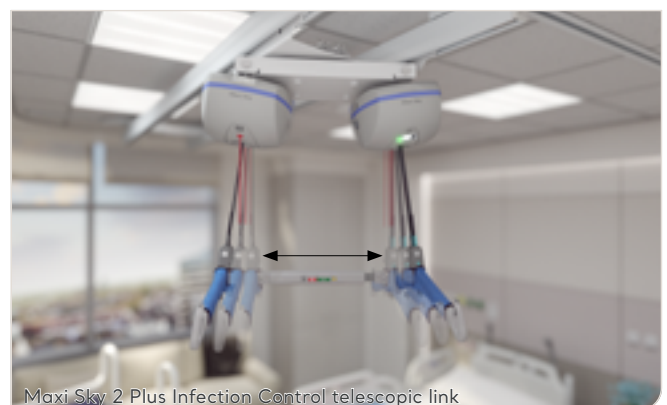
Maxi Sky 2 Plus handset



Maxi Sky 2 Plus Infection Control telescopic link



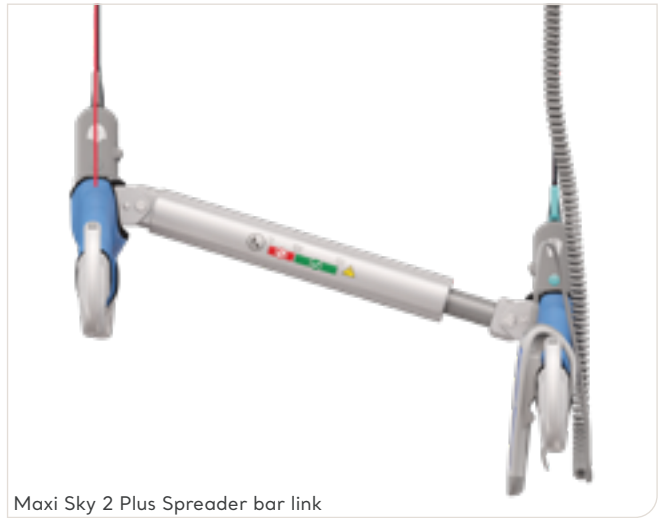
Maxi Sky 2 Plus Infection Control Single mode



Maxi Sky 2 Plus Infection Control telescopic link



Maxi Sky 2 Plus trolley. C-Stat version



Maxi Sky 2 Plus Spreader bar link



Maxi Sky 2 Plus control panel and its color LCD screen



Maxi Sky 2 Plus C-Stat version on a straight track



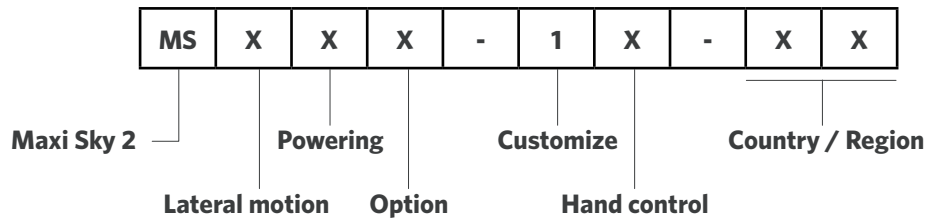
Maxi Sky 2 Infection Control strap

## PRODUCT INFORMATION

GENERAL	
Weight, complete (incl. trolley and two ceiling lifts)	51.6 kg (113.5 lb)
Weight, spreader bar	6.6 kg (14.5 lb)
Lifting capacity	Dual Mode: 454 kg (1000 lb), Single Mode: 272 kg (600 lb)
Strap length	2500 mm (98.4 in)
Lifting speed (Dual mode)	4.3 cm/s (1.7 in/s) without load 3.5 cm/s (1.3 in/s) at 240 kg (528 lb) 3.0 cm/s (1.2 in/s) at 400 kg (880 lb) 2.8 cm/s (1.1 in/s) at 454 kg (1000 lb)
Maximum stroke (from ceiling)	2300 mm (90.6 in)
Horizontal displacement speeds	N/A, manually operated
Operating force of control	< 5 N
Push and pull forces at 454 kb (1000 lb) Horizontal Movement and Rotation	< 6 N
ELECTRICAL	
Duty cycle	Up/Down Motor: Max 10%, 1 minute continuously Sit/Reclined Motor (single mode): Max. 10%, 2 minutes continuously
Horizontal axis motor	N/A
Vertical axis mode	24 VDC, 62 watts
Rating	24 VDC, 15 A max.
Noise level for either raising or lowering, with or without load	58.2 dBA with no load, 65.3 dBA at 454 kg (1000 lb)
Medical equipment	Type BF protection against electrical shock in accordance with IEC 60601-1
Battery type	12 V, 5 Ah, sealed rechargeable valve regulated lead acid battery
Battery capacity	Provides up to 120 transfers with a load of 200 kg (440 lb), up to 70 transfers with a load of 400 kg (880 lb)
Degree of protection - Hand control	IPX7
Degree of protection - Maxy Sky 2 ceiling lift	IP24
Lift - Protection class - Shock prevention	Internally powered equipment
Battery charger input	100-240 VAC, 50-60 Hz, 57 - 70 VA
Battery charger output	28.1 VDC, 1 A max, 28.1 VA
Battery charger safety protection	Class 2, double insulated
OPERATION, TRANSPORT AND STORAGE CONDITIONS	
Normal Operation	Ambient temperature range: 5°C to 40°C (41°F to 104°F) Relative humidity range: 0% to 93% Athmospheric pressure range: 700 hPa to 1060 hPa
Transport/Storage	Ambient temperature range: -40°C to 70°C (-40°F to 158°F) Relative humidity range: 0% to 100% Athmospheric pressure range: 500 hPa to 1060 hPa



# PRODUCT NOMENCLATURE



LATERAL MOTION:	
0	2 function
1	4 function
2	2 function Up/down electrical motor brake
4	4 function Up/down electrical motor brake

POWERING:	
0	ECS, Enhanced Charging System (see note 1)
1	CSTAT, Charger Station
2	WCS, Wall Charging System (see note 4)
3	ECS for gate layouts

OPTION:	
0	None
1	Radius wheels (see note 2)
2	Narrow wheels (see note 3)
3	PCB with conformal coating
4	Without Quick connect
5	Infection control
6	Infection control +PCB with conformal coating

HAND CONTROL:	
0	No hand control
1	Regular
2	Regular with DPS control (see note 1)

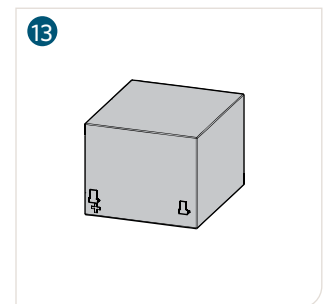
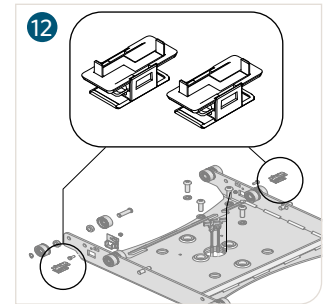
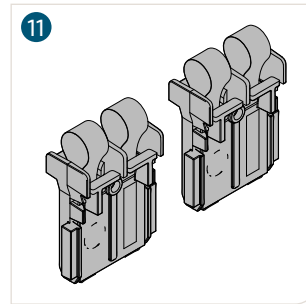
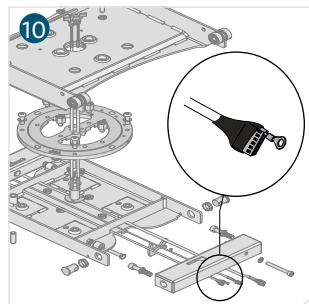
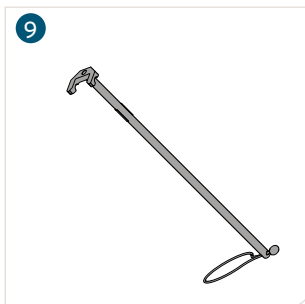
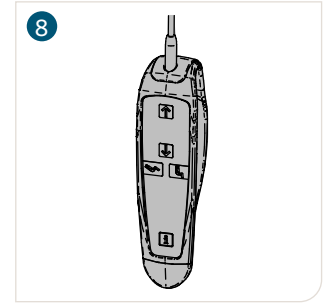
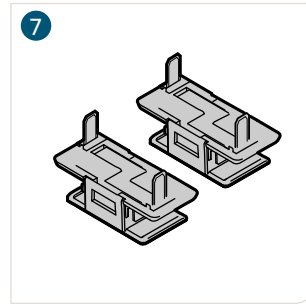
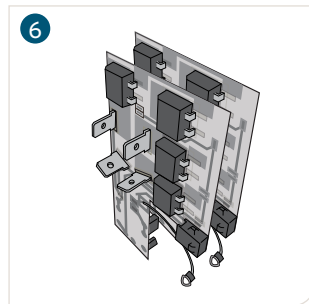
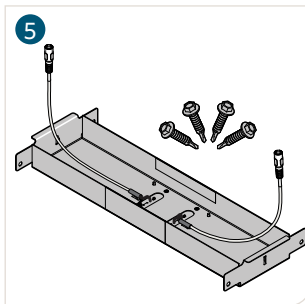
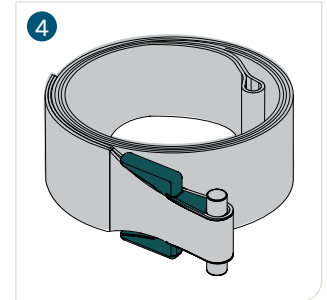
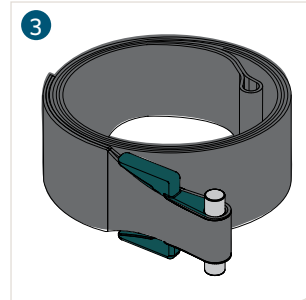
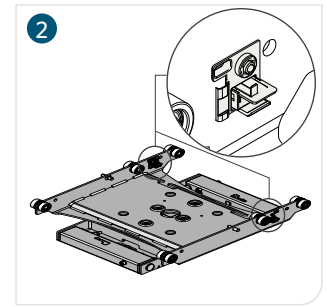
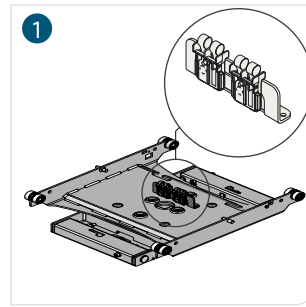
CUSTOMIZE:	
0	None
1	Maxi Sky 2 Plus
2	Extended trolley
A	Bravo
B	BHM old track
E	Bianca
G	GTM
L	Liko
M	Marka track
N	Innomedic
P	Paramedic
Q	Guldmann GH2
R	Guldmann GH3
S	Midi (see note 5)
T	THE (Single high)
V	Waverley Glen (Supertrack)
W	Waverley Glen (Regular track)

COUNTRY/REGION:									
00	Central W.H.	12	Poland	24	Slovakia	36	Greece	48	Algeria
01	U.S.A.	13	China	25	Austria	37	Hungary	49	Vietnam
02	Canada	14	Middle East	26	Hong Kong	38	Israël	50	Iran
03	Belgium	15	Portugal	27	Singapore	39	Lativa	51	Libya
04	Switzerland	16	Norway	28	Japan	40	Romania	52	Taiwan
05	Germany	17	Czech Republic	29	Korea	41	Saudi Arabia	53	Serbia
06	France	18	Denmark	30	India	42	Thailand	54	Seychelles
07	Netherlands	19	Lithuania	31	South Africa	43	Bosnia-Herzegovina	55	Middle America
08	United Kingdom	20	Russia	32	Nigeria	44	U.A.E	56	Croatia
09	Italy	21	Turkey	33	Brazil	45	Slovania	98	Europe
10	Spain	22	Australia	34	Scandinavia	46	Bulgaria	99	International
11	Sweden	23	New Zealand	35	Finland	47	Ecuador	N/A	Europe + UK

General Note: Product and accessories availability may vary depending on your country/region.  
 Note 1: These options are available only with customize Options "0" and "P".  
 Note 2: These options are only available with customize Options "G", "V" and "W".  
 Note 3: These options are only available with customize Option "T".  
 Note 4: These options are only available with hand control "0" and "1".  
 Note 5: These options are only available with lateral motion option "0".

# COMMON PARTS

ARTICLE #	DESCRIPTION
1 700-31201	Trolley C-Stat Maxi Sky 2 Plus
2 700-31241	Trolley ECS Maxi Sky 2 Plus
3 700-31281	Strap kit with green interface
4 700-31295	Strap kit with green interface infection control
5 700-31298	Charging station
6 700-32004	Emergency stop board kit (comes in pairs)
7 700-07650	ECS contact box assembly (comes in pairs)
8 700-13861-B	2-Function DPS hand control
9 700-31299	Strap puller
10 402-31227	Serial communication cable
11 700-31288	Contact blade kit MS2 Plus (comes in pairs)
12 700-07650	ECS contact box assembly (comes in pairs)
13 403.10500	12V 5Ah batterie

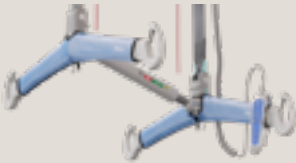



## COMPATIBILITY WITH TRACKING SYSTEMS

KWIKTRAK LAYOUTS	COMPATIBILITY
Suspended tracks	•
Embedded tracks	•
Wall to wall	
X-Y system	•
Turntable (automatic)	
Turntable (manual)	
Exchanger	
Gate	•

KWIKTRAK LAYOUTS	COMPATIBILITY
Curtain gap	•
Curve (standard)	
Curve (large)	
MS2 Transportable	
Easytrack	
Easytrack FS	
Semi-permanent	

## COMPATIBLE SPREADER BARS

	ARTICLE #	DESCRIPTION
	<b>700-31240</b>	Dual Mode Spreader bar Maxi Sky 2 Plus

	<b>700-31252</b>	Dual Mode Spreader bar Maxi Sky 2 Plus Infection Control
--	------------------	--

For the list of compatible slings with the Maxi Sky 2 Plus Series in Single Mode, please refer to the Maxi Sky 2 Series section.



For more information about slings, please refer to the Technical Reference Guide & Parts Overview - Slings Lateral Transfers & Repositioning.



#01.LG.11.1.GB-INT.1.Arjo

# SCALES

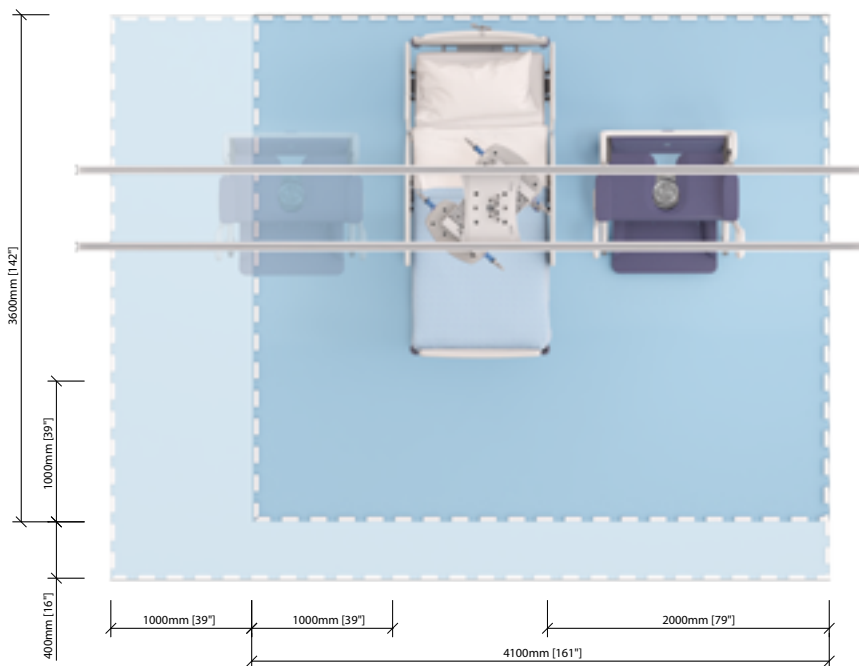
ARTICLE #	DESCRIPTION
1 <b>700-19485</b>	Scale Unit/ 272kg (600 lb) Quick Connect
2 <b>700-19490</b>	Scale Unit/ 272kg (600 lb) Class III <sup>1</sup> Quick Connect

<sup>1</sup> Class III scales shall be calibrated by a notified body, prior to put into service.



Note: Weighing a patient with an Maxi Sky 2 Plus in dual mode requires two identical scales. The class III precision is not achievable in this case. In Single mode, the weighing method and precision are the same as for a Maxi Sky 2, and requires only one scale.

# SPACE REQUIREMENTS

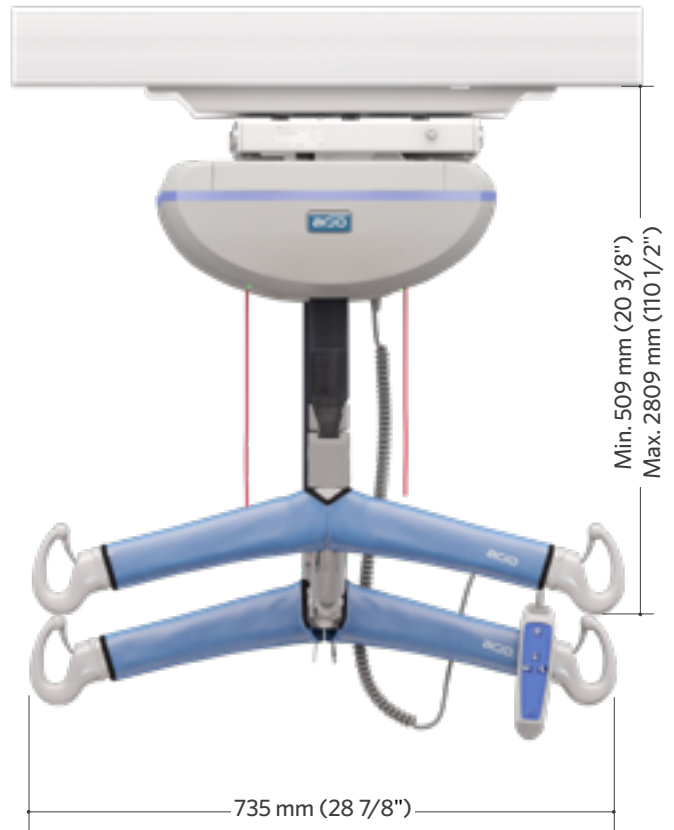
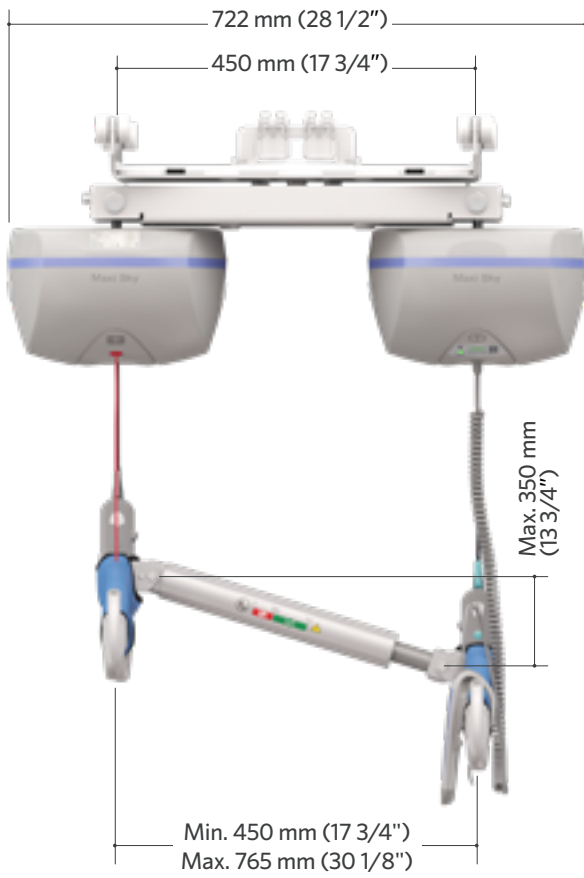


For more information about Space requirement, consult the Arjo Guide for Architects and Planners website.

- Blue area shows the minimum working area required for the staff to be able to use the floor lifter in an ergonomic way from one side.
- Light blue area shows required extension of working area to facilitate activities from either side to provide adequate access for the patient, floor lifter and assisting carer.

# PRODUCT DIMENSION

## Maxi Sky 2 Plus



Page intentionally left blank



# Maxi Sky 1000

The single unit bariatric ceiling lift system

## Arjo Mobility Gallery FOR BARIATRIC CARE



C

C. Able to partially bear weight on at least one leg. Uses a wheelchair for moving a distance.




D

D. Unable to weight bear through feet. Is able to sit if well supported.



E

E. Difficulty maintaining sitting hence might remain lying/partially lying in bed

 View in AR



Visit the webpage



# KEY FEATURES

## Charging method

Continuous charge (ECS) or dedicated charging system (C-Stat)

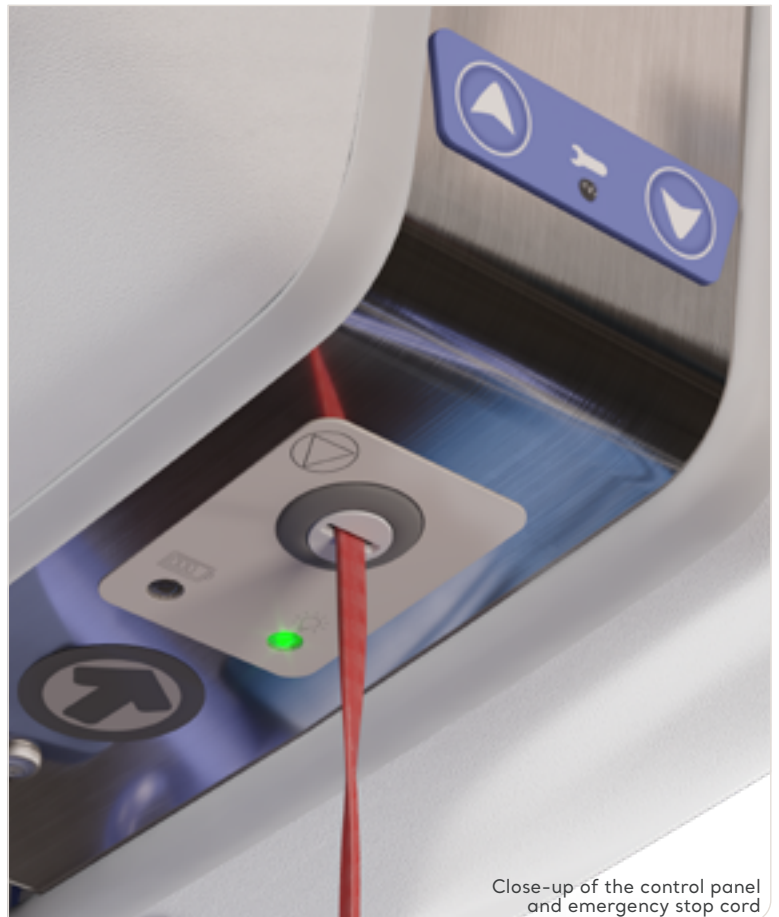
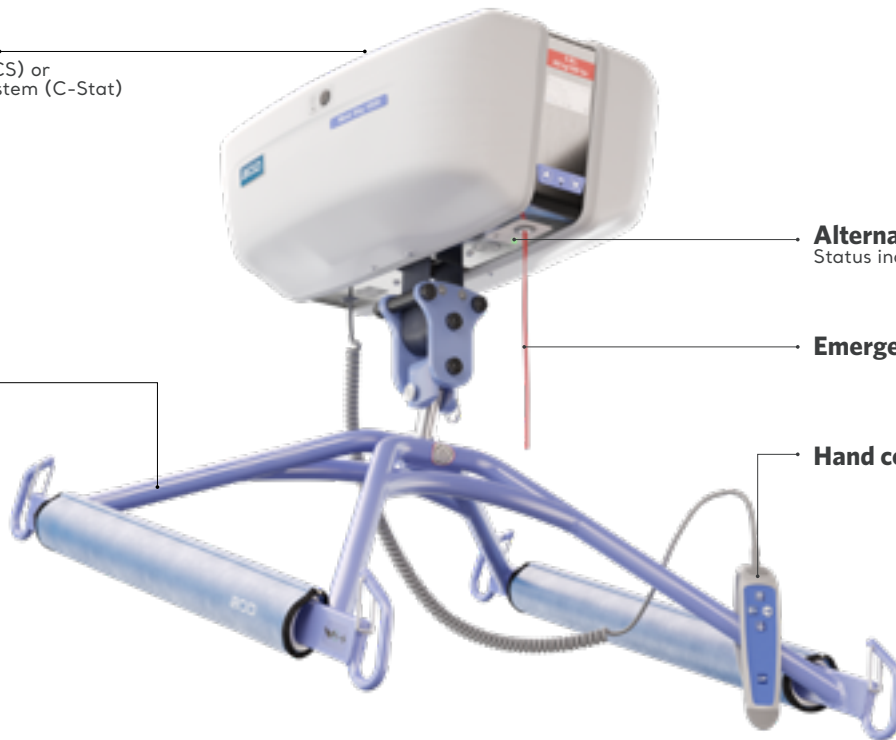
Alternate control  
Status indicator

Emergency stop

## Spreader bar

Optional 4-hook or 2-hook spreader bars

Hand control



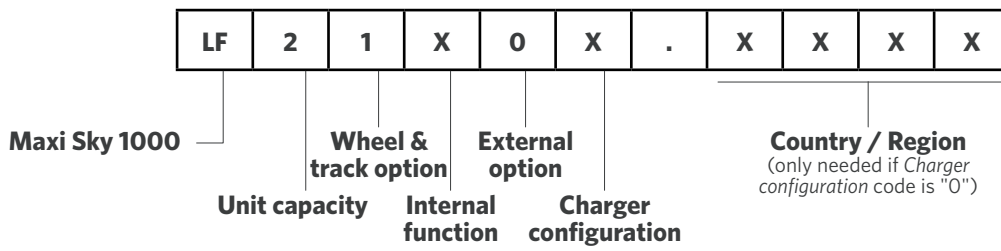
Close-up of the control panel and emergency stop cord



## PRODUCT INFORMATION

GENERAL	
Lifting capacity	454 kg (1000 lb)
Weight, complete	22 kg (48 lb)
Lifting speed	6.0 cm/s (2.4 in/s) without load 3.5 cm/s (1.4 in/s) at 230 kg (500 lb) 2.7 cm/s (1.2 in/s) at 454 kg (1000 lb)
Adjustable horizontal displacement speeds	10, 13, 15 and 20 cm/s. Speed is 15 cm/s (6 in/s) by default
Electronic microprocessor	Soft-start and stop motor control
Maintenance required indicator	Visual LED
Lift - protection class - shock prevention	Internally powered equipment
Strap length	2300 mm (90.6 in)
Noise level for either raising or lowering, with or without load.	61 dBA max.
BATTERIES	
Battery	(2X) 12 V, 7 Ah
Battery capacity	Provides up to 80 transfers with a load of 230 kg (500 lb), up to 25 transfers with a load of 454 kg (1000 lb).
Low battery indicator	The yellow light "charger" flashes while charging and illuminates when charge is finished.
Charging indicators	The green light "on" illuminates once the lift is on and ready for use; the green light flashes when the batteries are low.
HAND CONTROL	
Low force activation buttons, polyester membrane	IPX7
ABS fire retardant	V0
CHARGER UNIT	
Power indicator on charging module	
100-240 Vac/50-60 Hz/24 VA	
Battery Charger safety protection	Class 2, insulated
Clip on charger anywhere on the track	
SAFETY FEATURES	
Electrical up and down emergency buttons	Located on the motor cab
Emergency stopping device (pull cord) accessible from the ground	Stop all electric functions
Manual emergency lowering device	Accessible from the motor cab
Lights	The red light illuminates to confirm that the lift is in the programming service mode. The red light illuminates in the normal mode when the lift is under overheat protection caused by an overuse. The red light flashes when servicing is required (contact customer service).
Emergency brake	Triple centrifugal emergency brake system
Return to charge function	Weight sensor cut-out initiated by user (optional)
Compliant with	ISO10535:2006, IEC60601-1:2005

# PRODUCT NOMENCLATURE



UNIT CAPACITY:	
0	N/A
1	N/A
2	454 kg (1000 lb)

WHEEL & TRACK OPTION	
0	Fixed trolley for KWIKtrak
1	Swivel trolley

INTERNAL FUNCTION:	
0	4-Function C-Stat
1	N/A
2	N/A
3	N/A
4	4-Function ECS

EXTERNAL OPTION:	
0	No spreader bar

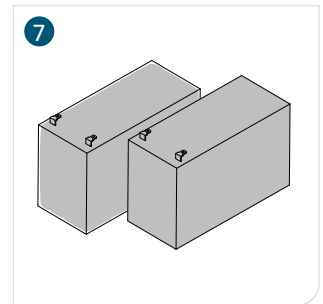
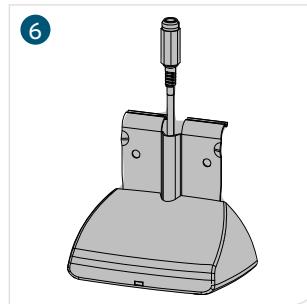
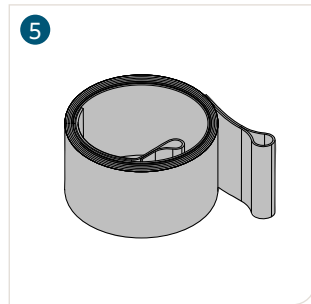
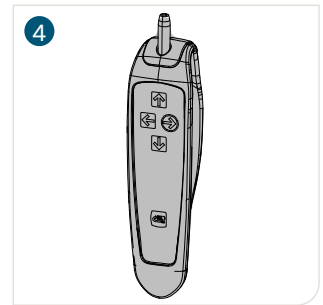
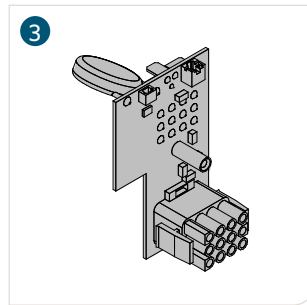
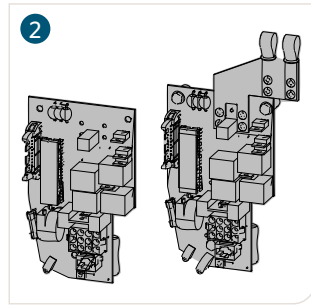
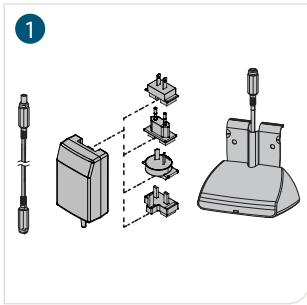
CHARGER CONFIGURATION:	
0	See model country suffix
9	UL primary adapter (Country / Region code not needed)

COUNTRY/REGION:	
empty	United State of America
empty	Canada
AU	Australia
EUUK	Austria
EUUK	Belgium
CN	China
DK	Denmark
EUUK	France
EUUK	Germany
HK	Hong Kong
EUUK	India
EUUK	Italy
EUUK	Netherlands
AU	New Zealand
EUUK	Nigeria
PT	Portugal
EUUK	Singapore
EUUK	South africa
SE	Sweden
EUUK	Switzerland
EUUK	United kingdom

General Note: Product and accessories availability may vary depending on your country/region.  
 Note 1: These options are available only with customize Options 0.  
 Note 2: This option is available only with customize Options G and W.  
 Note 3: This option is available only with customize Option T  
 Note 4: Refer to the Competitor and legacy tracks availability and codification table for available combinations

## COMMON PARTS

ARTICLE #	DESCRIPTION
1 <b>700-15511</b>	KWIKtrak charger kit - Int (2.5 DC)
2 <b>700-14720</b>	Maxi Sky 1000 PCB replacement kit
3 <b>700-01106</b>	MS1000 brake board kit
4 <b>700-13845</b>	6-button hand control
5 <b>362-14020</b>	Strap
6 <b>700-15522-0</b>	Kwiktrak charge station (2.5 DC)
7 <b>E0150</b>	Battery 12V. 7.2 Ah









## COMPATIBILITY WITH TRACKING SYSTEMS

KWIKTRAK LAYOUTS	COMPATIBILITY
Suspended tracks	•
Embedded tracks	•
Wall to wall	
X-Y system	•
Turntable (automatic)	
Turntable (manual)	
Exchanger	
Gate	

KWIKTRAK LAYOUTS	COMPATIBILITY
Curtain gap	
Curve (standard)	
Curve (large)	•
MS2 Transportable	
Easytrack	
Easytrack FS	
Semi-permanent	•

## COMPATIBLE SPREADER BARS

	ARTICLE #	DESCRIPTION	DISINFECTION AGENTS
	<b>700-05401-BOX</b>	Carry bar 2-Hook 454 kg (1000 lb)	
	<b>700-05441</b>	Carry Bar 4-Hook 454 kg (1000 lb)	
	<b>700.05389</b>	Morgue Stretcher & Bands Kit 454 kg (1000 lb)	

For more information about slings, please refer to the *Technical Reference Guide & Parts Overview - Slings Lateral Transfers & Repositioning*. #01.LG.11.1.GB-INT.1.Arjo



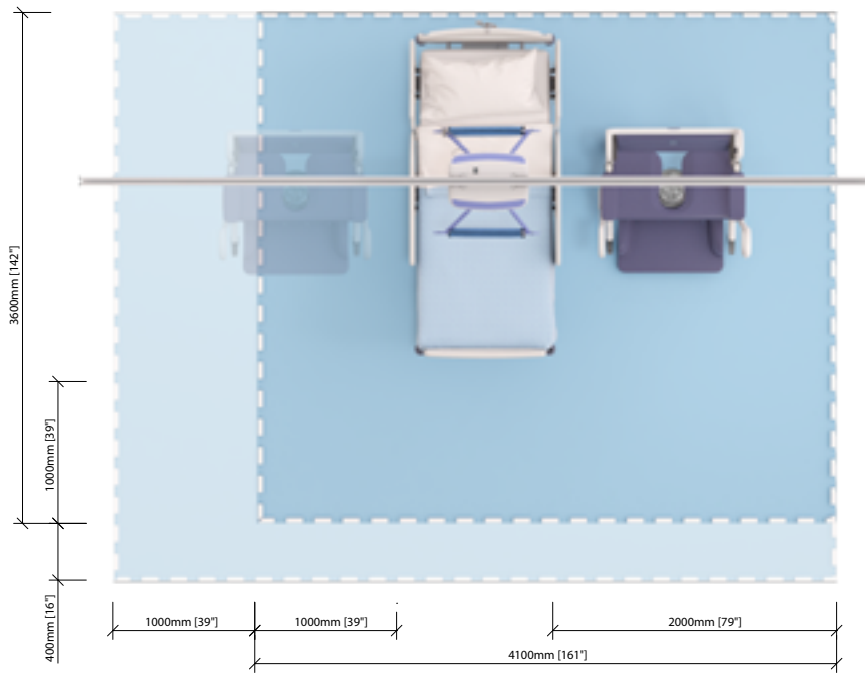
## SCALES

	ARTICLE #	DESCRIPTION
1	<b>700-00526</b>	Scale Unit/ 454 kg (1000 lb)
2	<b>700-00536</b>	Scale Unit/ 454 kg (1000 lb) Class III <sup>1</sup>

<sup>1</sup> Class III scales shall be calibrated by a notified body, prior to put into service.



## SPACE REQUIREMENTS



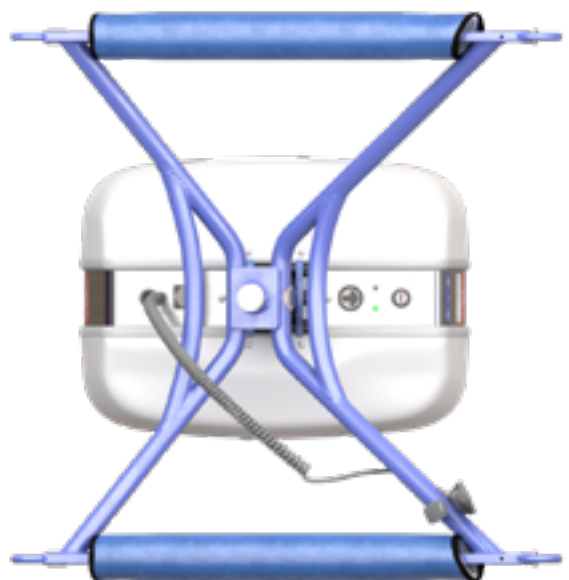
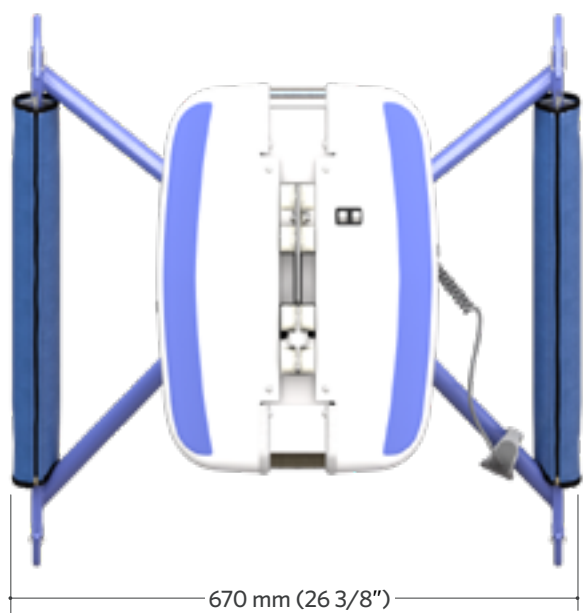
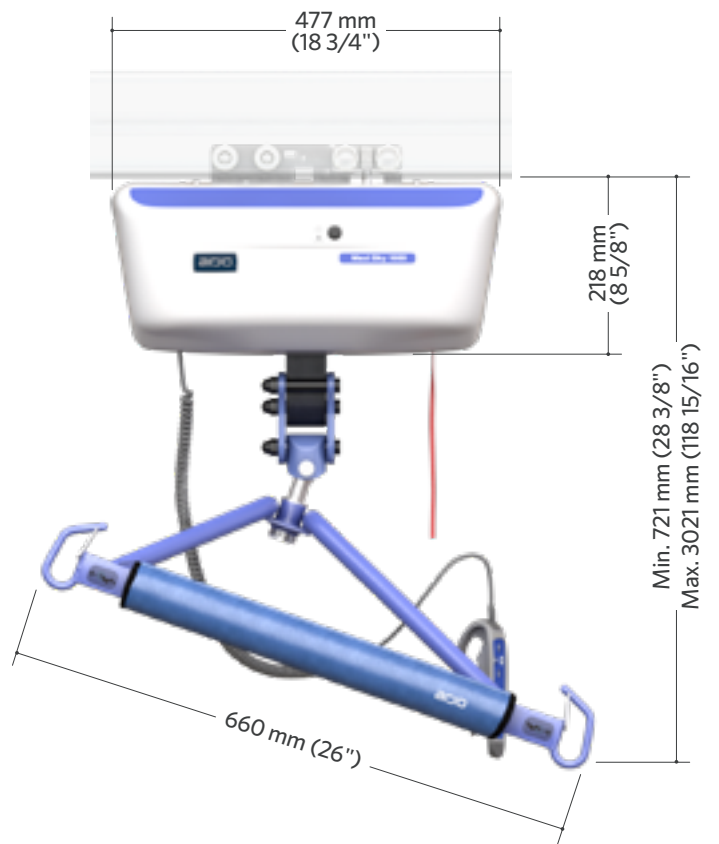
For more information about Space requirement, consult the Arjo Guide for Architects and Planners website.



- Blue area shows the minimum working area required for the staff to be able to use the floor lifter in an ergonomic way from one side.
- Light blue area shows required extension of working area to facilitate activities from either side to provide adequate access for the patient, floor lifter and assisting carer.

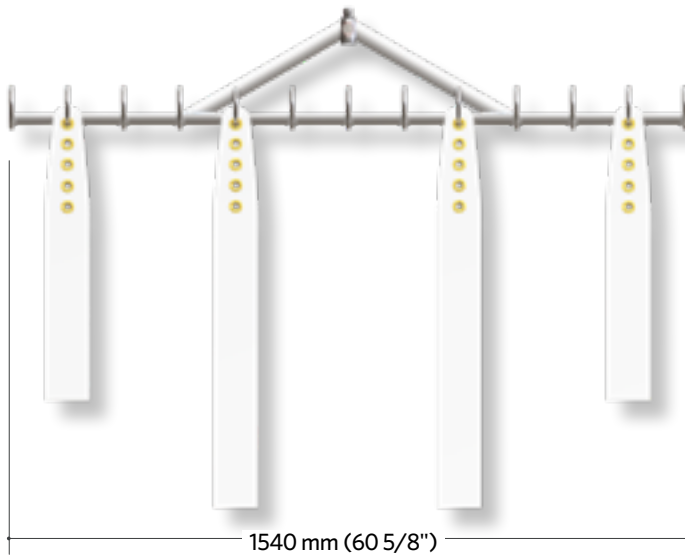
# PRODUCT DIMENSION

## Maxi Sky 1000



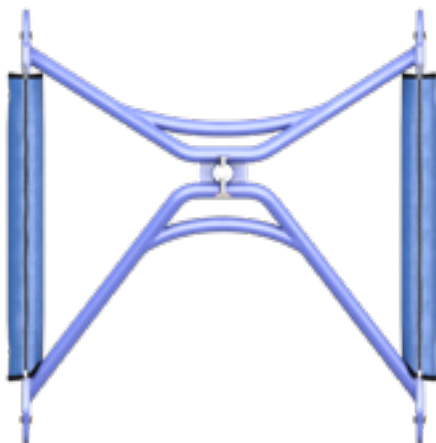
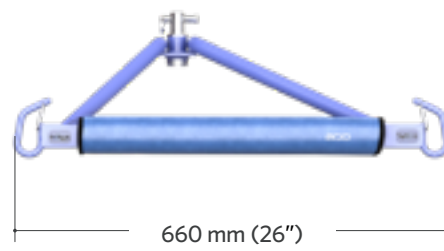
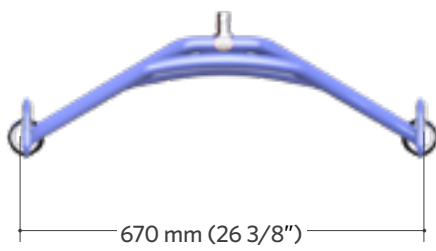
## Morgue stretcher for bariatric/MS1000

700.05389



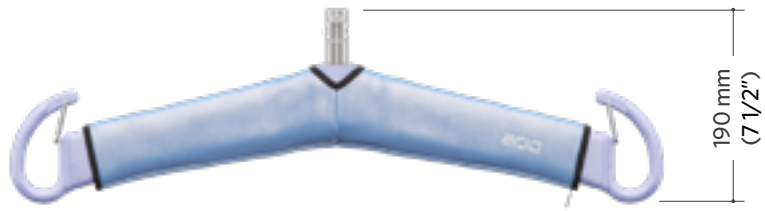
## 4-Point spreader bar

700-05441



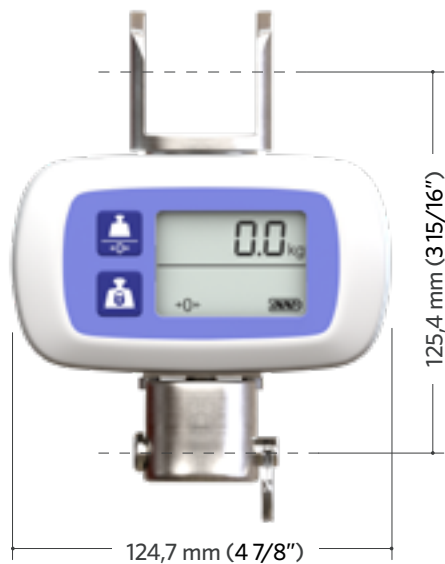
## 2-point spreader bar

700-05401



## Scale unit 454 kg (1000 lb)

700-00526 & 700-00536 (Class III)



Note: Class III scales shall be calibrated by a notified body prior to put into service.



# Portable ceiling lifts



Page intentionally left blank



# Maxi Sky 440

The portable ceiling lift system

## Arjo Mobility Gallery



C

C. Able to partially bear weight on at least one leg. Uses a wheelchair for moving a distance.




D

D. Unable to weight bear through feet. Is able to sit if well supported.



E

E. Difficulty maintaining sitting hence might remain lying/partially lying in bed

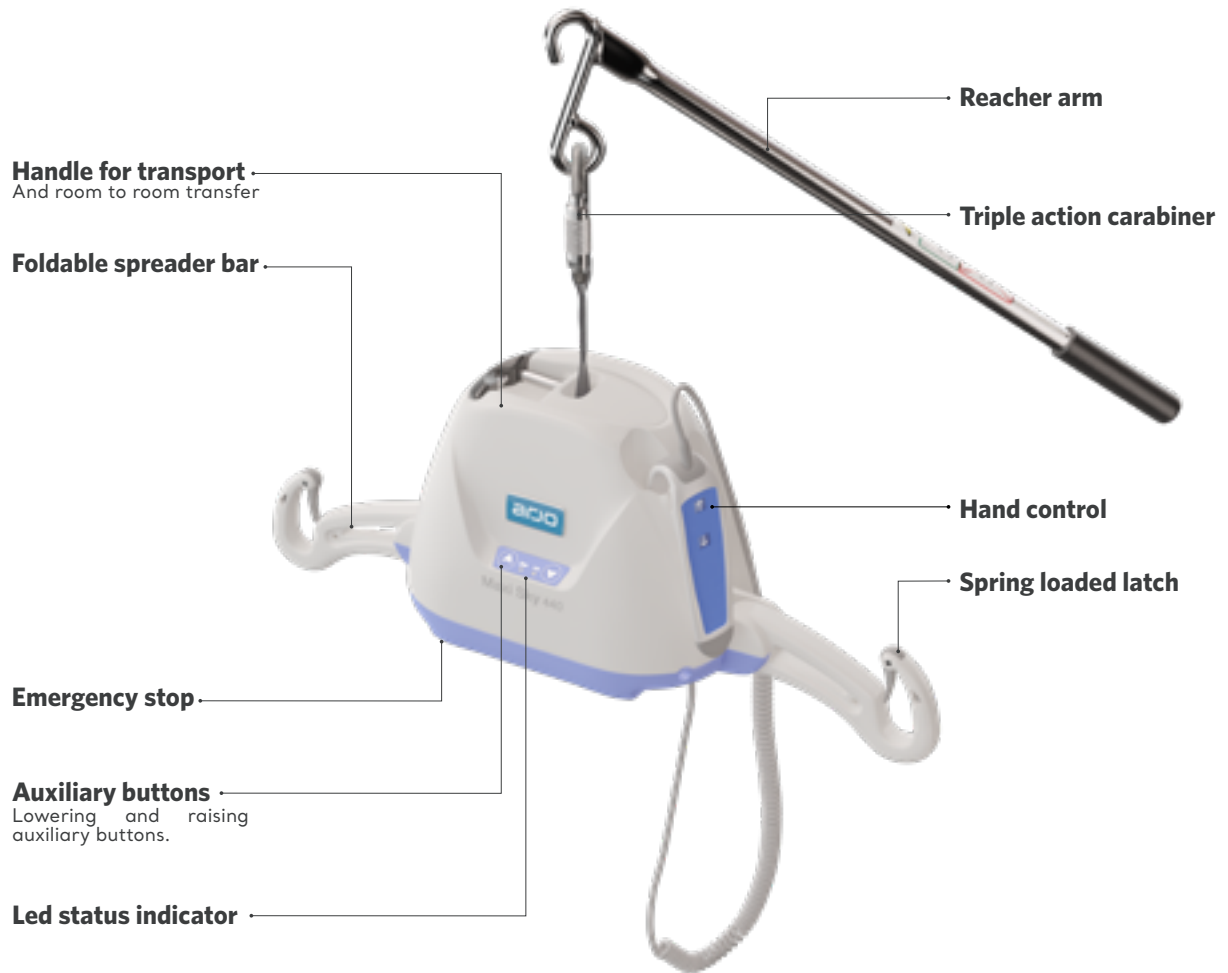
 View in AR



Visit the webpage

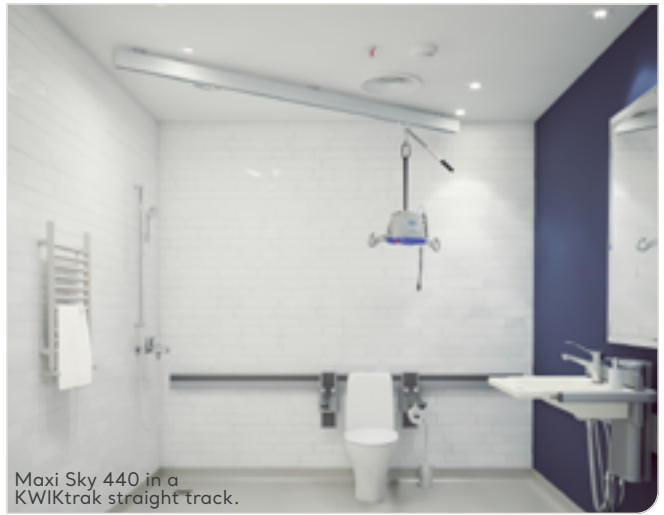


## KEY FEATURES





Maxi Sky 440 on a Easytrak 3-point



Maxi Sky 440 in a KWIKtrak straight track.



Close-up view of a Maxi Sky 440 and its reacher arm, on a pivoting trolley



Maxi Sky 440 and its handset in the Maxi Cart for Maxi Sky 440

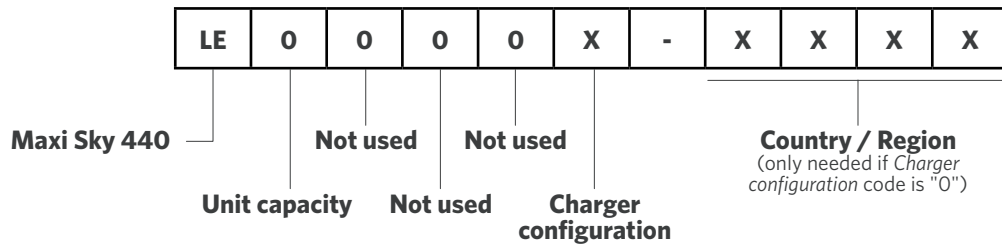


Maxi Sky 440 with its reacher arm, inside a KWIKtrak rail

## PRODUCT INFORMATION

GENERAL	
Lifting capacity	200kg (440 lb)
Unit weight (batteries included)	6.35kg (14 lb)
Lifting speed	4.3 cm/s (1.7 in/s)
Folding sling hooks	Reduced space for storage/transport
Electronic microprocessor	Soft-start and stop motor control
Maintenance required indicator	Visual LED
Lift - protection class - shock prevention	Internally powered equipment
Strap length	2200 mm (88 in)
Noise level for either raising or lowering, with or without load.	54 dBAmx.
BATTERIES	
Battery	2x2.3 Ah will average 2 to 4 hours to a complete charge
Battery capacity	Provides up to 30 transfers with a load of 80kg (176 lb)
Low battery indicator	Audible
Charging indicators	"Blinking yellow - charging/ full yellow - charging completed"
HAND CONTROL	
Low force activation buttons, polyester membrane.	IPX7
ABS fire retardant	VO
CHARGER UNIT	
Power indicator on charging module	
100-240 Vac/50-60 Hz/24 VA	
Battery Charger safety protection	Class 2, double insulated
SAFETY FEATURES	
Electrical up and down emergency buttons	Located on the motor cab
Emergency stopping device (push button) accessible below unit	Stop functions
Emergency brake	In case of mechanical failure
Manual emergency lowering device	Accessible from the motor cab
ABS Fire retardant casing	VO
Compliant with	ISO10535:2006, IEC60601-1:2005

# PRODUCT NOMENCLATURE



CHARGER CONFIGURATION:	
0	See model country suffix
9	UL primary adapter (Country / Region code not needed)

COUNTRY / REGION	
empty	United State of America
empty	Canada
AU	Australia
EUUK	Austria
EUUK	Belgium
CN	China
DK	Denmark
EUUK	France
EUUK	Germany
HK	Hong Kong
EUUK	India
EUUK	Italy
EUUK	Netherlands
AU	New Zealand
EUUK	Nigeria
PL	Poland
PT	Portugal
EUUK	Singapore
EUUK	South africa
SE	Sweden
EUUK	Switzerland
EUUK	United kingdom

General Note: Product and accessories availability may vary depending on your country/region.

## COMPATIBILITY WITH TRACKING SYSTEMS

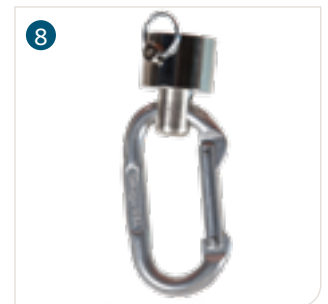
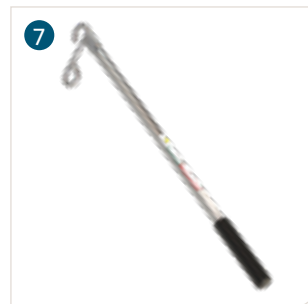
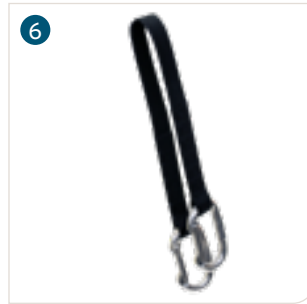
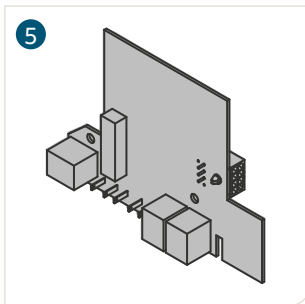
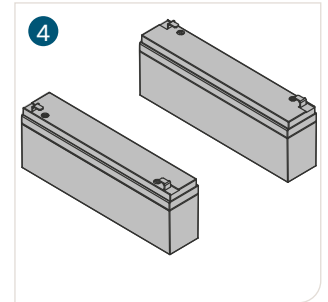
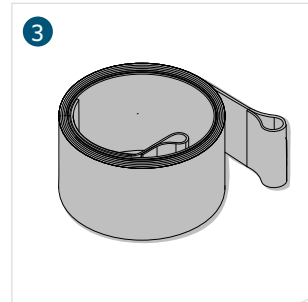
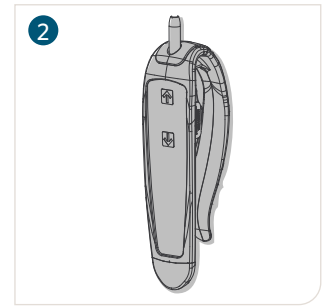
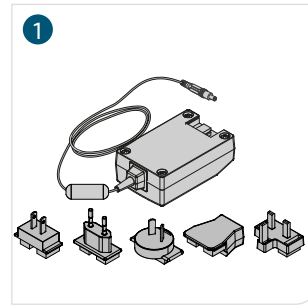
KWIKTRAK LAYOUTS	COMPATIBILITY
Suspended tracks	●
Embedded tracks	●
Wall to wall	●
X-Y system	●
Turntable (automatic)	●
Turntable (manual)	●
Exchanger	●
Gate	●

KWIKTRAK LAYOUTS	COMPATIBILITY
Curtain gap	● <sup>1</sup>
Curve (standard)	●
Curve (large)	●
MS2 Transportable	●
Easytrack	●
Easytrack FS	●
Semi-permanent	●

<sup>1</sup> With special trolley

## COMMON PARTS

ARTICLE #	DESCRIPTION
1 <b>700-15568</b>	Universal charger
1 <b>700-15561</b>	Charger UL/JP
2 <b>700-13865-B</b>	2-Button control - IPX7
3 <b>362.01365</b>	Black strap
4 <b>E6585</b>	Battery 12V 2.3Ah terminal blade
5 <b>492.00047-1</b>	Maxi Sky 440 - Main circuit board
6 700.03720	Extension Strap 24" (61 cm)
7 700-08310	Reacher 24" (61 cm)
7 700-08320	Reacher 36" (91 cm)
8 002.08150	Portable Lift Carry Bag




## TROLLEYS

DESCRIPTION	PART NUMBER	DESCRIPTION	PART NUMBER
A - Arjo UK Bravo track	<b>700-10640-B</b>	N - Innomedic track	<b>700-10650-B</b>
B - BHM Medical track / Joerns UK	<b>A5900</b>	P - Paramedic track	<b>700-10650-B</b>
D - Arjo UK Bravo track (traverse track)	<b>700-10640-B</b>	Q - Guldmann track (GH2) / Joerns USA	<b>700-10655-B</b>
E - Arjo UK Bianca track	<b>700-10640-B</b>	R - Guldmann track (GH3)	<b>700-10655-B</b>
G - GTM track	<b>700-10640-B</b>	S - Guldmann track (Midi)	<b>700-10655-B</b>
K - KWIKtrak	<b>700-10640-B</b>	T - Tollos track	<b>700-10640-B</b>
K - KWIKtrak with curtain gap	<b>700-10660</b>	V - Handicare Traverse track (Prism/Waverly Glenn)	<b>700-10640-B</b>
L - Liko/Hillrom track	<b>700-10640-B</b>	W - Handicare Standard track (Prism/Waverly Glenn)	<b>700-10640-B</b>
M - Marka track	<b>700-10640-B</b>		



## COMPATIBLE SPREADER BARS

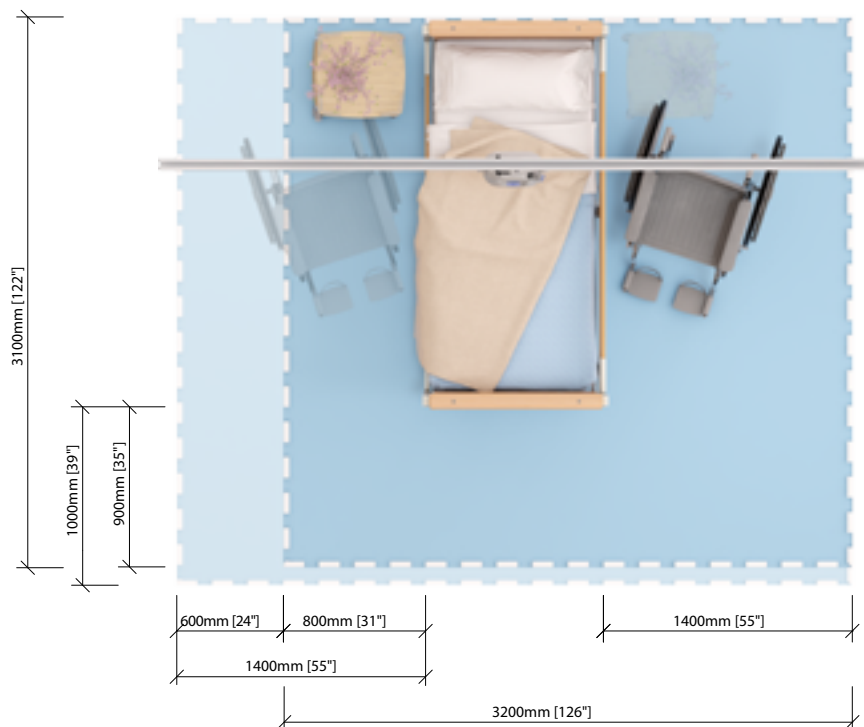
	ARTICLE #	DESCRIPTION
	N/A	Integrated 2-point spreader bar

	700.05725	Portable scale adaptor (Compatible with scales 700-00511 & 700-00531)
---	-----------	--

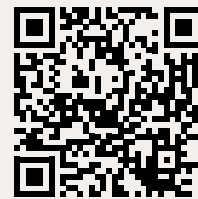
For more information about slings, please refer to the *Technical Reference Guide & Parts Overview - Slings Lateral Transfers & Repositioning* - #01.LG.11.1.GB-INT.1.Arjo



## SPACE REQUIREMENTS



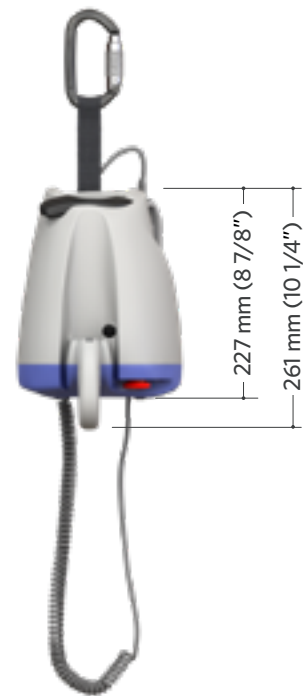
For more information about Space requirement, consult the Arjo Guide for Architects and Planners website.



- Blue area shows the minimum working area required for the staff to be able to use the floor lifter in an ergonomic way from one side.
- Light blue area shows required extension of working area to facilitate activities from either side to provide adequate access for the patient, floor lifter and assisting carer.

# PRODUCT DIMENSION

## Maxi Sky 440



Page intentionally left blank



# Tracking

Page intentionally left blank

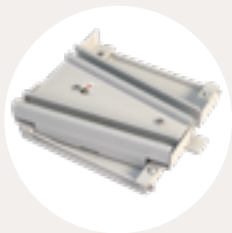


Fixed tracking solutions...



KWIKtrak rails

...and accessories



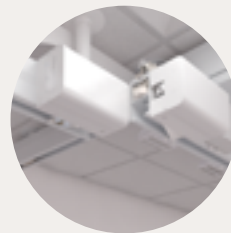
Exchanger



Turntable



X-Y System



Gate

Portable tracking solutions



Easytrack



Easytrack FS



Semi-permanent  
2 post



Semi-permanent  
4 post

# Tracking solution chart

## FIXED TRACKING SYSTEMS

	MAXI SKY 440	MAXI SKY 2 SERIES	MAXI SKY 2 PLUS SERIES	MAXI SKY 1000
<b>STRAIGHT</b>				
Rail profile		Embedded 90 mm (3 ½") 90 mm (3 ½") 140 mm (5 ½") 180 mm (7")		
<b>CURVES</b>				
		Embedded 90 mm, 45°, 575 mm (22 ½") radius 90 mm, 45°, 575 mm (22 ½") radius 140 mm (5 ½") 45° & 90°, 965 mm (38") radius		140 mm (5 ½") 45° & 90°, 965 mm (38") radius
		90 mm, 90°, 575 mm (22 ½") radius 140 mm (5 ½") 45° & 90°, 965 mm (38") radius		140 mm (5 ½") 90°, 965 mm (38") radius
<b>ACCESSORIES</b>				
Exchanger		Power sharing activation		
Turntable	Manual pull cord	Power sharing activation		
Gates		Power sharing activation	●	
<b>X-Y SYSTEM</b>				
Standard trolley	●	●	● <sup>1</sup>	Bariatric
Bariatric trolley				●
Flush trolley	●	●		
Extended trolley	●	●		
<b>ATTACHMENT TYPES</b>				
Ceiling	●	●	●	●
Wall	●	●		

## PORTABLE TRACKING SYSTEMS

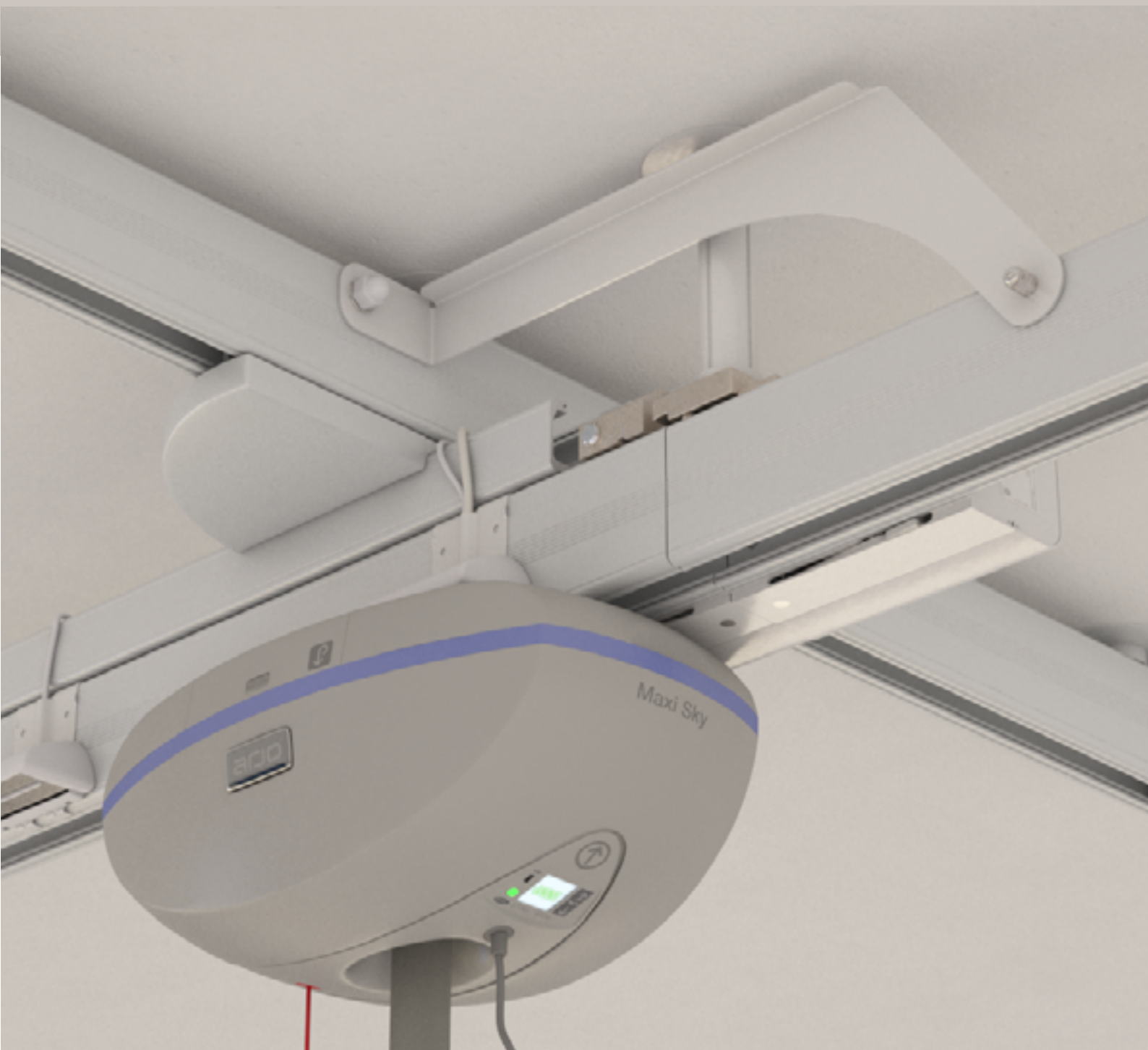
	MAXI SKY 440	VOYAGER PORTABLE	MAXI SKY 2 SERIES	MAXI SKY 2 PLUS SERIES	MAXI SKY 1000
<b>EASYTRACK</b>					
	SWL 200 kg (440 lb)	SWL 200 kg (440 lb)			
<b>EASYTRACK FS</b>					
	SWL 200 kg (440 lb)	SWL 200 kg (440 lb)	SWL 200 kg (440 lb)		
<b>SEMI PERMANENT RACK (LINEAR)</b>					
	●	●	●		●
<b>SEMI PERMANENT RACK (X-Y)</b>					
	●	●	●	○ <sup>1</sup>	

Note: Compatibility may vary depending on the situation, the rail configuration, the rail options, ceiling lift options (i.e.: ECS or C-Stat), or other elements.

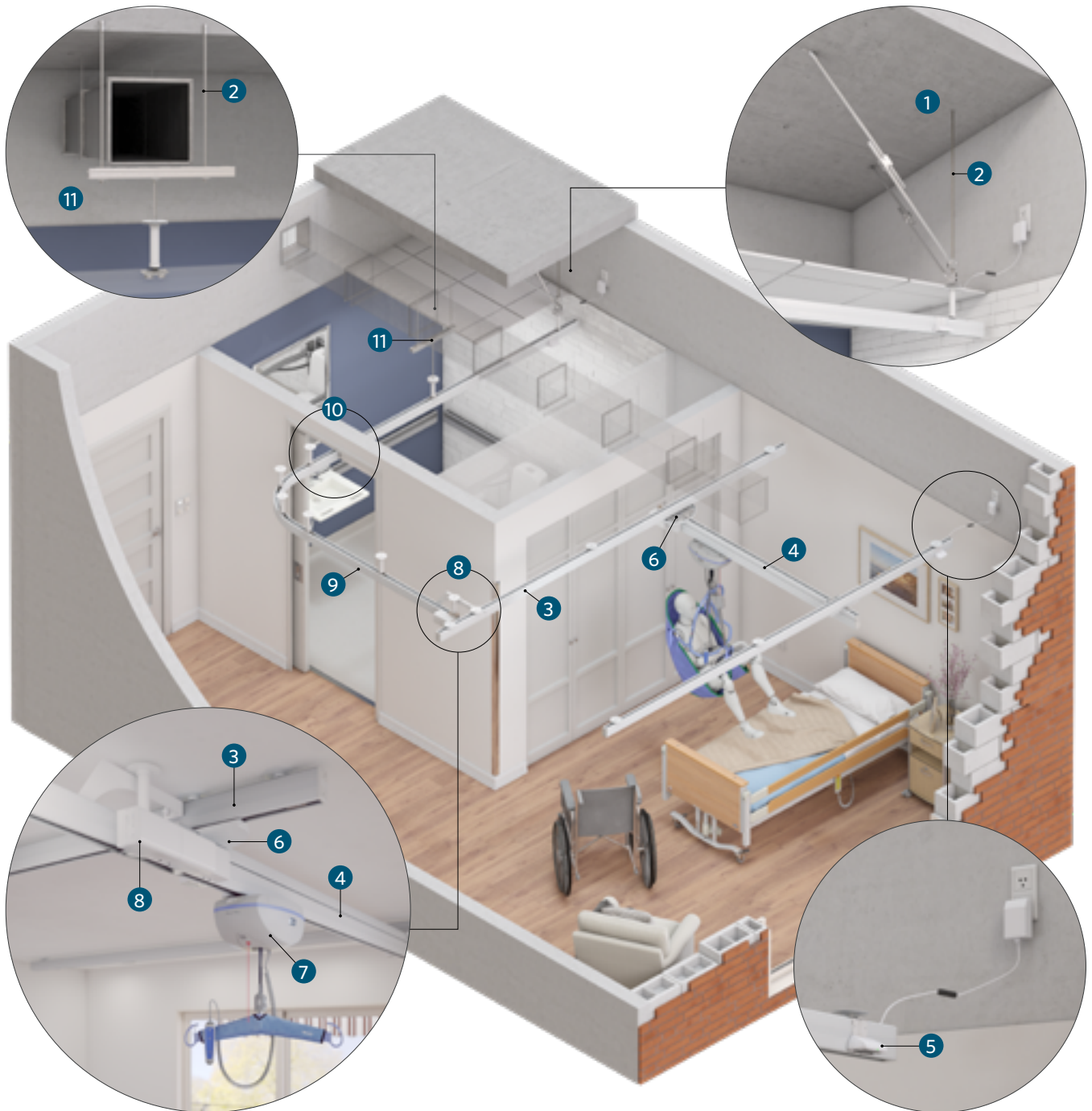
<sup>1</sup> All elements related to Maxi Sky 2 Plus may need specific accessories and configurations.



# Fixed tracking solutions



# Anatomy of a tracking layout



**1 Structural attachment point**

The attachment point where the ceiling track is installed to the building ceiling structure

**2 Threaded rod**

This acts as the attachment point between the ceiling track bracket and the upper structure, when the ceiling is suspended

**3 Ceiling track**

The ceiling track serves to carry the ceiling lift and/or track accessories

**4 X-Y system mobile track**

The mobile track moves along the fixed rails to allow for use of the lift in all areas that the track encompasses

**5 Charging station**

Can be located at any point along the rail

**6 X-Y trolley**

The wheels ride inside the fixed rails and are attached to the mobile track

**7 Ceiling lift**

A variety of lifts are available in different weight capacities with different features

**8 Gate assembly**

Allows the transfer from a X-Y system mobile track to a linear track

**9 Linear track**

A section of track that can access various points in the room. Available in various lengths and curved designs

**10 Modified door header**

Opening above doorway to allow the track to pass through into another door. Different options are possible

**11 Bridging**

To avoid ceiling obstacles, such as ducts or vents.



KWIKtrak rail with ECS



Embedded KWIKtrak rail with ECS and an open access door



X-Y system KWIKtrak rails powered by ECS



Maxi Sky 2 on a linear track, going to a bathroom, through a door header. The rail is lowered to be aligned with the bedroom X-Y system the motor is coming from



Maxi Sky 2 on a X-Y system



Closed door with a KWIKtrak rail passing through.



Maxi Sky 2 passing through a gate

# Typical installation layouts

The below top view images of different examples of tracking layout for overhead patient lifts will provide slightly different clinical outcomes.

## LINEAR TRACKING SOLUTIONS

Linear tracks intended for direct transfers between bed and wheelchair, day chair, etc. With the track at a slight angle to the bed, it is easier to find the optimum point for lifting the resident/patient.



Ceiling mounted. Two separate tracks installed over bed and toilet, (high traffic area for patient handling tasks), possibly a portable lift is best.



Ceiling mounted. Straight track with curve, providing an out of the way charging area for fixed ceiling lifts.



Cost effective. This is a linear layout with multiple curves, crossing the bed, connecting the toilet area. Return to charge (RTC) can be used. When ceiling heights if of concern, a linear tracking layout would maximise stroke (vs X-Y installation). ADL activity could be performed with the walking harness including in bed activities or walking to the bathroom. All typical daily tasks such as bed to wheelchair transfer, transfer to the washroom area can be efficiently performed.



Wall mounted linear track, using wall brackets.



Wall mounted. Linear track with wall posts, for fixed or portable ceiling lifts.



Wall mounted. Linear track, combining wall bracket, side wall posts and T-junction, for fixed or portable ceiling lifts.

# X-Y TRACKING SOLUTIONS

X-Y tracking solutions are intended to provide full room coverage, over an entire area...enabling the care providers to pick up a patient anywhere below the tracking solution...and providing additional area coverage possibly for different types of patient handling tasks, like bringing rehab into the patient room.



Ceiling mounted. X-Y tracking solution, for fixed or portable ceiling lifts.



Wall mounted. X-Y tracking solution, for fixed or portable ceiling lifts.



Wall mounted. X-Y tracking solution covering the entire living area, lowered bathroom walls permitting the traverse track of the X-Y system to travel above the walls.



Ceiling mounted. Two separate X-Y tracking solutions, covering each side of the room. For fixed or portable ceiling lifts.



Ceiling mounted. X-Y tracking solution, covering two beds for fixed or portable ceiling lifts.

## TRACKING WITH ACCESSORIES SOLUTIONS

Here are some examples of connected track layouts that could possibly be used. ADL activity could be performed allowing access to the bathroom, with the walking harness.



Here is an example of when a Linear Turntable track layout that could possibly be used....a linear layout crossing the bed, out of the way to permit charging out of the way in the corner, to maximize stroke, if ceiling heights is of concern, (RTC) return to charge, can be used when we use the 4function MS2, ADL activity could be performed allowing in the bathroom, with the Walking harness...



Here is an example of an 'X-Y Gate' tracking system.

Full room coverage in Patient Room, and Linear coverage in bathroom, above toilet.

One X-Y room covering system covering patient room, joined by a linear track and connecting to the bathroom. Charging solution can be in either patient room or bathroom, or both rooms if desired.



Here is an example of a 'Double Gate' tracking system.

Full room coverage in Patient Room, and Full Room coverage in bathroom. One X-Y room covering system covering patient room, joined by a linear track and connecting to another X-Y room covering system in bathroom. Charging solution can be in either patient room or bathroom, or both rooms if desired.



Here is an example of when a X-Y tracking layout combined with a Turntable providing access to the bathroom, or exiting the room leading into the corridor, that could possibly be used....with this track layout, the linear tracking portion of the tracking network, will therefore be descended down, (below the ceiling) using an aesthetic rod covering matching the same height as the Traverse track on the X-Y layout...



Here is an example of when an Exchanger could possibly be used....

Ideally an exchanger is incorporated into the track layout, when we have one track path that is Frequent, and not so frequent...in this example we have a need to enter from the bedroom into the connected bathroom...but from time to time the care provider needs to bring the patient into the corridor, possibly to bring into the Central bathing room, or simply into the corridor for some ambulatory training...Only swap the path when planning to leave the room with a patient in the ceiling lift

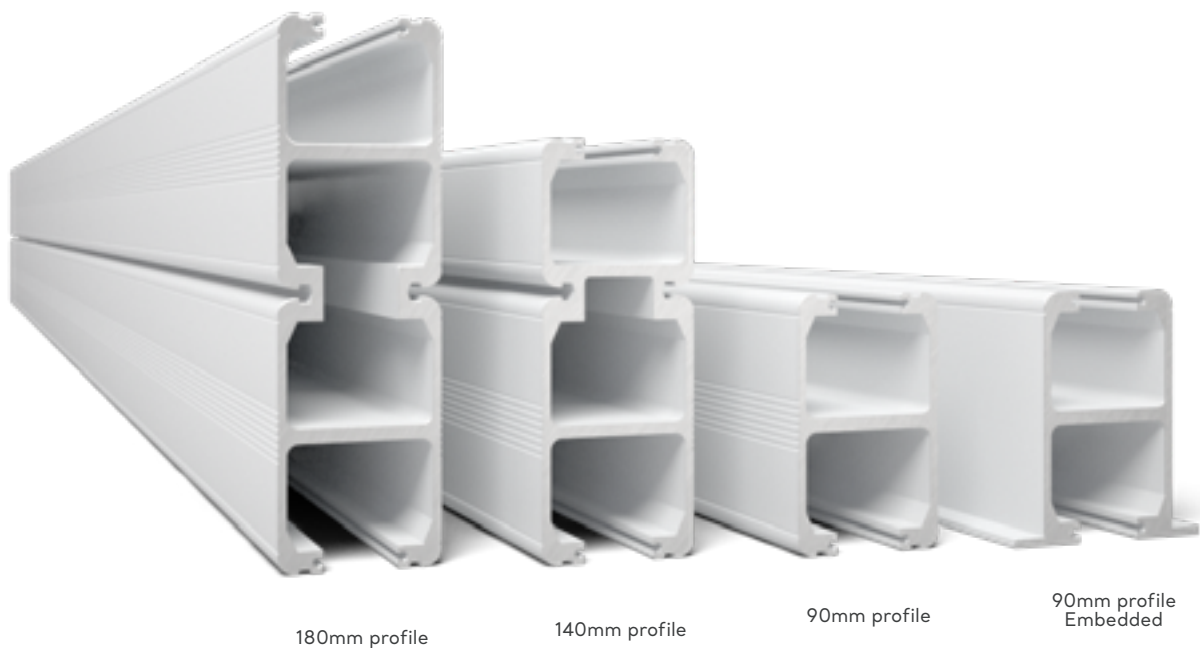
# KWIKtrak rails and accessories



# TRACK SECTION CHART

TYPE & LENGTH	PROFILE								
	90MM	90MM WITH MACHINED END	90MM EMBEDDED	90MM EMBEDDED WITH MACHINED END	90MM DRILLED <sup>1</sup>	140MM	140MM WITH MACHINED END	180MM	180MM WITH MACHINED END
<b>STRAIGHT TRACKS</b>									
370mm	225-13002								
2m	200.12800	250-12811	200-13020						
2.5m						200.12876			
3m	200.12810	250.12810	200-13030	250-13031	250-12814	200-12874			
3.5m						200-12872			200.12882
4m	200.12815	250-12812	200-13040	250-13041	250-12816			200.12883	
4.5m						200.12870	250.12871	200.12884	
5m	200-12825					200-12875	200.12885		
5.5m								200.12886	
6m	200.12820	250-12813	250-13060	250-13061	250-12817			200.12880	250.12881
7m						200-12877			
8m								200-12888	
<b>CURVED TRACKS</b>									
45° curve	700.12840	700-12842		700.12850					
90° curve	700.12860	700-12862		700.12865					
45° curve +2x2m straight	700-12841								
90° curve +2x2m straight	700-12861								

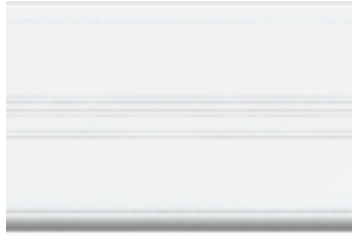
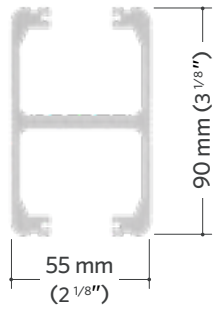
<sup>1</sup> Not all available in all markets, confirm with your local Order Desk to ensure item is available in your region



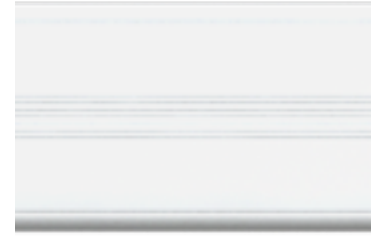
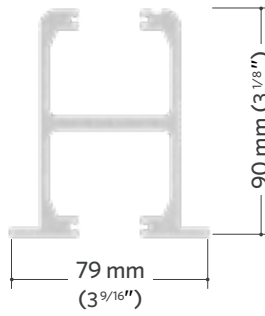


# DIMENSIONS

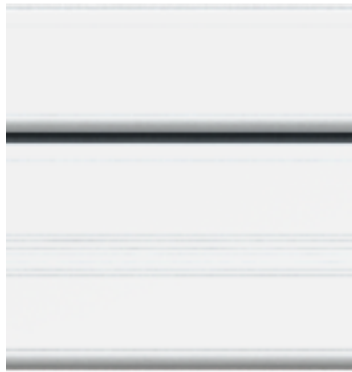
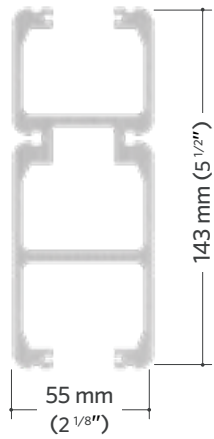
## KWIKtrak 90mm



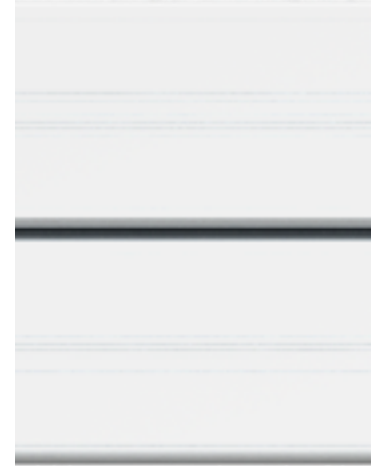
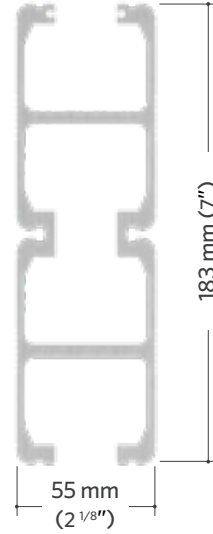
## KWIKtrak 90mm embedded



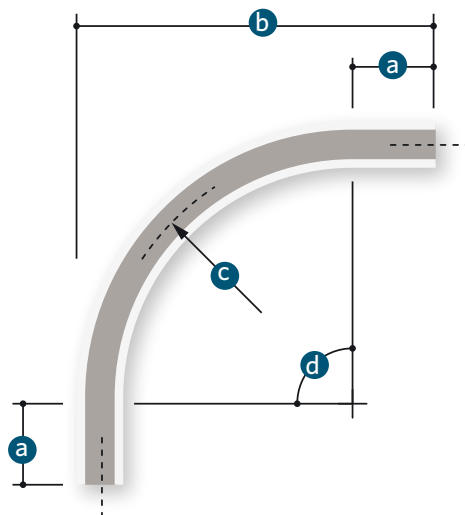
## KWIKtrak 140mm



## KWIKtrak 180mm

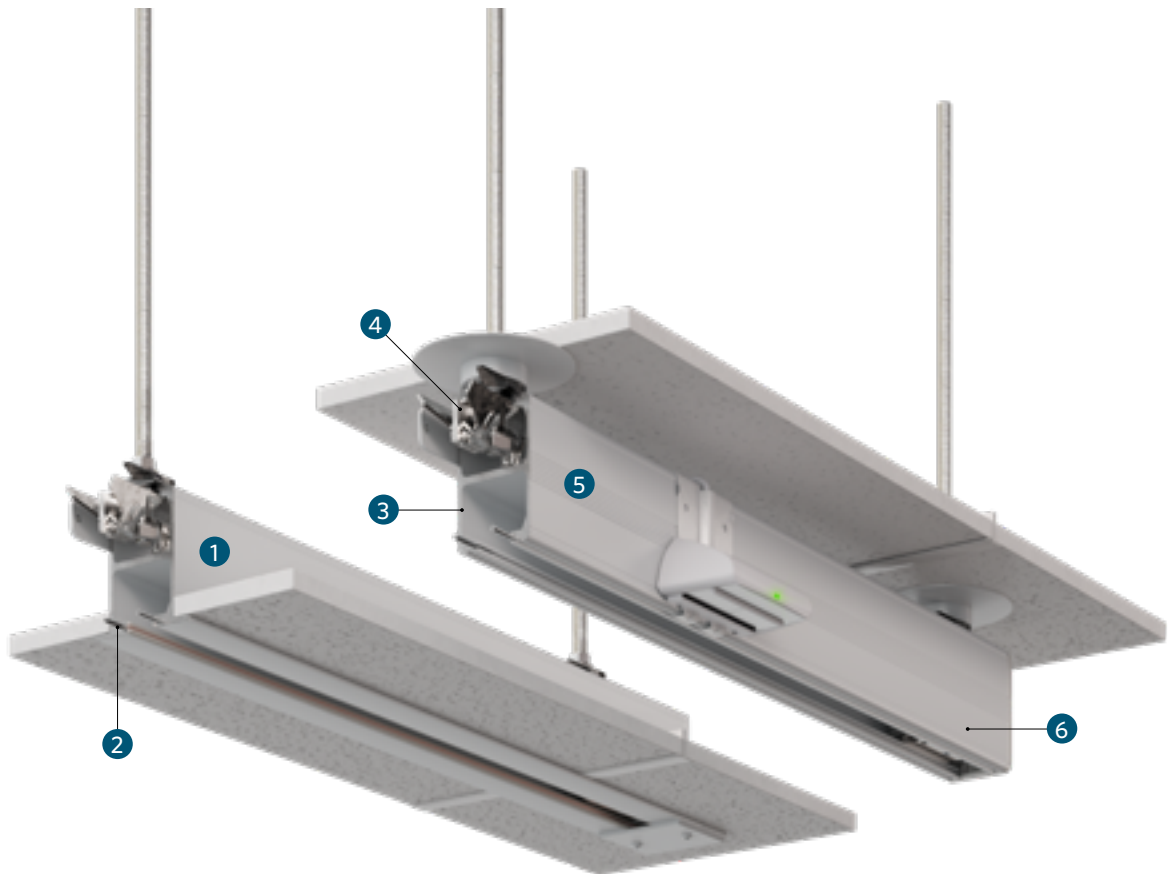


	MEASURE A		MEASURE B		MEASURE C		MEASURE D
H90 45° standard	325 mm	12 <sup>13/16</sup> "	961 mm	37 <sup>13/16</sup> "	585.5 mm	23 <sup>1/16</sup> "	135°
H90 90° standard	150 mm	5 <sup>15/16</sup> "	725 mm	28 <sup>9/16</sup> "	585.5 mm	23 <sup>1/16</sup> "	90°
H90 45° embedded	325 mm	12 <sup>13/16</sup> "	981 mm	38 <sup>5/8</sup> "	585.5 mm	23 <sup>1/16</sup> "	135°
H90 90° embedded	150 mm	5 <sup>15/16</sup> "	745 mm	29 <sup>5/16</sup> "	585.5 mm	23 <sup>1/16</sup> "	90°
H90 45° + 2m	2020mm	79 <sup>1/2</sup> "	2653 mm (+/-25 mm)	104 <sup>7/16</sup> " (+/-0.98")	585.5 mm	23 <sup>1/16</sup> "	135°
H90 90° + 2m	2056 mm	80 <sup>15/16</sup> "	2653 mm (+/-25 mm)	104 <sup>7/16</sup> " (+/-0.98")	585.5 mm	23 <sup>1/16</sup> "	90°
H140 45° large	269 mm	10 <sup>9/16</sup> "	1647 mm	64 <sup>13/16</sup> "	975 mm	38 <sup>3/8</sup> "	135°
H140 90° large	225 mm	8 <sup>7/8</sup> "	1228 mm	48 <sup>3/8</sup> "	975 mm	38 <sup>3/8</sup> "	90°



# Anatomy of a track

KWIKtrak™ includes track, curves, X-Y traverse systems, gates, turntables, exchangers, and many modular components that can be combined to create the ideal 'Fixed tracking' layout for your specific requirements. The modular component concept of KWIKtrak™, especially the patented track bracket, means the system's installation procedure is fast and with minimal disruption to your environment, making sure your Maxi Sky® series of ceiling lifts is up and running promptly.



## 1 EMBEDDED PROFILE

Mounted into the ceiling, this profile equipped with a lip, facilitates seamless integration with your ceiling, which enables a more discrete look as well as increasing lifting stroke.

## 2 TRACK JUNCTIONS

Smooth seamless joints use a unique pin locking system that improves lateral movement and a finished appearance.

## 3 PROFILE DESIGN

Slim symmetrical design rail is aesthetically pleasing and permits a tight turning radius on curves.

## 4 THE TRACK BRACKET

This patented track bracket design ensures a fast installation and facilitates leveling with minimal disruption to your environment. Its built-in locking indicator provides a visual evidence to the inspector confirming the bracket is properly secured.

## 5 STANDARD PROFILE

Typically used and installed below ceilings. The white color with gloss smooth finish blends in nicely into any room decor.

## 6 CLEANING & DISINFECTION

Effective disinfection methods that comply with local or national guidelines.



# Embedded track system

KWIKtrak solution

## CLOSE-UP VIEW



Maxi Sky 2 ECS inside an embedded track equipped with ECS strips

## PART NUMBERS

ARTICLE #	DESCRIPTION
1 <b>200-13020</b>	90 mm - Straight Embedded Track 2000 mm (78 3/4")
1 <b>200-13030</b>	90 mm - Straight Embedded Track 3000 mm (118")
1 <b>200-13040</b>	90 mm - Straight Embedded Track 4000 mm (157")
2 <b>700-13005</b>	Embedded track access zone cover kit
3 <b>225-13002</b>	90 mm - Straight Embedded track with service zone 370 mm (14.5")
4 <b>250-13031</b>	90 mm - Straight Embedded track with service zone 3000 mm (118")
4 <b>250-13041</b>	90 mm - Straight Embedded track with service zone 4000 mm (156")
4 <b>250-13061</b>	90 mm - Straight Embedded track with service zone 6000 mm (236")
5 <b>700-12862</b>	90 mm - 90°, 585.5 mm (23") radius - Embedded Track



## SAFE WORKING LOAD (SWL)

WEIGHT	COMPATIBILITY
200 kg (440 lb)	•
272 kg (600 lb)	•
454 kg (1000 lb)	•



# X-Y System

Room covering system

## LAYOUT EXAMPLE

The X-Y rail system allows the lift to be moved in any direction over a predetermined area, enabling Maxi Sky to cover the entire surface. Moving the ceiling lift in Y axis direction requires moving the lift and the traverse track simultaneously.



# USAGE EXAMPLE

## Two bed patient room



X-Y system covering two beds with extended fixed tracks providing coverage between foot of bed and wall for rehab purposes. Gaps in fixed tracks, maintain patient privacy, permitting the curtains to pass through.

## Bathing room



X-Y system providing full coverage, enabling transfers in shower area and bathing area.

## Single bed bariatric patient room single traverse



A single traverse track bariatric X-Y system covering bed with extended fixed tracks providing coverage between foot of the bed and wall for rehab purposes...

## Single bed bariatric patient room dual traverse



...this solution is also available for Maxi Sky 2 Plus with its dual traverse track system

## Morgue



A single traverse track system can increase work space and efficiency in this type of environment.

## Therapy pool area



At pool side or when patient is in pool, to support rehabilitation exercises during aquatic therapy.

# X-Y TROLLEY OPTIONS FOR 272KG (600 LB)

**Standard X-Y Solution**



**Standard X-Y solution with extended trolley**



**Standard X-Y solution with flush trolley**



**Embedded X-Y Solution**



**Wall Mounted Flush X-Y Solution**



**Curtain Gap with Standard X-Y Solution**





# X-Y TROLLEY OPTIONS FOR 454KG (1000 LB)

**Standard X-Y Solution**



**Recessed X-Y Solution**



**Standard X-Y solution for Maxi Sky 2 Plus**



**Standard X-Y Solution with sprinkler shims**



**Standard X-Y Solution with extended trolley**



Other combinations exists.  
Refer to your regional projects team for more details

## POSSIBLE COMBINATIONS AND POWERING SYSTEM COMPATIBILITY

X-Y SOLUTIONS	WCS	C-STAT/C-STAT	ECS/ECS	ECS/C-STAT
<b>SINGLE TRAVERSE 272 KG (600 lb)</b>				
Standard X-Y solution	•	•	•	•
Recessed X-Y solution	•	•	•	•
Standard X-Y solution with extended trolley	•	•	•	•
Recessed X-Y solution with extended trolley	•	•	•	•
Standard X-Y solution with flush trolley	•		•	•
Embedded X-Y solution	•		•	•
Embedded X-Y solution with extended trolley	•		•	•
Wall mounted X-Y solution with flush trolley (Wall insert)	•		•	•
Wall mounted X-Y solution with flush trolley (pre-drilled tracks)	•		•	•
Wall post X-Y solution	•	•	•	•
Wall bracket X-Y solution	•	•	•	•
Standard X-Y solution with curtain gap	•	•		
Standard X-Y solution with extended trolley and curtain gap	•	•		
<b>SINGLE TRAVERSE 454 KG (1000 lb)</b>				
Standard X-Y solution		•	•	•
Embedded X-Y solution		Doesn't exist		
Recessed X-Y solution		•	•	•
<b>DUAL TRAVERSE (MS2 Plus) 454 KG (1000 lb)</b>				
Standard X-Y solution		•	•	•
Recessed X-Y solution		•	•	•
Standard X-Y solution with extended trolley		•	•	•
Recessed X-Y solution with extended trolley		•	•	•
Embedded X-Y solution			•	•
Embedded X-Y solution with extended trolley			•	•
Standard X-Y solution with curtain gap		•		
Standard X-Y solution with extended trolley and curtain gap		•		

Note: Eventhough the WCS is not a tracking powering system, we've added it to this table for convenience. The WCS is compatible with Maxi Sky 2 and Maxi Sky 2 Infection Control.

# PART NUMBERS

## ARTICLE # DESCRIPTION

272 KG (600 LB) X-Y TROLLEY (SINGLE TRACK)		
1	<b>700-11224</b>	Flush X-Y trolley kit 272 kg (600 lb)
2	<b>700-11225</b>	Universal KWIKtrak X-Y trolley kit 272 kg (600 lb)
3	<b>700.11226</b>	Extended X-Y trolley kit 272 kg (600 lb)
4	<b>700-11245</b>	Wheel kit «Add-on» for curtain pass through
5	<b>700.15570</b>	Retaining assembly KWIKtrak for X-Y (Not compatible with ECS)
6	<b>700-15760</b>	ECS Gate ramps kit
7	<b>700-11228</b>	Wiring Kit ECS to ECS
8	<b>700-11227</b>	ECS - Charging station wire kit
9	<b>700-11241</b>	Kit contact blade adaptor C-Stat
10	<b>700-11286</b>	Sprinkler spacer kit for X-Y <sup>(1)</sup>

## 454 KG (1000 LB) X-Y TROLLEY (DUAL TRACK)

2	<b>700-11225</b>	Universal KWIKtrak X-Y trolley kit 272 kg (600 lb)
3	<b>700.11226</b>	Extended X-Y trolley kit 272 kg (600 lb)
4	<b>700-11245</b>	Wheel kit «Add-on» for curtain pass through
5	<b>700.15570</b>	Retaining assembly KWIKtrak for X-Y (Not compatible with ECS)
6	<b>700-15760</b>	ECS Gate ramps kit
7	<b>700-11228</b>	Wiring Kit ECS to ECS
8	<b>700-11227</b>	ECS - Charging station wire kit
9	<b>700-11241</b>	Kit contact blade adaptor C-Stat
10	<b>700-11286</b>	Sprinkler spacer kit for X-Y <sup>(2)</sup>

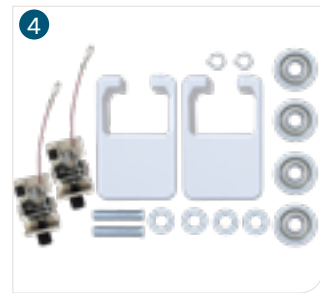
## 200-31237 X-Y trolley link (1 pc)

## 454 KG (1000 LB) X-Y TROLLEY (SINGLE TRACK)

5	<b>700.15570</b>	Retaining assembly KWIKtrak for X-Y (Not compatible with ECS)
11	<b>700-11070</b>	X-Y trolley kit 454kg (1000 lb)
12	<b>700.15510</b>	Charger interface (CSTAT) for X-Y trolley kit 454 kg (1000 lb)
13	<b>700-11075</b>	Charger interface (ECS-CSTAT) for X-Y trolley kit 454 kg (1000 lb)
14	<b>700-11080</b>	Charger interface (ECS-ECS) for X-Y trolley kit 454 kg (1000 lb)

<sup>1</sup> Compatible with #700-11224, #700-11225 & #700-11226  
<sup>2</sup> Compatible with #700-11225 & #700-11226

For an exhaustive list, refer to document:  
*KWIKtrak X-Y Track System - Installation Instructions Solution for 454 kg (1000 lb) #001-11276*



Page intentionally left blank



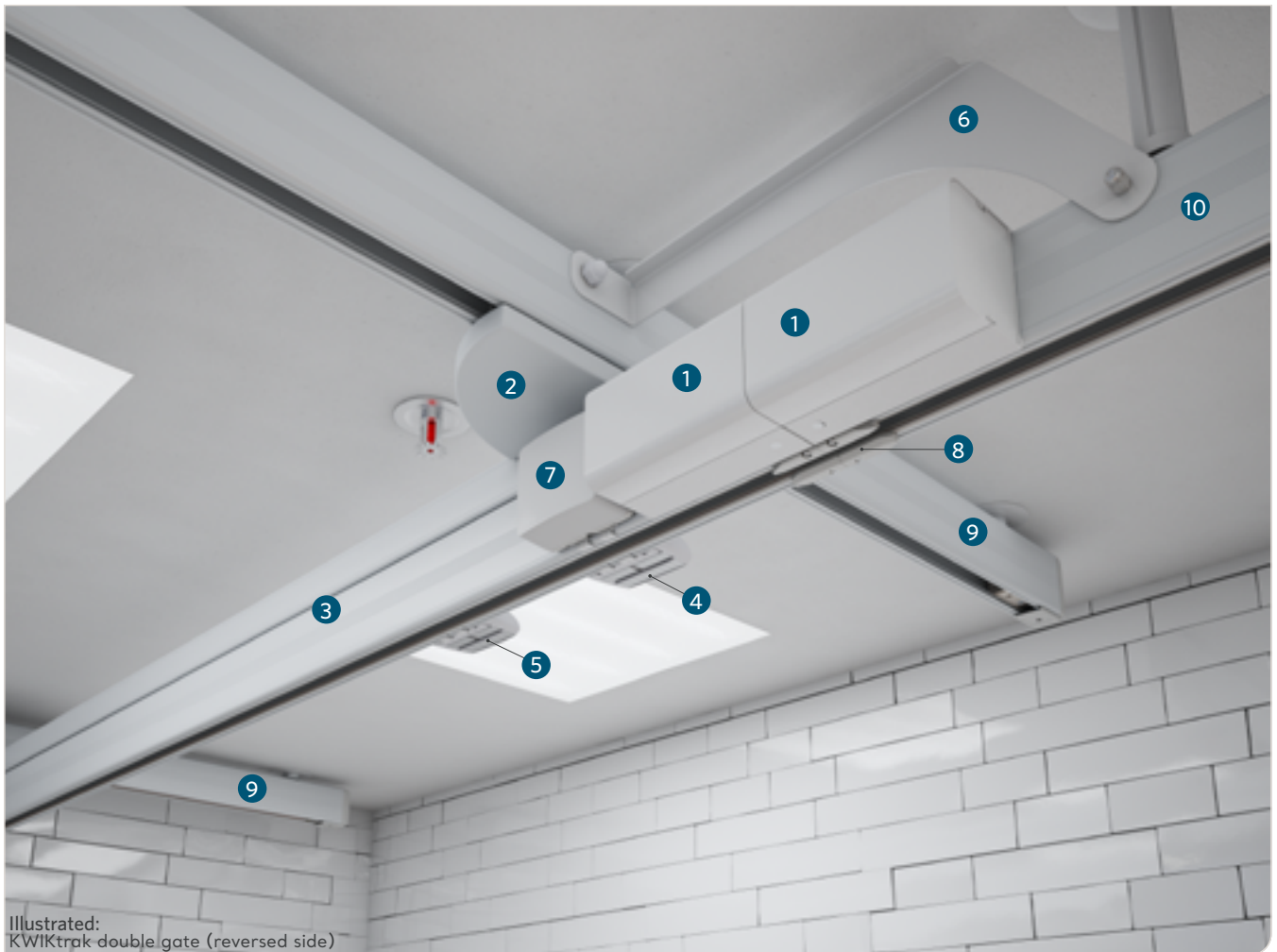
# Gate

Locks tracks together when linking two rail systems

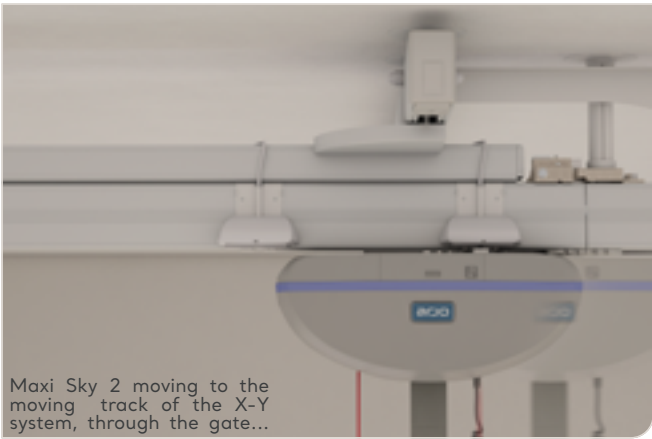
# Anatomy of the gate system

The KWIKtrak Gate system is a track accessory to be used with the KWIKtrak tracking system, and a fixed ceiling lift like Maxi Sky 2. The Gate system allows the ceiling lift to travel from a mobile 'traverse' track section to a Linear track section and/or vice versa.

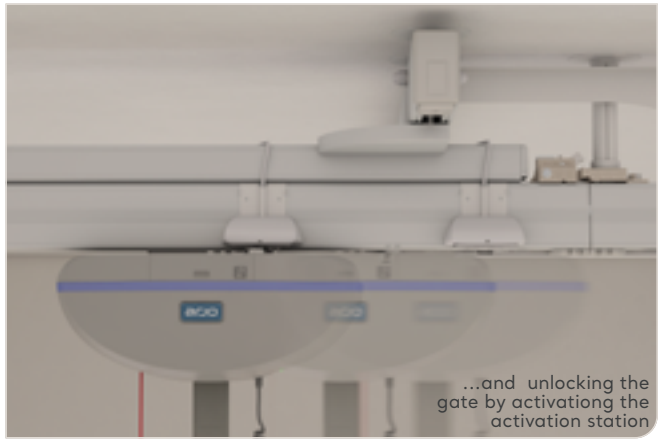
## KEY FEATURES



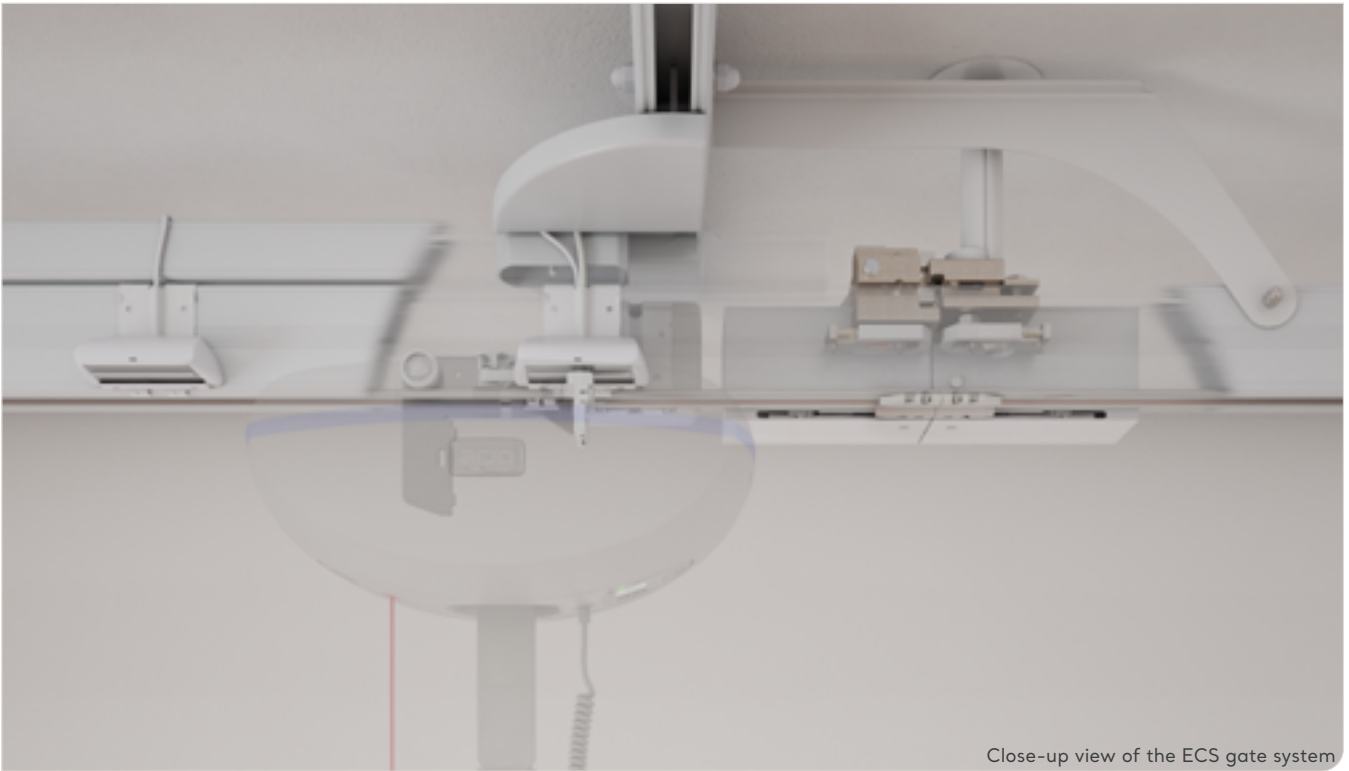
- 1 Gate boxes
- 2 X-Y Trolley
- 3 Mobile track (traverse)
- 4 Activation station
- 5 Deactivation station
- 6 Support arm
- 7 Energy reserve box
- 8 ECS ramps kit (optional)
- 9 Fixed tracks
- 10 Continuing linear tracks



Maxi Sky 2 moving to the moving track of the X-Y system, through the gate...



...and unlocking the gate by activating the activation station



Close-up view of the ECS gate system



Another close-up view of an ECS gate for Maxi Sky 2 Plus

## GATE COMPATIBILITY W/ CEILING LIFTS

## SAFE WORKING LOAD (SWL)

CEILING LIFTS	COMPATIBILITY
Maxi Sky 440	
Maxi Sky 2 Series(C-Stat)	•
Maxi Sky 2 Series (ECS)	•
Maxi Sky 1000 (C-Stat)	
Maxi Sky 1000 (ECS)	
Maxi Sky 2 Plus Series (C-Stat)	•
Maxi Sky 2 Plus Series (ECS)	•

WEIGHT	COMPATIBILITY
100 kg (220 lb)	•
200 kg (440 lb)	•
272 kg (600 lb)	•
454 kg (1000 lb)	•

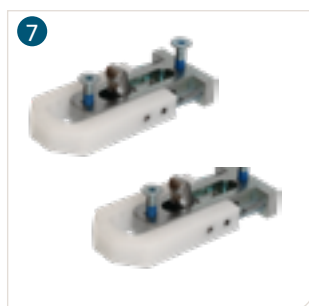


# PART NUMBERS

## Maxi Sky 2 Series Gate system

ARTICLE #	DESCRIPTION
1 <b>700-11502</b>	KWIKtrak Single Gate System 272 kg (600lb)
2 <b>700-11508</b>	KWIKtrak Double Gate System 272 kg (600lb)
3 <b>700-11561</b>	KWIKtrak gate motor box
4 <b>700-11569</b>	KWIKtrak 3 contacts interface kit for gate
5 <b>700-11566</b>	KWIKtrak double contact box for gate
6 <b>700.11590</b>	KWIKtrak energy reserve box for gate
7 <b>700-11510</b>	KWIKtrak gate DF locker
8 <b>700.11635</b>	KWIKtrak gate reinforcement kit
9 <b>450-00058</b>	Proximity magnet kit

For an exhaustive list, refer to document:  
*KWIKtrak Gate System - Parts List - Instruction for use*  
 #001-11507

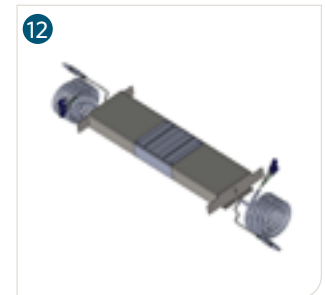
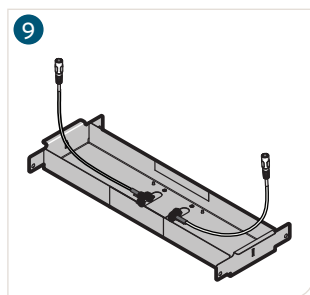
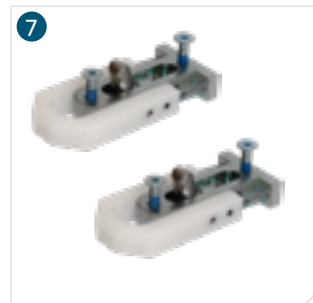


# PART NUMBERS

## Maxi Sky 2 Plus Series Gate system

ARTICLE #	DESCRIPTION
1 <b>700-31297</b>	KWIKtrak MS2Plus Single Gate System 454 kg (1000 lb)
2 <b>700-31254</b>	KWIKtrak MS2Plus Double Gate System 454 kg (1000 lb)
3 <b>700-11561</b>	KWIKtrak gate motor box
4 <b>700-11569</b>	3-contact interface kit for universal trolleys
5 <b>700-11566</b>	Double contact box kit
6 <b>700.11590</b>	KWIKtrak energy reserve box for gate
7 <b>700-11510</b>	KWIKtrak gate DF locker
8 <b>700.11635</b>	KWIKtrak gate reinforcement kit
9 <b>700-31298</b>	Charging station MS2 Plus
10 <b>402-31234</b>	MS2 Plus Dual Gate Connection Cable
11 <b>700-31291</b>	ACT STAT Double gate MS2 Plus
12 <b>700-31290</b>	ACT STAT Single gate MS2 Plus
13 <b>450-00058</b>	Proximity magnet kit
14 <b>225-31284</b>	Alignment plate

For an exhaustive list, refer to document:  
*KWIKtrak Gate System - Parts List - Instruction for use*  
 #001-11507



# GATE FOR MAXI SKY 2 USAGE EXAMPLES

## Standard X-Y Solution with Single Gate



An X-Y traverse system combined with a gate and single track. Creates a convenient and comfortable solution for bedroom coverage and toilet access.

Parts required for this gate system <sup>1</sup>:

ARTICLE #	DESCRIPTION
700-11502	KWIKtrak Single Gate System 272 kg (600 lb)

## Single X-Y Solution with Double Gate

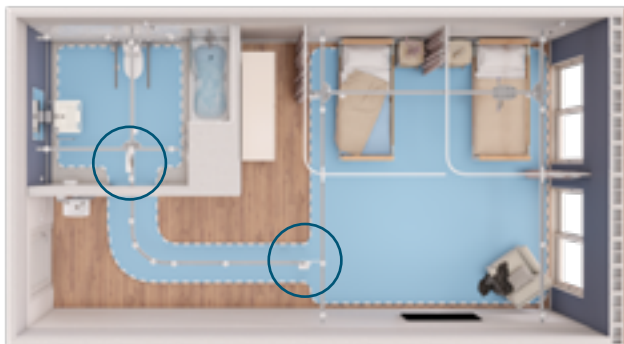


An X-Y traverse system combined with a double gate and two single tracks. Creates a convenient and comfortable solution for small bedroom coverage and toilet access with a charging zone out of the main area.

Parts required for this gate system <sup>1</sup>:

ARTICLE #	DESCRIPTION
700-11508	KWIKtrak Double Gate System 272 kg (600 lb)

## Two X-Y Solutions with Double Gate



Two times X-Y traverse system linked together via a single track. Creates a convenient and comfortable solution for bedroom coverage access.

Part numbers required for this layout <sup>1</sup>:

ARTICLE #	DESCRIPTION
700-11508	KWIKtrak Double Gate System 272 kg (600 lb)

<sup>1</sup> This parts list contains only the components required for the regular gate assembly. Tracking, motors, powering, ECS compatibility and others accessories are not included.

# GATE FOR MAXI SKY 2 PLUS USAGE EXAMPLES

## X-Y (single gate tracking solution)



An X-Y tracking solution providing full room coverage within the patient's room combined with a single Gate System and tracking leading into the en-suite bathroom.

Parts required for this gate system<sup>1</sup>:

ARTICLE #	DESCRIPTION
<b>700-31297</b>	KWIKtrak MS2Plus Single Gate System 454 kg (1000 lb)

## Two X-Y (Double Gate) solution

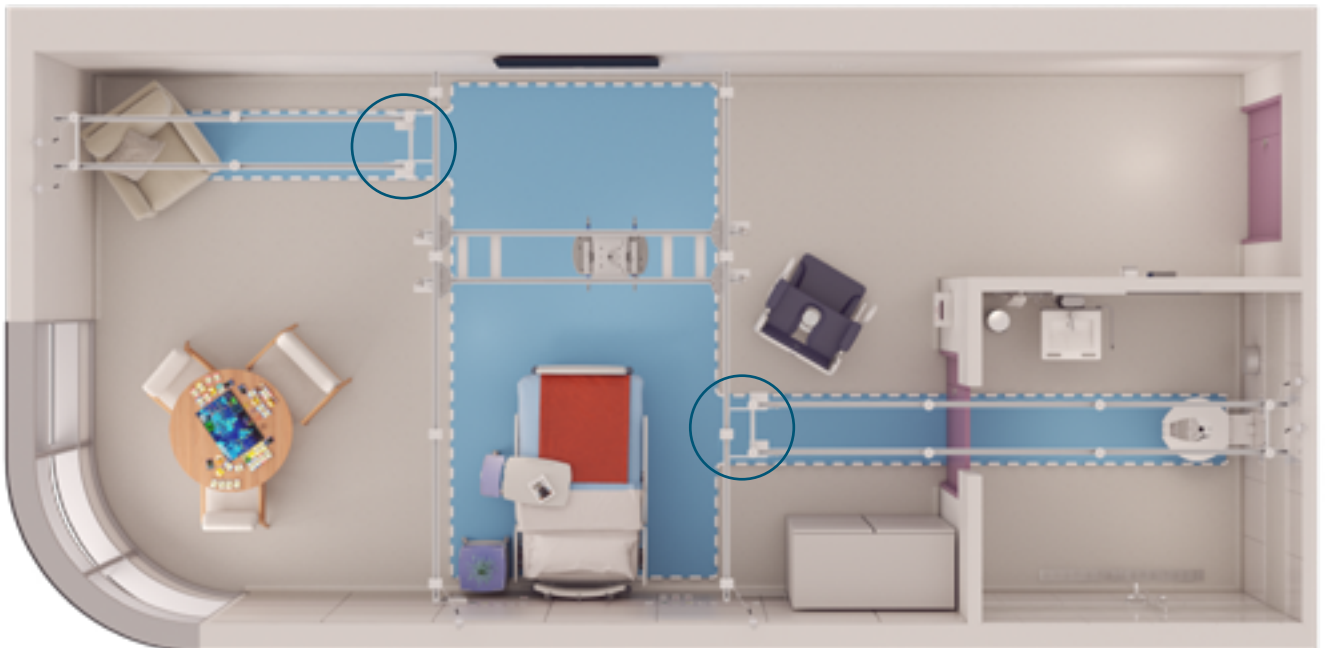


Full-room coverage in both the patient's room and the en-suite, linked together with a straight track configuration using a Double Gate system.

Parts required for this gate system<sup>1</sup>:

ARTICLE #	DESCRIPTION
<b>700-31254</b>	KWIKtrak MS2Plus Double Gate System 454 kg (1000 lb)

## Single X-Y (Double Gate) solution



Full-room coverage in the patient's room and single tracks branching off on either side of the single X-Y, using the Double Gate system.

Parts required for this gate system<sup>1</sup>:

ARTICLE #	DESCRIPTION
<b>700-31254</b>	KWIKtrak MS2Plus Double Gate System 454 kg (1000 lb)

<sup>1</sup> This parts list contains only the components required for the regular gate assembly. Tracking, motors, powering, ECS compatibility and others accessories are not included.



# Turntable

Run tracks in multiple directions

## LAYOUT EXAMPLE



## PART NUMBERS

ARTICLE #	DESCRIPTION
1 <b>700.11600</b>	Automatic Turntable for fix ceiling lifts
2 <b>700-11850</b>	Manual Turntable for portable or fixed ceiling lifts
<b>700.15525</b>	Additional contact box
<b>700.11751</b>	Bottom cover (including extended plate)
<b>700.15565</b>	Extended contact station bracket



## COMPATIBILITY WITH CEILING LIFTS

CEILING LIFTS	AUTOMATIC TURNTABLE	MANUAL TURNTABLE
Maxi Sky 440		•
Maxi Sky 2 Series (C-Stat)	•	•
Maxi Sky 2 Series (ECS)		
Maxi Sky 1000 (C-Stat)		
Maxi Sky 1000 (ECS)		
Maxi Sky 2 Plus Series		

## SAFE WORKING LOAD (SWL)

WEIGHT	COMPATIBILITY
100 kg (220 lb)	•
200 kg (440 lb)	•
272 kg (600 lb)	•
454 kg (1000 lb)	

### Notes:

<sup>1</sup> Both Automatic turntable and Manual turntable are compatible with 90mm KWIKTrak rails only.

<sup>2</sup> They cannot be embedded into the ceiling, nor used with embedded tracks.



Maxi Sky 2 IC approaching the automatic turntable



Maxi Sky 2 IC entering into the automatic turntable



Maxi Sky 2 IC on the automatic turntable following 90 degrees rotation

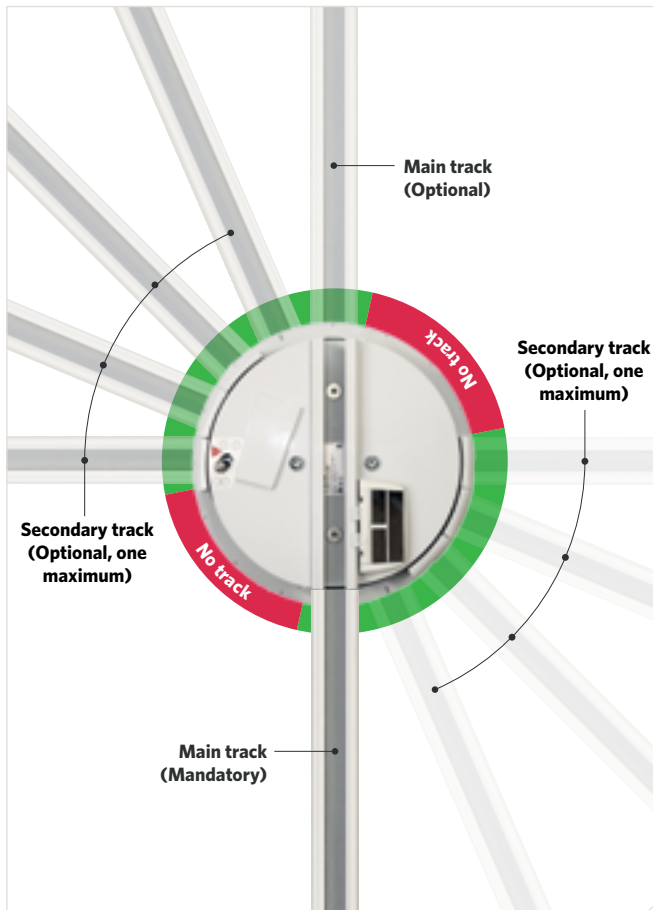


Maxi Sky 2 IC leaving the automatic turntable



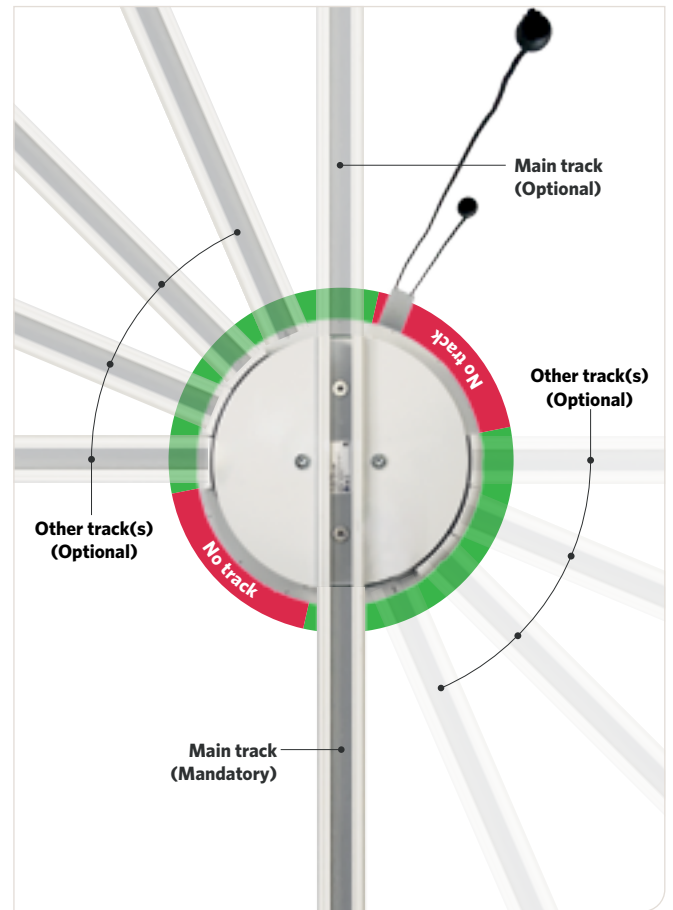
Complex layouts can be achieved with different turntables and other KWIKtrak accessoires

## SET UP (AUTOMATIC TURNTABLE)



The automatic turntable allows a rotation of the ceiling lift in TWO axis maximum, with an increment of 22.5°

## SET UP (MANUAL TURNTABLE)

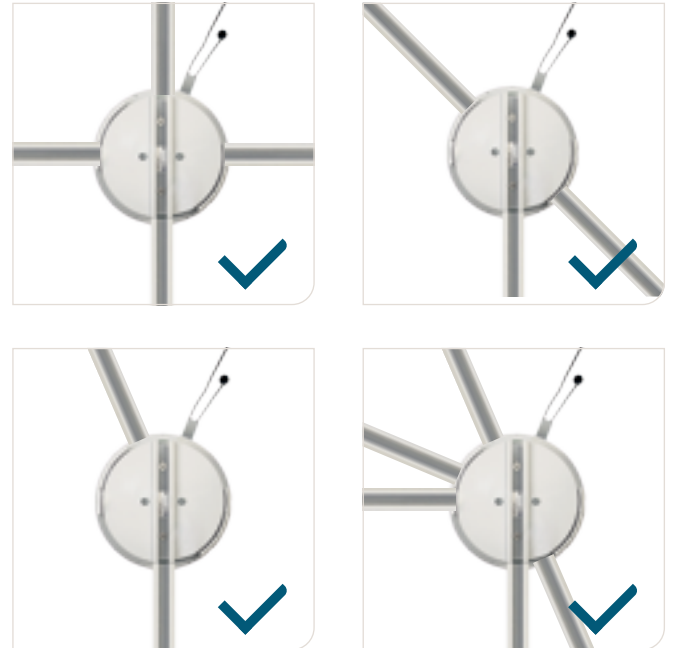


The manual turntable allows a rotation of the ceiling lift up to FIVE axis, with an increment of 22.5°

### Examples of possible configurations



### Examples of possible configurations







# Exchanger

Run tracks in different directions

## LAYOUT EXAMPLE



## PART NUMBER

ARTICLE #	DESCRIPTION
1 <b>700.11700</b>	Exchanger for fixed ceiling lifts



## COMPATIBILITY WITH CEILING LIFTS

CEILING LIFTS	COMPATIBILITY
Maxi Sky 440	
Maxi Sky 2 Series (C-Stat)	•
Maxi Sky 2 Series (ECS)	
Maxi Sky 1000	
Maxi Sky 2 Plus Series	

## SAFE WORKING LOAD (SWL)

WEIGHT	COMPATIBILITY
100 kg (220 lb)	•
200 kg (440 lb)	•
272 kg (600 lb)	•
454 kg (1000 lb)	



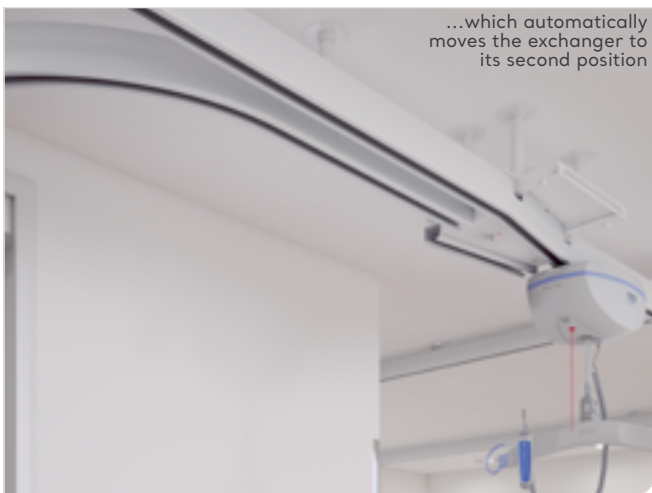
A Maxi Sky 2 IC and an exchanger



Maxi Sky 2 IC entering in an exchanger



Maxi Sky 2 IC activates the contact station...

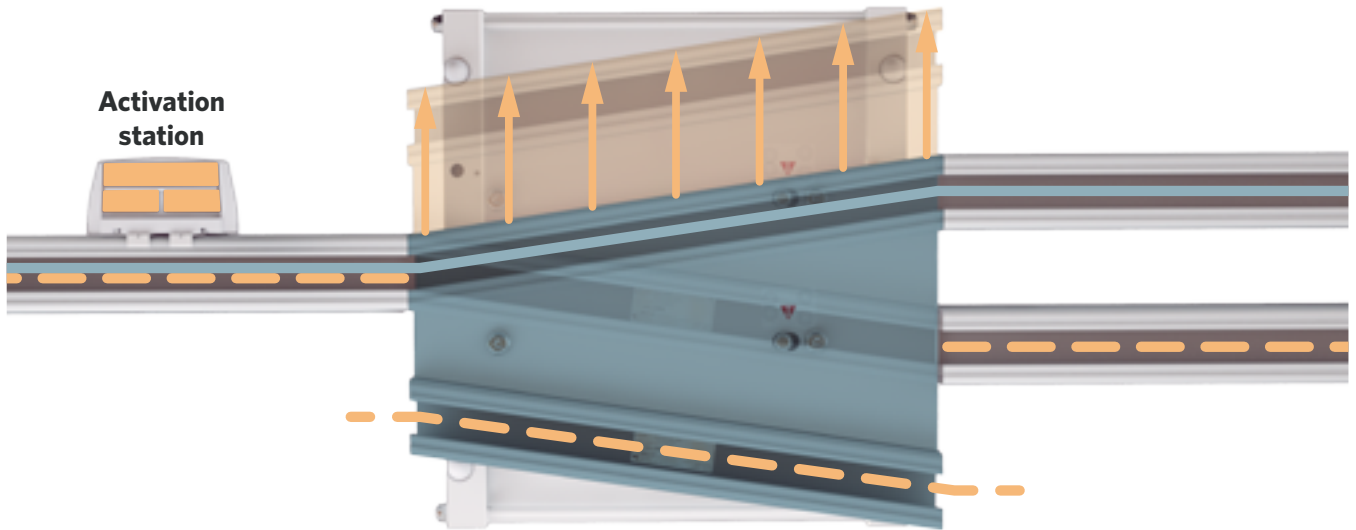


...which automatically moves the exchanger to its second position



The motor has now access to the other rail

## SET UP



**Notes:**

<sup>1</sup> The exchanger is compatible with 90mm KWIKTrak rails only.

<sup>2</sup> It cannot be embedded into the ceiling, nor used with embedded tracks.



# Cathedral ceiling bracket

Track bracket for sloped structure

## CLOSE-UP VIEWS



### PART NUMBER

ARTICLE #	DESCRIPTION
1 <b>700.11370</b>	Cathedral Ceiling Bracket
2 <b>200.12970</b>	Rod cover
3 <b>700.11380</b>	Visible Lateral Brace (Rod cover tubing required)



### COMPATIBILITY WITH CEILING LIFTS

CEILING LIFTS	COMPATIBILITY
Maxi Sky 440	•
Maxi Sky 2 Series(C-Stat)	•
Maxi Sky 2 Series (ECS)	•
Maxi Sky 1000 (C-Stat)	
Maxi Sky 1000 (ECS)	
Maxi Sky 2 Plus Series	

### SAFE WORKING LOAD (SWL)

WEIGHT	COMPATIBILITY
200 kg (440 lb)	•
272 kg (600 lb)	•
454 kg (1000 lb)	



## Wall bracket

Wall fixation method when above ceiling is inaccessible or sloped

# LAYOUT EXAMPLE



## PART NUMBER

ARTICLE #	DESCRIPTION
1 <b>700.11020</b>	Wall bracket
2 <b>000.01205</b>	Strut 13/16, white 10'
3 <b>000.01215</b>	White Cap for 13/16 Hilti Strut
3 <b>000.01217</b>	White Cap for 1 5/8 Hilti Strut



## COMPATIBILITY WITH CEILING LIFTS

CEILING LIFTS	COMPATIBILITY
Maxi Sky 440	•
Maxi Sky 2 Series (C-Stat)	•
Maxi Sky 2 Series (ECS)	•
Maxi Sky 1000 (C-Stat)	
Maxi Sky 1000 (ECS)	
Maxi Sky 2 Plus Series	

## SAFE WORKING LOAD (SWL)

WEIGHT	COMPATIBILITY
200 kg (440 lb)	•
272 kg (600 lb)	•
454 kg (1000 lb)	





## Wall post

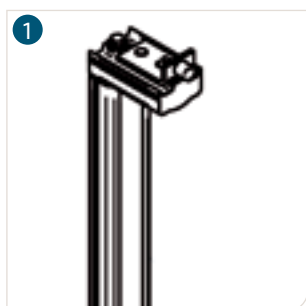
Wall fixation method when above ceiling is inaccessible or sloped

## LAYOUT EXAMPLE



### PART NUMBER

ARTICLE #	DESCRIPTION
1 <b>700.12900</b>	End of Track Wall Post 3000 mm (118")
2 <b>225.12915</b>	Floor adaptor for Post 150 mm (5.91")
3 <b>200.12980</b>	Wall Post Shim 3.2 mm (1/8")
3 <b>200.12985</b>	Wall Post Shim 6.4 mm (1/4")
4 <b>000.03660</b>	Anchor HSL M8/20 (to fix spacer on Wall Post)



### COMPATIBILITY WITH CEILING LIFTS

CEILING LIFTS	COMPATIBILITY
Maxi Sky 440	•
Maxi Sky 2 Series(C-Stat)	•
Maxi Sky 2 Series (ECS)	•
Maxi Sky 1000 (C-Stat)	
Maxi Sky 1000 (ECS)	
Maxi Sky 2 Plus Series	

### SAFE WORKING LOAD (SWL)

WEIGHT	COMPATIBILITY
200 kg (440 lb)	•
272 kg (600 lb)	•
454 kg (1000 lb)	



## Wall post/Side mounted

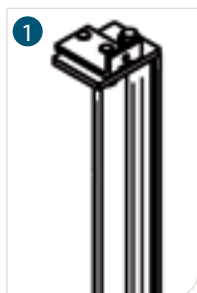
Wall fixation method when above ceiling is inaccessible or sloped

## LAYOUT EXAMPLE



## PART NUMBER

ARTICLE #	DESCRIPTION
1 <b>700.12910</b>	Wall Post Side Mounted 3000 mm (118")
2 <b>225.12915</b>	Floor adaptor for Post 150 mm (5.91")
3 <b>200.12980</b>	Wall Post Shim 3.2 mm (1/8")
3 <b>200.12985</b>	Wall Post Shim 6.4 mm (1/4")
4 <b>000.03660</b>	Anchor HSL M8/20 (to fix spacer on Wall Post)
5 <b>700.11220</b>	Track "T" Junction bracket



## COMPATIBILITY WITH CEILING LIFTS

CEILING LIFTS	COMPATIBILITY
Maxi Sky 440	•
Maxi Sky 2 Series(C-Stat)	•
Maxi Sky 2 Series (ECS)	•
Maxi Sky 1000 (C-Stat)	
Maxi Sky 1000 (ECS)	
Maxi Sky 2 Plus Series	

## SAFE WORKING LOAD (SWL)

WEIGHT	COMPATIBILITY
200 kg (440 lb)	•
272 kg (600 lb)	•
454 kg (1000 lb)	



# Wall mount

Wall fixation method for concrete, bricks or wooden studs

# LAYOUT EXAMPLE



## PART NUMBER

ARTICLE #	DESCRIPTION
1 <b>204-00007</b>	Wall mount support
2 <b>200-11287</b>	Wall mount rail cap
3 <b>200-11282</b>	Wall mount shim



## COMPATIBILITY WITH CEILING LIFTS

CEILING LIFTS	COMPATIBILITY
Maxi Sky 440	•
Maxi Sky 2 Series(C-Stat)	•
Maxi Sky 2 Series (ECS)	•
Maxi Sky 1000 (C-Stat)	
Maxi Sky 1000 (ECS)	
Maxi Sky 2 Plus Series	

## SAFE WORKING LOAD (SWL)

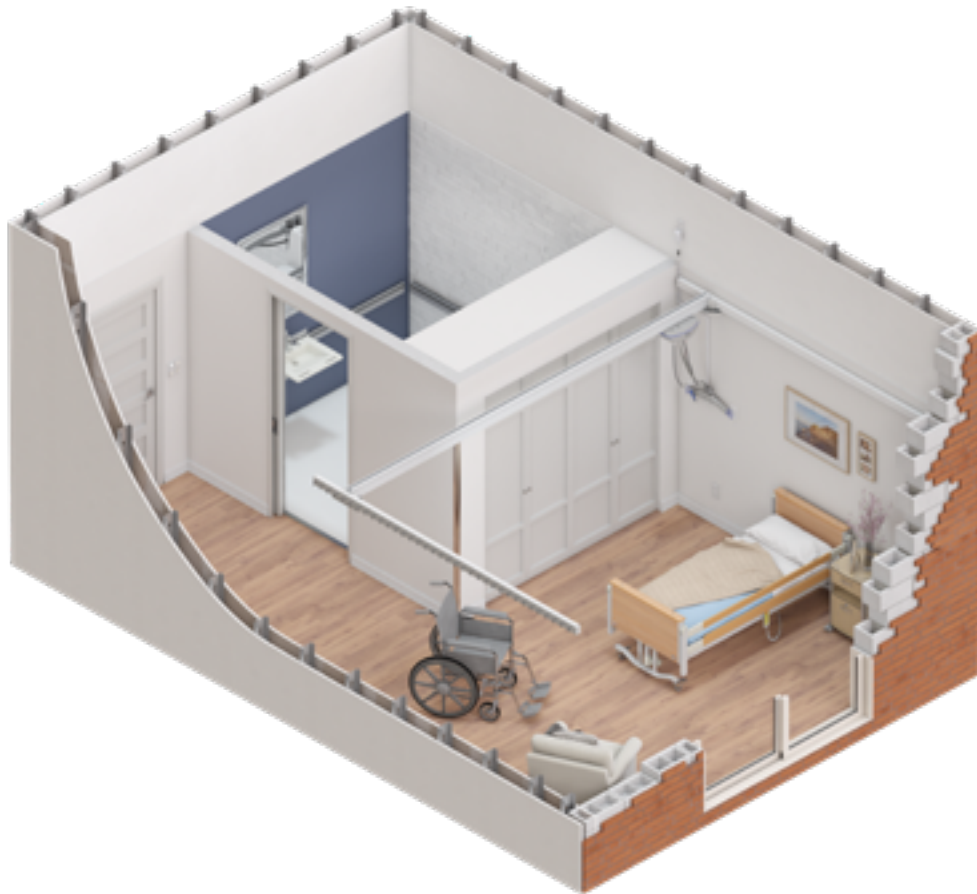
WEIGHT	COMPATIBILITY
200 kg (440 lb)	•
272 kg (600 lb)	•
454 kg (1000 lb)	



# Wall mount

Wall fixation method for steel studs with drywall

## LAYOUT EXAMPLE



### PART NUMBER

ARTICLE #	DESCRIPTION
250-12814	KWKltrak 90 drilled, 3000 mm
250-12816	KWKltrak 90 drilled, 4000 mm
250-12817	KWKltrak 90 drilled, 6000 mm
000-11002	Toggler anchor M6
000-03229	Button head M6 x 60 mm bolt
200-11016	Face cap for H90 KWIKtrak 4000 mm
200-11282	Wall mount shim

Note:  
Solution availability may vary depending on your country/  
region.

### COMPATIBILITY WITH CEILING LIFTS

CEILING LIFTS	COMPATIBILITY
Maxi Sky 440	•
Maxi Sky 2 Series	•
Maxi Sky 1000 (C-Stat)	
Maxi Sky 1000 (ECS)	
Maxi Sky 2 Plus Series	

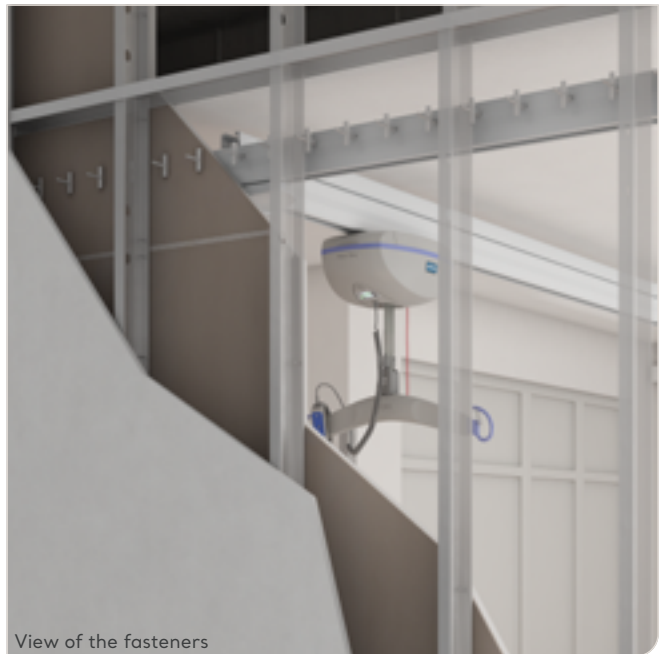
### SAFE WORKING LOAD (SWL)

WEIGHT	COMPATIBILITY
200 kg (440 lb)	•
272 kg (600 lb)	
454 kg (1000 lb)	





Close-up of the trolley for portable hoist inside the moving track, and the X-Y trolley.



View of the fasteners



Page intentionally left blank



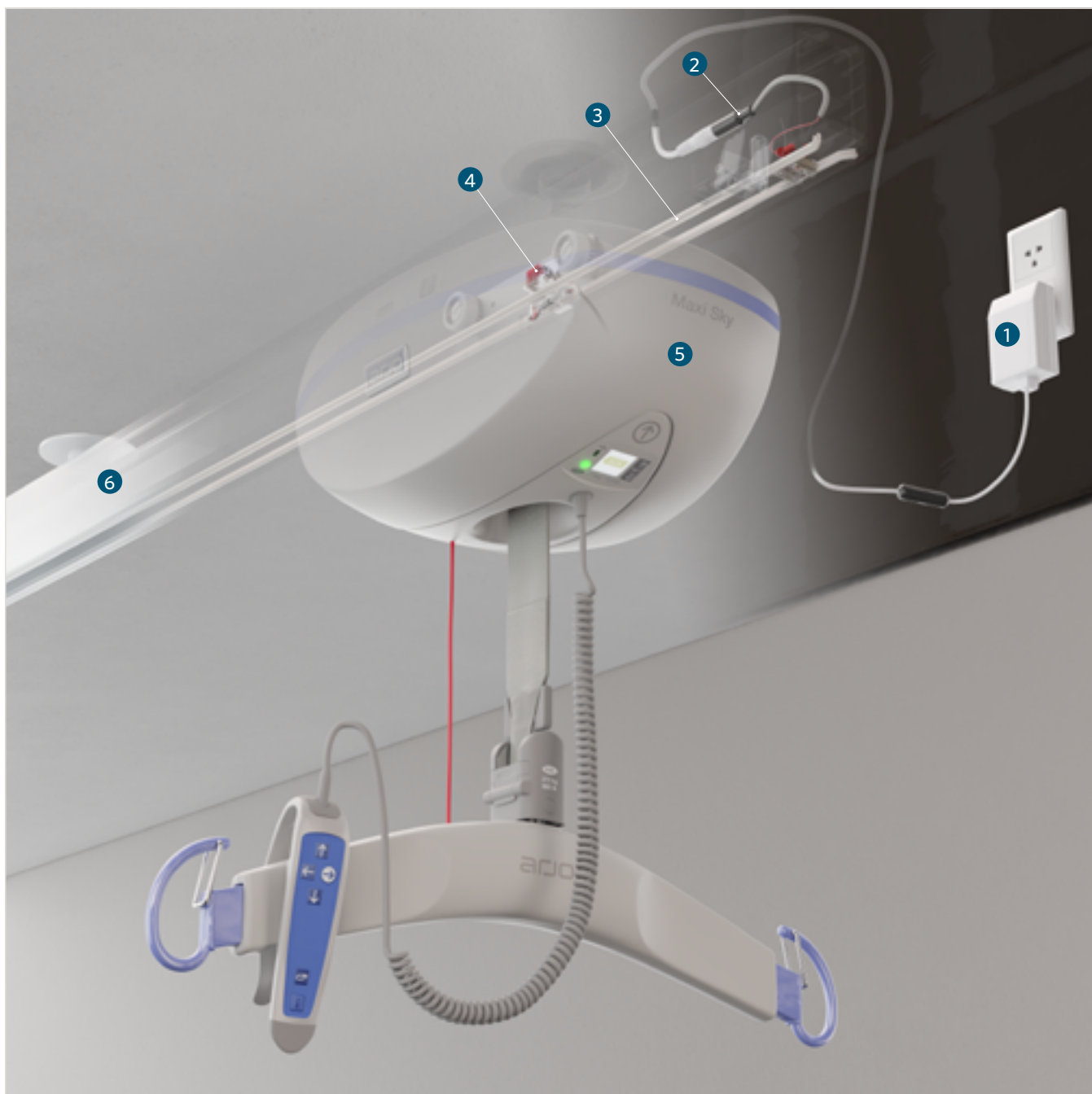
# Enhanced Charging System (ECS)

Charge anywhere along the track layout

# Anatomy of the ECS

The Enhanced Charging System (ECS) rail system allows the ceiling lift to charge anywhere it is left on the tracking layout. It eliminates the user to return the ceiling lift to the charger following the patient transfer. Within 15 seconds of releasing a button on the handset, the ceiling lift will commence topping up it's battery energy.

## KEY FEATURES



1 Power supply

2 End of track wire kit

3 ECS strips

4 ECS contact

5 Maxi Sky 2

The ECS system is available as an option with Maxi Sky 2, Maxi Sky 2 IC, Maxi Sky 2 Plus and Maxi Sky 1000.

6 KWIKtrak rails

The ECS system is compatible with the complete KWIKtrak rails system, including the Gate system

## PART NUMBERS

ARTICLE #	DESCRIPTION
1 <b>200-07676</b>	ECS contact strip 25 m (82')
1 <b>200-07675</b>	ECS contact strip 50 m (164')
1 <b>200.07665</b>	ECS contact strip 100 m (228')
2 <b>700-07654</b>	ECS end of track wire kit
3 <b>700.07651</b>	ECS end cap assembly
4 <b>700-11228</b>	Wiring Kit ECS to ECS
5 <b>700-11227</b>	Wiring Kit ECS to Charging station
6 <b>700-07652</b>	ECS end of track kit
7 <b>700-15760</b>	ECS Gate ramps kit
<b>700-11075</b>	Wiring kit ECS to Charging station (454kg X-Y)
<b>700-11080</b>	Wiring kit ECS to ECS (454kg X-Y)

For an exhaustive list, refer to document:  
*KWIKtrak ECS System - Installation Instructions #001.07650*



## COMPATIBILITY WITH CEILING LIFTS

CEILING LIFTS	COMPATIBILITY
Maxi Sky 440	
Maxi Sky 2 Series	•
Maxi Sky 1000	•
Maxi Sky 2 Plus Series	•

## COMPATIBILITY W/ TRACK LAYOUT AND ACCESSORIES

CEILING LIFTS	COMPATIBILITY
Linear	•
Linear with curves	•
X-Y system	•
X-Y System with Gate	•
Turntable	
Exchanger	
Curtain jump	

Page intentionally left blank



# Competitor and legacy tracks compatibility

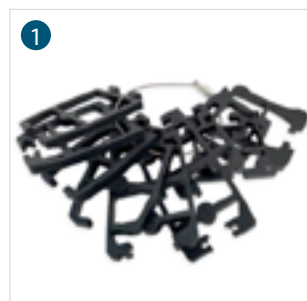
Use your Maxi Sky 2 on other tracking systems

Over the years, Arjo developed various solutions that allow some of our ceiling lifts to be installed on competitor or legacy tracks.

The replacement of our legacy products or products from the competition represents an important opportunity for the group, but it also brings different challenges that require a specific process to ensure we provide the right advices and solutions to our customers.

## PART NUMBERS

ARTICLE #	DESCRIPTION
1 <b>005-05011</b>	CLT Profile matching kit (Americas)
1 <b>005-05012</b>	CLT Profile matching kit (Rest of the world)



## COMPATIBILITY WITH CEILING LIFTS

CEILING LIFTS	COMPATIBILITY
Maxi Sky 440	●
Maxi Sky 2 Series	○
Maxi Sky 1000	
Maxi Sky 2 Plus Series	

## SAFE WORKING LOAD (SWL)

WEIGHT	COMPATIBILITY
200 kg (440 lb)	●
272 kg (600 lb)	●
454 kg (1000 lb)	



# COMPETITOR & LEGACY TRACK COMPATIBILITIES

This table shows the compatibility between Arjo Maxi Sky 2 and Maxi Sky 440 ceiling lifts, and our legacy or competitors tracking systems.

TRACKING TYPES		A	B	D	E	G	L	M	N	P	Q	R	S	T	W	V
<b>TRACKING FEATURES</b>																
	Standard	•	•	•	•	•	•	•	•	•	•	•	•	•	•	•
	Recessed	•	•	•	•	•	•	•	•	•	•	•	•	•	•	•
	Embedded	•	•	•	•	•	•	•	•	N/A	•	•	•	•	•	•
	Straight layout	•	•	•	•	•	•	•	•	•	•	•	•	•	•	•
	Curved layout	•	•	N/A	•	•	•	•	•	•	•	•	•	•	•	N/A
<b>ACCESSORIES</b>																
	X-Y system	•	•	•	•	•	•	•	N/A	N/A	•	•	•	•	•	•
	Gate	No ceiling lift solution available														
	Turntable	No ceiling lift solution available														
	Exchanger	No ceiling lift solution available														
	Curtain jump	No ceiling lift solution available														

• = Available  
N/A = Not available

LETTER	TRACKING TYPE NAME
A	Arjo UK / Bravo track
B	BHM Old type / Joarns UK
D	Arjo UK / Bravo track
E	Arjo UK / Bianca track
G	GTM / Bravo track
L	Liko (Hill-Rom)
M	Marka
N	Innomedic

LETTER	TRACKING TYPE NAME
P	Paramedic
Q	Guldmann (NEW) GH3 type
R	Guldmann (OLD) GH2 type / Joerns USA
S	Guldmann (OLD) GH2 type Midi / Joerns USA
T	Tollos (T.H.E.)
U	Tollos (T.H.E.) - Long span
V	Prism (Waverly Glen) Super track for long spans
W	Prism (Waverly Glen)

**Notes:**

-Refer to your local Ceiling Lift project team to better guide you on a ceiling lift solution for the Competitor and Legacy devices that may be available in your region.  
-For more information about WCS, ECS and C-Stat, please refer to the Charging methods section.

Page intentionally left blank

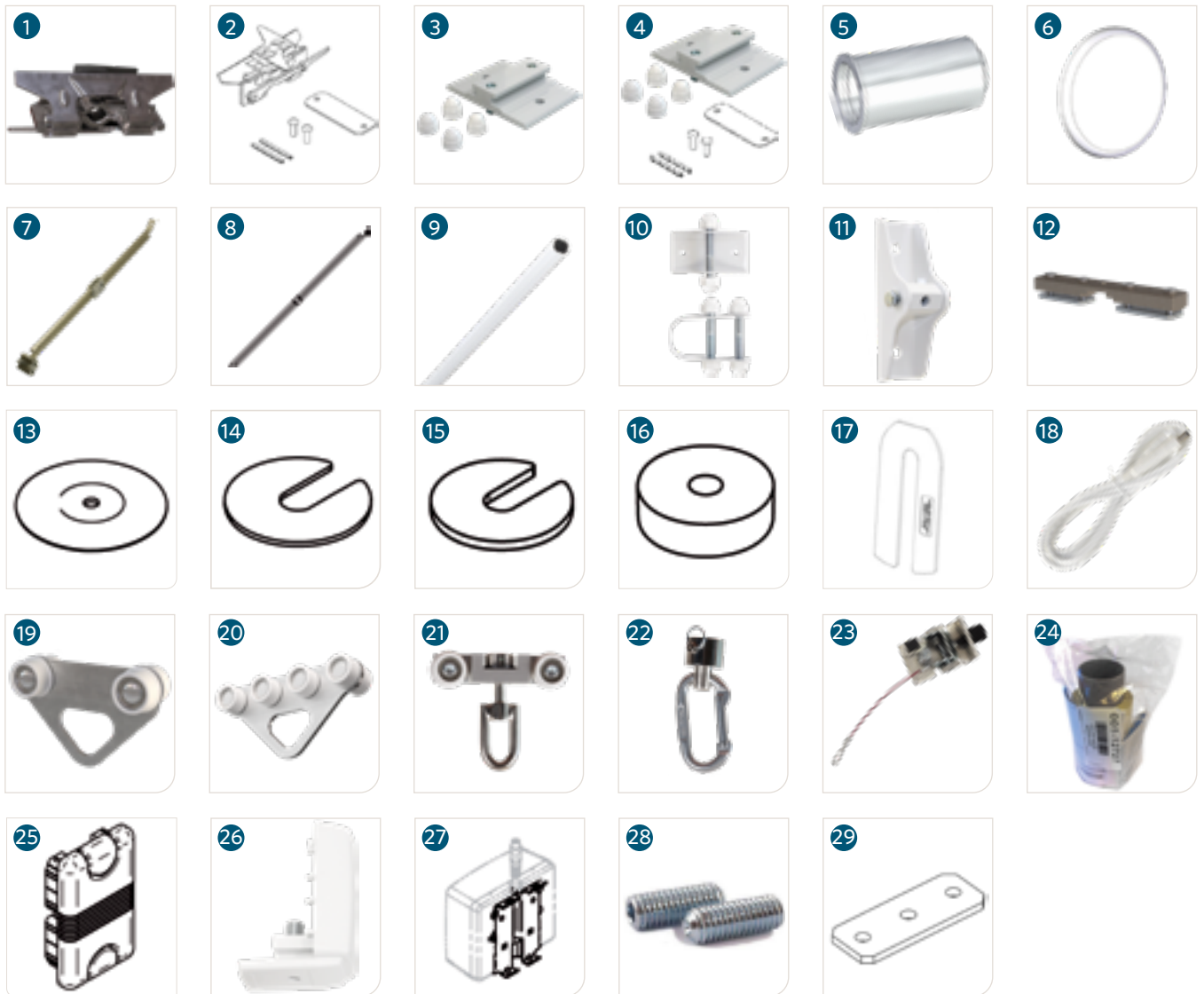
# Installation components



# TRACKING COMPONENTS

ARTICLE #	DESCRIPTION
1 <b>700.11100</b>	KWIKtrak bracket
2 <b>700.11105</b>	KWIKtrak joint bracket
3 <b>700.11204</b>	KWIKtrak bracket 454 kg (1000 lb)
4 <b>700.XXXXX</b>	KWIKtrak joint bracket 454 kg (1000 lb)
5 <b>204-00007</b>	Wall mount insert
6 <b>200-11287</b>	Wall mount insert cap
7 <b>700.11350</b>	Adjustable Lateral Brace (standard)
8 <b>700.11360</b>	Adjustable Lateral Brace (long)
9 <b>200.12970</b>	Threaded rod cover tubing
10 <b>700.11380</b>	Visible Lateral Brace (Rod cover tubing required)
11 <b>700.11370</b>	Cathedral Ceiling Bracket
12 <b>700-16950</b>	Track bracket for curtain gap (272 kg)
13 <b>200.11140</b>	100 mm Ceiling Plate
14 <b>200.11150</b>	KWIKtrak Bracket Shim 1.5 mm

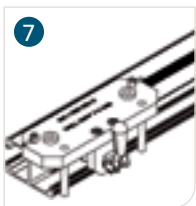
15 <b>200.11160</b>	KWIKtrak Bracket Shim 3 mm
16 <b>200.11170</b>	KWIKtrak Bracket Shim 12 mm
17 <b>200-11282</b>	Wall mount shim 3 mm
18 <b>402.15508</b>	Charger extension 2.5 DC 2000 mm (79")
19 <b>700.10650</b>	Trolley for portable lifts/KWIKtrak and Easytrack
20 <b>700-10660</b>	Trolley for portable lifts for curtain gap
21 <b>700.10620</b>	Swivel trolley for portable track lift
22 <b>700.10950</b>	Swivel adaptor for portable
23 <b>700.11005</b>	KWIKtrak autolock track stopper
24 <b>001-12727</b>	Mirror Strip Kit 6m (19.7')
25 <b>200.11060</b>	Endcap
26 <b>700.07651</b>	ECS Endcap
27 <b>225.15540</b>	Paint contact box plate
28 <b>000.04585</b>	Setscrew M12 x 35
29 <b>203-11267</b>	Clamping plate



# ARJO TOOLS

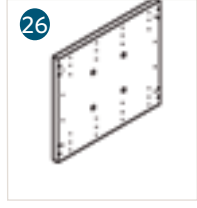
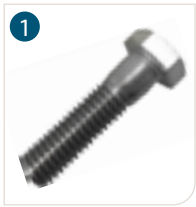
ARTICLE #	DESCRIPTION
1 <b>005.00010</b>	Curve alignment tool / Laser support PM-22
2 <b>005.00055</b>	Punch adaptor 42 in HDI 3/8
3 <b>005.11090</b>	Tool for Pressure Nut
4 <b>005.11100</b>	Lock-Unlock Tool
5 <b>005.11110</b>	Bracket Removing Tool
6 <b>005.11120</b>	Spring Pin Tool
7 <b>005.11505</b>	Drilling jig for KWIKtrak gate boxes

8 <b>700-11515</b>	DF Blocker drilling jig (for gate installation)
9 <b>700-12805</b>	Wall mount drilling jig
10 <b>700-07679</b>	ECS strip cleaner
11 <b>005-07671</b>	ECS strip holder
12 <b>005-07672</b>	ECS strip snapping tool
13 <b>005-07677</b>	ECS voltmeter
14 225-31284	Alignment Plate (Plate for braket positions)



# INSTALLATION HARDWARE

ARTICLE #	DESCRIPTION IMPERIAL	ARTICLE #	DESCRIPTION METRIC
1	<b>000.00357</b> Screw 3/8-16 X 1 Hex Zinc	<b>000.04090</b>	Screw M10 X 25 Hex Zinc
1	<b>000.00380</b> 3/8-16 X 1 1/2 Hex Bolt	<b>000-00390</b>	Screw M10 X 40 Hex Zinc
1	<b>000.00381</b> Screw 3/8-16 X 2 Hex Zinc	<b>000.04270</b>	Screw M10 X 50 Hex Zinc
1	<b>000.00385</b> Screw 3/8-16 X 2 1/2 Hex Zinc	<b>000.04290</b>	Screw M10 X 60 Hex Zinc
1	<b>000.00386</b> Screw 3/8-16 X 3 Hex Zinc	<b>000.04295</b>	Screw M10 X 75 Hex Zinc
2	<b>000.00394</b> Threaded Rod 3/8-16 X 10' Zinc	<b>000.04385</b>	Threaded Rod M10 X3m Zinc 4.8
3	<b>000.00398</b> Plastic Cap 3/8-16 Bolt White	<b>000.04420</b>	White Plastic Cap M10 - Screw
4	<b>000.00402</b> Locknut Stover 3/8-16 Zinc	<b>000.04416</b>	Locknut Stover M10 Zinc
5	<b>000.00405</b> Nut 3/8-16 Zinc	<b>000.04400</b>	Nut M10 Zinc
6	<b>000.00410</b> Coupling Nut 3/8-16 Zinc	<b>000.04388</b>	Coupling Nut M10 Zinc 4.8
7	<b>000.00412</b> Beam Clamp 3/8" Plain	<b>000.04355</b>	Mab 11 M10
8	<b>000.00423</b> Anchor Drop-In 3/8 Hdi	<b>000.04356</b>	Concrete Anchor Hkd-E M10 X 40
9	<b>000.00424</b> Strut Saddle Nut 3/8-16	<b>000.04357</b>	Strut Saddle Nut M10
10	<b>000.00425</b> Lockwasher 3/8 Zinc Plated Steel	<b>000.04425</b>	Split Lockwasher M10 Zinc, 2.2mm
11	<b>000.00426</b> Strut, Nut Mqm-F 3/8"	<b>000.04358</b>	Strut Nut M10
12	<b>000.00428</b> Concrete Anchor Hdi-P 3/8-16	<b>000-00419</b>	Hkd M10 X 25
13	<b>000.00500</b> Beam Clamp 1-5/8"	<b>000.04360</b>	Mqt 21-41
13	<b>000.00505</b> Beam Clamp 2-7/16" X 3-1/4"	<b>000.04361</b>	Strut Beam Clamp Mqt 41-82
14	<b>000.00660</b> Gypsum Anchor M6	<b>000.00660</b>	Gypsum Anchor M6
15	<b>000.00680</b> Wood Screw #10 x 2 1/2	<b>000-00681</b>	Evz Vk-Sppls T-St 3,5 x 60mm
16	<b>000.00699</b> Lag Bolt 3/8 x 2 Hex Zinc	<b>000.04383</b>	Lag Bolt M10 x 50 Hex Zinc
16	<b>000.00740</b> Lag Bolt 3/8 x 4 Hex Zinc	<b>000.04389</b>	Lag Bolt M10 x 100 Hex Zinc
16	<b>000.00741</b> Lag Bolt 3/8 x 6 Hex Zinc	<b>000.04386</b>	Lag Bolt M10 x 150 Hex Zinc
17	<b>000.00810</b> Spring Pin 1/8 x 1 1/2 Zinc	<b>000.00810</b>	Spring Pin 3 x 38mm
18	<b>000.01205</b> Strut 13/16 x 10' White	<b>000-01206</b>	Strut Mq-21 x 3m White
18	<b>000.01230</b> Strut 1 5/8 x 10'	<b>000.04363</b>	Strut Mq-41 x 3m
18	<b>000.01235</b> Strut 1 5/8 x 10' White	<b>000-01237</b>	Strut Mq-41 x 3m - White
18	<b>000.01238</b> Strut 2 7/16 x 10'	<b>000.04365</b>	Strut Mq-72 x3m
19	<b>000.01460</b> Chem Anchor Screen 3/8 x 3 3/8	<b>000.04366</b>	Chem Anchor Screen Hit-S16 x 85
20	<b>000-03667</b> Expansion Anchor KBTZ 3/8x3-3/4	<b>000-03661</b>	Hst Stud Anchor M10 x 90
21	<b>700.11090</b> Pressure Nut 3/8-16 For Gypsum	<b>700.11095</b>	Pressure Nut M10 For Gypsum
22	<b>225.11384</b> 3-Point Fixation Plate 3/8-16	<b>225.11382</b>	3-Point Fixation Plate M10
ARTICLE #	DESCRIPTION		
23	<b>000.01215</b> White Cap For Strut 13/16		
23	<b>000.01217</b> White Cap For Strut 1 5/8		
24	<b>001.11095</b> Pressure Nut Foldable 3/8		
25	<b>000.00490</b> Strut Tie		
26	<b>200.11194</b> Joint Panel Engineering Joist 14" x 16"		
27	<b>200.11191</b> Wood Beam Bracket		
28	<b>212.11193</b> Roof Truss Bracket Pivot		
29	<b>212.11192</b> Roof Truss Support Bracket		
30	<b>225-31284</b> Alignment Plate		
31	<b>225.01260</b> White Access Panel 460mm x 460mm (18" x 18")		
32	<b>000.04430</b> Flat Washer 10mm Id/20mm Od Zinc		
32	<b>000.04875</b> Flat Washer 12mm Id/32mm Od Zinc		
33	<b>E0265</b> Panduit		
34	<b>000.04435</b> Tab washer M10		
35	<b>000-11002</b> Toggler ancher M6		
36	<b>000-03229</b> M6 screw button head 60mm long		



Page intentionally left blank



# Portable tracking solutions



Page intentionally left blank



### Semi-Permanent KWIKtrak



Semi-permanent rack



X-Y Semi-permanent rack

### Easytrack FS



Easytrack FS

### Easytrack Pressure fit



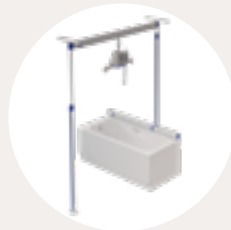
2-Post



3-Post with pivoting track



Easytrack 4-Post X-Y gantry



2-Post with bath adaptor



3-post with bath adaptor

### Wall bracket



2 wall brackets



3 wall brackets with pivoting track

### Combination



1-Post with a wall bracket



2-Post with wall bracket and pivoting track

Page intentionally left blank



# Semi-permanent rack (2-Posts)

Portable non-permanent track system

## USAGE EXAMPLE

Suitable for use with fixed ceiling lifts, our Semi-permanent rack is the ideal solution for temporary yet portable heavy duty lifting.

The Semi-permanent rack in this configuration allows for lifting all along the track and can offer a lifting capacity up to 454kg (1000 lb).



# PRODUCT INFORMATION

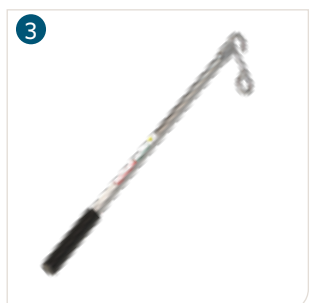
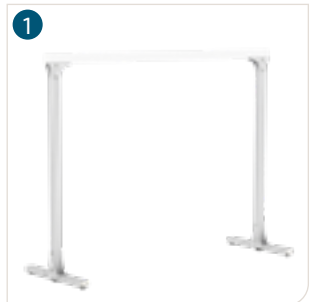
GENERAL	
Weight capacity	Up to 454 kg (1000 lb), depending on the span
Weight	Posts: 16.5 kg (36.5 lb) Base: 10 kg (22 lb) each Total: 53 kg (117 lb) each
Material	Tracks: Aluminium Hardware: Steel, plastic

## MAXIMUM KWIKTRAK VS. CAPACITY AND TRACK SIZE

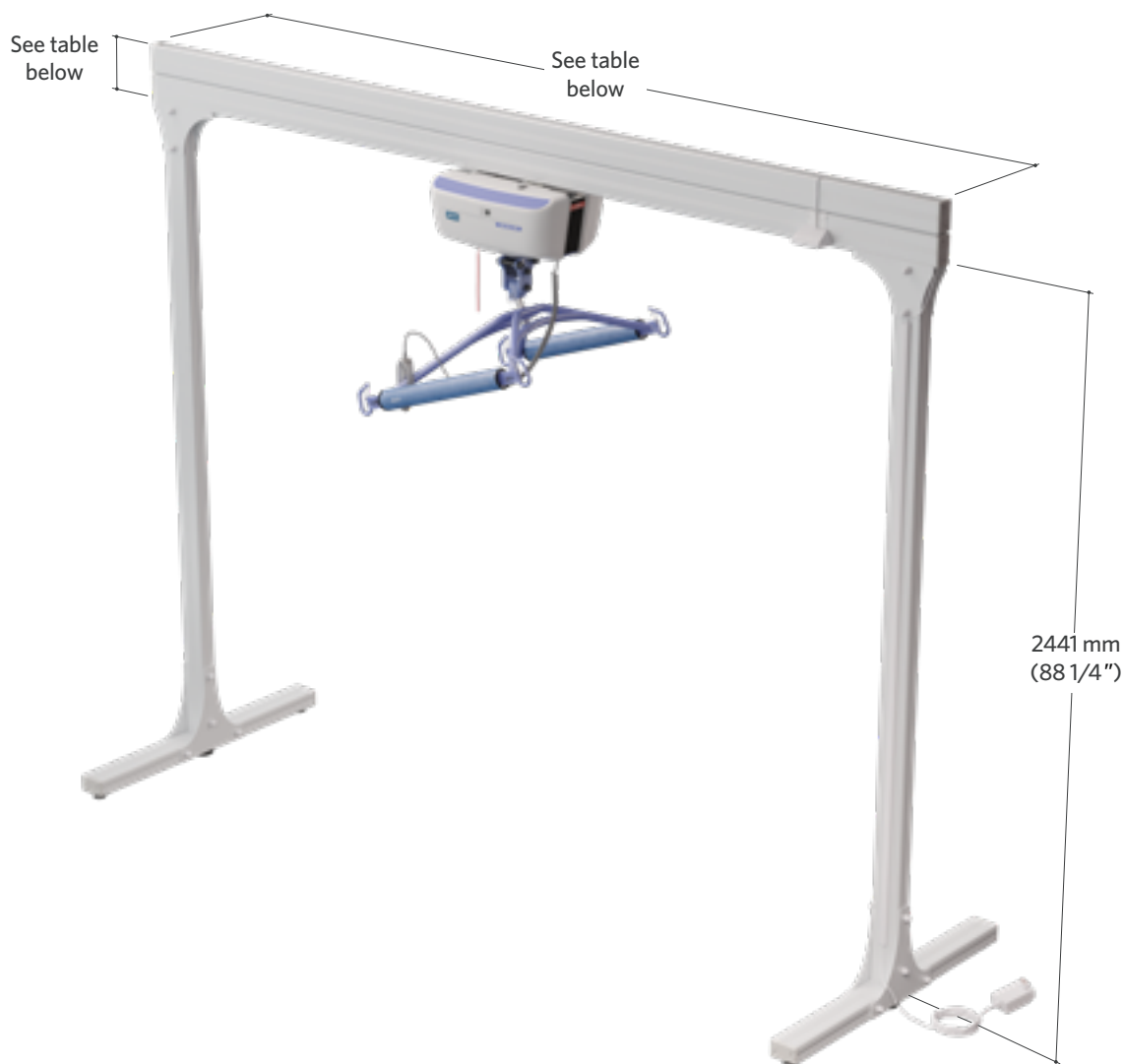
DEVICE CAPACITY	MAXIMUM DISTANCE BETWEEN POSTS		
	90 MM (3 1/2") TRACK HEIGHT	140 MM (5 1/2") TRACK HEIGHT	180 MM (7") TRACK HEIGHT
200 kg (440 lb)	3000 mm (118")	4500 mm (177")	6000 mm (236")
272 kg (600 lb)	N/A	3500 mm (138")	4500 mm (177")
454 kg (1000 lb)	N/A	N/A	3500 mm (138")

## COMMON PARTS

ARTICLE #	DESCRIPTION
1 <b>700.11900</b>	Semi-permanent rack KWIKtrak (KWIKtrak track not included)
2 <b>700.10650</b>	Trolley for portable lifts/Easytrack FS
3 <b>700-08310</b>	Reacher 610 mm (24")
3 <b>700-08320</b>	Reacher 910 mm (36")
4 <b>200.12810</b>	KWIKtrak track 90 mm Straight 3000 mm (118")
4 <b>250.12810</b>	KWIKtrak track 90mm Straight 3000 mm (118"), Machined end
5 <b>200-12872</b>	KWIKtrak track 140 mm Straight 3500 mm (138")
5 <b>200.12870</b>	KWIKtrak track 140 mm Straight 4500 mm (177")
5 <b>250.12871</b>	KWIKtrak track 140mm Straight 4500mm (177"), Machined end
6 <b>200.12882</b>	KWIKtrak track 180 mm Straight 3500 mm (138")
6 <b>200.12884</b>	KWIKtrak track 180 mm Straight 4500 mm (177")
6 <b>200.12880</b>	KWIKtrak track 180 mm Straight 6000 mm (236")
6 <b>250.12881</b>	KWIKtrak 180mm Straight 6000mm (236"), Machined end



## PRODUCT DIMENSION



DEVICE CAPACITY	MAXIMUM DISTANCE BETWEEN POSTS		
	90 MM (3 ½") TRACK HEIGHT	140 MM (5 ½") TRACK HEIGHT	180 MM (7") TRACK HEIGHT
200 kg (440 lb)	3000 mm (118")	4500 mm (177")	6000 mm (236")
272 kg (600 lb)	N/A	3500 mm (138")	4500 mm (177")
454 kg (1000 lb)	N/A	N/A	3500 mm (138")



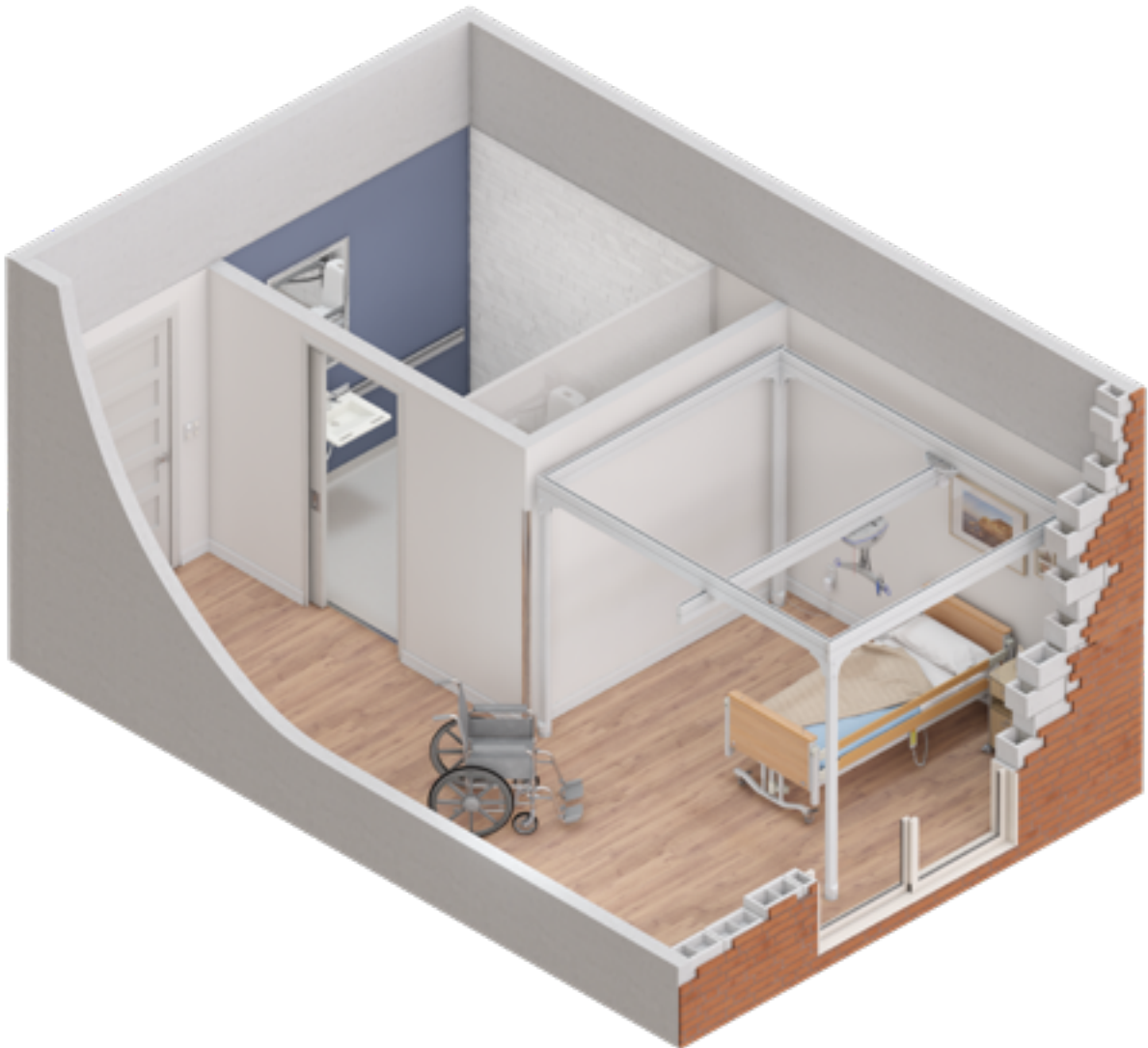


# X-Y Semi-permanent rack (4-Posts)

Portable non-permanent track system

## USAGE EXAMPLE

The KWIKtrak X-Y semi-permanent rack is a robust free standing room covering system with the capacity to handle everything including your bariatric lifting tasks.



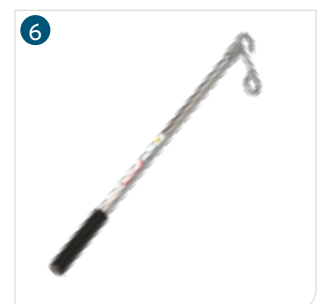
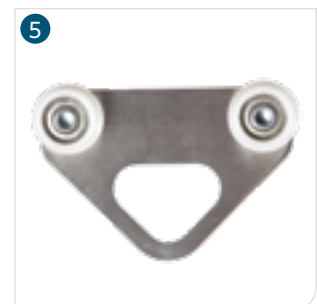
# PRODUCT INFORMATION

GENERAL	
Weight capacity	Up to 272 kg (600 lb), depending on the span
Material	Tracks: Aluminium Hardware: Steel, plastic

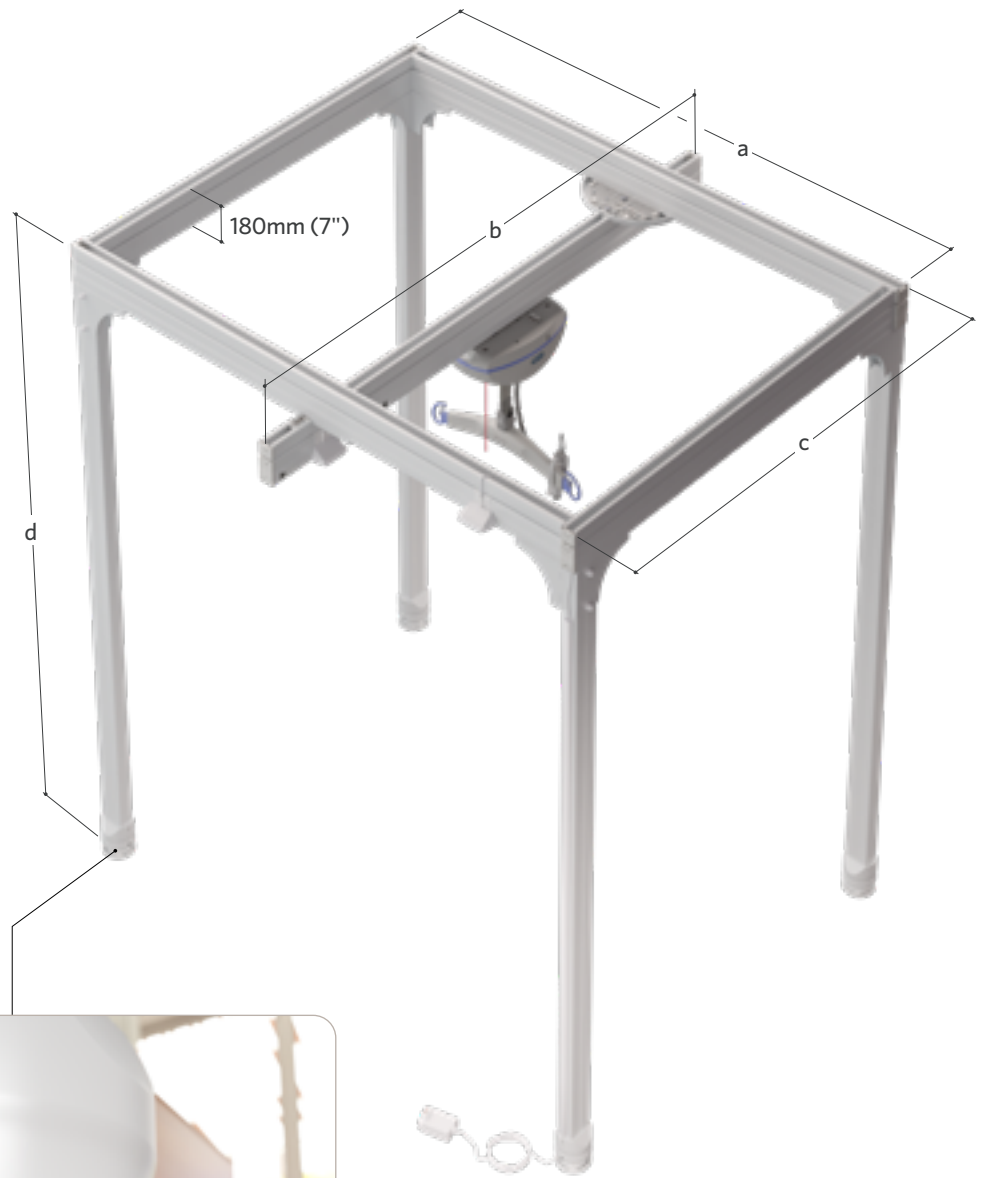
## COMMON PARTS

ARTICLE #	DESCRIPTION
1 <b>9903030</b>	Semi-permanent X-Y rack KWIKtrak 3000 mm x 3000 mm (118" x 118")
1 <b>9903045</b>	Semi-permanent X-Y rack KWIKtrak 3000 mm x 4500 mm (118" x 177")
1 <b>9903530</b>	Semi-permanent X-Y rack KWIKtrak 3500 mm x 3000 mm (138" x 118")
1 <b>9903535</b>	Semi-permanent X-Y rack KWIKtrak 3500 mm x 3500 mm (138" x 138")
1 <b>9904545</b>	Semi-permanent X-Y rack KWIKtrak 4500 mm x 4500 mm (177" x 177")
2 <b>700-09001-BOX</b>	Adjustable legs (4 pieces) (Included in 990xxxx)
3 <b>700-11225</b>	Universal X-Y trolley 272 kg (600 lb) (Included in 990xxxx)
4 <b>700-11241</b>	Contact blade adaptor for X-Y (Not included in 990xxxx)
5 <b>700.10650</b>	Trolley for portable lifts/Easytrack FS
6 <b>700-08310</b>	Reacher 610 mm (24")
6 <b>700-08320</b>	Reacher 910 mm (36")

Note: The lifting device, charging components and lifting accessories are not included in the 990xxxx. Order these elements if necessary, depending on the chosen lifting device and charging option.



# PRODUCT DIMENSION



The legs height can be independently adjusted to level the track system

ARTICLE #	MEASURE A	MEASURE B	MEASURE C	MEASURE D
9903030	3000 mm (118')	3000 mm (118')	Approximatively 0.5 m less than measure B	Screwed leg: 2418 mm (95 1/4")  Unscrewed leg: 2443 mm (96 1/4")
9903045	3000 mm (118')	4500 mm (177')		
9903530	3500 mm (138')	3000 mm (118')		
9903535	3500 mm (138')	3500 mm (138')		
9904545	4500 mm (177')	4500 mm (177')		



# Easytrack FS

Portable free standing track system, for portable ceiling lifts

## USAGE EXAMPLE

The revolutionary track lift system Easytrack® FS brings the safety and convenience of a track lift transfer into almost any room. It is easy to use, easy to transport and easy to set up.



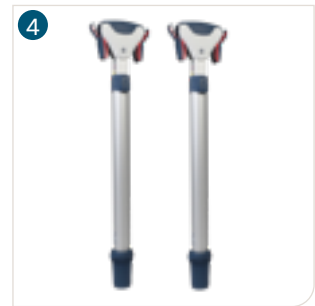
# PRODUCT INFORMATION

GENERAL	
Weight capacity	200 kg (440 lb)
Total weight	45 kg (98 lb)

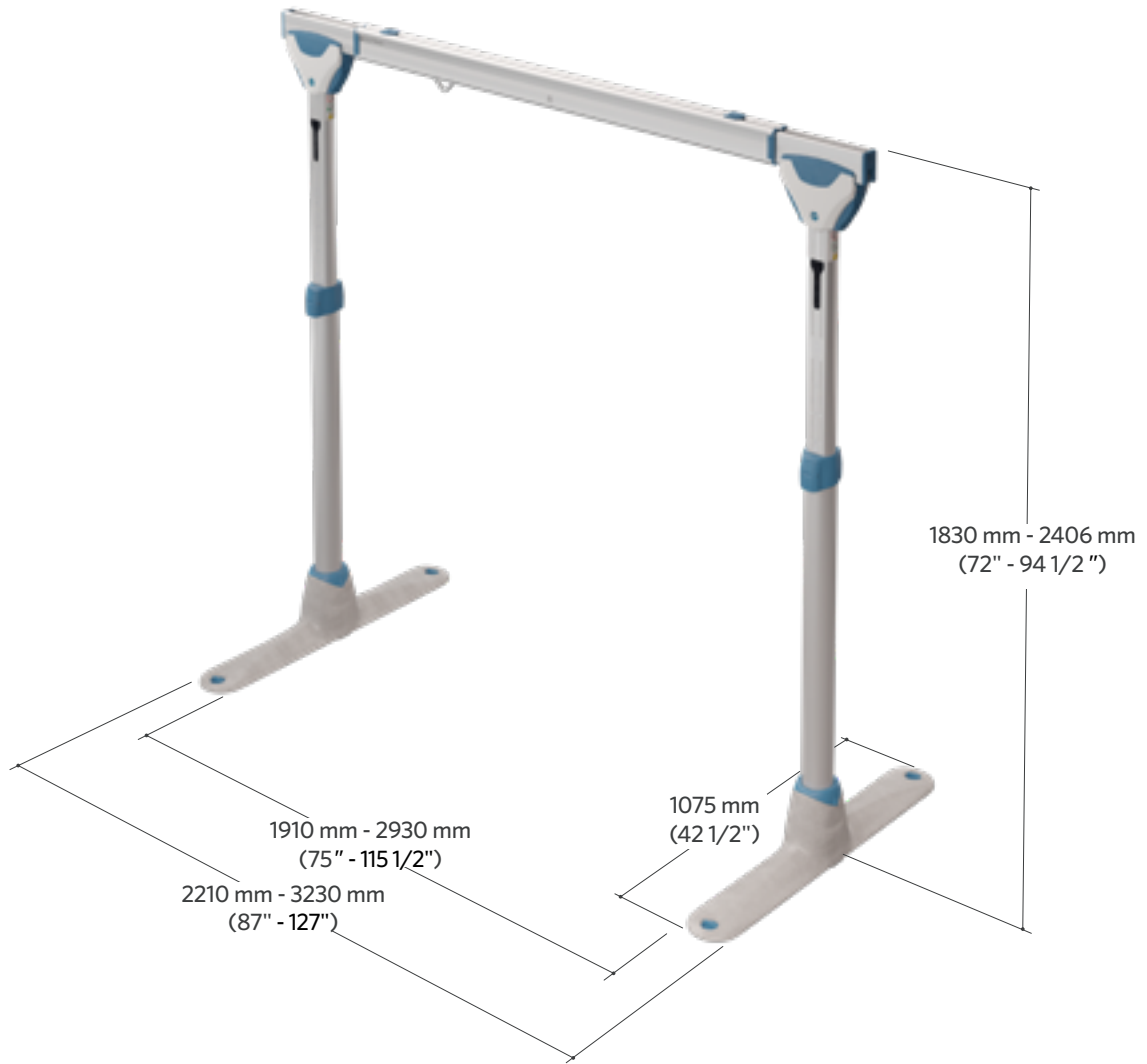
## COMMON PARTS

ARTICLE #	DESCRIPTION
1 <b>9720010</b>	Easytrack FS - for portable ceiling lifts (Ceiling lift sold separately)
2 <b>9720090</b>	Easytrack FS - for reps (Ceiling lift sold separately) (Fixed cassette)
3 <b>700.17100</b>	Easytrack FS Base - 2 bases
4 <b>700.17000</b>	Easytrack FS Base - 2 posts
5 <b>002.17010</b>	Protective kit
6 <b>700.17250</b>	Extendable track with trolley 3000 mm (118")
7 <b>700.17500</b>	MaxiKart (Ceiling lifts & EasyTrack FS sold separately)

For an exhaustive list, refer to document:  
*Easytrack FS and Easytrack FS Rep #001.17350*



# PRODUCT DIMENSION







# Easytrack 2 posts

Pressure fit system, for portable ceiling lifts

## USAGE EXAMPLE

The Easytrack® is a pressure fit system requiring no permanent installation. This system allows for vertical transfers. It can be installed above a bed because of the track wide range.



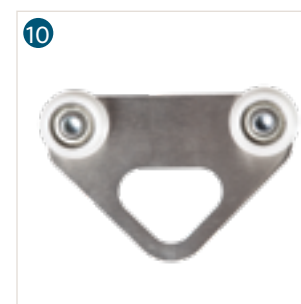
# PRODUCT INFORMATION

## GENERAL

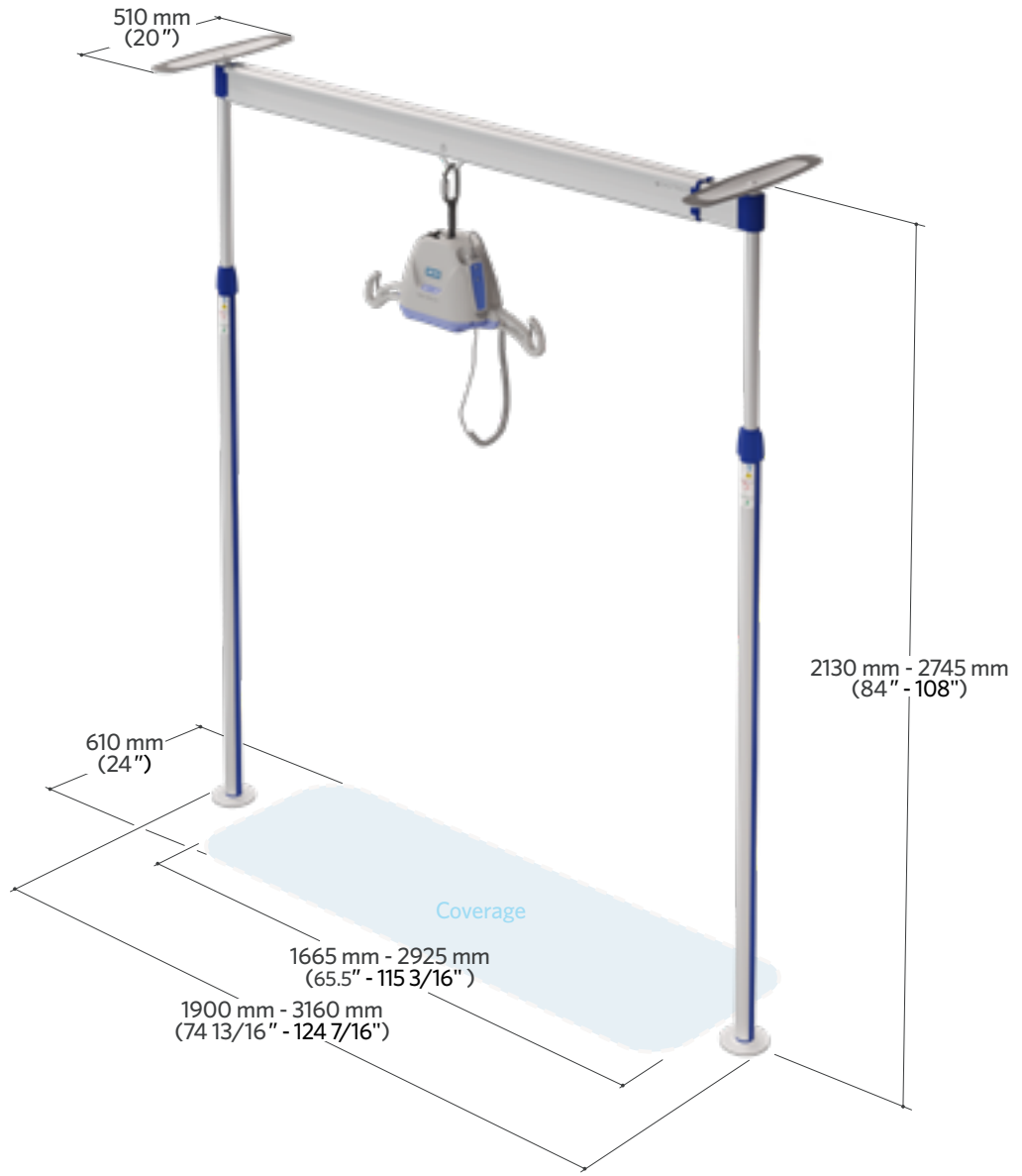
Lifting capacity	200 kg (440 lb)
Weight	20 kg (44 lb)
Material	Aluminium
Ceiling plate	510 mm (20")
Floor plate	120 mm (4.8")
Compliant with:	ISO 10535:2006

## COMMON PARTS

ARTICLE #	DESCRIPTION
1 <b>9220010</b>	Easytrack - 2 Post (Ceiling lift sold separately)
2 <b>700.10720</b>	Extendable track & standard trolley 1300-1900 mm (52-75")
2 <b>700.10750</b>	Extendable track & standard trolley 3000 mm (118")
3 <b>700.10500</b>	Standard post
4 <b>700.10230</b>	Post strip (2 pieces)
5 <b>700.10350</b>	Round foot plate for post
6 <b>700.10600</b>	Clip-on level
7 <b>700.10400</b>	Top plate
8 <b>200.10720</b>	Easytrack end cap
9 <b>000.03280</b>	Allen key 6mm
10 <b>700.10650</b>	Track trolley
11 <b>002.10450</b>	Easytrack transport bag



# PRODUCT DIMENSION





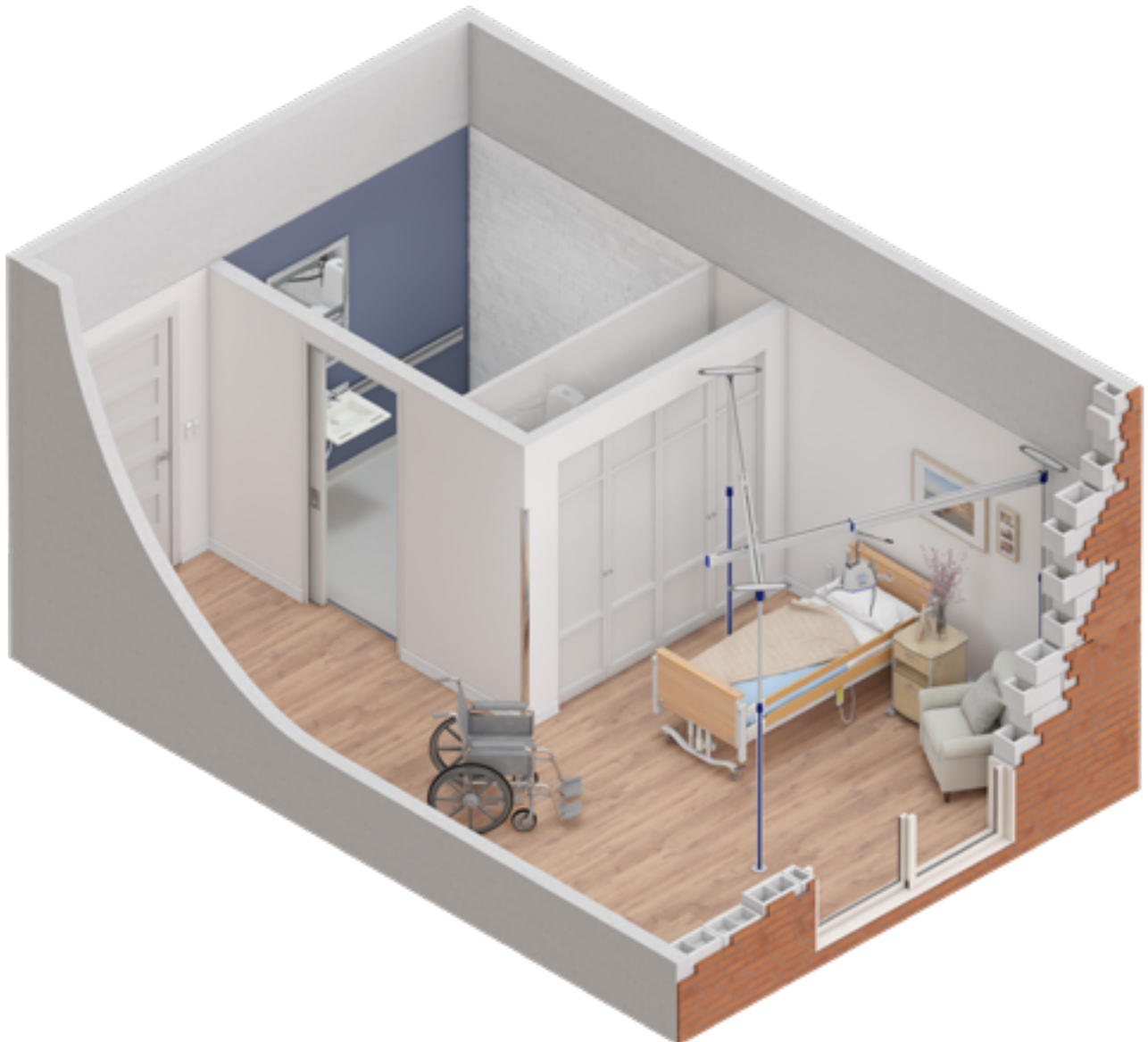
## Easytrack 3 posts

Pressure fit system with pivoting track, for portable ceiling lifts

## USAGE EXAMPLE

The Easytrack is a pressure fit system requiring no permanent installation.

When using the 3 posts configuration with a pivoting track, the variation of the Easytrack system enables for straight line lifting within the transfer area generated by the pivoting track.



# PRODUCT INFORMATION

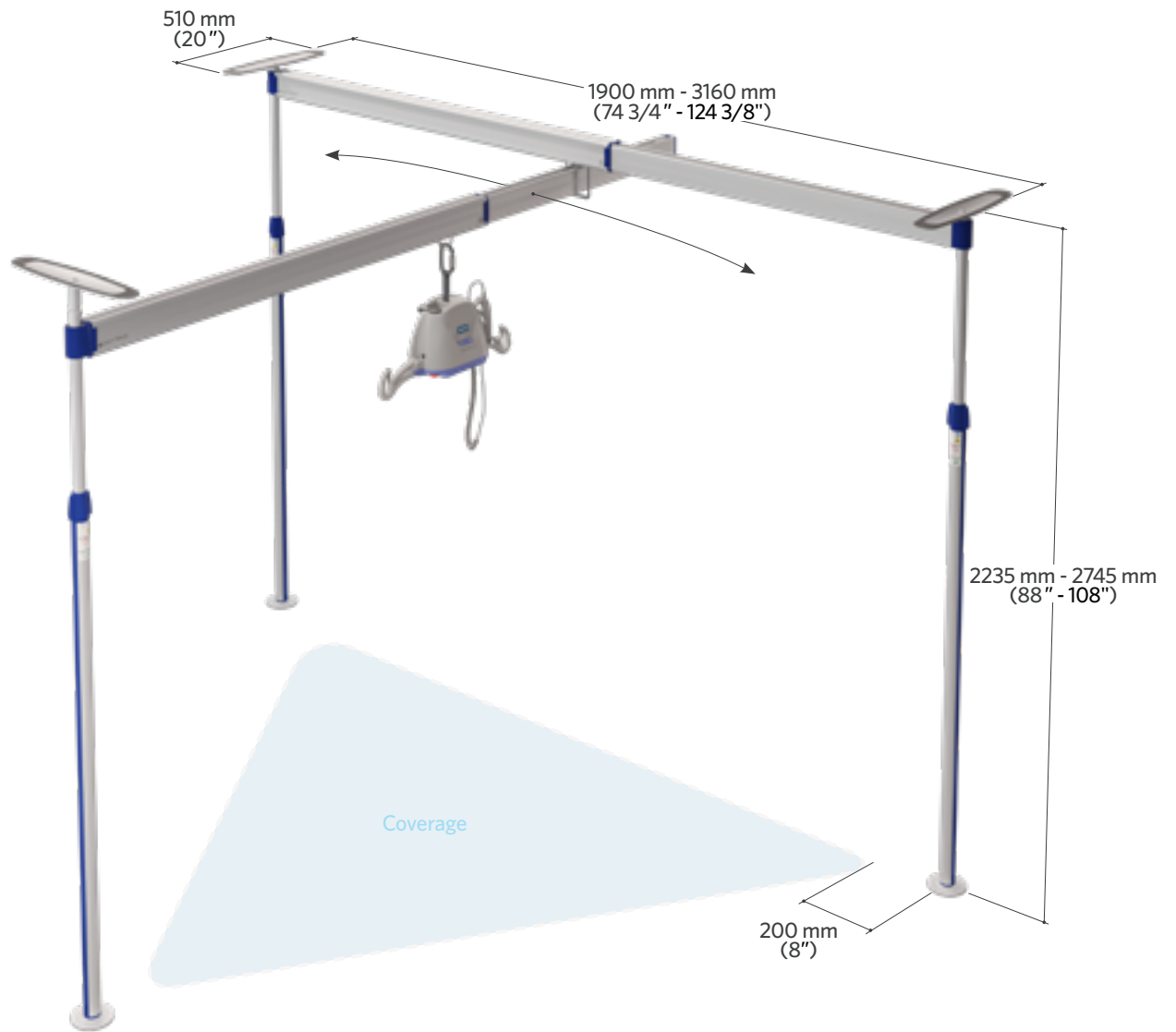
GENERAL	
Lifting capacity	200 kg (440 lb)
Weight	42.5 kg (93.5 lb)
Material	Aluminium
Ceiling plate	510 mm (20")
Floor plate	120 mm (4.8")
Compliant with:	ISO 10535:2006

## COMMON PARTS

ARTICLE #	DESCRIPTION
1 <b>9330010</b>	Easytrack - 3 Post (Ceiling lift sold separately)
2 <b>700.10850</b>	Pivoting extendable track 3000 mm (118 in) & trolley
3 <b>700.10800</b>	Extendable track 3000 mm (118 in) & swivel trolley
4 <b>700.10455</b>	Pivoting post assembly
5 <b>700.10560</b>	Pivoting hooking tube assembly
6 <b>700.10500</b>	Standard post
7 <b>200.10720</b>	Round endcap
8 <b>000.03280</b>	Allen key 6mm
9 <b>700.10600</b>	Clip-on level
10 <b>700.10400</b>	Top plate for post
11 <b>700.10350</b>	Round foot plate for post
12 <b>700.10230</b>	Plastic post strip (2 pieces)
13 <b>200.11050</b>	End cap
14 <b>200.10780</b>	Protector for track
15 <b>700.10720</b>	Extendable track 1300-1900 mm (52-75") & trolley
16 <b>002.10450</b>	Easytrack transport bag
17 <b>700-08310</b>	Reacher - 610 mm (24")
17 <b>700-08320</b>	Reacher - 910 mm (36")



# PRODUCT DIMENSION







# Easytrack 4 posts X-Y Gantry

Pressure fit system, for portable ceiling lifts

## USAGE EXAMPLE

The Easytrack is a pressure fit system requiring no permanent installation.

The 4 posts configuration with moving 3rd track of the Easytrack system works on two X-Y axes while optimizing lifting options anywhere within the transfer area.



# PRODUCT INFORMATION

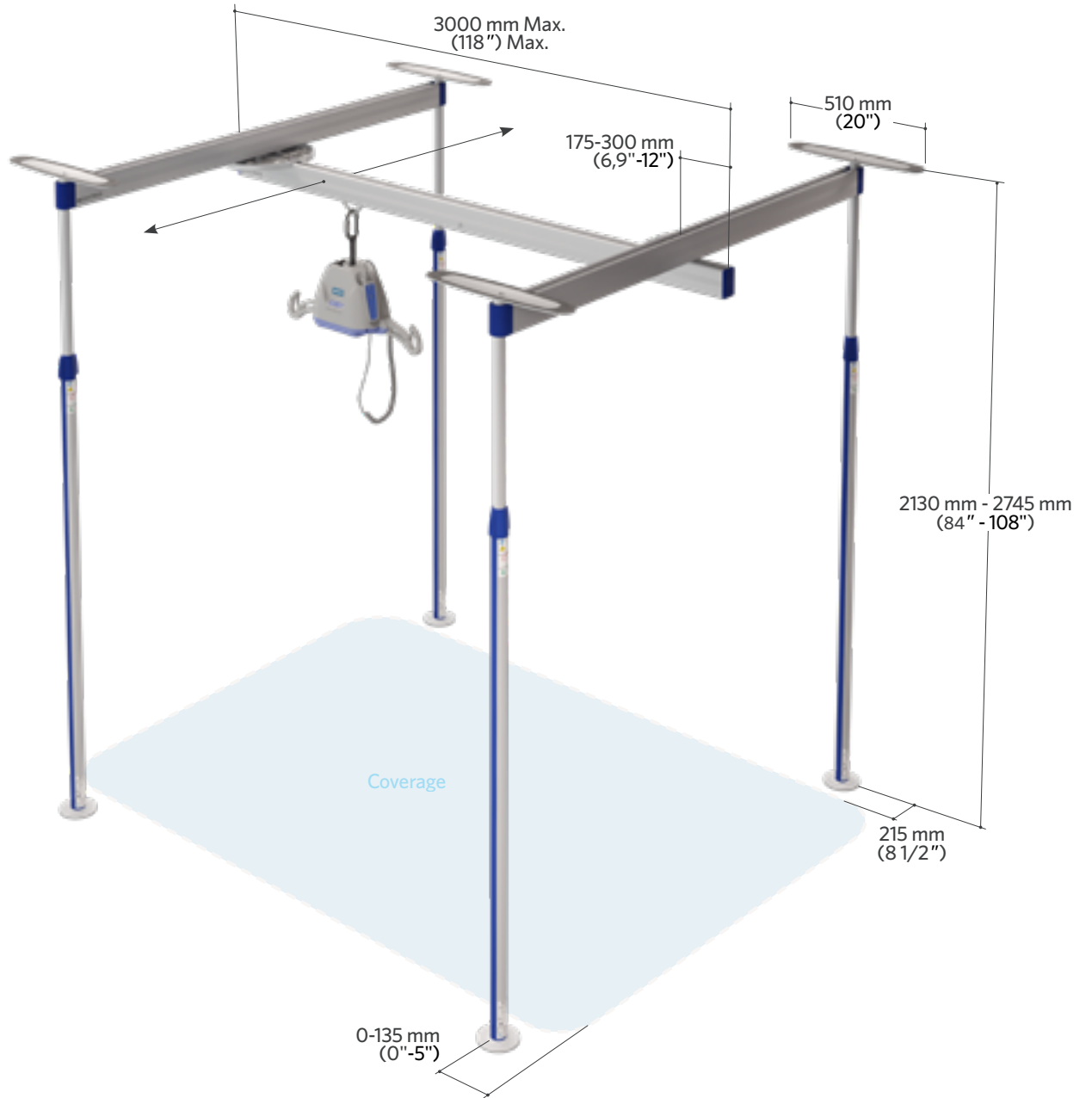
GENERAL	
Lifting capacity	200 kg (440 lb)
Weight	57 kg (125 lb)
Material	Aluminium
Ceiling plate	510 mm (20")
Floor plate	120 mm (4.8")
Compliant with:	ISO 10535:2006

## COMMON PARTS

ARTICLE #	DESCRIPTION
1 <b>9440030</b>	Easytrack - 4 Post (Ceiling lift sold separately)
2 <b>700.10250</b>	X-Y Tracks 3000 mm (118")
3 <b>700.11005</b>	KWIKtrak autolock track stopper
4 <b>700.10650</b>	Trolley for portable lifts/Easytrack
5 <b>200.11050</b>	Endcap
6 <b>700-11225</b>	X-Y mobile trolley
7 <b>200.10730</b>	Drilling JIG for track hook
8 <b>700.10600</b>	Clip-on level
9 <b>203.03280</b>	Allen key 6mm
9 <b>203.02505</b>	Allen key 4mm
10 <b>200.10720</b>	Round endcap
11 <b>700.10400</b>	Top plate for post
12 <b>700.10350</b>	Round foot plate for post
13 <b>700.10230</b>	Post strip (2 pieces)
14 <b>700.10500</b>	Standard post
15 <b>700-08310</b>	Reacher - 610 mm (24")
15 <b>700-08320</b>	Reacher - 910 mm (36")
16 <b>002.10450</b>	Easytrack transport bag (Custom bags are required if tracks are greater than 1830 mm (72 in))



# PRODUCT DIMENSION





# Easytrack 2 posts system with a bath adaptor

Pressure fit system, for portable ceiling lifts

## USAGE EXAMPLE

The Easytrack is a pressure fit system requiring no permanent installation.

By using the 2 posts configuration with a bath adaptor, it is possible to perform lifting from a wheelchair to the bath. This variation of the Easytrack system allows for straight line transfers directly underneath the track. Other versatile options are available such as 2 posts, 3 posts, 4 posts and wall bracket configurations.



# PRODUCT INFORMATION

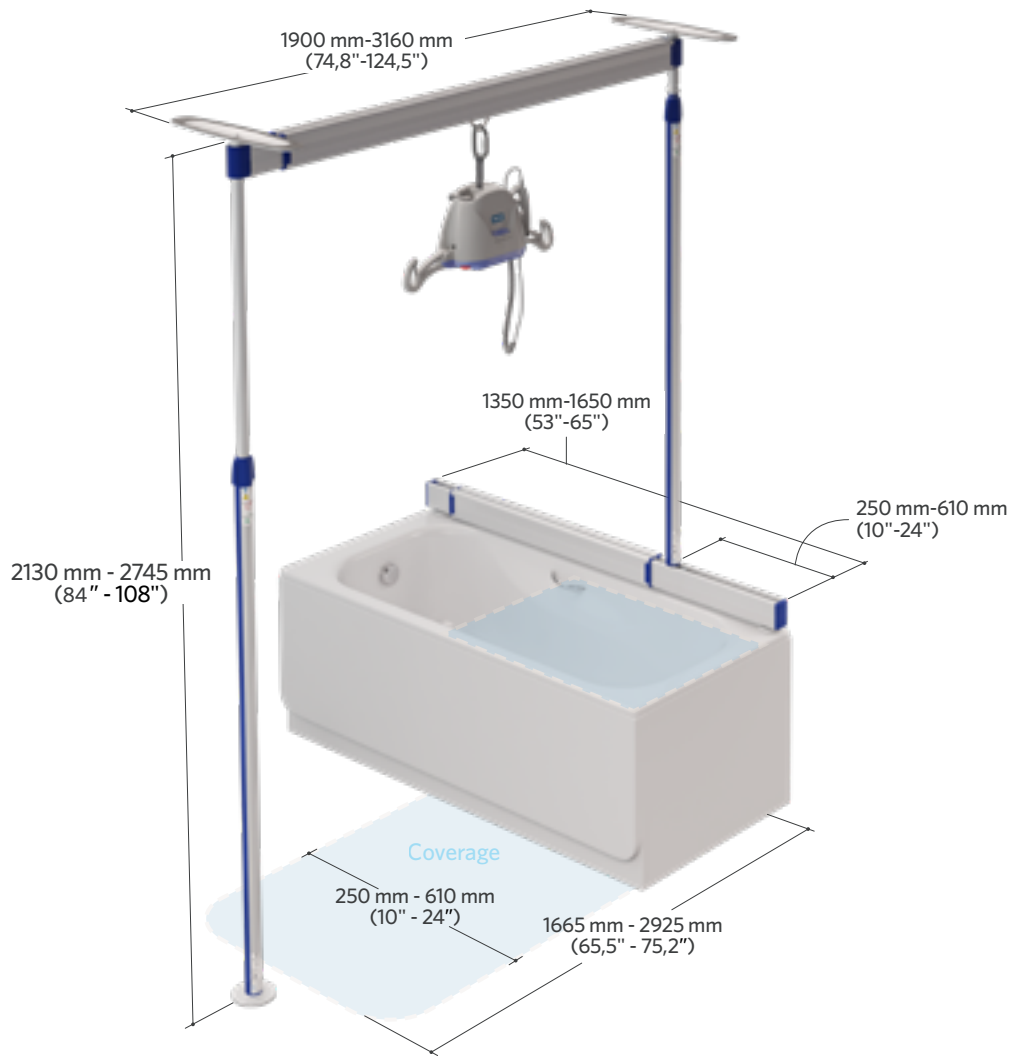
GENERAL	
Lifting capacity	200 kg (440 lb)
Weight	42.5 kg (93.5 lb)
Material	Aluminium
Ceiling plate	510 mm (20")
Floor plate	120 mm (4.8")
Compliant with:	ISO 10535:2006

## COMMON PARTS

ARTICLE #	DESCRIPTION
1 <b>9220110</b>	Easytrack - 2 posts & bath adaptor
2 <b>700.10880</b>	Bath adaptor
3 <b>700.10750</b>	Extendable track 3000 mm (118") & trolley
4 <b>700.10455</b>	Pivoting post assembly
5 <b>700.10500</b>	Standard post
6 <b>200.10720</b>	Round end cap
7 <b>700.10600</b>	Clip-on level
8 <b>700.10400</b>	Top plate for post
9 <b>700.10350</b>	Round foot plate for post
10 <b>700.10230</b>	Post strip (2 pieces)
11 <b>000.03280</b>	Allen key 6mm
12 <b>700.10720</b>	Extendable track 1300-1900 mm (52-75") & trolley
13 <b>002.10450</b>	Easytrack transport bag
14 <b>700-08310</b>	Reacher - 610 mm (24")
14 <b>700-08320</b>	Reacher - 910 mm (36")



# PRODUCT DIMENSION







# Easytrack 3 post system with bath adaptor

Pressure fit system with pivoting track, for portable ceiling lifts

## USAGE EXAMPLE

The Easytrack is a pressure fit system requiring no permanent installation.

By using the 3 posts configuration with a pivoting 3rd track and a bath adaptor, it is possible to perform lifting from a wheelchair to a bath and to the toilet. This variation of the Easytrack system allows for straight line transfers within the transfer area generated by the pivoting 3rd track. Other versatile options are available such as 2 posts, 3 posts, 4 posts and wall bracket configurations.



# PRODUCT INFORMATION

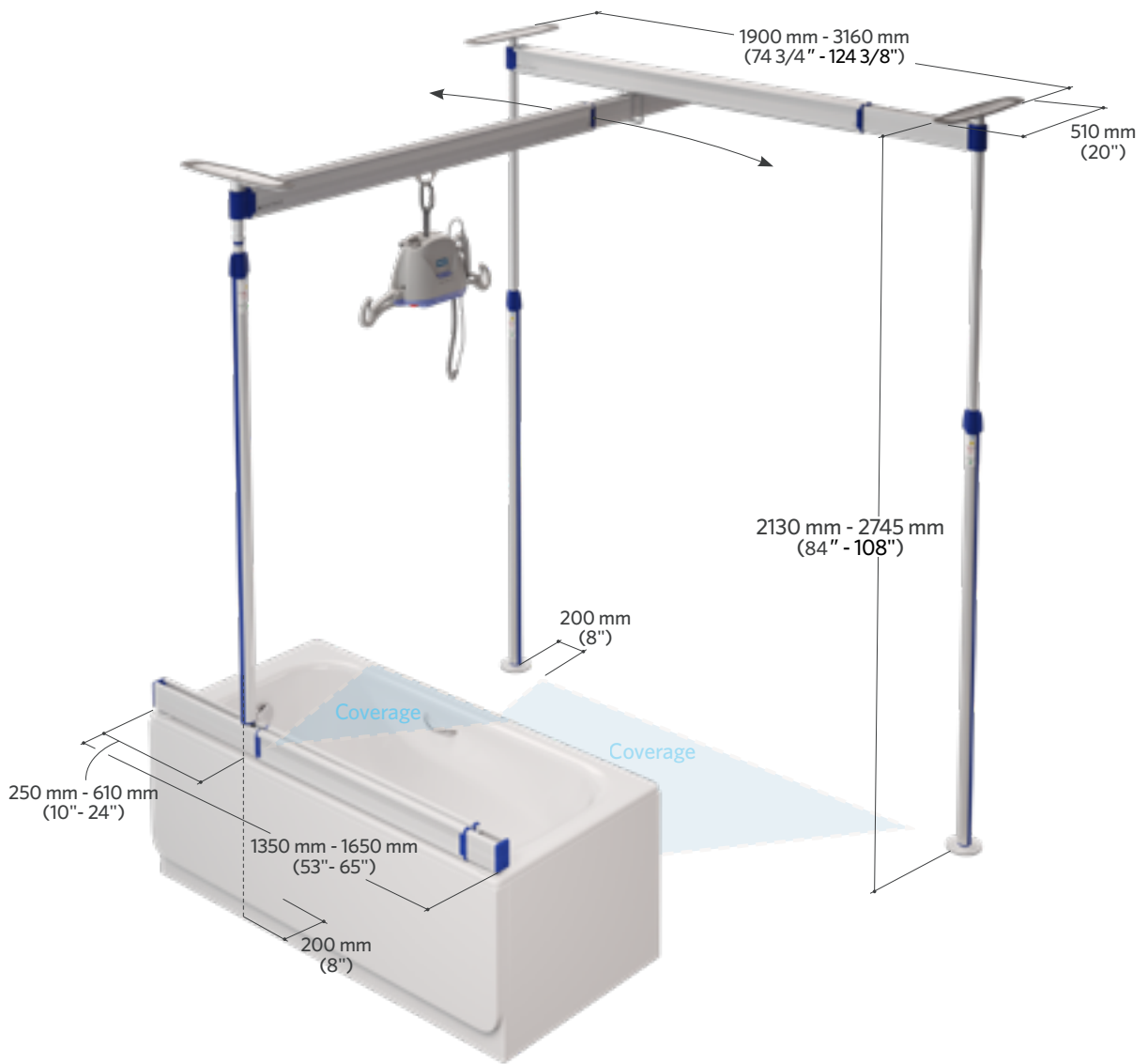
GENERAL	
Lifting capacity	200 kg (440 lb)
Weight	42.5 kg (93.5 lb)
Material	Aluminium
Ceiling plate	510 mm (20")
Floor plate	120 mm (4.8")
Compliant with:	ISO 10535:2006

## COMMON PARTS

ARTICLE #	DESCRIPTION
1 <b>9330110</b>	Easytrack - 3 posts & bath adaptor
2 <b>700.10880</b>	Bath adaptor
3 <b>700.10750</b>	Extendable track 3000 mm (118") & trolley
4 <b>700.10250</b>	X-Y Tracks 3000 mm (118")
5 <b>700.10500</b>	Standard post
6 <b>700.10455</b>	Pivoting post assembly
7 <b>200.10720</b>	Round end cap
8 <b>000.03280</b>	Allen key 6mm
9 <b>700.10600</b>	Clip-on level
10 <b>700.10400</b>	Top plate for post
11 <b>700.10350</b>	Round foot plate for post
12 <b>700.10230</b>	Post strip (2 pieces)
13 <b>700.11005</b>	KWIKtrak autolock track stopper
14 <b>700.10720</b>	Extendable track 1300-1900 mm (52-75") & trolley
15 <b>002.10450</b>	Easytrack transport bag
16 <b>700-08310</b>	Reacher - 610 mm (24")
16 <b>700-08320</b>	Reacher - 910 mm (36")



# PRODUCT DIMENSION





## Easytrack 2 wall brackets

Wall mounting system with wall bracket combination, for portable ceiling lifts

## USAGE EXAMPLE

In this option, there are two wall brackets which support a track thus permitting lifting all along this track. Easytrack can also be fastened to the wall in various configurations.



# PRODUCT INFORMATION

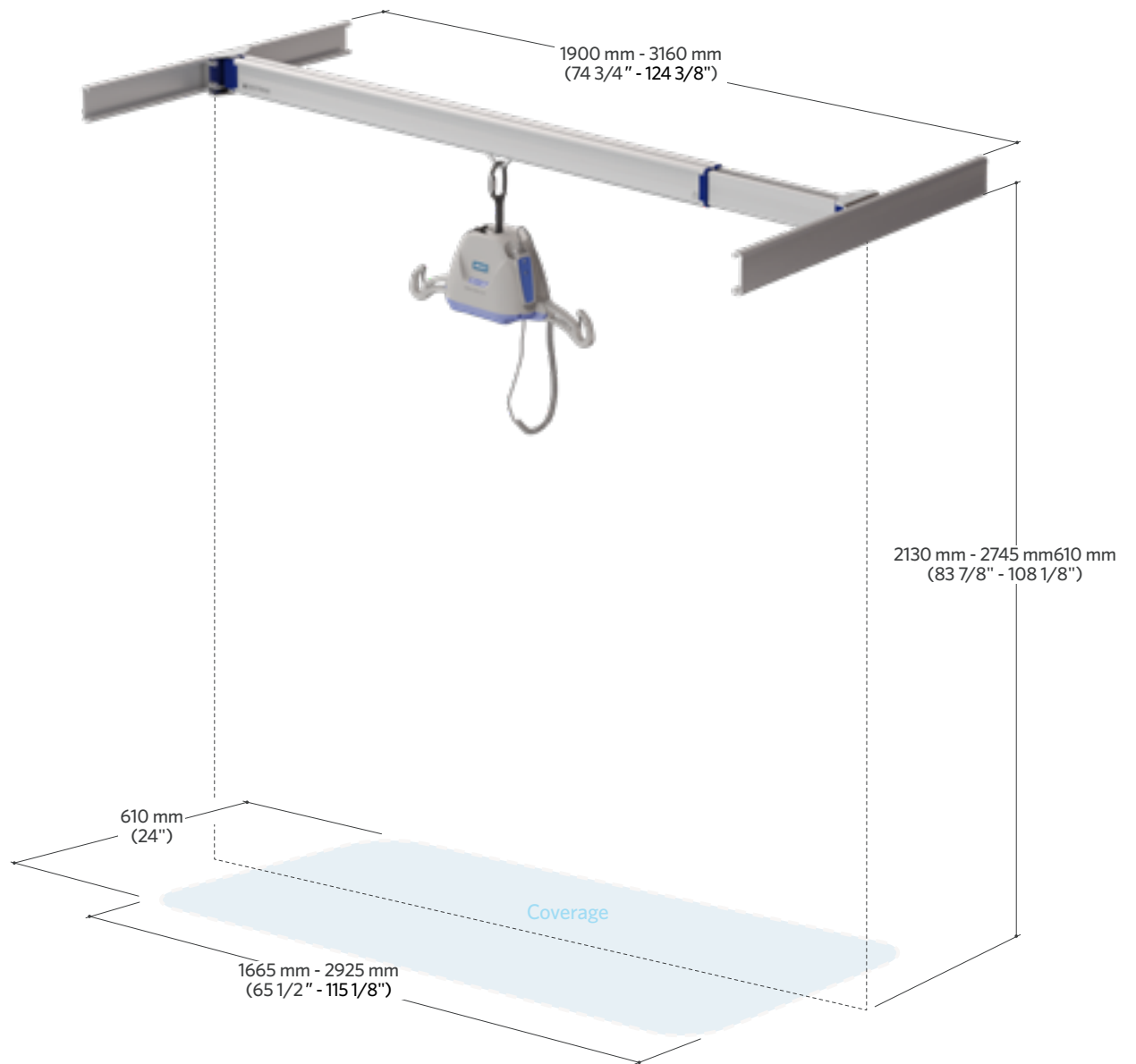
GENERAL	
Lifting capacity	200 kg (440 lb)
Weight	42.5 kg (93.5 lb)
Material	Aluminium
Ceiling plate	510 mm (20")
Floor plate	120 mm (4.8")
Compliant with:	ISO 10535:2006

## COMMON PARTS

ARTICLE #	DESCRIPTION
1 <b>9202010</b>	Easytrack - 2 wall brackets
2 <b>700.10750</b>	Extendable track 3000 mm (118") & trolley
3 <b>000.03280</b>	Allen key 6mm
4 <b>700.10860</b>	Wall bracket kit - 1000 mm (39")
5 <b>700.10720</b>	Extendable track 1300-1900 mm (52-75") & trolley
6 <b>002.10450</b>	Easytrack transport bag
7 <b>700-08310</b>	Reacher - 610 mm (24")
7 <b>700-08320</b>	Reacher - 910 mm (36")



# PRODUCT DIMENSION







## Easytrack 3 wall brackets

Wall mounting system combined at three locations with pivoting track, for portable ceiling lifts

## USAGE EXAMPLE

Ceiling not suitable for a pressure fit mounting ?

Easytrack can also be fastened to the wall in various configurations like this three wall brackets system with a pivoting 2nd track for greater room covering.

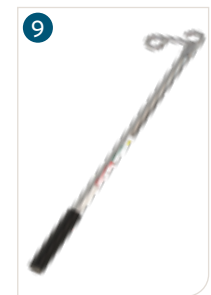
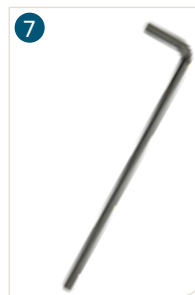
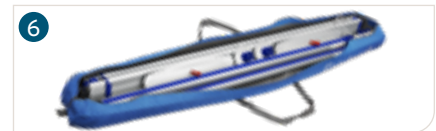
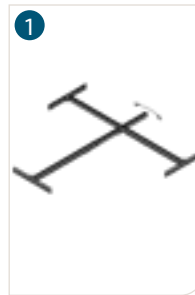


# PRODUCT INFORMATION

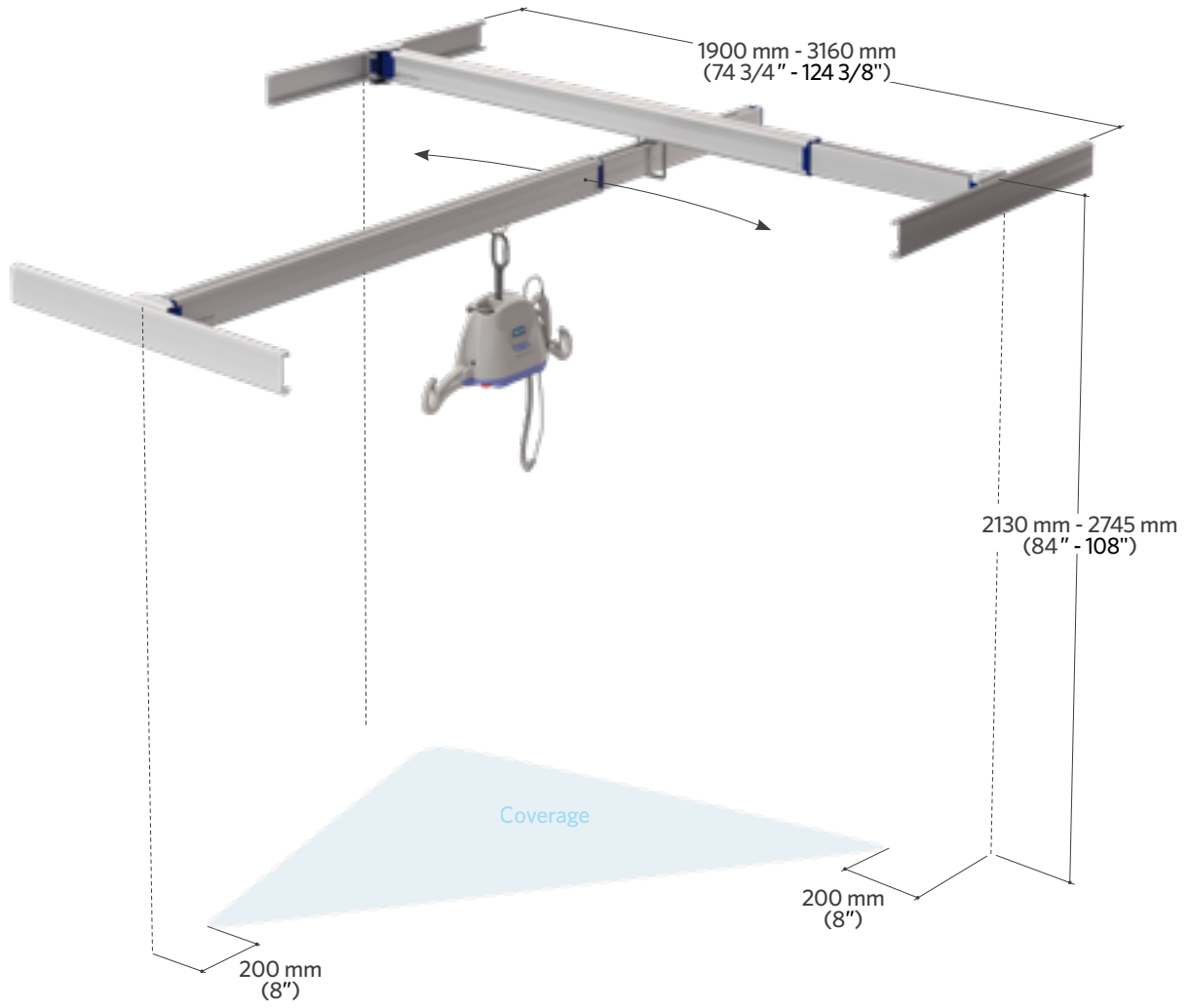
GENERAL	
Lifting capacity	200 kg (440 lb)
Weight	42.5 kg (93.5 lb)
Material	Aluminium
Ceiling plate	510 mm (20")
Floor plate	120 mm (4.8")
Compliant with:	ISO 10535:2006

## COMMON PARTS

ARTICLE #	DESCRIPTION
1 <b>9303010</b>	Easytrack - 3 wall brackets
2 <b>700.10850</b>	Pivoting extendable track 3000 mm (118") & trolley
3 <b>700.10800</b>	Extendable track 3000 mm (118") & swivel trolley
4 <b>700.10860</b>	Wall bracket kit - 1000 mm (39")
5 <b>700.10720</b>	Extendable track 1300-1900 mm (52-75") & trolley
6 <b>002.10450</b>	Easytrack transport bag
7 <b>000.03280</b>	Allen key 6mm
8 <b>700.11005</b>	KWIKtrak autolock track stopper
9 <b>700-08310</b>	Reacher - 610 mm (24")
9 <b>700-08320</b>	Reacher - 910 mm (36")



# PRODUCT DIMENSION





## Easytrack 1 post with wall bracket

Pressure fit system with wall bracket combined with one post, for portable ceiling lifts

## USAGE EXAMPLE

This combination allows to securely anchor a wall bracket on one side and a pressure fitted post on the other where anchoring is not possible.

Other versatile options are available such as 3 post, 4 post, bath tub adaptor and wall bracket configurations



# PRODUCT INFORMATION

GENERAL	
Lifting capacity	200 kg (440 lb)
Weight	20 kg (44 lb)
Material	Aluminium
Ceiling plate	510 mm (20")
Floor plate	120 mm (4.8")
Compliant with:	ISO 10535:2006

## COMMON PARTS

ARTICLE #	DESCRIPTION
1 <b>9211010</b>	Easytrack - 1 Post + 1 Wall bracket
2 <b>700.10750</b>	Extendable track 3000 mm (118") & trolley
3 <b>700.10860</b>	Wall bracket kit - 1000 mm (39")
4 <b>700.10500</b>	Standard post
5 <b>700.10650</b>	Trolley for portable lifts/Easytrack
6 <b>200.10720</b>	Round end cap
7 <b>700.10600</b>	Clip-on level
8 <b>700.10400</b>	Top plate for post
9 <b>700.10350</b>	Round foot plate for post
10 <b>700.10230</b>	Post strip (2 pieces)
11 <b>000.03280</b>	Allen key 6mm
11 <b>203.02505</b>	Allen key 4mm
12 <b>002.10450</b>	Easytrack transport bag
13 <b>700.10720</b>	Extendable track 1300-1900 mm (52-75") & trolley
14 <b>700-08310</b>	Reacher - 610 mm (24")
14 <b>700-08320</b>	Reacher - 910 mm (36")



# PRODUCT DIMENSION







## Easytrack 2 posts with wall bracket

Pressure fit system with wall bracket combined with two posts and pivoting track, for portable ceiling lifts.

## USAGE EXAMPLE

The combination allows to securely anchor a wall bracket on one side and a pressure fitted posts on the other where anchoring is not possible.

Other versatile options are available such as 2 post, 3 post, 4 post and bath tub adaptor configurations.



# PRODUCT INFORMATION

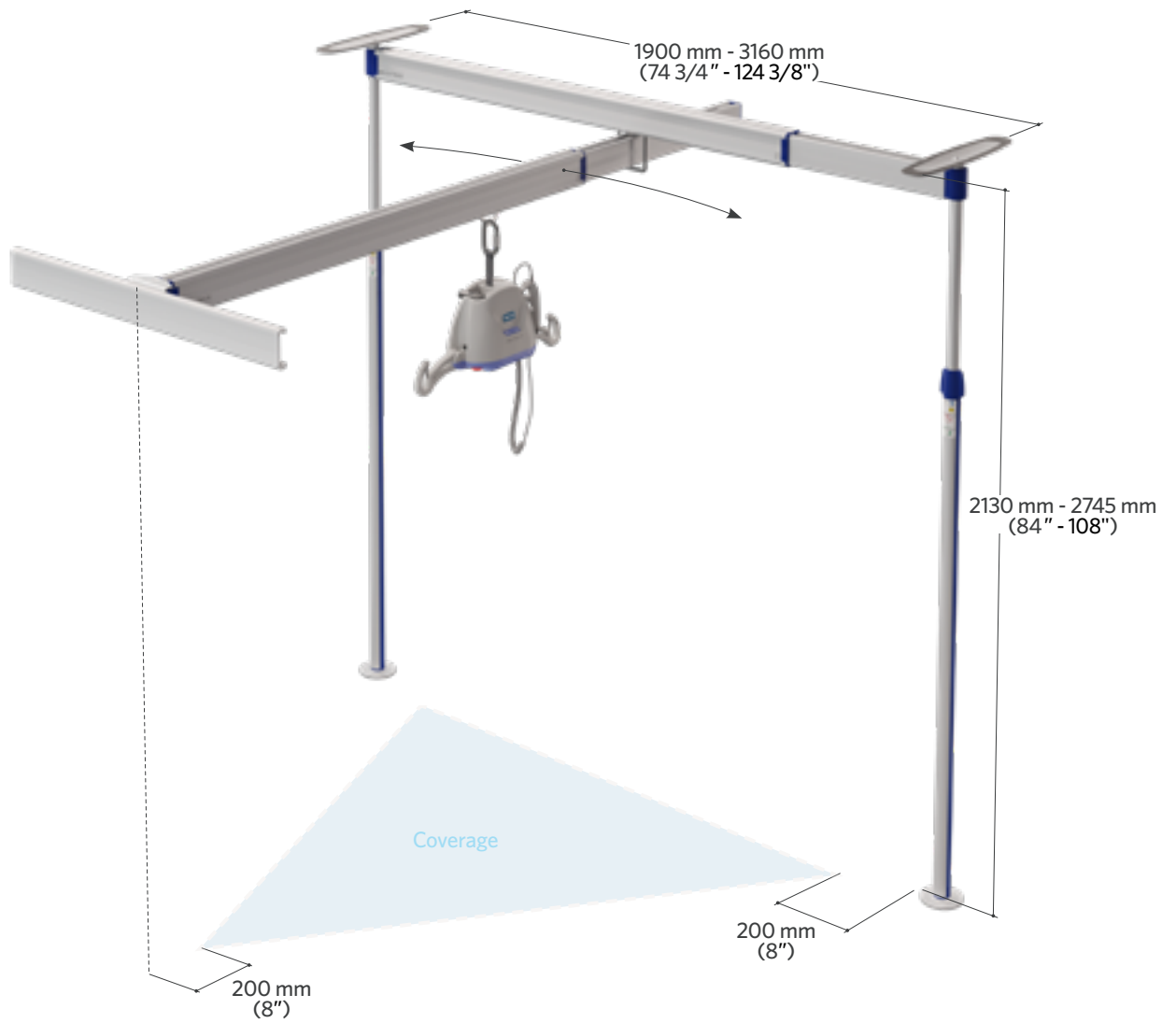
GENERAL	
Lifting capacity	200 kg (440 lb)
Weight	42.5 kg (93.5 lb)
Material	Aluminium
Ceiling plate	510 mm (20")
Floor plate	120 mm (4.8")
Compliant with:	ISO 10535:2006

## COMMON PARTS

ARTICLE #	DESCRIPTION
1 <b>9321010</b>	Easytrack - 2 posts and 1 wall bracket
2 <b>700.10850</b>	Pivoting extendable track 3000 mm (118") & trolley
3 <b>700.10800</b>	Extendable track 3000 mm (118") & swivel trolley
4 <b>700.10860</b>	Wall bracket kit - 1000 mm (39")
5 <b>700.10500</b>	Standard post
6 <b>200.10720</b>	Round end cap
7 <b>000.03280</b>	Allen key 6mm
8 <b>700.10600</b>	Clip-on level
9 <b>700.10400</b>	Top plate for post
10 <b>700.10350</b>	Round foot plate for post
11 <b>700.10230</b>	Post strip (2 pieces)
12 <b>200.11050</b>	End cap
13 <b>700.11005</b>	KWIKtrak autolock track stopper
14 <b>700-08310</b>	Reacher - 610 mm (24")
14 <b>700-08320</b>	Reacher - 910 mm (36")
15 <b>700.10720</b>	Extendable track 1300-1900 mm (52-75") & trolley
16 <b>002.10450</b>	Easytrack transport bag



# PRODUCT DIMENSION



[Page intentionally left blank]



# Accessories

Page intentionally left blank



# Maxi Carts



Page intentionally left blank

## OVERVIEW

The Arjo Maxi Carts are designed to support caregivers by reducing the amount of manual lifts within care facilities.



Maxi Cart 2 (for spreader bars)



Maxi Cart 440



Maxi Cart for Maxi Sky 2

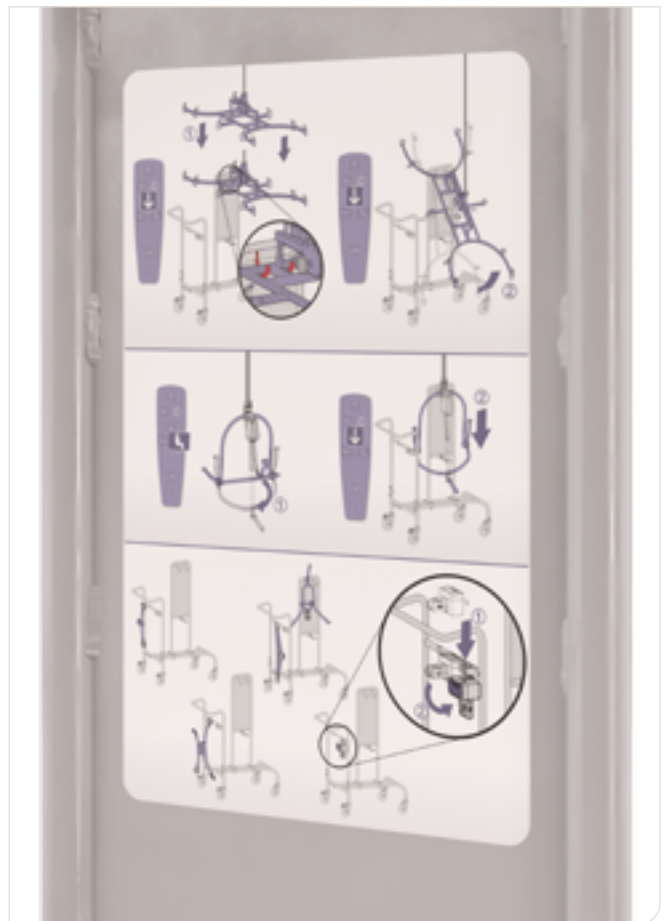
## MAXI CART FOR MAXI SKY 2 SERIES



Straps to secure the ladder (ladder not included)



## MAXI CART 2 (FOR SPREADER BARS)



# MAXI CART 440



Storage for Maxi Sky 440



Reacher in its holder



Back wheels with brakes

## PART NUMBERS

ARTICLE #	DESCRIPTION
1 <b>MCA0002</b>	Maxi Cart 2 (for spreader bars)
2 <b>MCA0001</b>	Maxi Cart 440
3 <b>MCA0004</b>	Maxi Cart for Maxi Sky 2



### SPARE PARTS FOR MAXI CART 440

ARTICLE #	DESCRIPTION
<b>92503672</b>	Base frame
<b>92503673</b>	Supporting bracket
<b>92503674</b>	Handle components
<b>92503890</b>	Locate the fork components

### SPARE PARTS FOR MAXI CART 440 & MAXI CART FOR MS2

ARTICLE #	DESCRIPTION
<b>92503675</b>	Base frame
<b>92503676</b>	Handle components
<b>92503677</b>	Place the component
<b>93050683</b>	Charger basket component
<b>93090832</b>	Plastic basin
<b>93030130</b>	Castor (no lock)
<b>93030131</b>	Castor (with lock)
<b>94003014</b>	Allen pan head screws M8x20

PRODUCT DIMENSION

Maxi Cart for Maxi Sky 2 Series





PRODUCT DIMENSION

**Maxi Cart 2 (for spreader bars)**



PRODUCT DIMENSION

Maxi Cart 440



TECHNICAL REFERENCE GUIDE AND PARTS OVERVIEW

# Privacy curtain solutions



Page intentionally left blank



# Swivel pole for curtain

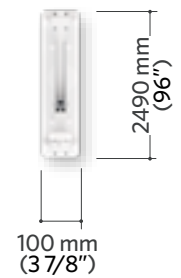
Systems for privacy and for separation of areas

## PART NUMBERS

	ARTICLE #	DESCRIPTION
1	<b>700.12000</b>	Swivel pole for curtain (Curtain not included)
2	<b>700.12032</b>	Ceiling bracket for curtain pole
	<b>200.11460</b>	Extrusion 2,2 m (55" x 90") White



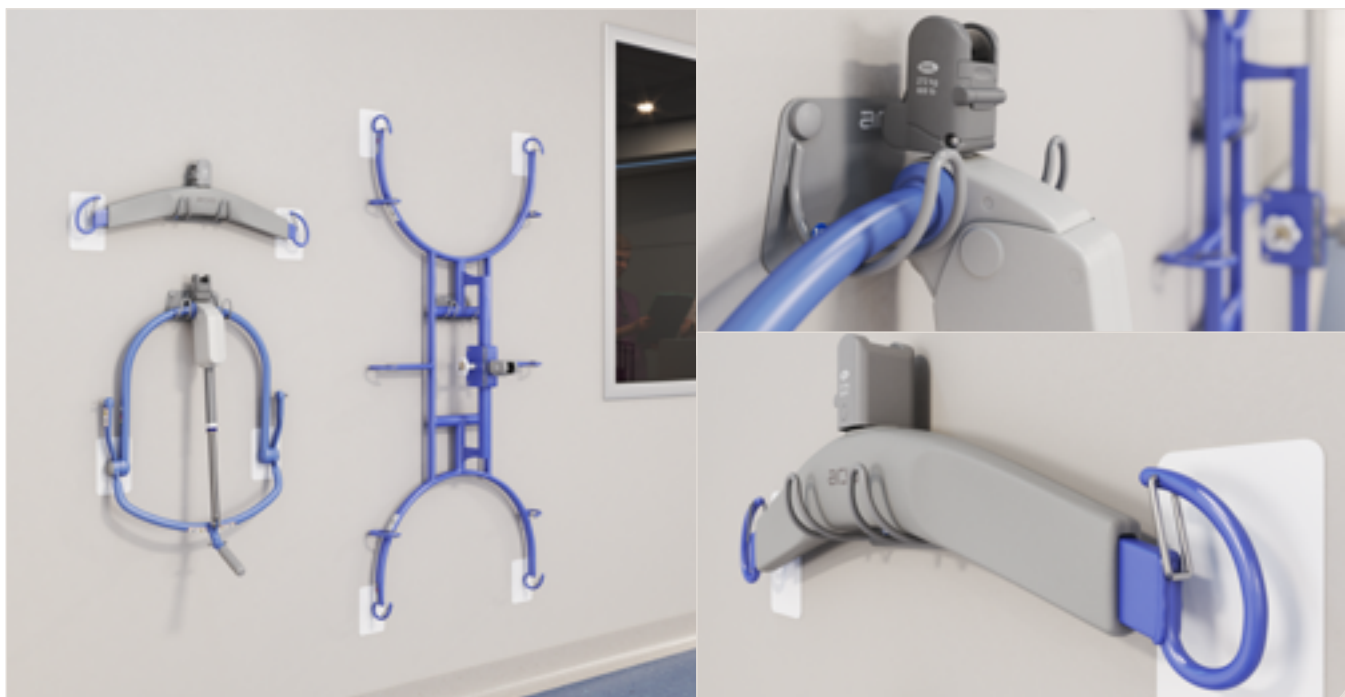
## PRODUCT DIMENSION



# Miscellaneous



# Wall hooks



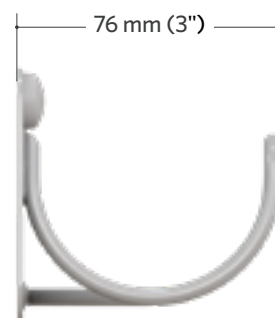
This storage system keeps the equipment close at hand while reducing space requirements.

## PART NUMBERS

ARTICLE #	DESCRIPTION
1 <b>700-05959</b>	Wall support kit (including 4 wall protective plates)
2 <b>200-05952</b>	Wall protective plate (1 pc)



## PRODUCT DIMENSION





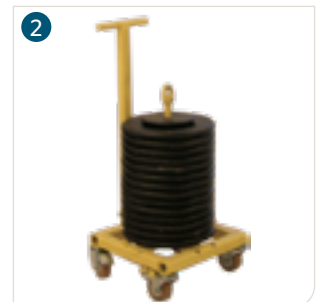
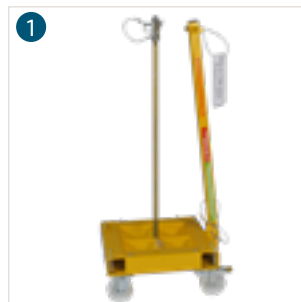
# Weight load test

This set of weights makes it possible to verify that each installation of tracks meets the standards for load support.



## PART NUMBERS

	ARTICLE #	DESCRIPTION
1	<b>700.12560</b>	Empty trolley - for Load Test
2	<b>700.12530</b>	Trolley + 11 discs/272kg (600 lb)
2	<b>700.12500</b>	Trolley + 14 discs/340kg (750 lb)
3	<b>001.12725.33</b>	SWL label for track





# Appendix

# Other product categories

Technical Reference Guide & Parts Overview for both the Slings, lateral transfers and repositioning and Floor lifts are also available.

## Slings, lateral transfers and repositioning

This document will presents you everything you need to know about the consumable, such as the different tissues they're made of, the color coding for sizes, the complete range of sling models fully detailed with clear pictures, part numbers. And includes a table to help you chose the perfect sling models for your needs.



Technical reference guide and parts overview slings  
#01.LG.11.1.GB-INT.1.Arjo



Technical reference guide and parts overview Floor lifts  
#01.LG.10.1.GB-INT.1.Arjo

## Floor lifts

This document group up all of our Floor lifts with their options, including the most recent products.

We strongly suggest you to pass through these two documents, since you might discover some products you didn't know we're offering.

Also, we would like to draw your attention to the fact that some products presents in these reference guides might not be available in your region. If you think they would be a great addition to your local portfolio, please contact us to verify if that's something doable or not.

# The Arjo expertise

Arjo has decades of experience in working with architects, nursing home management and all those involved in day-to-day healthcare.

Our in-depth knowledge on Injury Prevention, Resident Care and Infection Control means we can offer expert advice on the practical aspects of planning: from Space requirements for working areas and equipment to tips on the design of sluice rooms.

We have developed guidelines that offer improved working conditions, enhanced quality of life for residents/patients and a better return on investment for healthcare facilities.



# Arjo care

We care for your equipment, so you can focus on what matters

Ensuring your equipment performs as it should is as much our priority as it is yours. Our proactive service approach aims to prevent issues before they occur, reducing the risk of costly equipment faults that may disrupt workflow efficiency and put the safety of your staff and patients at risk. Let us care for your equipment so you can focus on what you do best - providing high quality care.

## We are Arjo

Driven by our dedication to human health and well-being, our work contributes to a sustainable healthcare system with people in mind. Arjo Care is represented by 800 dedicated service technicians across 25 countries.



# Portal for architects and planners

We've talked to architects across the globe to find out more about their process, and how we can support them. The result is the online Arjo Guide for Architects and Planners.

## Global experience at a local level

Since 1957, we have been driven by a mission to improve quality of life for people affected by reduced mobility and age-related health challenges.

With products and solutions that ensure ergonomic patient handling, personal hygiene, disinfection, and the prevention of pressure injury and venous thromboembolism, we help professionals across care environments to continually raise the standard of safe and dignified care. Today, we are recognized as a global partner, providing products and services to over 100 countries worldwide.

## Your partner in facility design

We have a long history of collaborating closely with architects, nursing home executives, safe patient handling experts, residents and relatives. Our experience has taught us that to create efficient care facilities and to obtain a good working environment, the right combination of environment, equipment and care skills are needed. Therefore it is key to design for sufficient space early in the planning of a new facility

## Optimising care facilities

Planning a care facility is about planning for the future, and will impact both the efficiency and quality of care and the work environment for the caregivers.

We base our work on our Positive Eight™ philosophy and starts with the combination of environment, equipment and care skills.

We have also developed The Mobility Gallery™, a validated risk assessment tool based on five personas and their levels of functional mobility

## The importance of right space

Our experience has taught us that to create efficient care facilities and to obtain a good working environment, equipment and care skills are needed.

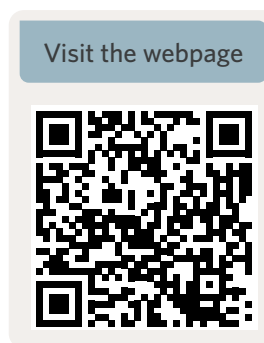
Therefore it is key to design for sufficient space early in the planning of a new facility.

## BIM objects

Dozens of 3D BIM Revit format files are available for download, ready for use.

## How to access it ?

All architects and people from Arjo can request an access, here:



<https://www.Arjo.com/int/solutions/architects-and-planners/>

# Youtube videos

## The Arjo Global Youtube channel

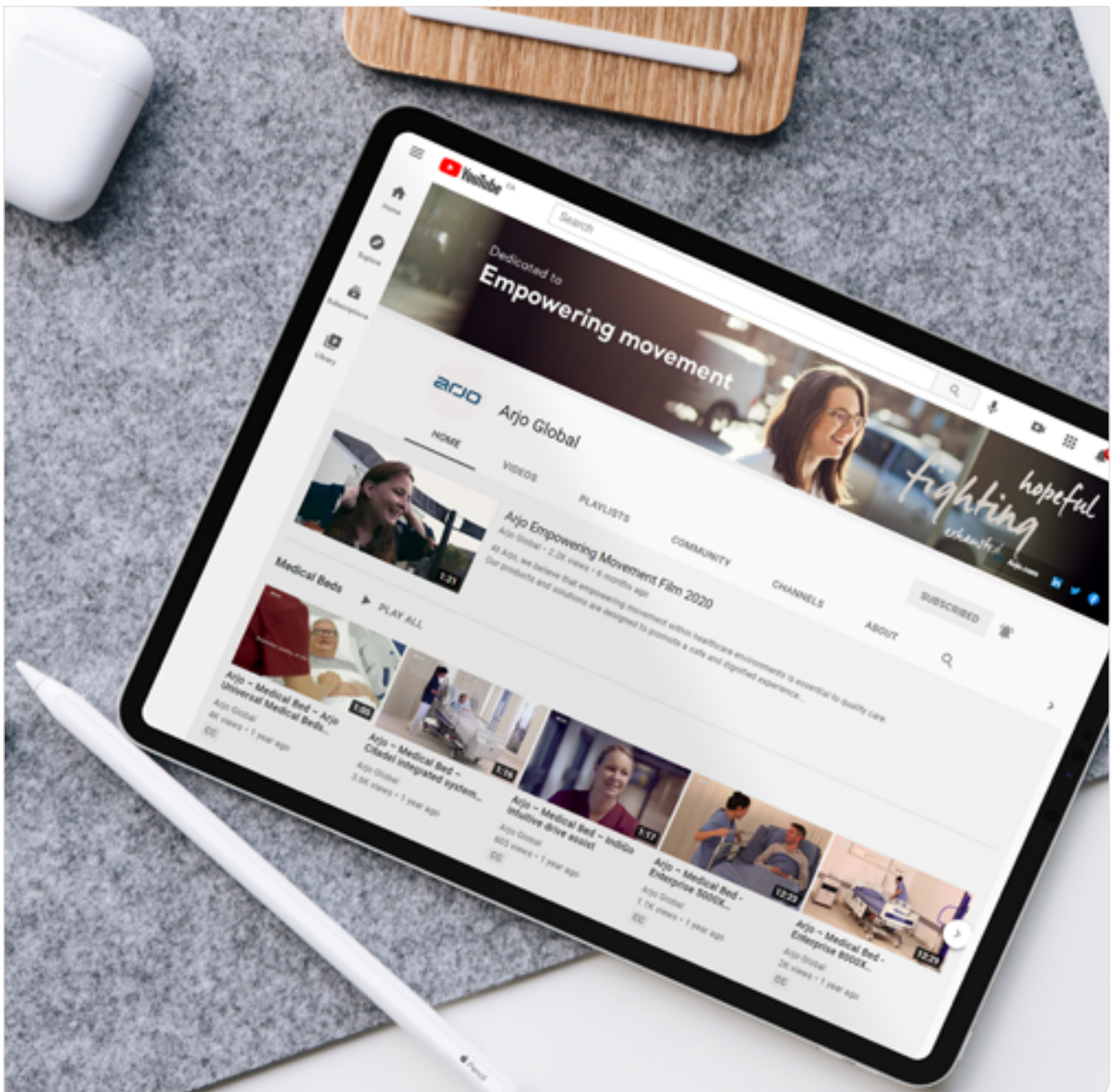
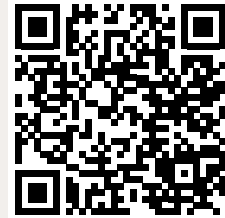
Learn how to use, or maintain our products with our YouTube videos. New videos are added regularly.

### How to access it ?

To visit the Arjo Global Youtube channel, visit the Youtube website ([www.Youtube.com/arjovideos](http://www.Youtube.com/arjovideos)) or launch the Youtube application on your portable device, search for "Arjo global", and click on the "Arjo" logo.

Alternatively, using your portable device Camera application, scan aside QR code:

Visit the webpage





# Metric conversions and equivalents

The Metric Conversion Act of 1975, as amended by the Omnibus Trade and Competitiveness Act of 1988, establishes the SI (System International) metric system as the preferred system of measurement in the United States for trade and commerce.

Many products are currently manufactured and supplied in SI or “hard” metric sizes such as anchor bolts of 10 mm, 12 mm, etc. Where the inch-pound system is given or used, “soft” metric conversion can sometimes be used (but specifically not when selecting critical to only use the specified Imperial or Metric diameter bit).





The soft conversion diameters for anchor bolts is given by Table 1. Standard metric conversion factors commonly used for fastening products are given in Tables 2 & 3.

IMPERIAL SYSTEM	HARD METRIC	SOFT METRIC
Inch	mm	mm
1/4	6.35	6
5/16	7.94	8
3/8	9.52	10
1/2	12.70	12
5/8	15.88	16
3/4	19.05	20
1	25.40	25
1-1/4	31.75	32

TO CONVERT	INTO	MULTIPLY BY
<b>Length</b>		
inch (in.)	millimeter (mm)	25.4
foot (ft)	meter (m)	0.3048
<b>Area</b>		
square inch (in <sup>2</sup> )	square millimeter (mm <sup>2</sup> )	645.16
square inch (in <sup>2</sup> )	square centimeter (cm <sup>2</sup> )	6.4516
square foot (ft <sup>2</sup> )	square meter (m <sup>2</sup> )	0.0929
<b>Volume</b>		
cubic inch (in <sup>3</sup> )	cubic centimeter (cm <sup>3</sup> )	16.3871
cubic foot (ft <sup>3</sup> )	cubic meter (m <sup>3</sup> )	0.0283
gallon (US gal)	liter (L)	3.7854
<b>Force</b>		
pound force (lbf)	newton (N)	4.4482
pound force (lbf)	kilonewton (kN)	0.0044
<b>Pressure</b>		
pound/square inch (psi)	newton/square millimeter (N/mm <sup>2</sup> )	0.0069
pound/square inch (psi)	mega pascal (MPa)	0.0069
KIP/square inch (ksi)	mega pascal (MPa)	6.8946
pound/square foot (psf)	newton/square meter (N/m <sup>2</sup> )	47.8801
<b>Torque or Bending Moment</b>		
pound-force inch (ft-lbs)	newton meter (N/m)	1.3558
pound-force foot (lbf-ft)	newton meter (N/m)	0.1130
<b>Diaphragm Shear</b>		
pounds/ lineal foot (plf)	newton/meter (N/m)	14.5939

TO CONVERT	INTO	MULTIPLY BY
<b>Length</b>		
millimeter (mm)	inch (in.)	0.0394
meter (m)	foot (ft)	3.2808
<b>Area</b>		
square millimeter (mm <sup>2</sup> )	square inch (in <sup>2</sup> )	0.0016
square centimeter (cm <sup>2</sup> )	square inch (in <sup>2</sup> )	0.1550
square meter (m <sup>2</sup> )	square foot (ft <sup>2</sup> )	10.7639
<b>Volume</b>		
cubic centimeter (cm <sup>3</sup> )	cubic inch (in <sup>3</sup> )	0.0610
cubic meter (m <sup>3</sup> )	cubic foot (ft <sup>3</sup> )	35.3147
liter (L)	gallon (US gal)	0.2642
<b>Force</b>		
newton (N)	pound force (lbf)	0.2248
kilonewton (kN)	pound force (lbf)	224.8089
<b>Pressure</b>		
newton/square millimeter (N/mm <sup>2</sup> )	pound/square inch (psi)	145.0400
mega pascal (MPa)	pound/square inch (psi)	145.0400
mega pascal (MPa)	KIP/square inch (ksi)	0.1450
newton/square meter (N/m <sup>2</sup> )	pounds/square foot (psf)	0.0209
<b>Torque or Bending Moment</b>		
newton meter (N/m)	foot pound (ft-lbs)	0.7376
newton meter (N/m)	inch pound (in-lbs)	8.8496
<b>Diaphragm Shear</b>		
newton/meter (N/m)	pounds/ lineal foot (plf)	0.0685

# Glossary

TERMS/ACRONYMS/SYMBOLS	DESCRIPTION
<b>MISCELLANEOUS</b>	
Augmented Reality (AR)	Augmented Reality is an interactive experience of a real-world environment where the objects that reside in the real world are enhanced by computer-generated perceptual information, sometimes across multiple sensory modalities, including visual, auditory, haptic, somatosensory and olfactory.
Brake force	Force required to stop a moving lift
Infection Control	Infection control is the discipline concerned with preventing nosocomial or healthcare-associated infection.
QR Code	QR codes are two-dimensional barcodes, they often contain data for a locator, identifier, or tracker that points to a website, an application or in this case Augmented Reality models
Rolling force	Force required to push the lift and maintaining its movement
Start force	Force required to push the lift and make it move
SWL	Safe Working Load (SWL) is the maximum safe force that a piece of lifting equipment, lifting device or accessory can exert to lift, suspend, or lower, a given mass without fear of breaking.
	These symbols show the available sizes for the corresponding slings
	Washable sling
	Wipeable sling
	Disposable sling
<b>STANDARDS</b>	
AAMI	The AAMI standards program consists of over 100 technical committees and working groups that produce Standards, Recommended Practices, and Technical Information Reports for medical devices. Standards and Recommended Practices represent a national consensus and many have been approved by the American National Standards Institute (ANSI) as American National Standards.
ANSI	The American National Standards Institute (ANSI) is a private non-profit organization that oversees the development of voluntary consensus standards for products, services, processes, systems, and personnel in the United States.[3] The organization also coordinates U.S. standards with international standards so that American products can be used worldwide.
DSDC	DSDC is the world leader on the design of services and environments for people with dementia.
IEC 60601	60601 is a widely accepted benchmark for medical electrical equipment and compliance with IEC60601-1 has become a requirement for the commercialisation of electrical medical equipment in many countries.
IEC 60601-1	Requirements of 60601-1 may be overridden or bypassed by specific language in the standards for a particular product.
IP24	Protected against solid objects over 12 mm (e.g. fingers) and against water sprayed from all directions - limited ingress permitted
IPX4	Protection against water sprayed from all directions - limited ingress permitted
IPX7	Protected against the effect of immersion between 15 cm and 1 m
IPX24	Protection against direct sprays of water up to 15° from the vertical and against an impact of 2.0 joules (e.g. 500 g weight falling from 40 cm height)
ISO 10535	ISO 10535 specifies requirements and test methods only for hoists and body-support units intended for the transfer of disabled persons as classified in ISO 9999. The requirements of ISO 10535 are formulated with regard to the needs of both the disabled persons being hoisted and the attendant using the hoist.
Type BF	IEC 60601-1 uses the term applied part to refer to the part of the medical device which come into physical contact with the patient in order for the device to carry out its intended function.. Type BF is generally for devices that have conductive contact with the patient, or having medium or long term contact with the patient.
UL 2601-1	this Standard is primarily concerned with safety, it contains some requirements regarding reliable operation where this is connected with safety.

AUSTRALIA  
Arjo Australia  
Building B, Level 3  
11 Talavera Road  
Macquarie Park, NSW, 2113,  
Australia  
Phone: 1800 072 040

BELGIQUE / BELGIË  
Arjo Belgium  
Evenbroekveld 16  
9420 Erpe-Mere  
Phone: +32 (0) 53 60 73 80  
Fax: +32 (0) 53 60 73 81  
E-mail: info.belgium@arjo.com

BRASIL  
Arjo Brasil Equipamentos Médicos Ltda  
Rua Marina Ciufuli Zanfelice, 329 PB02  
Galpão - Lapa  
São Paulo - SP - Brasil  
CEP: 05040-000  
Phone: 55-11-3588-5088  
E-mail: vendas.latam@arjo.com  
E-mail: servicios.latam@arjo.com

CANADA  
Arjo Canada Inc.  
90 Matheson Boulevard West  
Suite 350  
CA-MISSISSAUGA, ON, L5R 3R3  
Tel/Tél: +1 (905) 238-7880  
Free: +1 (800) 665-4831  
Fax: +1 (905) 238-7881  
E-mail: info.canada@arjo.com

ČESKÁ REPUBLIKA  
Arjo Czech Republic s.r.o.  
Na Strži 1702/65  
140 00 Praha  
Czech Republic  
Phone No: +420225092307  
E-mail: info.cz@arjo.com

DANMARK  
Arjo A/S  
Vassingerødvej 52  
DK-3540 LYNGE  
Tel: +45 49 13 84 86  
Fax: +45 49 13 84 87  
E-mail: dk\_kundeservice@arjo.com

DEUTSCHLAND  
Arjo GmbH  
Peter-Sander-Strasse 10  
DE-55252 MAINZ-KASTEL  
Tel: +49 (0) 6134 186 0  
Fax: +49 (0) 6134 186 160  
E-mail: info-de@arjo.com

ESPAÑA  
ARJO IBERIA S.L.  
Poligono Can Salvatella  
c/ Cabanyes 1-7  
08210 Barberà del Valles  
Barcelona - Spain  
Telefono 1: +34 900 921 850  
Telefono 2: +34 931 315 999

FRANCE  
Arjo SAS  
2 Avenue Alcide de Gasperi  
CS 70133  
FR-59436 RONCQ CEDEX  
Tél: +33 (0) 3 20 28 13 13  
Fax: +33 (0) 3 20 28 13 14  
E-mail: info.france@arjo.com

HONG KONG  
Arjo Hong Kong Limited  
Room 411-414, 4/F, Manhattan Centre,  
8 Kwai Cheong Road, Kwai Chung, N.T.,  
HONG KONG  
Tel: +852 2960 7600  
Fax: +852 2960 1711

ITALIA  
Arjo Italia S.p.A.  
Via Giacomo Peroni 400-402  
IT-00131 ROMA  
Tel: +39 (0) 6 87426211  
Fax: +39 (0) 6 87426222  
E-mail: Italy.promo@arjo.com

MIDDLE EAST  
Arjo Middle East FZ-LLC  
Office 908, 9th Floor,  
HQ Building, North Tower,  
Dubai Science Park,  
Al Barsha South  
P.O. Box 11488, Dubai,  
United Arab Emirates  
Direct +971 487 48053  
Fax +971 487 48072  
Email: Info.ME@arjo.com

NEDERLAND  
Arjo Nederland BV  
Biezenwei 21  
4004 MB TIEL  
Postbus 6116  
4000 HC TIEL  
Tel: +31 (0) 344 64 08 00  
Fax: +31 (0) 344 64 08 85  
E-mail: info.nl@arjo.com

NEW ZEALAND  
Arjo Ltd  
34 Vestey Drive  
Mount Wellington  
NZ-AUCKLAND 1060  
Tel: +64 (0) 9 573 5344  
Free Call: 0800 000 151  
Fax: +64 (0) 9 573 5384  
E-mail: nz.info@Arjo.com

NORGE  
Arjo Norway AS  
Olaf Helsets vei 5  
N-0694 OSLO  
Tel: +47 22 08 00 50  
Faks: +47 22 08 00 51  
E-mail: no.kundeservice@arjo.com

ÖSTERREICH  
Arjo Austria GmbH  
Lemböckgasse 49 / Stiege A / 4.OG  
A-1230 Wien  
Tel: +43 1 8 66 56  
Fax: +43 1 866 56 7000

POLSKA  
Arjo Polska Sp. z o.o.  
ul. Ks Piotra Wawrzyniaka 2  
PL-62-052 KOMORNIKI (Poznań)  
Tel: +48 61 662 15 50  
Fax: +48 61 662 15 90  
E-mail: arjo@arjo.com

PORTUGAL  
Arjo em Portugal  
MAQUET Portugal, Lda.  
(Distribuidor Exclusivo)  
Rua Poeta Bocage n.º 2 - 2G  
PT-1600-233 Lisboa  
Tel: +351 214 189 815  
Fax: +351 214 177 413  
E-mail: Portugal@arjo.com

SUISSE / SCHWEIZ  
Arjo Switzerland AG  
Fabrikstrasse 8  
Postfach  
CH-4614 HÄGENDORF  
Tél/Tel: +41 (0) 61 337 97 77  
Fax: +41 (0) 61 311 97 42

SUOMI  
Arjo Scandinavia AB  
Riihitontuntie 7 C  
02200 Espoo  
Finland  
Puh: +358 9 6824 1260  
E-mail: Asiakaspalvelu.finland@arjo.com

SVERIGE  
Arjo International HQ  
Hans Michelsensgatan 10  
SE-211 20 MALMÖ  
Tel: +46 (0) 10 494 7760  
Fax: +46 (0) 10 494 7761  
E-mail: kundservice@arjo.com

UNITED KINGDOM  
Arjo UK and Ireland  
Houghton Hall Park  
Houghton Regis  
UK-DUNSTABLE LU5 5XF  
Tel: +44 (0) 1582 745 700  
Fax: +44 (0) 1582 745 745  
E-mail: sales.admin@arjo.com

USA  
Arjo Inc.  
2349 W Lake Street Suite 250  
US-Addison, IL 60101  
Tel: +1 (630) 307-2756  
Free: +1 (800) 323-1245  
Fax: +1 (630) 307 6195  
E-mail: us.info@arjo.com

JAPAN  
Arjo Japan K.K.  
東京都港区虎ノ門三丁目7番8号  
ランディック第2 虎ノ門ビル9階  
Tel: +81 (0)3-6435-6401  
Fax: +81 (0)3-6435-6402  
E-mail: info.japan@arjo.com

Page intentionally left blank



At Arjo, we believe that empowering movement within healthcare environments is essential to quality care. Our products and solutions are designed to promote a safe and dignified experience through patient handling, medical beds, personal hygiene, disinfection, diagnostics, and the prevention of pressure injuries and venous thromboembolism. With over 6000 people worldwide and 60 years caring for patients and healthcare professionals, we are committed to driving healthier outcomes for people facing mobility challenges.

Arjo AB • Hans Michelsengatan 10 • 211 20 Malmö • Sweden • +46 10 335 4500

[www.arjo.com](http://www.arjo.com)

