

Maxi Sky 2



Design Policy and Copyright

® and ™ are trademarks belonging to the Arjo group of companies.

© Arjo 2022.

As our policy is one of continuous improvement, we reserve the right to modify designs without prior notice. The content of this publication may not be copied either whole or in part without the consent of Arjo.

General Information

Before ordering spare parts, study the exploded view closely and make sure that you are familiar with all the spare parts involved.

Before contacting the Arjo Parts Sales department, always have the following information at hand:

- Correct name of the product (see Product Label below).
- The serial number of the product (see Product Label below).

Product Label

MANUFACTURER INFORMATION → ArjoHuntleigh AB - Hans Michelsensgatan 10 - 211 20 Malmö - SWEDEN
2020-06-02 Made in Canada www.arjo.com

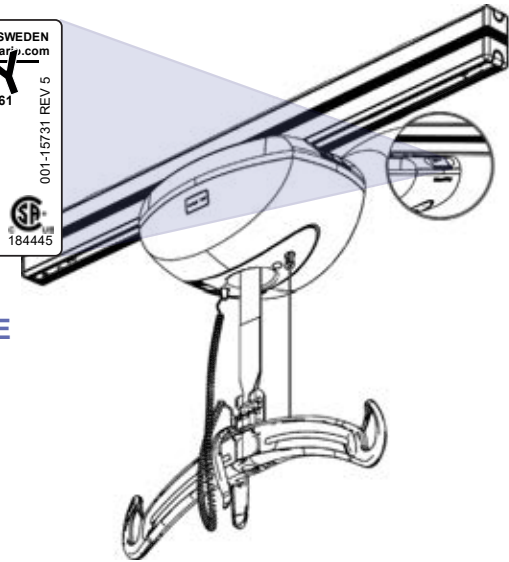
PRODUCT NUMBER → REF **MSXXX** MAXI SKY 2

SERIAL NUMBER → SN XXXXXXXXXX

MANUFACTURING DATE → DUTY CYCLE: 10%, 6 min/hour
1 min cont. 100%

RATING: 24V 5A
MAX. LOAD 20kg

001-15731 REV 5
184445



PRODUCT NUMBER NOMENCLATURE

MSXXX-XX-XX

MSXXX

XX

XX


MODEL:
COUNTRY SUFFIX, PLEASE REFER TO:
"CODIFICATION - COUNTRIES"

HAND CONTROL:
0 - NO HAND CONTROL
1 - REGULAR
2 - REGULAR WITH DPS CONTROLS

TRACK SYSTEM COMPATIBILITY:

0 - NONE	Q - Q, R, S PROFILE
1 - MAXI SKY 2 PLUS	(NOTE 5)
2 - EXTENDED TROLLEY	T - T PROFILE
A - A, D & E PROFILE	V - V PROFILE
B - B PROFILE	W - W PROFILE
G - G PROFILE	
L - L PROFILE	
M - M PROFILE	
P - P & N PROFILE	

OPTION:
0 - NONE
1 - RADIUS WHEELS (NOTE 2)
2 - NARROW WHEELS (NOTE 3)
3 - PCB WITH CONFORMAL COATING
4 - WITHOUT QUICK CONNECT
5 - INFECTION CONTROL
6 - INFECTION CONTROL & PCB WITH CONFORMAL COATING

POWERING:
0 - ECS, ENHANCED CHARGING SYSTEM (NOTE 1)
1 - CSTAT, CHARGER STATION
2 - WCS, WALL CHARGING SYSTEM (NOTE 4)
3 - ECS GATE, ENHANCED CHARGING SYSTEM FOR GATE LAYOUTS (NOTE 7) 

LATERAL MOTION:
0 - 2 FUNCTION, MANUAL LATERAL MOVEMENT
1 - 4 FUNCTION, MOTORIZED LATERAL MOVEMENT
2 - 2 FUNCTION, MANUAL LATERAL MOVEMENT, UP-DOWN ELECTRICAL MOTOR BRAKE
3 - 4 FUNCTION, MOTORIZED LATERAL MOVEMENT, UP-DOWN ELECTRICAL MOTOR BRAKE

PRODUCT : MAXI SKY 2

NOTE 1: THESE OPTIONS ARE ONLY AVAILABLE WITH TRACK SYSTEMS "0" AND "P".


NOTE 2: THESE OPTIONS ARE ONLY AVAILABLE WITH TRACK SYSTEMS "G", "V" AND "W".

NOTE 3: THESE OPTIONS ARE ONLY AVAILABLE WITH TRACK SYSTEM "T".

NOTE 4: THESE OPTIONS ARE ONLY AVAILABLE WITH HAND CONTROL OPTIONS "0" OR "1".

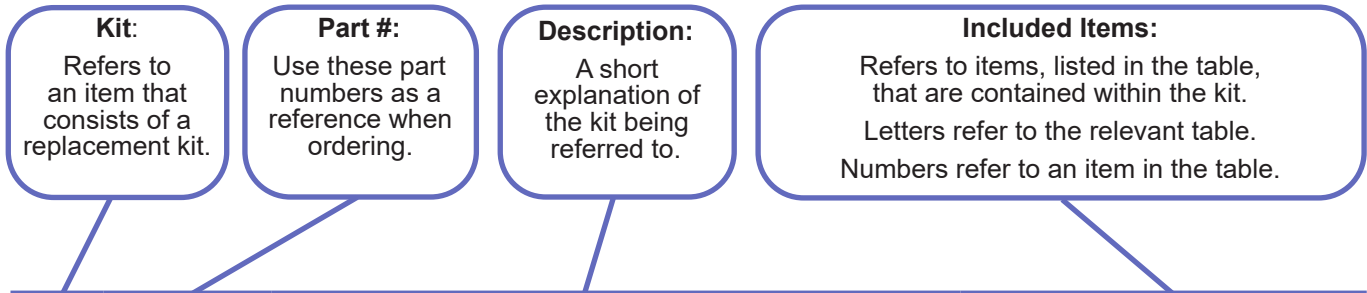
NOTE 5: THESE OPTIONS ARE ONLY AVAILABLE WITH LATERAL MOTION OPTION "0".

NOTE 6: IF MSXXX ONLY, REFERS TO THE BASE MODEL USED FOR GTIN PURPOSES.

NOTE 7: THESE OPTIONS ARE ONLY AVAILABLE WITH TRACK SYSTEMS "0". 

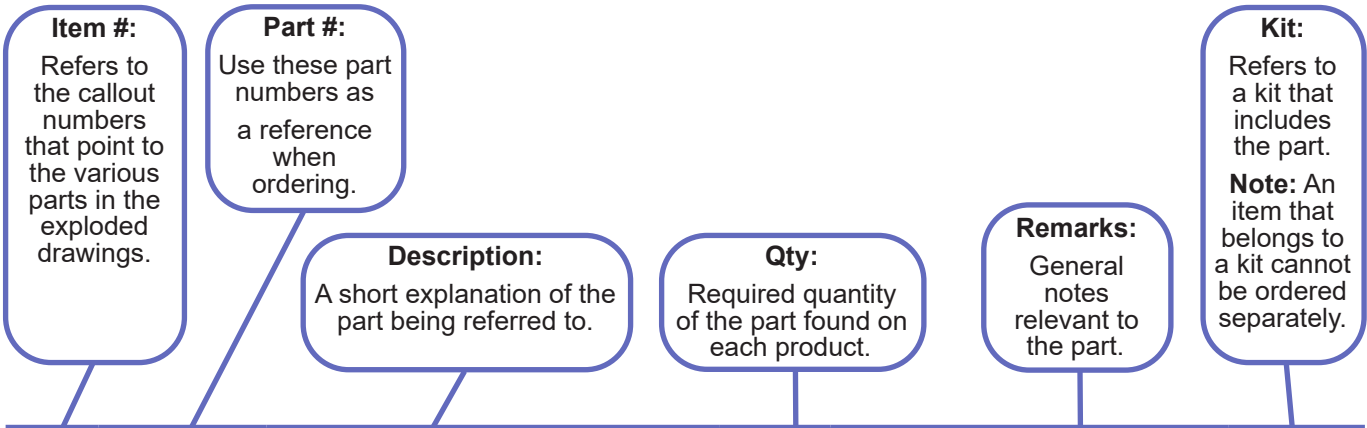
Modifications made to the equipment without Arjo's express acknowledgement will invalidate supplier's product liability.

How to Read Parts List Tables



A *REPLACEMENT KITS TABLE*

Item	Part #	Description	Included Items
K1	700-00001	FIRST REPLACEMENT KIT	B2
K2	700-00002	SECOND REPLACEMENT KIT	B6-B7
K3	700-00003	THIRD REPLACEMENT KIT	B1, B3-B4
K4	700-00004	FOURTH REPLACEMENT KIT	B5



B *PARTS DETAIL TABLE*

Item	Part #	Description	Qty	Remarks	Kit
1	001-00001	FIRST PART	2		K3
2	001-00002	SECOND PART	2		K1
3	001-00003	THIRD PART	2		K3
4	001-00004	FOURTH PART	1		K3
5	001-00005	FIFTH PART	2		K4
6	001-00006	SIXTH PART	8		K2
7	001-00007	SEVENTH PART	2		K2

Legend

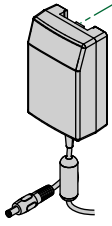
- 1 → Callout for single item
- ① --- Callout for assembly kit
- Assembly lines above components
- Assembly lines behind components
- Text in Green Highlights changes from previous revision

Table of Contents

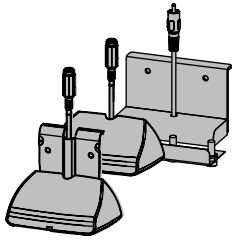
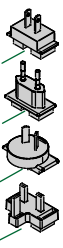
- A - Replacement Kits 2
- B - General Parts / Accessories 6
- C - Housing 8
- D - Chassis & Electrical 10
- E - Transmission 14
- F - Trolley 16
- G - ECS and C-Stat Receiving Module..... 18
- H - Curtain Gap Receiving Module 20
- Competitor and Legacy Track Profiles..... 22

A - Replacement Kits

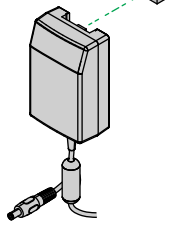
K1



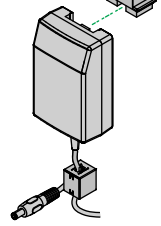
K2



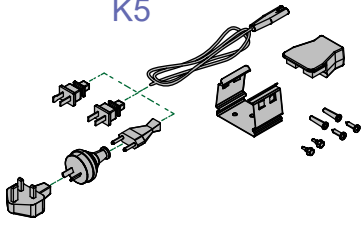
K3



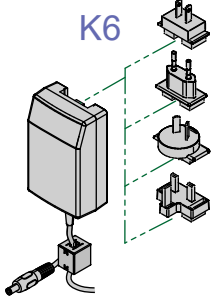
K4



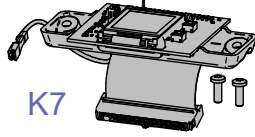
K5



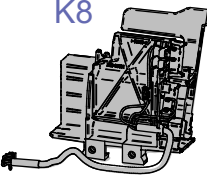
K6



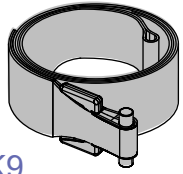
K7



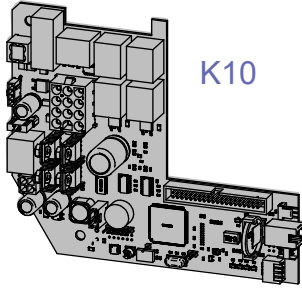
K8



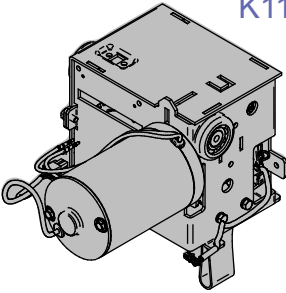
K9



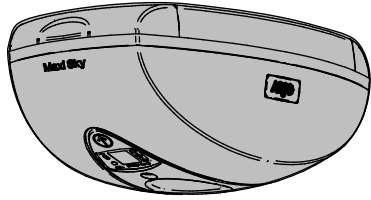
K10



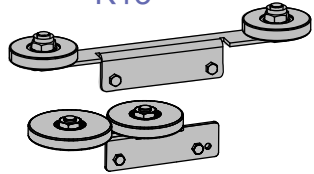
K11



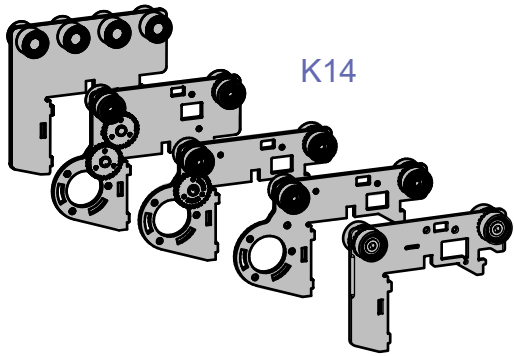
K12



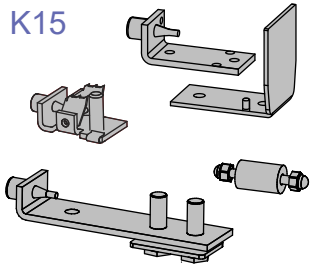
K13



K14



K15



A

REPLACEMENT KITS

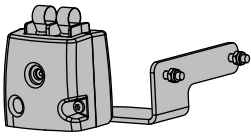
ITEM	PART No	DESCRIPTION	Included Parts
K1	700-15511	Universal Charger for KWIKtrak Track	D26-D30, D32, D34
	700-15512	Universal Charger for Other than W, L, V and KWIKTrakTrack Profiles	D26-D30, D33, D34
	700-15522-6	Charger Station for Arjo Bravo UK and Bianca	D26-D30, D34, D44
K2	700-15568	Charger - Universal - White	D26 - D30
K3	700-15561	Charger - White - UL/JP	D26, D27
K4	700-15591	BCL Universal Charger - UL / JP	D29, D43
K5	700-15551	Charger Support Kit - UL	D31, D35
	700-15552	Charger Support Kit - JP	D31, D36
	700-15555	Charger Support Kit - CE/AU/UK	D31, D37-D39
	700-15554	Charger Support Kit - CN	D31, D41
K6	700-15574	BCL Universal Charger - INT	D30-D33, D44
K7	700-15693	LCD Circuit Kit (W/O Prog) - Coated	D5, D19, D20, D24
	700-15702	LCD Circuit Kit (W/O Prog)	
	700-15720	LCD Circuit Kit (With Prog)	
	700-15741	LCD Circuit Kit (With Prog)+CC	
K8	700-15712	Limit Kit - Standard	E12
	700-01440	Limit Kit Infection Control Adapted	
K9	362-15771 ⁽¹⁾	Polyester Strap MS2 - for MSXX4 - No QC	-
	700-15703 ⁽¹⁾	Strap Replacement Kit - Polyester Strap	-
	700-15717 ⁽²⁾	Strap Infection Control Kit for MSXX5 and MSXX6	K25
K10	700-15701	Main PCB Kit - Regular	D4
	700-15692	Main PCB Kit - Coated	
K11	700-15726	Transmission Replacement Kit	E1-E20
	700-15728	Transmission Kit IC	
	700-15730	Transmission Kit Motor Brake	
	700-15732	Transmission Kit Motor Brake IC	
K12	700-15704	Cabin Kit	C1-C9
	700-15796	Cabin Kit ECS Gate	C1-C11
K13	700.14900	Wheel Guide Kit for "B" Track Profile	F13
	700.14450	Wheel Guide Kit for "A/D/E" Track Profile	F14
	700-14464	Wheel Guide Kit for "G" Track Profile	F15
K14	700-15708	Trolley for 2-Function Unit	F1
	700-15713	Trolley for 4-Function Unit	F1-F3, F10
	700-15752	Extended Trolley Conversion Kit	-
	700-15740	Trolley Extended Curtain Gap 2-Function	F1
	700-15718	Trolley for 2-Function ECS Gate Unit	F1
K15	700.05320.15	End Stopper for "M" Track Profile	See "Competitor and Legacy Track Profiles" on page 22
	A5320	End Stopper for "B" Track Profile	
	A5320-C	End Stopper for "G/T/W" Track Profile	
	700-01081	End Stopper for "V" Track Profile	
	700-01092	End Stopper for "L/Q/R/S Track Profile	
	700.11005	End Stopper for KWIKtrak & "N/P" Track Profile	
	700.11010	End Stopper for "A/D/E" Track Profile	
	700-01224	End Stopper for "W" Track Profile	

NOTES:

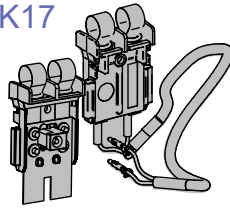
- (1) Woven Straps are not compatible with ITEM 12, 600-01440 Limit Kit - Infection Control Adapted shown on page 15
- (2) Strap Infection Control Kit for MSXX5 and MSXX6 is not compatible with ITEM 12, 600-15665 Limit Kit - Standard shown on page 15

A - Replacement Kits (continued)

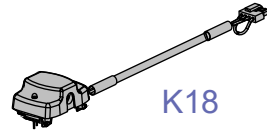
K16



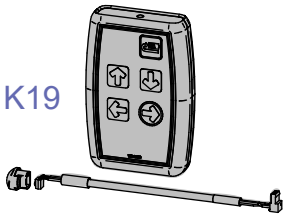
K17



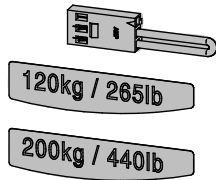
K18



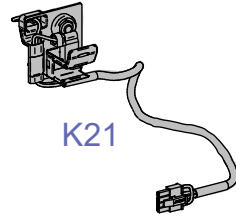
K19



K20



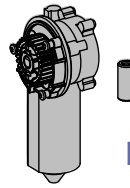
K21



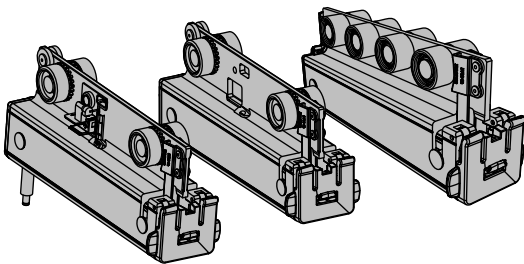
K28



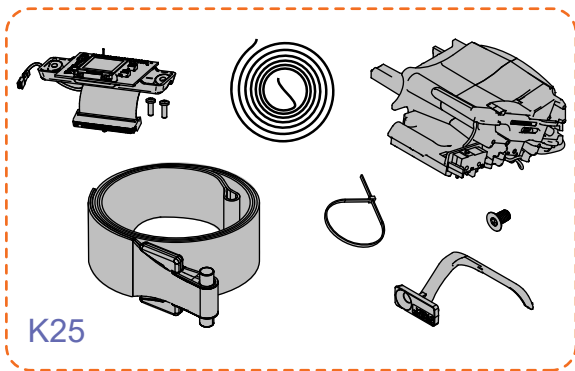
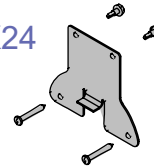
K22



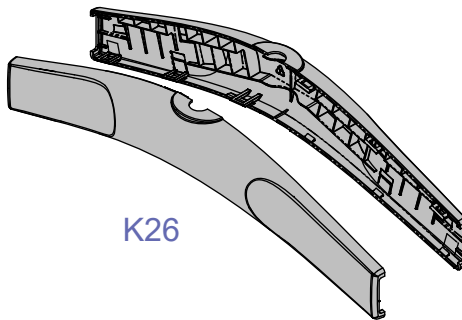
K23



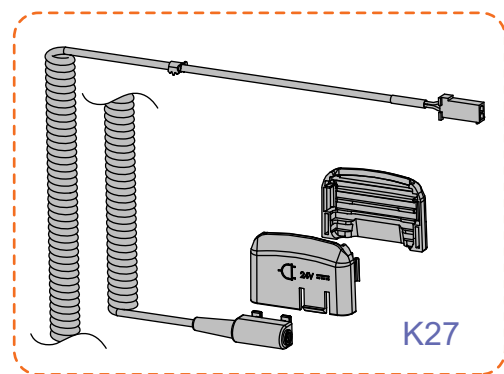
K24



K26

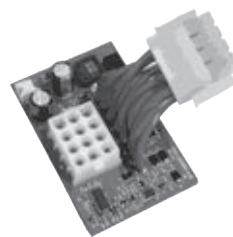


K25

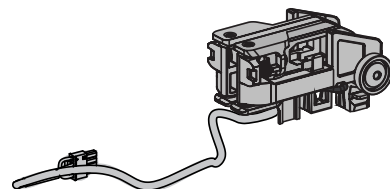


K27

K29



K30



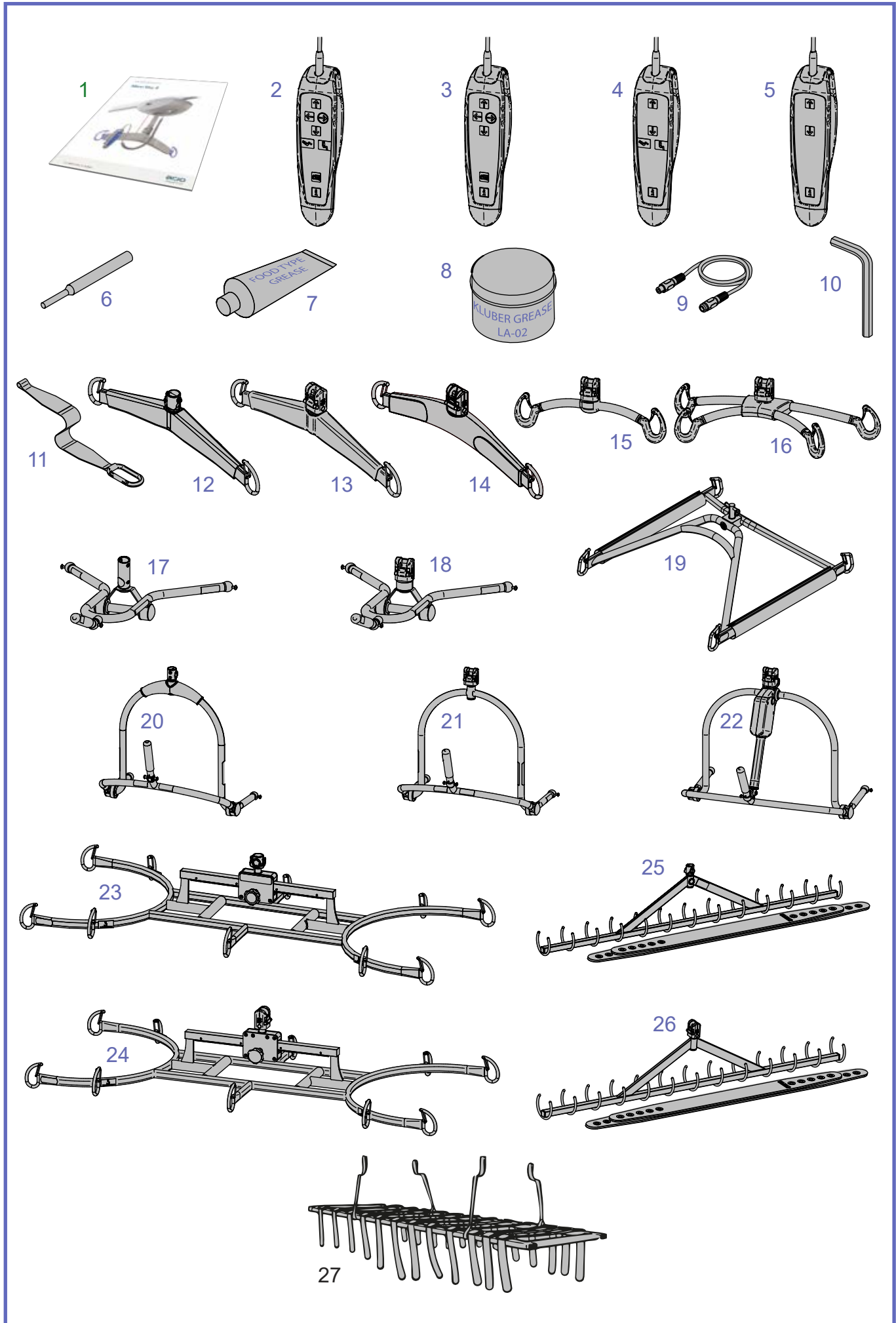
A			
REPLACEMENT KITS (CONTINUED)			
ITEM	PART No	DESCRIPTION	Included Parts
K16	700-31409	C-Stat conversion kit	-
K17	700-15706	Contact Blade Kit - Maxi Sky 2 Regular	-
	700-31410	Contact Blade Kit - Maxi Sky 2 Transportable	-
K18	700-31405	ECS conversion kit	-
K19	700-15724	Infra-Red Kit	K28
K20	700-15705	SWL Kit	C4, C5
K21	700-15707	ECS Kit	D8
K22	700-15612	L/R Motor Kit	F4 - F9
K23	700-31400-B	C-Stat receiving module replacement	-
	700-31401-B	ECS receiving module replacement	-
	700-31421-B	Curtain Gap receiving module replacement	-
	700-31400-XX ⁽³⁾	C-Stat receiving module kit	K1, K2
	700-31401-XX ⁽³⁾	ECS receiving module kit	K2
	700-31421-XX ⁽³⁾	Curtain Gap receiving module kit	K1, K2
K24	700.15565	Extended Charger Bracket Kit	Includes Hardware
K25	700-15780	Conversion Kit MS2 Infection Control	-
K26	700-19471	Kit Covers for 2 Hook Spreader Bar Infection Control	-
	700-19466		US market only
K27	700-01290	WCS cable assembly	D45 - D47
K28	700-15769	IR wire Maxi Sky 2	-
K29	700-01100	MS2 Brake Board Kit	D25
K30	700-15750	MS2 ECS Gate contact kit	D26

NOTES:

(3) Where "XX" corresponds to country code:

- 01 = United States & Canada (US/CA)
- 08 = United Kingdom (UK)
- 22 = Australia (AU)
- 98 = Europe (EU)

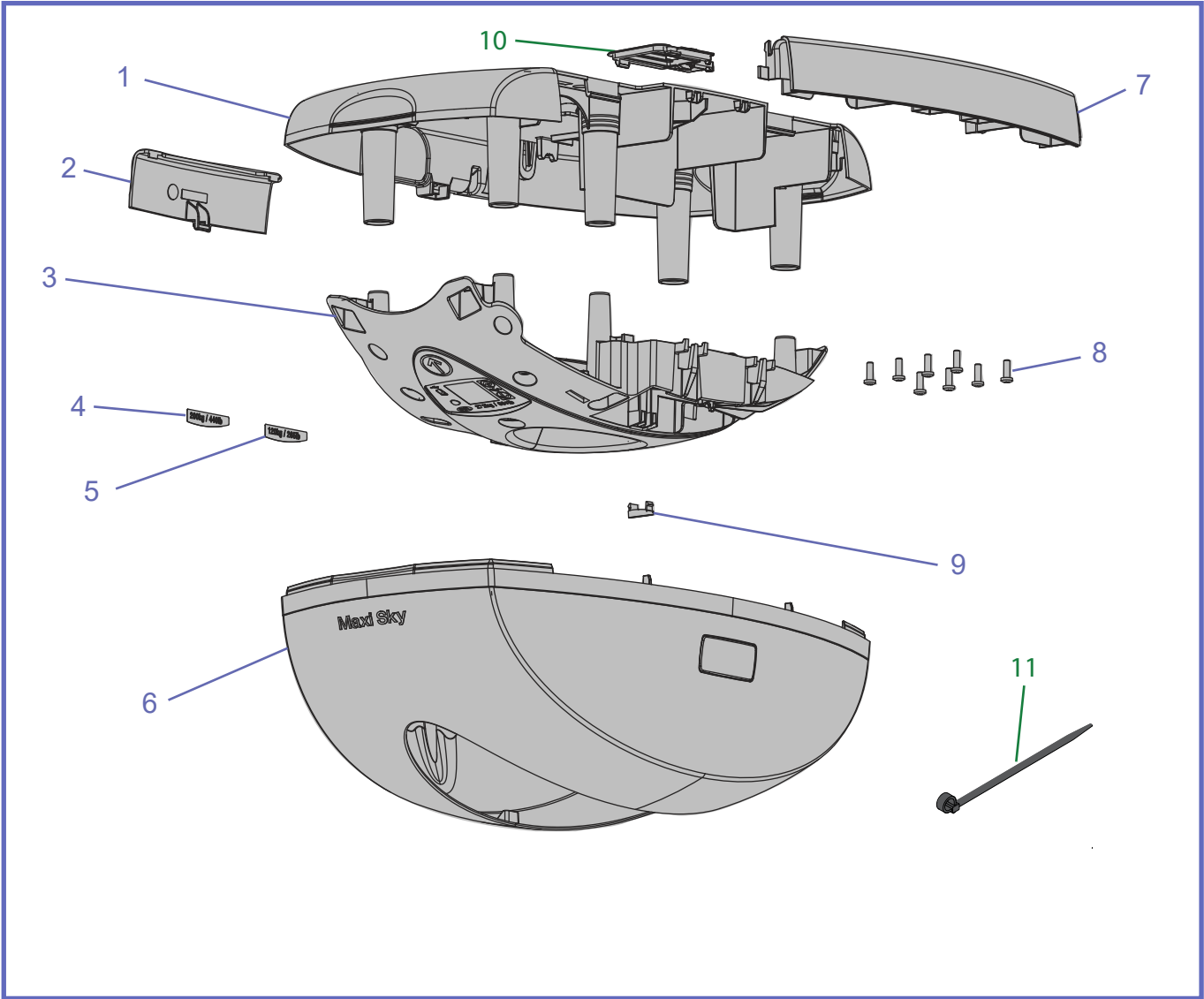
B - General Parts / Accessories



B**GENERAL PARTS / ACCESSORIES**

ITEM	PART No	DESCRIPTION	QTY	REMARKS	KIT
1	001-15698-XX	Maxi Sky 2 Instructions for Use	1		
	001-15085-ZH-EN	Maxi Sky 2 IFU Booklet	1	China market only	
	001-15773-ZH-t	Maxi Sky 2 IFU Abstract	1	Taiwan market only	
2	700-13841-B	Hand Control for 4-Function Unit w DPS	1		
3	700-13842-B	Hand Control for 4-Function Unit	1		
4	700-13861-B	Hand Control for 2-Function Unit w DPS	1		
5	700-13862-B	Hand Control for 2-Function Unit	1		
6	005.00374	Connector Pin Extractor	1		
7	P8180	Grease Lubriplate FGL-1	1		
8	P8190	Kluber Grease LA-02	1		
9	402.15507	Cable Adaptor RCA(F) - DC2.5(F)	1	Used to connect charger with charging stations featuring a RCA connector	
10	000.03975	8 mm Short Allen Key	1		
11	700-14030	1-Meter Coated Strap Extension	1		
12	700-05461-BOX	2-Hook Spreader bar M no QC	1		
13	700-19415	2-Hook Spreader Bar M QC	1		
	700-19435			US market only	
14	700-19470	2-Hook Spreader Bar M QC Infection Control	1		
	700-19465			US market only	
15	700-19420	2-Hook Spreader Bar S QC	1		
16	700-19430	4-Hook Spreader Bar QC	1		
17	700-19200	DPS Manual 4-Point Clip Flat no QC	1		
18	700-19475	DPS Manual 4-Point Clip Flat QC	1		
19	700-05443	4_Hook Spreader Bar no QC	1		
20	700-19340-BOX	DPS Manual 4-Point Clip Open no QC	1		
21	700-19480	DPS Manual 4-Point Clip Open QC	1		
22	700-19350	PDPS 4-Point Clip Open M QC	1		
	700-19355	PDPS 4-Point Clip Open L QC			
23	700-19522	Stretcher Frame no QC	1		
24	700-15695	Stretcher Frame QC	1		
25	700.05380	Morgue Stretcher - Regular Bands no QC	1		
	700.05385	Morgue Stretcher - Large Bands no QC			
26	700-05382	Morgue Stretcher - Regular Bands QC	1		
	700-05387	Morgue Stretcher - Large Bands QC			
27	700-14945	Arjo Strap Stretcher	1		

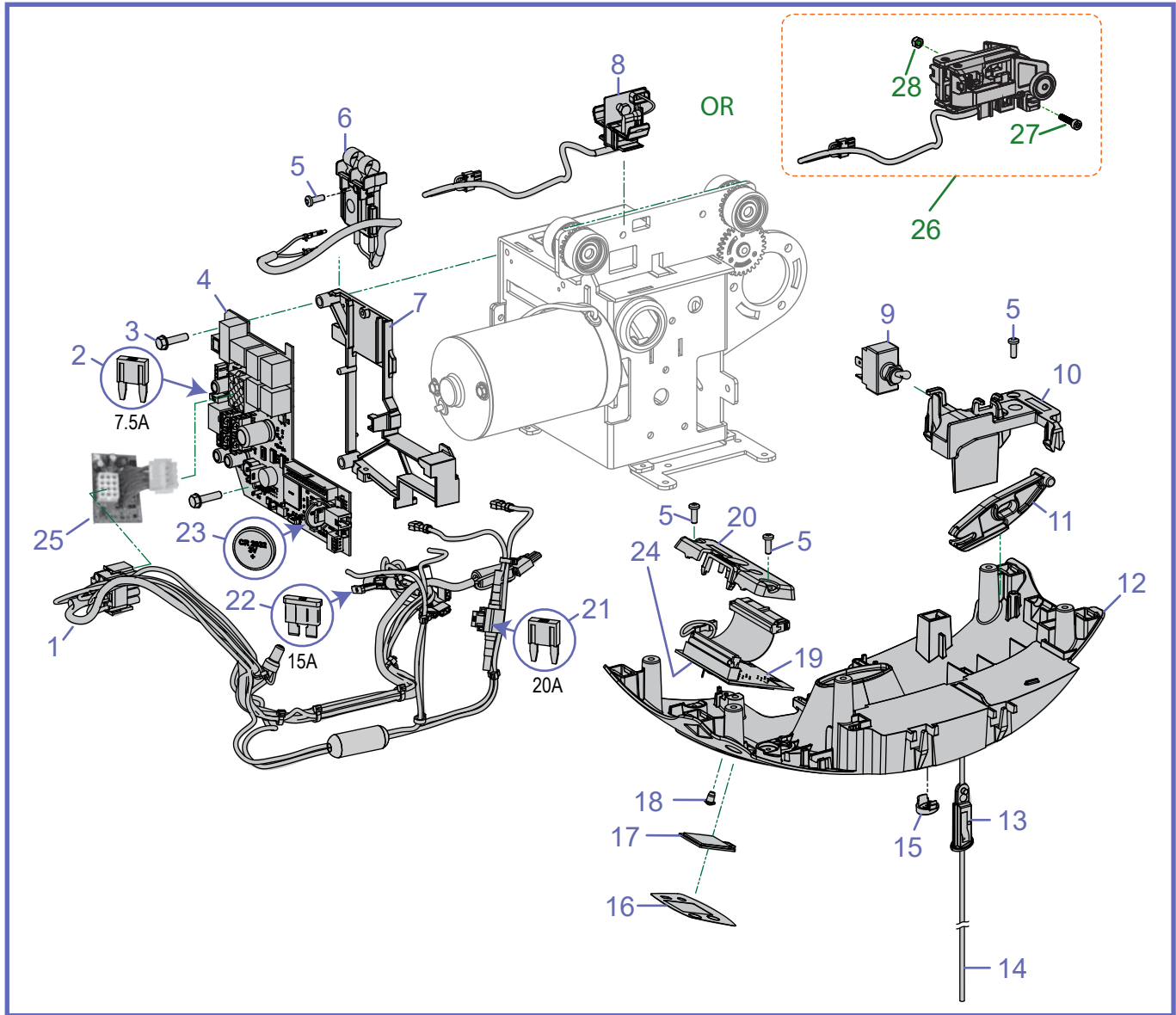
C - Housing



C**Housing**

ITEM	PART No	DESCRIPTION	QTY	REMARKS	KIT
1	200-15624	Top Cabin	1		
	250-15795	Top Cabin ECS Gate	1	For MSX3X-XX-XX	K12
2	200-15625	Tool Door	1		
3	600-15711	Bottom Cabin	1		K12
4	001-15639	200 kg SWL Sticker	1		K20
5	001-15638	120 kg SWL Sticker	1		K20
6	600-15642	Cover Assy	1		K12
7	200-15626	Battery Door	1		
8	000.02480	Tap Screw Plastite 4.0 X 12	8		
9	200-15636	Grommet Plug	1		
10	200-15799	Deflector 'U' Chassis	1	For MSX3X-XX-XX	
11	E0280	Tie Wrap 1/8 x 4"	1	For MSX3X-XX-XX	

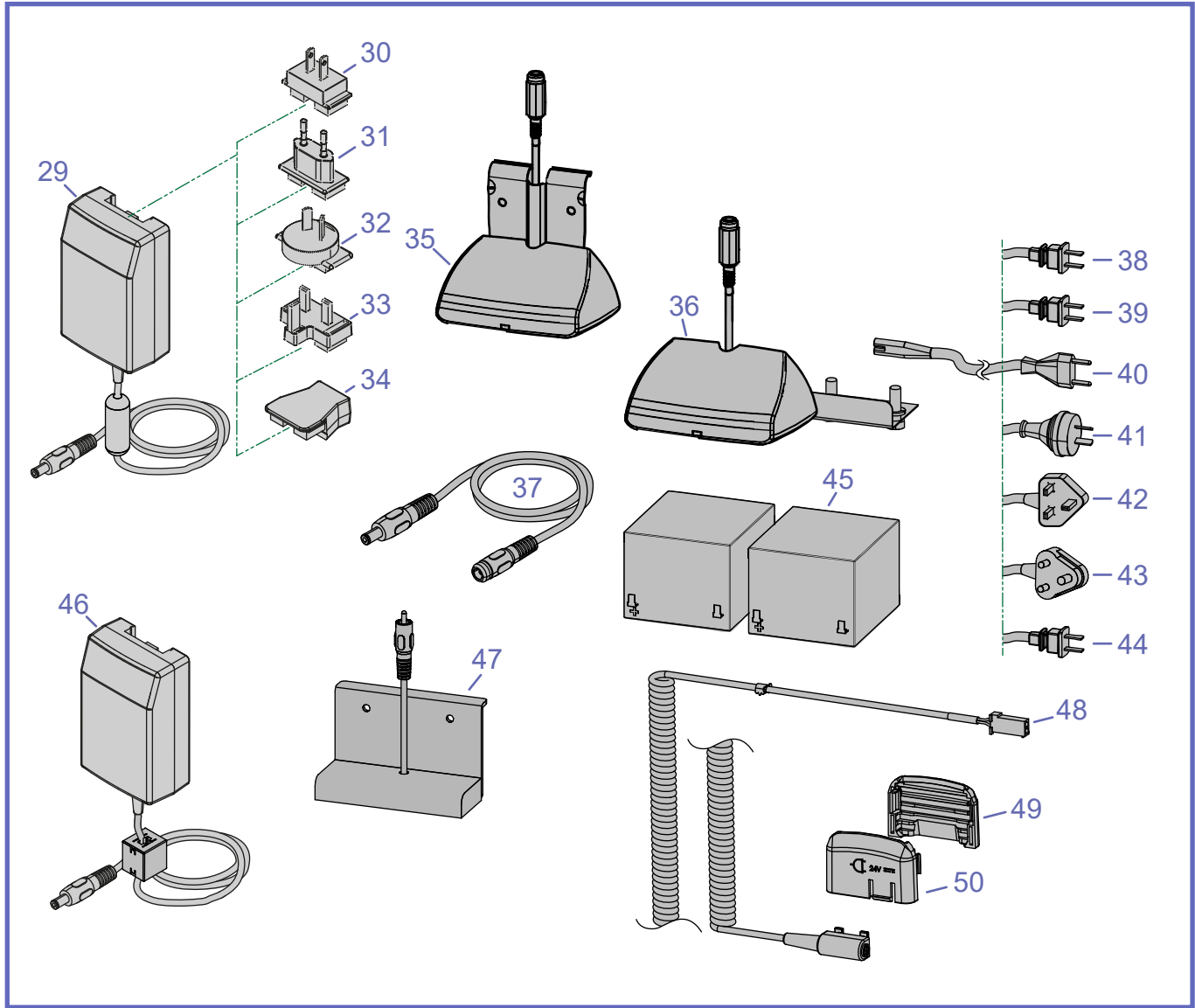
D - Chassis & Electrical



D**CHASSIS & ELECTRICAL**

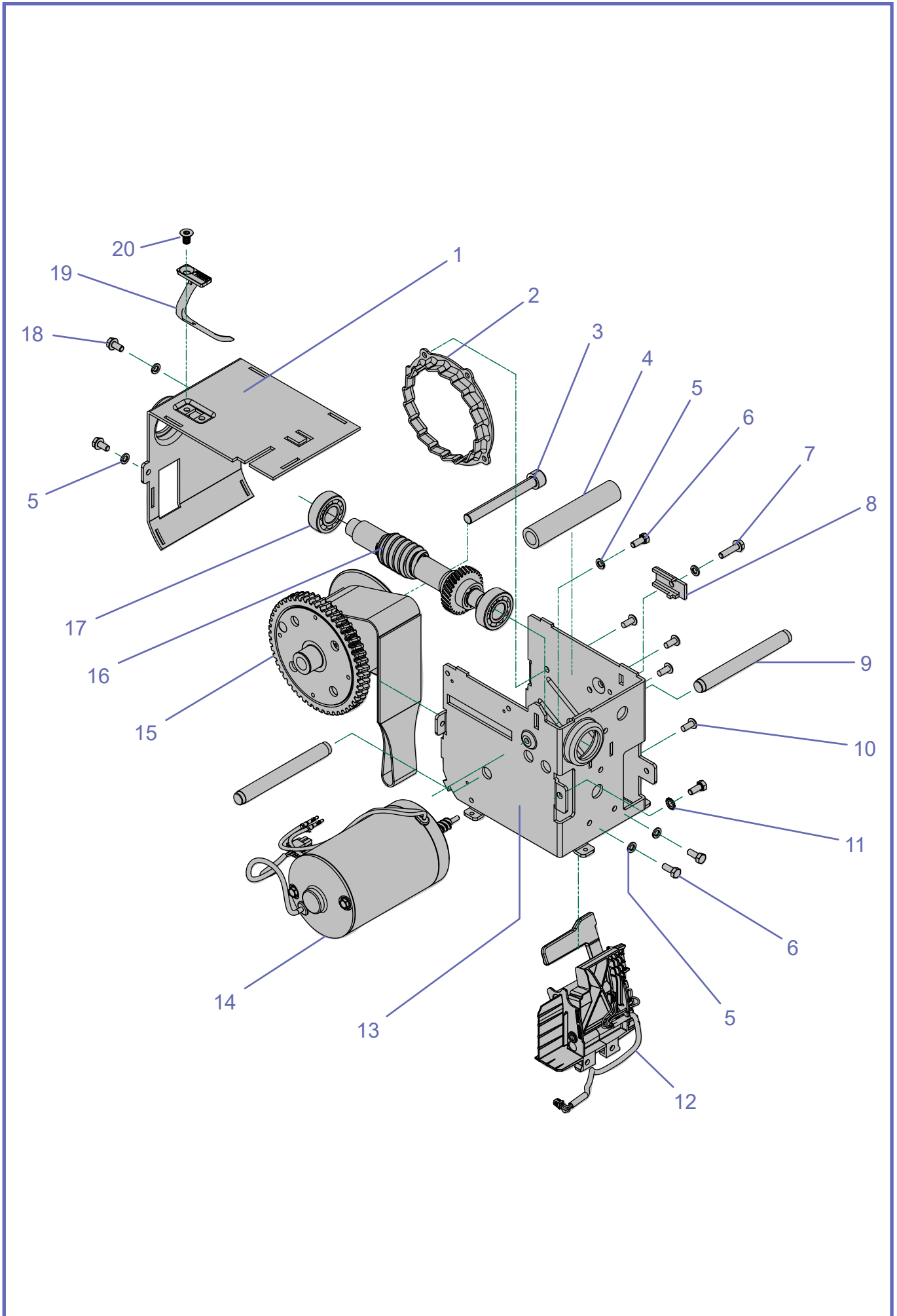
ITEM	PART No	DESCRIPTION	QTY	REMARKS	KIT
1	700-01266	Wire Harness MS-2	1		
	700-01300	Wire Harness MS2 WCS + Ferrite	1	For MS2 WCS only	
2	480-00004	Fuse Mini 32V 7.5A	1		
3	000.02590	Screw M5 X 20 Taptite	2		
4	492-00083	PCBA Motor Control MS-2	1		K10
5	000.02480	Tap Screw Plastite 4.0 X 12	4		
6	600-15679	Contact Blade Kit	1		K17
7	200-15649	MS-2 PCB Support	1		
8	700-15707	MS-2 ECS Kit	1	Not compatible with MSX3X-XX-XX	
9	460.00061	SW Toggle DPST 15A	1		
10	200-15633	Toggle Switch Support	1		
11	200-15632	Rocking Arm ToggleV	1		
12	200-15629	Strap Inlet	1		
13	200-15631	Drawer Stop	1		
14	000-01345	Red Silicone Cord 26" Long	1		
	000-01159	Red Silicone Cord	-	Order by foot increments	
15	200-15636	Grommet Plug	1		
16	001-15637	Display Sticker SWL 272 Kg	1		K12
17	200-15667	LCD Screen Cover	1		K12
18	200-15651	LED Lens	1		K12
19	492-00082	PCBA LCD MS-2	1		K7
20	200-15646	Screen Support	1		
21	480-00062	Fuse Mini 32V 20A	1		
22	480.00115	Fuse ATO 15A	1		
23	403.02032	Battery 3V Lithium CR2032	1		
24	200-15739	LCD Positionning Frame	1		K7
25	700-01100	MS2 Brake Board Kit	1		K29
26	700-15750	MS2 ECS Gate Contact Kit	1	For MSX3X-XX-XX	K30
27	000-15748	Screw M3 0.5 x 14 Socket ZP	1	For MSX3X-XX-XX	
28	000.02420	M3 Zinc Locknut	1	For MSX3X-XX-XX	

D - Chassis & Electrical (continued)



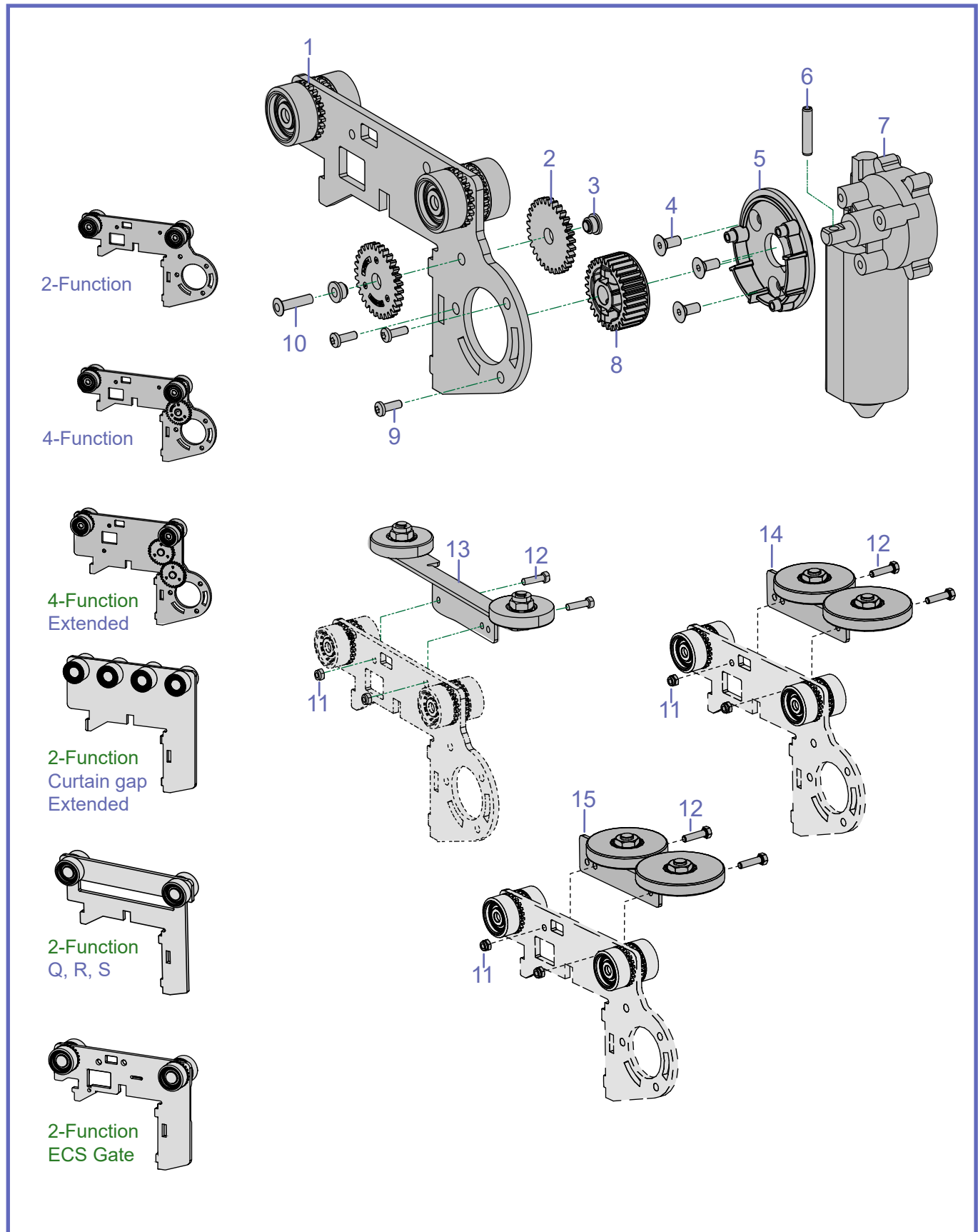
D CHASSIS & ELECTRICAL (CONTINUED)					
ITEM	PART No	DESCRIPTION	QTY	REMARKS	KIT
29	700-15567-B	Universal Charger	1		
30	200-15561	Primary adaptor - UL/JP	1		
31	200-15563	Primary adaptor - CE	1		
32	200-15564	Primary adaptor - AU	1		
33	200-15565	Primary adaptor - UK	1		
34	200-15569	Primary adaptor - IEC	1	For use with appropriate power cord (items 38-44)	
35	700-15522-0	KWIKtrak Charge Station 2.5 DC	1		K1
36	700-15522-1	Charge Station 2.5 DC Other Tracks	1		K1
37	402.15508	Charger Extension 2.5 DC	1		
38	402-10001	Power Cable White Class 2 (UL)	1		
39	402-10002	Power Cable White Class 2 (JP)	1		
40	402-10003	Power Cable White Class 2 (CE)	1		
	402.00014	Power Cable Black Class 2 (Israel)			
	402-00135	Power Cable Black Class 2 (Korea)			
41	402-10004	Power Cable White Class 2 (AU)	1		
42	402-10005	Power Cable White Class 2 (UK)	1		
43	402-00134	Power Cable White Class 2 (S. Africa)	1		
44	HMX1474	Power Cable Black CCC (China)	1		
45	403.10500	12V 5AH Batteries	1	It is strongly suggested to order in pairs	
46	700-15562	BCL Universal Charger	1		
47	700-15522-6	Charger Station for Arjo Bravo UK and Bianca	1		K1
48	402-01297	WCS Cable	1		K27
49	200-01296	WCS Back Cover	1		K27
50	200-01295	WSC Front Cover	1		K27

E - Transmission



E		TRANSMISSION			
ITEM	PART No	DESCRIPTION	QTY	REMARKS	KIT
1	200-15731	L Shape Frame Machined	1		K11
2	203-15618	Disk With Teeth Emergency Brake	1		K11
3	000-03766	Screw M8 X 70 Soc Zp	1		K11
4	200.14060	Strap Roller	1		
5	000.02900	Lock Washer M5 Zinc	6		
6	000.02550	Screw M5 X 12 Hex Zinc	4		
7	000.02590	Screw M5 X 20 Taptite	1		
8	203.14030	Lock Trolley	1		
9	203.14050	Shaft 12mm	2		
10	010.00899	Rivet 3/16 1/8-1/4 Stainless	4		
11	000.02915	Star Washer M5 Zinc	1		
12	600-15665	Limit Kit - Standard	1	Not compatible with 700-15717 coated strap kit	K8, K11
	600-01440	Limit Kit - Infection Control Adapted	1	Not compatible with woven straps 362-15670 and 362-15771 nor 700-15703 replacement kit	K8, K11
13	200-15730	U Shape Frame Machined	1		K11
14	400-14005	Vertical Motor With Encoder	1		K11
	400-01178	Vertical motor with SMA Brake			
15	600-15671	Drum Assembly	1		K11
16	600-15684	Transmission Shaft 12DP Assembly	1		K11
17	000-04985	Bearing Self-Align 15 X 35 X 11	2		K11
18	000.02562	Screw M5 X 10 Taptite	2		
19	200-19152	Worm Gear Protector	1		K11
20	000-01198	Screw M6 X 10 Taptite Flat Sock	1		

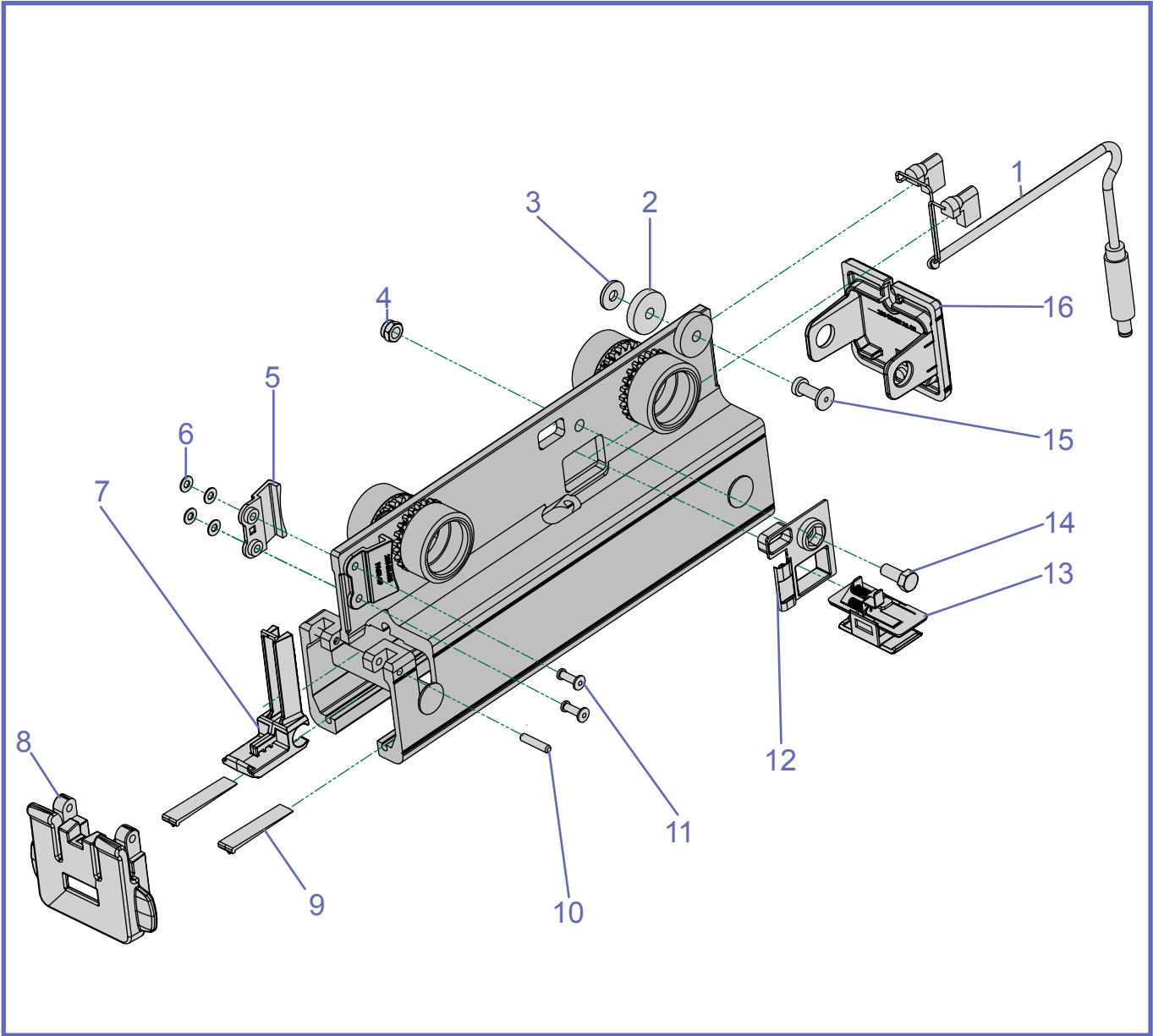
F - Trolley



F		TROLLEY			
ITEM	PART No	DESCRIPTION	QTY	REMARKS	KIT
1	600-15605	Trolley "KWIKtrak/B/M/N/P" track profile	1	Note (1)	K14
	600-15702	Trolley "L-V-W" track profile			
	600-15703	Trolley "G" track profile		Note (1) Requires Item 11-13	
	600-15704	Trolley "T" track profile			
	600-15740	Trolley Extended Curtain gap 2 F			
	600-15749	Trolley "Q/R/S" track profile.			
	600-15709	Trolley ECS Gate			
2	200-15603	30 teeth idler gear	2		K14
3	203-15691	Bushing idler	2		K14
4	000-02570	Screw M5 X 12 flat socket ZP ADH	3		K22
5	200-15610	Support L/R motor	1		K22
6	000.02600	Spring pin 5 X 26 zinc	1		K22
7	400-24010	L/R motor	1		K22
8	200-15604	Motor gear 29 teeth	1		K22
9	000.02480	Tap screw plastite 4.0 X 12	3		K22
10	010-00920	Pop rivet ø4.8 11-15 stainless	1		K14
11	000.02800	Locknut M5 Zinc	2		
12	000.02575	Screw M5 Zinc	2		
13	700.14900	Wheel guide for "B" track profile	1		K13
14	700.14450	Wheel guide for "A - D - E" track profile	1		K13
15	700-14464	Wheel guide for "G" track profile	1		K13

(1) Kit K13 is required when installing lift onto a "B" an "G" track profiles systems.

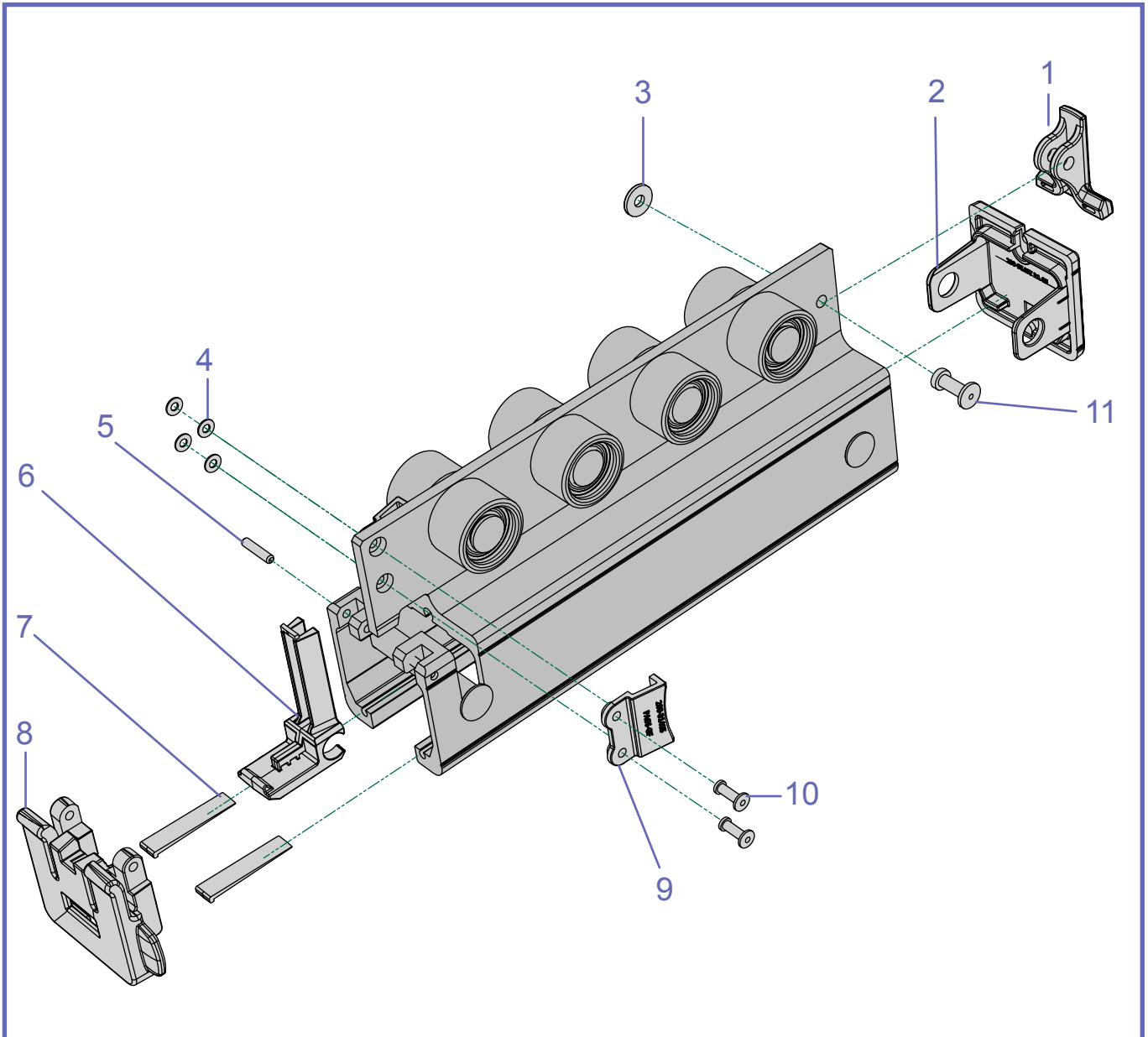
G - ECS and C-Stat Receiving Module



G**box ECS AND C-STAT RECEIVING MODULE**

ITEM	PART No	DESCRIPTION	QTY	REMARKS	KIT
1	402-31403	ECS cable Transportable Receiving Module	1	For ECS version only	
2	000-31418	Flat washer nylon 3/16ID 3/4OD 5/32T	2		
3	000.00168	Flat washer 3/16 X 1/2 X 1/16	1		
4	000.02800	Locknut, M5 zinc	1	For ECS version only	
5	200-31405	Vertical guide Transportable Receiving Module	2		
6	000.02405	Flat washer	4		
7	200-31406	Slider Transportable Receiving Module	1		
8	200-31408	Door Receiving Module	1	Transportable	
9	200-31417	Wedge Transportable Receiving Module	2		
10	000-31422	Spring pin 3 X 16mm	2		
11	000.00887	Rivet 1/8 5/16-3/8 Alum	2		
12	200.07661	Guide box trolley ECS	1	For ECS version only	
13	G700-07650	Contact box assy ECS	1	For ECS version only	
14	000.02550	Screw M5 X 12 HEX	1	For ECS version only	
15	000-31424	Rivet 3/16 1/2-5/8 Alum	1		
16	200-31407	End cover Transportable Receiving Module	1		

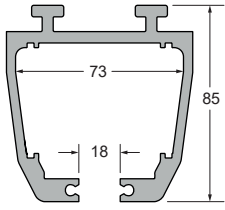
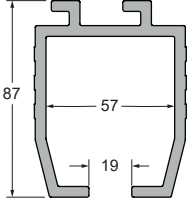
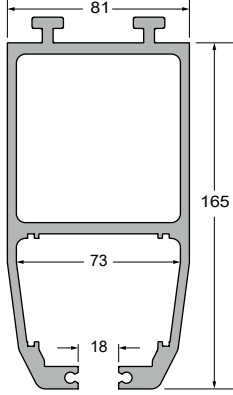
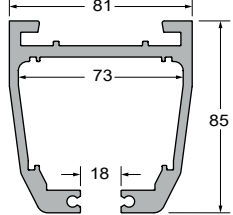
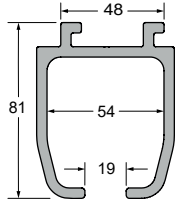
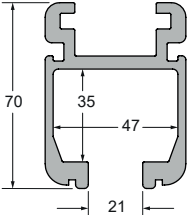
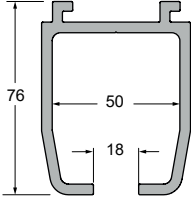
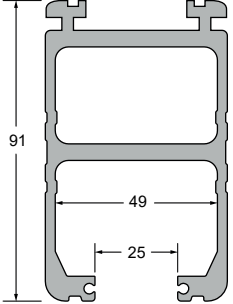
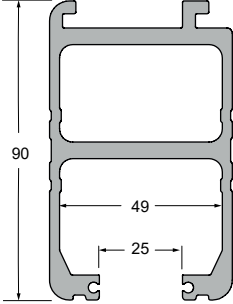
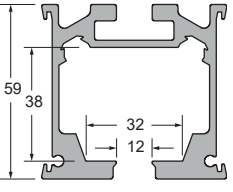
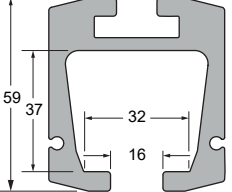
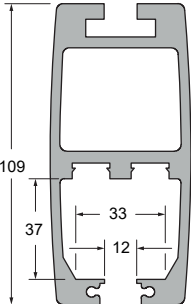
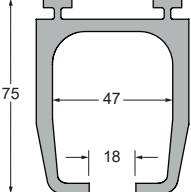
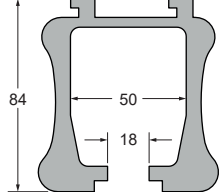
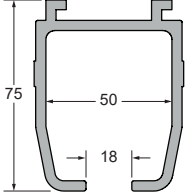
H - Curtain Gap Receiving Module



H**CURTAIN GAP RECEIVING MODULE**

ITEM	PART No	DESCRIPTION	QTY	REMARKS	KIT
1	200-31426	Counter support Curtain Gap Maxi Sky 2 Transportable	1		
2	200-31407	End cover Transportable Receiving Module	1		
3	000.00168	Flat washer 3/16 X 1/2 X 1/16	1		
4	000.02405	Flat washer M3 zinc	4		
5	000-31422	Spring pin 3 X 16mm	2		
6	200-31406	Slider Transportable Receiving Module	1		
7	200-31417	Wedge Transportable Receiving Module	2		
8	200-31408	Door Transportable Receiving Module	1		
9	200-31405	Vert. guide Transportable Receiving Module	2		
10	000.00887	Rivet 1/8 5/16-3/8 Alum	2		
11	000-31424	Rivet 3/16 1/2-5/8 Alum	1		

Competitor and Legacy Track Profiles

 <p>A - Profile</p>	 <p>B - Profile</p>	 <p>D - Profile</p>	 <p>E - Profile</p>	 <p>G - Profile</p>
 <p>L - Profile</p>	 <p>M - Profile</p>	 <p>N - Profile</p>	 <p>P - Profile</p>	
 <p>Q - Profile</p>	 <p>R - Profile</p>	 <p>S - Profile</p>	 <p>T - Profile</p>	 <p>V - Profile</p>
 <p>W - Profile</p>				

Intentionally left blank

At Arjo, we are committed to improving the everyday lives of people affected by reduced mobility and age-related health challenges. With products and solutions that ensure ergonomic patient handling, personal hygiene, disinfection, diagnostics, and the effective prevention of pressure ulcers and venous thromboembolism, we help professionals across care environments to continually raise the standard of safe and dignified care. Everything we do, we do with people in mind.



ArjoHuntleigh AB
Hans Michelsensgatan 10
211 20 Malmö, Sweden
www.arjo.com

arjo