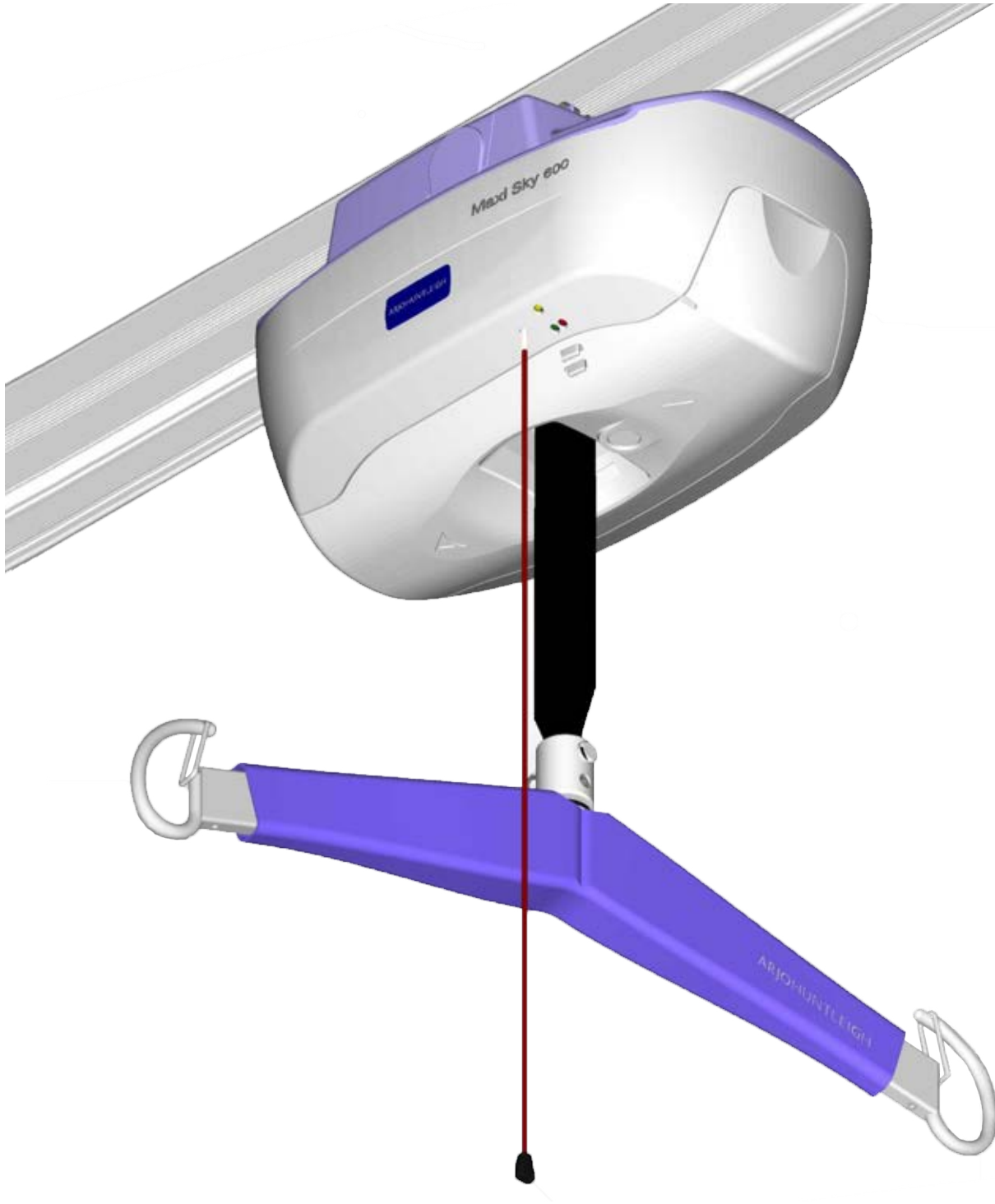


Maxi Sky 600

Maxi Sky 600 ECS



Design Policy and Copyright

® and ™ are trademarks belonging to the Arjo group of companies.

© Arjo 2019.

As our policy is one of continuous improvement, we reserve the right to modify designs without prior notice.

The content of this publication may not be copied either whole or in part without the consent of Arjo.

General Information

Before ordering spare parts, study the exploded view closely and make sure that you are familiar with all the spare parts involved.

Before contacting the Arjo Parts Sales department, always have the following information at hand:

- Correct name of the product (see Product Identification Label below).
- The serial number of the product (see Product Identification Label below).

Product Identification Label

Manufacturer information and manufacturing date
ArjoHuntleigh AB - Hans Michelsensgatan 10 - 211 20 Malmö - SWEDEN
2019-04 Made in Canada

Product Number
REF LDXXXXX MAXI SKY 600

Serial Number
SN XXXXXXXXX

DUTY CYCLE: 10% (10 min/1 hour) - 15 min continuous
RATING: 15A Max. - IP21
MAX. LOAD: 272kg

001.02227 REV. 12
184445

Product Number Nomenclature

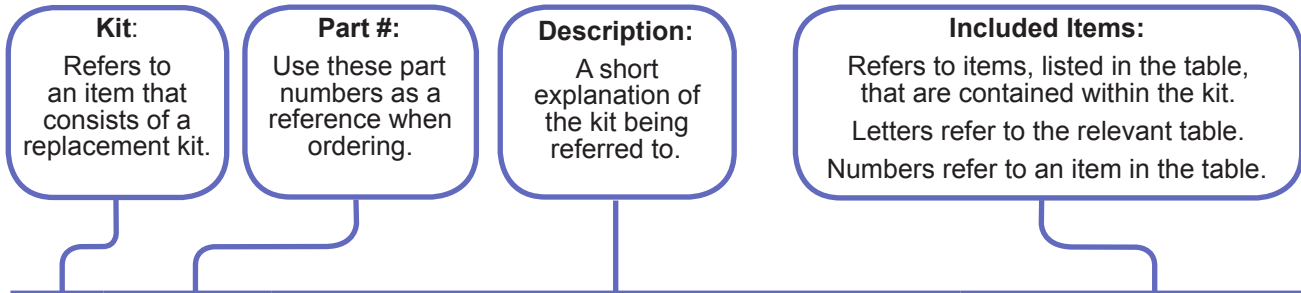
LDXXX

- INTERNAL FUNCTION:
0 - 4 FUNCTION
1 - 4-FUNCTION W INFRARED OPTION
2 - 2-FUNCTION
3 - 2-FUNCTION W ECS OPTION
4 - 4 FUNCTION W ECS OPTION
- RAIL SYSTEM COMPATIBILITY
0 - KWIKTRAK
B - BHM
M - M PROFILE
P - P PROFILE
W - W PROFILE
T - T PROFILE
- UNIT CAPACITY
0 - 200Kg (440lb)
1 - 272Kg (600lb)
2 - 130Kg (286lb)

FOR DETAILS ON RAIL PROFILES, REFER TO DOCUMENT No. 001-14250

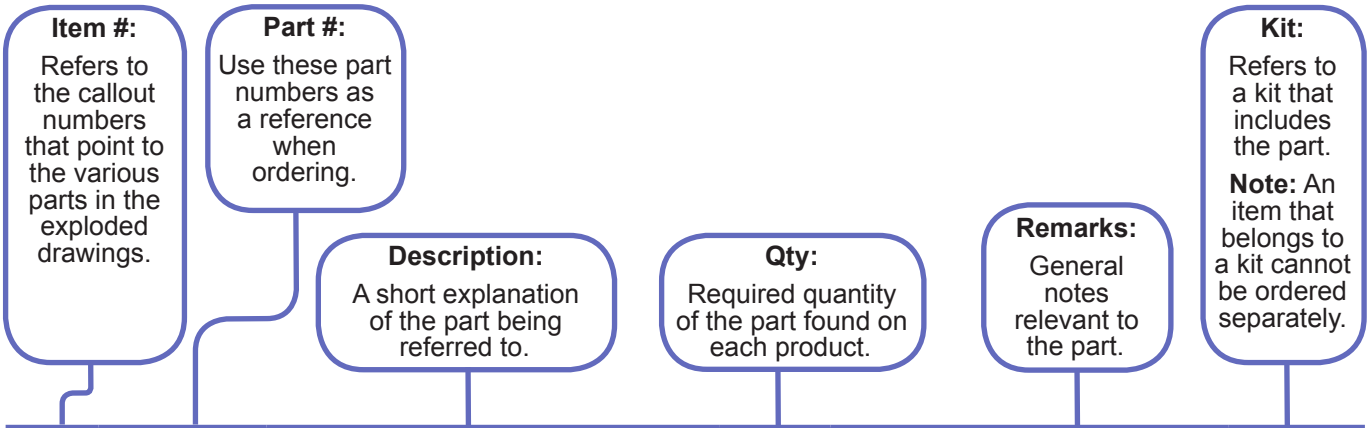
Modifications made to the equipment without Arjo's express acknowledgement will invalidate supplier's product liability.

How to Read Parts List Tables



A *REPLACEMENT KITS TABLE*

| Item | Part # | Description | Included Items |
|------|-----------|------------------------|----------------|
| K1 | 700-00001 | FIRST REPLACEMENT KIT | B2 |
| K2 | 700-00002 | SECOND REPLACEMENT KIT | B6-B7 |
| K3 | 700-00003 | THIRD REPLACEMENT KIT | B1, B3-B4 |
| K4 | 700-00004 | FOURTH REPLACEMENT KIT | B5 |



B *PARTS DETAIL TABLE*

| Item | Part # | Description | Qty | Remarks | Kit |
|------|-----------|--------------|-----|---------|-----|
| 1 | 001-00001 | FIRST PART | 2 | | K3 |
| 2 | 001-00002 | SECOND PART | 2 | | K1 |
| 3 | 001-00003 | THIRD PART | 2 | | K3 |
| 4 | 001-00004 | FOURTH PART | 1 | | K3 |
| 5 | 001-00005 | FIFTH PART | 2 | | K4 |
| 6 | 001-00006 | SIXTH PART | 8 | | K2 |
| 7 | 001-00007 | SEVENTH PART | 2 | | K2 |

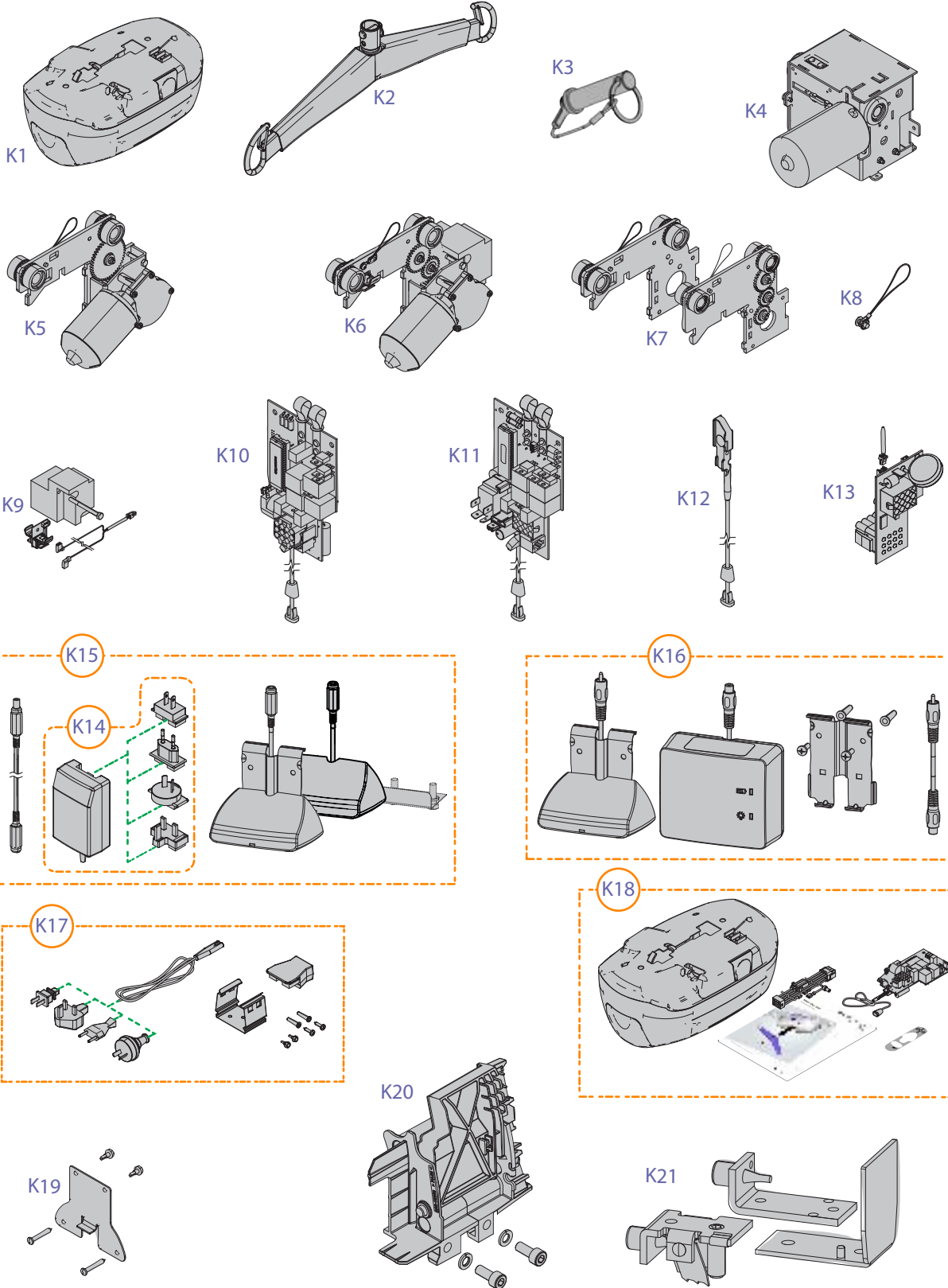
Legend

- Callout for single item
- Callout for assembly kit
- Assembly lines above components
- Assembly lines behind components
- Text in Green Highlights changes from previous revision

Table of Contents

- A - Replacement Kits 2
- B - General Parts / Accessories 4
- C - Housing 6
- D - Transmission 8
- E - Trolley 10
- F - Electrical Parts / ECS 12
- Other Tracks 13

A - Replacement Kits

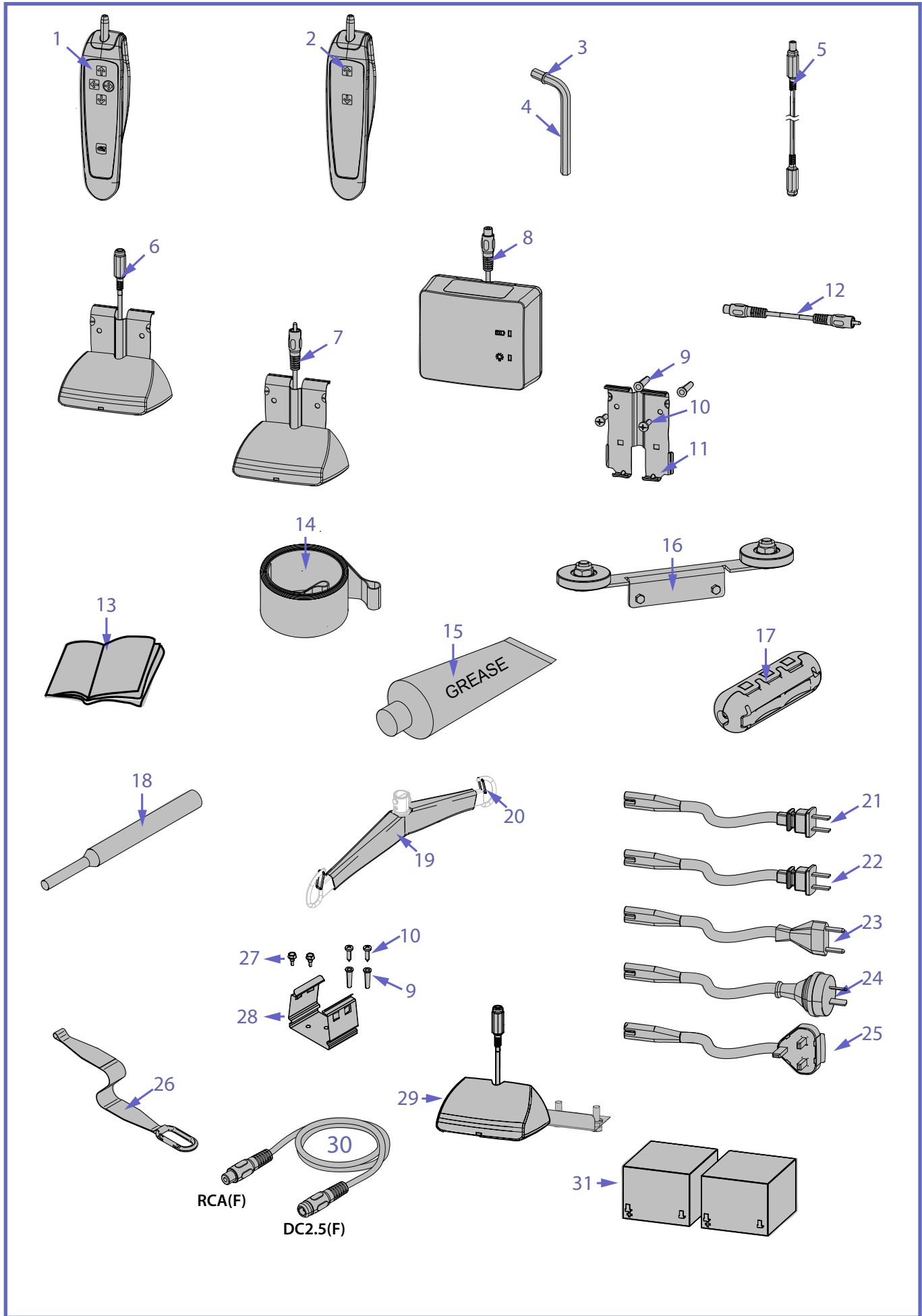


| A | | | | REPLACEMENT KITS | |
|-------------|----------------|---------------------------------------------------|------------------------------------------------------------------------|-------------------------|--|
| ITEM | PART No | DESCRIPTION | Included Parts | | |
| K1 | 700.14500.33 | Complete housing assembly | C1, C3 (QTY 4), C5 - C12 | | |
| K2 | 700-05461-BOX | Spreader bar with logo | - | | |
| K3 | 600-00905 | Clevis Pin & Split Ring | - | | |
| K4 | 700.14510 | Transmission Replacement kit | D1 - D24 | | |
| K5 | 700-14026 | 4-FB KWIKtrak, "B/M/P" track profile trolley* (1) | E1-E15 | | |
| | 700.14045 | 4-FB W or T rail profile trolley | E1-E15 | | |
| K6 | 700-14051 | 4-FB ECS KWIKtrak trolley | E1-E13, E15, E18-E21 | | |
| K7 | 700-14021 | 2-FB KWIKtrak, "B/M/P" track profile trolley* (1) | E1-E6 | | |
| | 700.14040 | 2-FB W or T rail profile trolley | E1-E6 | | |
| | 700-14066 | Extended KWIKtrak Trolley | See exploded view E for details | | |
| K8 | 700.14015 | Anti-static Kit | E1-E5 | | |
| K9 | 700-07655 | Weight MS600 ECS upgrade Kit | E3, E16-E17, E20-E21, F20 (to be used solely with 4-function units) | | |
| K10 | 492-00035-7-B | Main board (SN < 60096) | F1-F2, F4-F5 | | |
| K11 | 499-02072-B | Main board (SN > 60095 or ECS option) | F5, F12-F15, F19 (F10-F11 only with ECS option) | | |
| K12 | 700-01343 | Emergency Stop Cord Assembly | F5 - F7, F15 | | |
| K13 | 700-01079 | Brake Board Kit | F28, F29 | | |
| K14 | 700-15568 | Charger 2.5DC - Universal | F22 - F26 | | |
| | 700-15561 | Charger 2.5DC - UL/JP | F22, F23 | | |
| K15 | 700-15511 | Charger Kit - Universal - KWIKtrak | B5, B6, F22 - F26 | | |
| | 700-15512 | Charger Kit - Universal - Other Track | B5, B29, F22 - F26 | | |
| K16 | 700.15500 | KWIKtrak charger Kit | No longer available. Replace with 700-15511 or 700-15512 (K15) | | |
| K17 | 700-15551 | Charger Support Kit - UL | B9, B10, B21, B27, B28, F27 | | |
| | 700-15552 | Charger Support Kit - JP | B9, B10, B22, B27, B28, F27 | | |
| | 700-15555 | Charger Support Kit - CE/AU/UK | B9, B10, B23 - B25, B27, B28, F27 | | |
| K18 | 700-14001 | Conversion Kit for PCB version 72 | K1, K11, B13, F21 | | |
| K19 | 700.15565 | Extended Charger Bracket Kit | Includes Hardware | | |
| K20 | 700-14075 | High Limit Switch Kit | D7, D14, D15 | | |
| K21 | 700.05320.15 | End Stopper for "M" Track Profile* | - | | |
| | A5320 | End Stopper for "B" Track Profile* | | | |
| | A5320-C | End Stopper for "T/W" Track Profile* | | | |
| | 700.11005 | End Stopper for KWIKtrak & "P" Track Profile* | | | |

(1) Item B16 is required for B Track profile

*See "Other Tracks" on page 13

B - General Parts / Accessories



001.14153.33 Rev.13

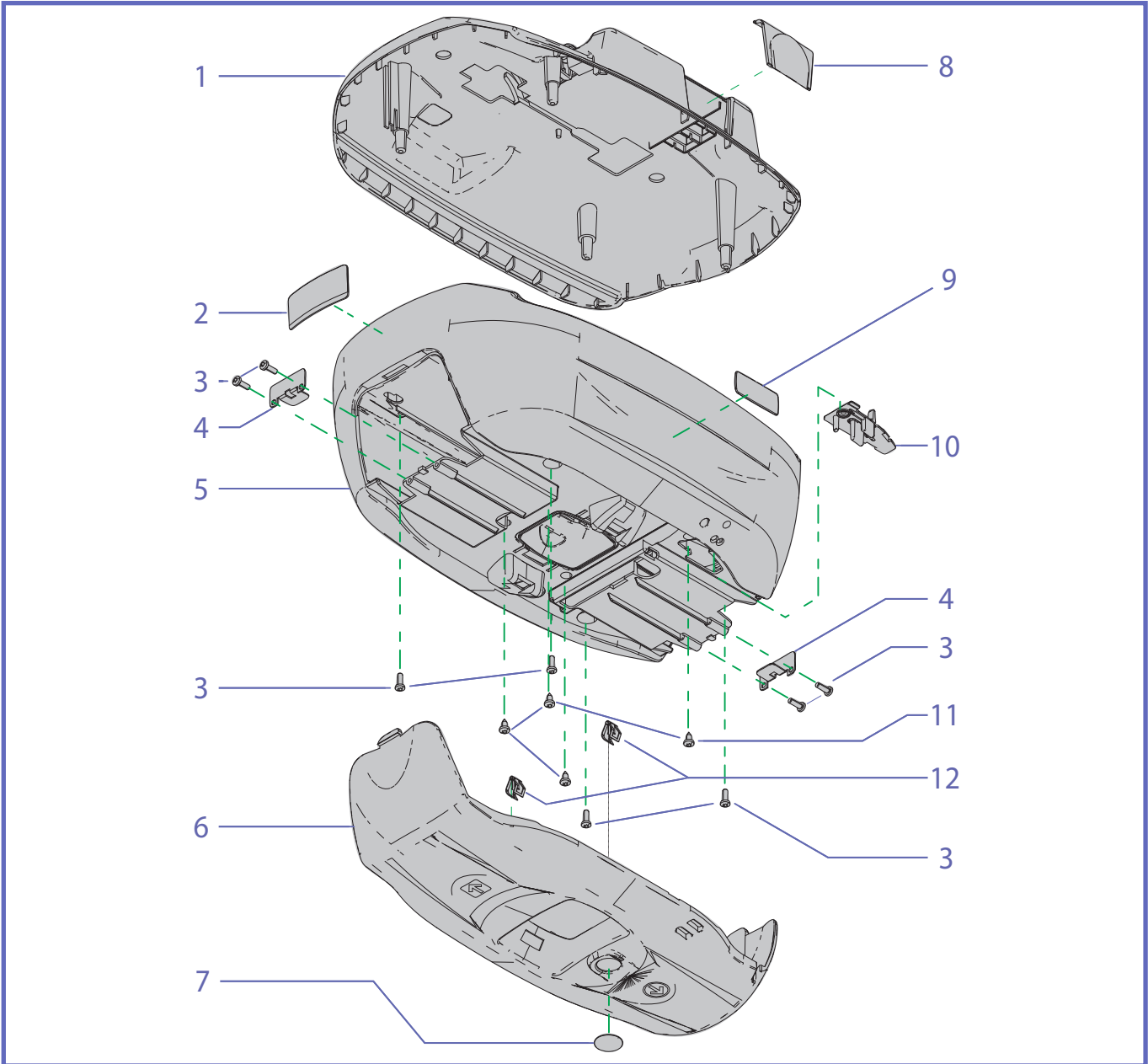
B**GENERAL PARTS / ACCESSORIES**

| ITEM | PART No | DESCRIPTION | QTY | REMARKS | KIT |
|------|--------------|-------------------------------------|-----|--------------------------------------------------------------------------|-----|
| 1 | 700-13840 | 6-Button hand control - IPX4 | 1 | | |
| | 700-13845 | 6-Button hand control - IPX7 | | | |
| 2 | 700-13860 | 2-Button hand control - IPX4 | 1 | | |
| | 700-13865 | 2-Button hand control - IPX7 | | | |
| 3 | 000.03950 | 8 mm - 2 mm core O-ring | 1 | | |
| 4 | 000.03975 | 8 mm short Allen key | 1 | | |
| 5 | 402.15508 | Charger extension 2.5 DC | 1 | Compatible with 700-1558 and 700-15561 (K14) | |
| 6 | 700-15522-0 | KWIKtrak Charge station 2.5 DC | 1 | | |
| 7 | 700.15520 | Charge station RCA | 1 | No longer available. Replace with 700-15511 or 700-15512 (K15) | |
| 8 | 700.15508 | Charger Box | 1 | No longer available. Replace with 700-15511 or 700-15512 (K15) | |
| 9 | 000.00655 | Plastic Anchor #10-12 | 2 | | |
| 10 | 000.00645 | Tap Screw ST 4.8 X 19 Phillips | 2 | | |
| 11 | 225.15540 | Contact Box Plate | 1 | | |
| 12 | 402.15505 | Charger Extension Cord - RCA | 1 | No longer available. Replace with 700-15511 or 700-15512 (K15) | |
| 13 | 001.14150.33 | Instruction For Use | 1 | | |
| 14 | 362-15670 | Strap | 1 | | |
| 15 | P8180 | Food Grade Type Grease | - | | |
| 16 | 700.14900 | BHM Rail Guiding Wheel Kit | - | For "B" track profile | |
| 17 | 405-20803 | Ferrite for Hand Control | 1 | | |
| 18 | 005.00374 | Pin Extractor | - | | |
| 19 | 361.05495.33 | Arjo Spreader Bar Padding | - | | |
| 20 | 200.05466 | Safety Latch | 2 | | |
| 21 | 402-10001 | Power Cable White Class 2 (UL) | - | | |
| 22 | 402-10002 | Power Cable White Class 2 (JP) | - | | |
| 23 | 402-10003 | Power Cable White Class 2 (CE) | - | | |
| 24 | 402-10004 | Power Cable White Class 2 (AU) | - | | |
| 25 | 402-10005 | Power Cable White Class 2 (UK) | - | | |
| 26 | 700.14010 | 1 Meter Strap Extension | - | | |
| 27 | 000.02515 | Screw Self tap ST4.8 X 13 HEX | - | | |
| 28 | 225-15563 | Charger Support | - | | |
| 29 | 700-15522-1 | Charge Station 2.5DC - Other Tracks | - | | |
| 30 | 402.15507 | Cable Adaptor RCA(F) - DC2.5(F) | | Used to connect charger with charging stations featuring a RCA connector | |
| 31 | 403.10500 | 12V 5Ah Battery | 1 | It is strongly suggested to order in pairs | |

(1) Item B16 is required for B Track profile

*Track profile details.

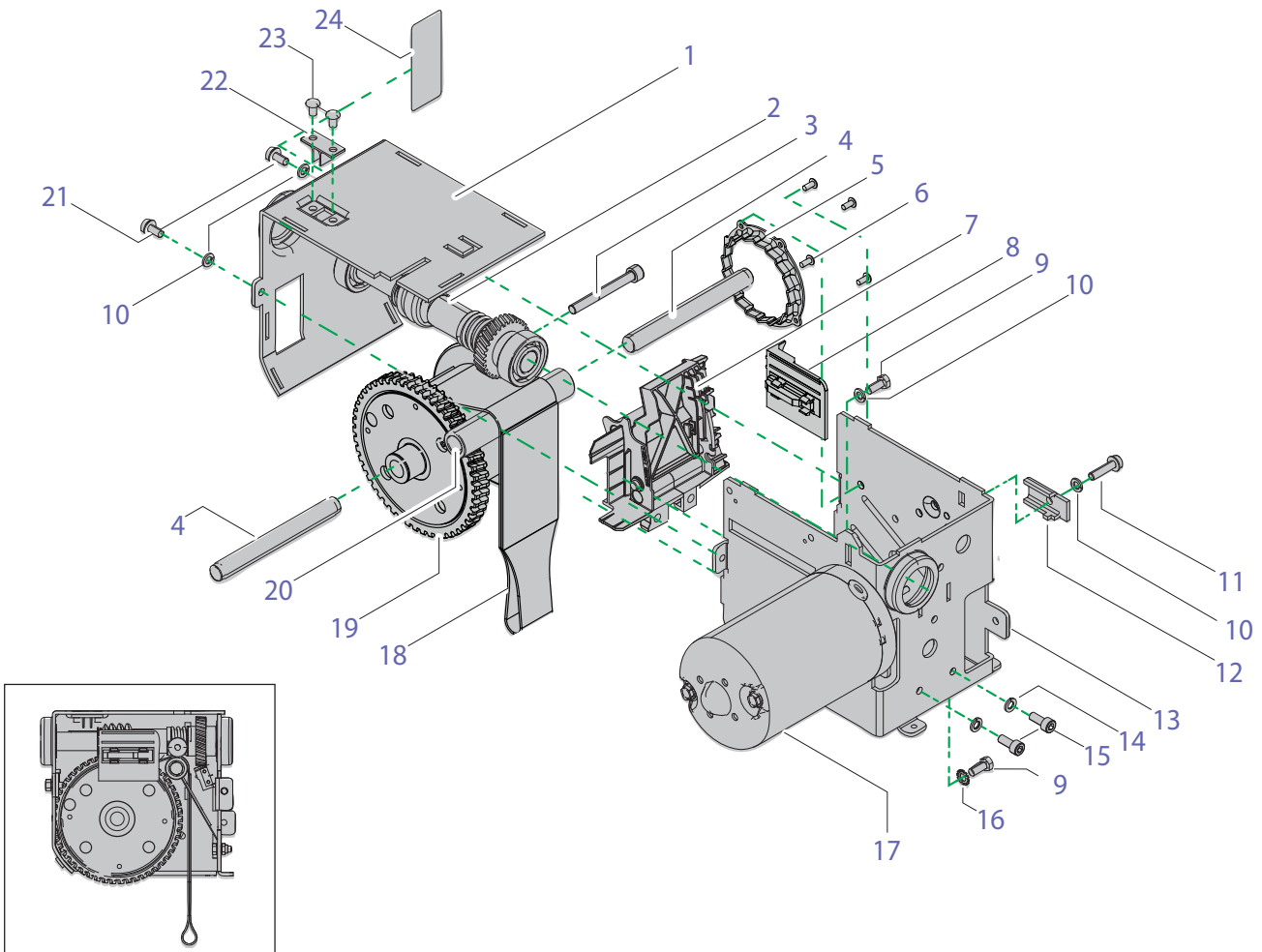
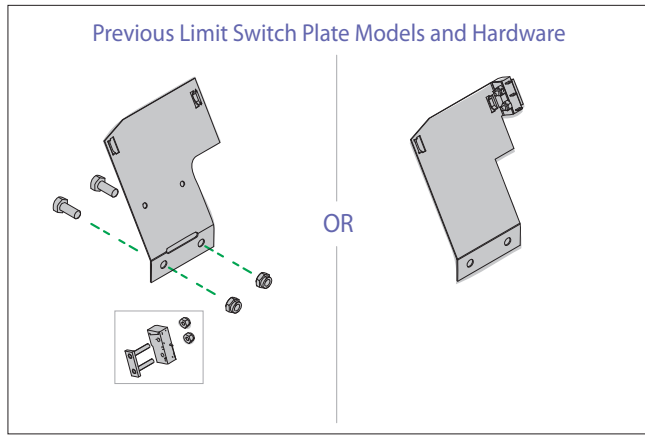
C - Housing



C***HOUSING***

| ITEM | PART № | DESCRIPTION | QTY | REMARKS | KIT |
|------|--------------|-----------------------------|-----|------------------------------------------------------------------------|-----|
| 1 | 200.14500.33 | Top shell | 1 | * Replace with K1 if serial number is lower than 16000 | K1* |
| 2 | N/A | Serial number sticker | | Must be transferred from old housing to the new one during replacement | |
| 3 | 000.02480 | 4.0 X 12 Plastite tap screw | 8 | | |
| 4 | 203.14080 | Battery support | 2 | | |
| 5 | 200.14510.33 | Main shell | 1 | * Replace with K1 if serial number is lower than 16000 | K1* |
| 6 | 200.14560.33 | Panel | 1 | * Replace with K1 if serial number is lower than 16000 ♦ Optional | K1* |
| | 700.14560.33 | Panel assembly for infrared | ♦ | | |
| 7 | 200.14565.33 | Plastic Panel Plug (grey) | - | | |
| 8 | 200.14530.33 | Tool door | 1 | | |
| 9 | 8418700 | "Arjo" sticker | 2 | | |
| 10 | 200.14540 | Replacement button | 1 | | |
| 11 | 000.00635 | 4.2 X 9.5 ST Torx tap screw | 4 | | |
| 12 | 000.14520 | Trim clip panel | 2 | | |

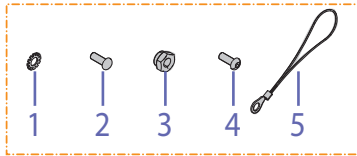
D - Transmission



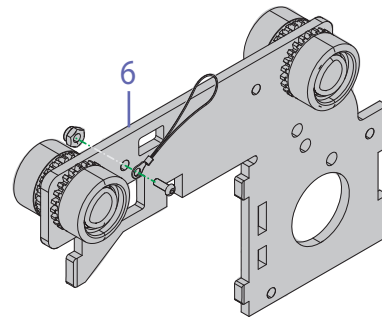
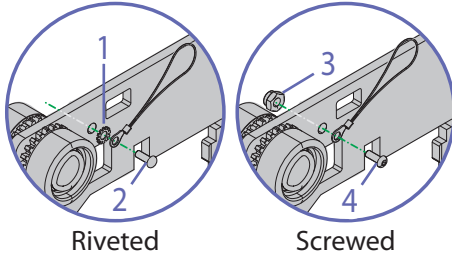
D**TRANSMISSION**

| ITEM | PART № | DESCRIPTION | QTY | REMARKS | KIT |
|------|-----------|-----------------------------------|-----|-----------------------|-----|
| 1 | 203.14010 | Frame top part | 1 | | K4 |
| 2 | 600-14180 | Shaft assembly | 1 | | K4 |
| 3 | 000-03766 | Screw M8 X 70 SOC ZP | 1 | Serial № 84854 to ... | |
| 4 | 203.14050 | 12 mm shaft | 2 | | |
| 5 | 203-15618 | Teeth disk emergency brake | 1 | Serial № 84854 to ... | K4 |
| 6 | 010.00899 | Rivet 3/16 1/8-1/4 stainless | 4 | Serial № 84854 to ... | |
| 7 | 700-14075 | High Limit Switch Kit | 1 | Replaces limit plate | K20 |
| 8 | 200.14230 | CBLM Plate | 1 | | K4 |
| 9 | 000.02550 | M5 X 12 zinc plated hex screw | 4 | | |
| 10 | 000.02900 | M5 zinc plated lock washer | 4 | | |
| 11 | 000.02590 | M5 X 20 zinc plated Taptite screw | 1 | | |
| 12 | 203.14030 | Trolley lock | 1 | | |
| 13 | 203.14000 | "U-shape" frame | 1 | | K4 |
| 14 | 000.02900 | M5 zinc plated lockwasher | 2 | | |
| 15 | 000-02551 | Socket head cap screws | 2 | | |
| 16 | 000.02915 | M5 zinc plated star washer | 1 | | |
| 17 | 400.14000 | Vertical motor | 1 | | |
| 18 | 362-15670 | Strap | 1 | | |
| 19 | 600-13351 | Drum die cast MS-600 | 1 | Serial № 84854 to ... | K4 |
| 20 | 200.14060 | Strap roller | 1 | | |
| 21 | 000.02562 | M5 X 10 zinc plated Taptite screw | 2 | | |
| 22 | 200.14260 | SSRS enabler | 1 | | |
| 23 | 000.00890 | 3/16" 0-1/8 aluminium rivet | 2 | | |
| 24 | 001-10012 | Lot/Serial Number Label | 1 | | K4 |

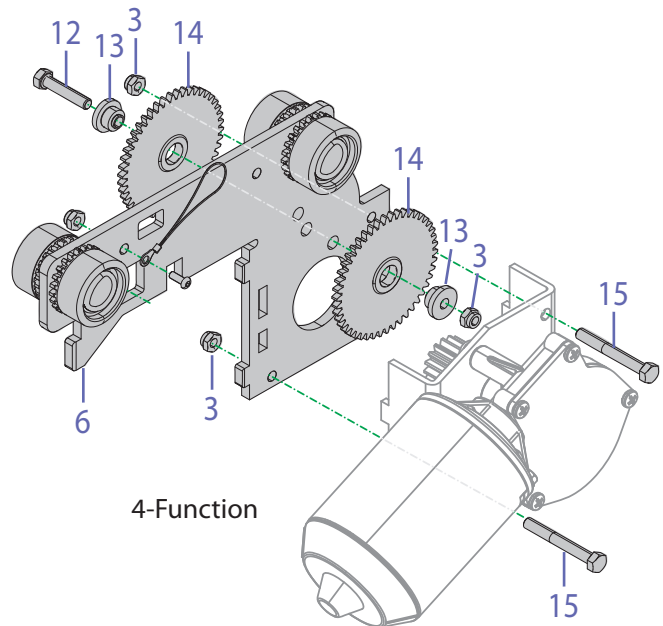
Anti-static Kit Nº 700.14015



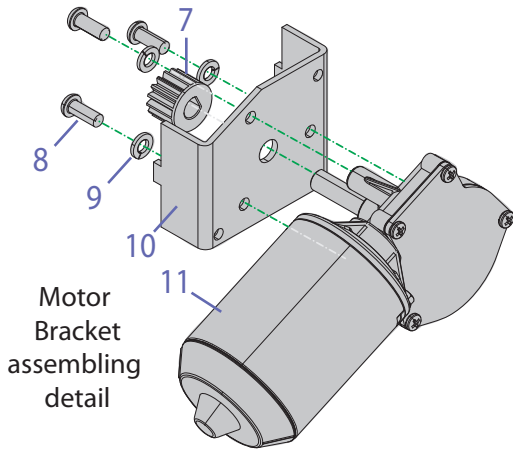
Anti-static Kit Assembling Details



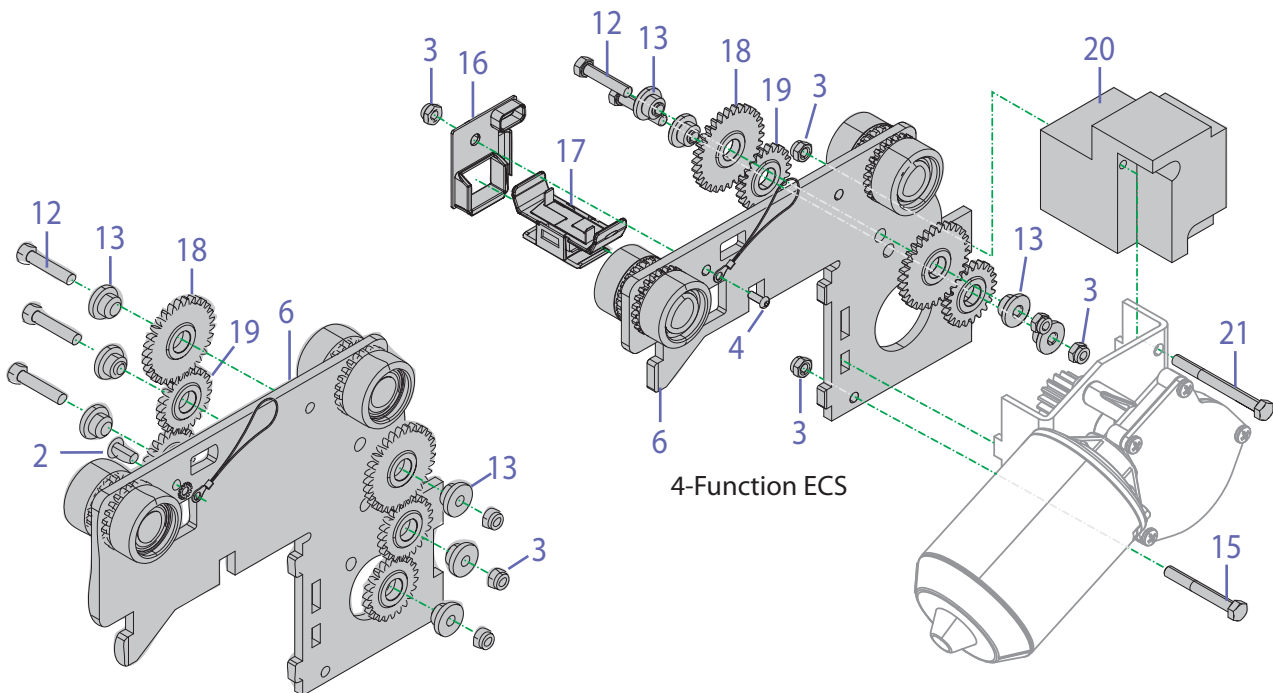
2-Function



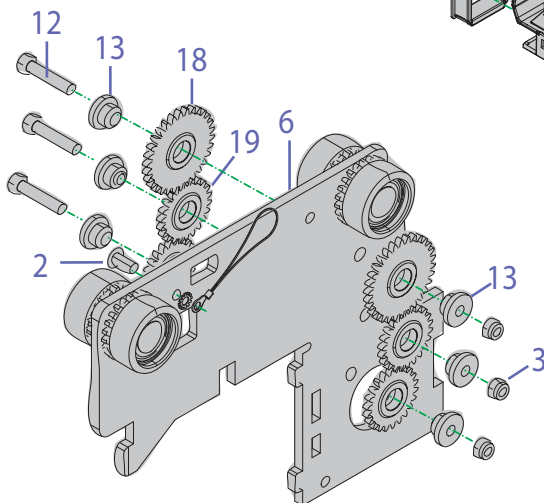
4-Function



Motor Bracket assembling detail



4-Function ECS



Extended

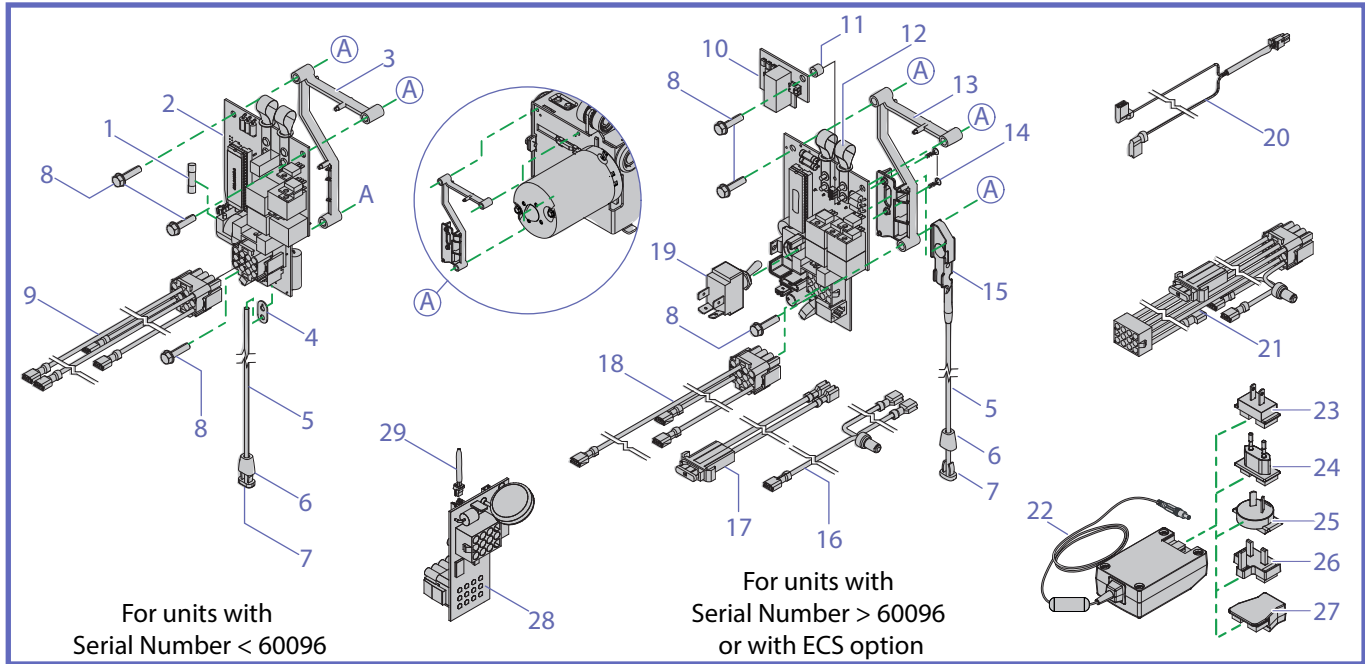
E

TROLLEY

| Extended Trolley ↓ | | | | | | | | | | No 700-14066 | K7 | |
|-------------------------------------------|------------|----------------------------------|-----|---|---|---|---|---|---|--------------|----------------------------------|----|
| 4-Function KWIKtrak Trolley ↓ | | | | | | | | | | No 700-14026 | K5 | |
| 4- Function W or T rail profile Trolley ↓ | | | | | | | | | | No 700.14045 | K5 | |
| 4- Function ECS KWIKtrak Trolley ↓ | | | | | | | | | | No 700-14051 | K6 | |
| 2- Function KWIKtrak Trolley ↓ | | | | | | | | | | No 700-14021 | K7 | |
| 2- Function W or T rail profile Trolley ↓ | | | | | | | | | | No 700.14040 | K7 | |
| Anti-static Kit ↓ | | | | | | | | | | No 700.14015 | K8 | |
| Weight MS600 ECS upgrade Kit ↓ | | | | | | | | | | No 700-07655 | K9 | |
| ITEM | PART № | DESCRIPTION | QTY | | | | | | | REMARKS | KIT | |
| 1 | 000.02915 | M5 Star washer, zinc | - | 1 | 1 | 1 | 1 | 1 | 1 | * | | |
| 2 | 000.00899 | Rivet 3/16 1/8-1/4 Steel | - | 1 | 1 | 1 | 1 | 1 | 1 | * | | |
| 3 | 000.02800 | M5 Locknut, zinc | 1 | 1 | 1 | 1 | 5 | 4 | 4 | * | | |
| 4 | 000.02550 | M5 X 12 Hex Screw | - | 1 | 1 | 1 | 1 | 1 | 1 | - | | |
| 5 | 402.14015 | Anti-static Wire | - | 1 | 1 | 1 | 1 | 1 | 1 | * | | |
| 6 | G700-14021 | Trolley for KWIKtrak Rail | - | - | - | 1 | 1 | - | 1 | - | | K7 |
| | G700.14040 | Trolley for W or T Profile Rail | - | - | 1 | - | - | 1 | - | - | | |
| | G700-14066 | Trolley Extended | - | - | - | - | - | - | - | (1) | | |
| 7 | 200.14250 | Left/right motor gear | - | - | - | - | 1 | 1 | 1 | - | | |
| 8 | 000.03105 | M6 X 16 zinc plated button screw | - | - | - | - | 3 | 3 | 3 | - | | |
| 9 | 000.03420 | M6 zinc plated lock washer | - | - | - | - | 3 | 3 | 3 | - | | |
| 10 | 203.14040 | Left/right motor plate | - | - | - | - | 1 | 1 | 1 | - | | |
| 11 | E0006 | Gear motor | - | - | - | - | 1 | 1 | 1 | - | | |
| 12 | 000.02610 | M5 X 25 zinc plated hex screw | - | - | - | - | 2 | 1 | 1 | * | | |
| 13 | 203.14220 | Idler bushing | - | - | - | - | 4 | 2 | 2 | * | | |
| 14 | 200.14210 | 46-tooth idler | - | - | - | - | - | 2 | 2 | - | | |
| 15 | 000.02655 | M5 X 40 zinc plated hex screw | - | - | - | - | 1 | 2 | 2 | - | | |
| 16 | 200.07661 | ECS Contact fixture | 1 | - | - | - | 1 | - | - | - | | |
| 17 | 700-07650 | ECS Contact Box Assembly | 1 | - | - | - | 1 | - | - | - | Can only be ordered in pair | |
| 18 | 200.14465 | 30-tooth idler | - | - | - | - | 2 | - | - | * | | |
| 19 | 200.14470 | 22-tooth idler | - | - | - | - | 2 | - | - | * | | |
| 20 | 203-07680 | Weight MS600 ECS Traction Wheel | 1 | - | - | - | 1 | - | - | - | For 4-function ceiling lift only | |
| 21 | 000.02660 | M5 X 60 Hex Screw, zinc | 1 | - | - | - | 1 | - | - | - | | |

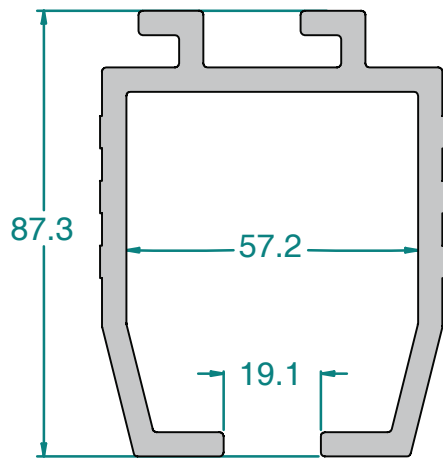
(1) Includes all parts marked with an asterisk, refer to exploded view for quantities.

F - Electrical Parts / ECS

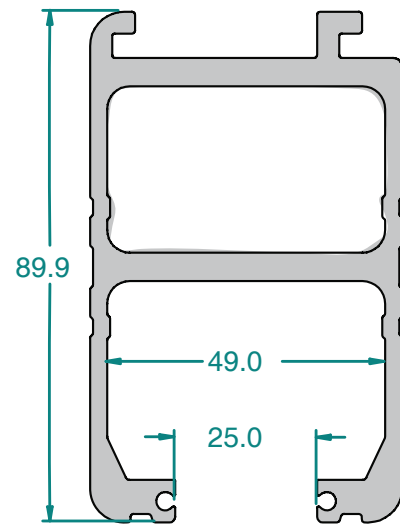


| F <i>ELECTRICAL PARTS / ECS</i> | | | | | |
|----------------------------------------|-------------|---------------------------------------------------|-----|----------------------------------------------------------------------------------------|------------------------------------------------------|
| ITEM | PART № | DESCRIPTION | QTY | REMARKS | KIT |
| 1 | C8FGMA15 | Fuse GMA 15 A | 1 | Serial № 00000 to 60095 | K10 |
| 2 | 492.00035-7 | Main board | 1 | | |
| 3 | 200.14240 | PCB support | 1 | | |
| 4 | 200.05035 | Adaptor Pull Chain | 1 | | |
| 5 | 000.01343 | 26" Red Elastic Cord | 1 | | |
| 6 | 000.01370 | Emergency cord end "insert" | 1 | | |
| 7 | 000.01375 | Emergency cord end "sheath" | 1 | | |
| 8 | 000.02590 | M5 X 20 zinc plated Taptite screw | 3 | | |
| 9 | 402.00032 | Wire kit | 1 | Serial № 00000 to 60095 | |
| 10 | 492.00071 | ECS Circuit | 1 | ECS option only | |
| 11 | 000.02540 | #10 x 1/4" (5mm) spacer | 1 | Serial № 60096 to ..., ECS option only | |
| 12 | 499-02072-B | Main Board | 1 | Serial № 60096 to ... | K12 |
| 13 | 200.19506 | PCB support | 1 | | |
| 14 | 000.00032 | 3.0 x 10 Plastite, zinc plated screw | 2 | | |
| 15 | 200.19508 | Emergency stop cord insert | 1 | | |
| 16 | 402.00060 | Wire Harness Kit for Batteries | 1 | | |
| 17 | 402.00061 | In-line Fuse Harness for Batteries | 1 | | |
| 18 | 402.00062 | Power Cable | 1 | | |
| 19 | 460.00061 | 15A DPST Toggle Switch | 1 | | |
| 20 | 402.07655 | ECS Wire Harness Kit | 1 | Required for ECS option only | |
| 21 | 402-14000 | Adaptor Cable for Upgrade to latest PCBA revision | | Allows to use item 12 on units with serial № < 60096 | |
| 22 | 700-15567-B | Universal Charger | - | | |
| 23 | 200-15561 | Primary adaptor - UL/JP | - | Only one primary adaptor is supplied with the lift according to country of destination | |
| 24 | 200-15563 | Primary adaptor - CE | - | | |
| 25 | 200-15564 | Primary adaptor - AU | - | | |
| 26 | 200-15565 | Primary adaptor - UK | - | | |
| 27 | 200-15569 | Primary adaptor - IEC | - | | For use with appropriate power cord (item B21 - B25) |
| 28 | 492-00093 | Maxi Sky Brake Board PCBA | 1 | | K13 |
| 29 | 402-00967 | Jumper Maxi Sky Brake PCBA | 1 | For units equipped with Brake Board | |

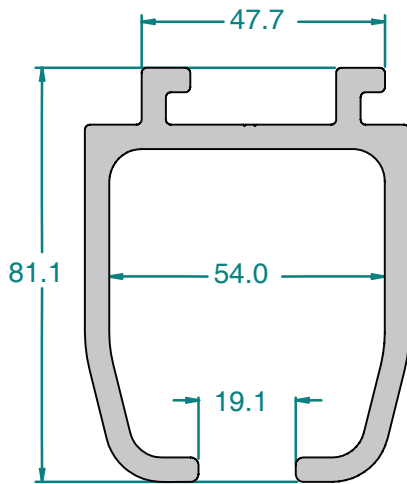
Other Tracks



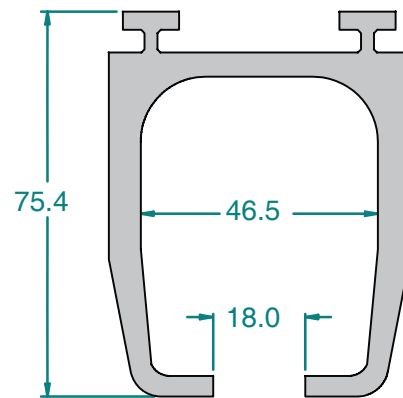
B - PROFILE



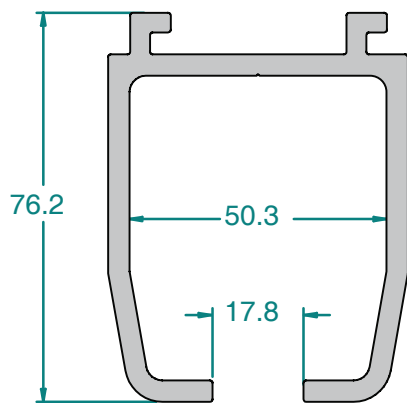
P - PROFILE



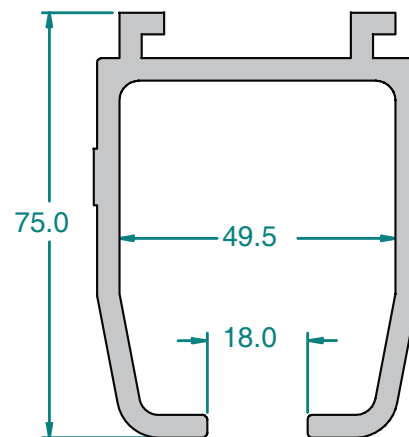
G - PROFILE



T - PROFILE



M - PROFILE



W - PROFILE

At Arjo, we are committed to improving the everyday lives of people affected by reduced mobility and age-related health challenges. With products and solutions that ensure ergonomic patient handling, personal hygiene, disinfection, diagnostics, and the effective prevention of pressure ulcers and venous thromboembolism, we help professionals across care environments to continually raise the standard of safe and dignified care. Everything we do, we do with people in mind.



ArjoHuntleigh AB
Hans Michelsensgatan 10
211 20 Malmö, Sweden
www.arjo.com

arjo