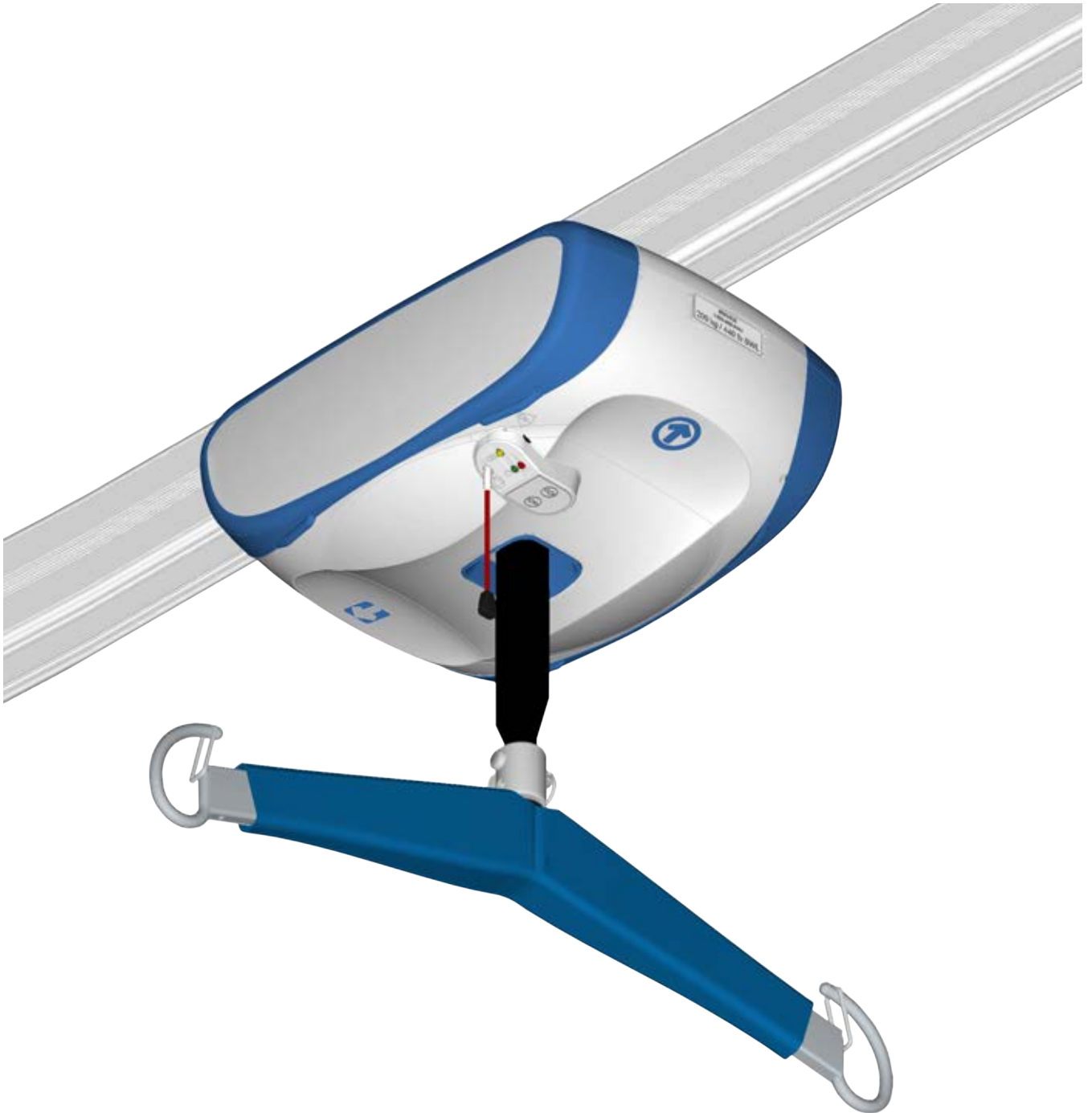


PARTS LIST

Voyager Duo V5 Duo



Design Policy and Copyright

® and ™ are trademarks belonging to the Arjo group of companies.

© Arjo 2019.

As our policy is one of continuous improvement, we reserve the right to modify designs without prior notice.

The content of this publication may not be copied either whole or in part without the consent of Arjo.

General Information

Before ordering spare parts, study the exploded view closely and make sure that you are familiar with all the spare parts involved.

Before contacting the Arjo Parts Sales department, always have the following information at hand:

- Correct name of the product (see Product Identification Label below).
- The serial number of the product (see Product Identification Label below).

Product Identification Label

Manufacturer information and manufacturing date

ArjoHuntleigh AB - Hans Michelsensgatan 10 - 211 20 Malmö - SWEDEN
2019-05 Made in Carlsda

Product Number

REF 9130001 VOYAGER DUO

Serial Number

SN XXXXXXXXX

DUTY CYCLE: 10% (1 hour in continuous
RATING: 15 min max. - IP21
MAX. LOAD: 200kg

001.19531 REV 7
184445

Product Number Nomenclature

9 1 X X X X X

INTERNAL FUNCTION:
0 - 4 FUNCTION
2 - 2-FUNCTION

RAIL SYSTEM COMPATIBILITY
0 - KWIKTRAK
B - BHM
G - GPROFILE
M - M PROFILE
P - P PROFILE
W - W PROFILE
T - T PROFILE

MODEL:
13 - VOYAGER DUO
23 - V5 DUO

FOR DETAILS ON RAIL PROFILES, REFER TO DOCUMENT No. 001-14250

Modifications made to the equipment without Arjo's express acknowledgement will invalidate supplier's product liability.

How to Read Parts List Tables

Kit: Refers to an item that consists of a replacement kit.	Part #: Use these part numbers as a reference when ordering.	Description: A short explanation of the kit being referred to.	Included Items: Refers to items, listed in the table, that are contained within the kit. Letters refer to the relevant table. Numbers refer to an item in the table.
--	--	--	--

K1	700-00001	FIRST REPLACEMENT KIT	B2
K2	700-00002	SECOND REPLACEMENT KIT	B6-B7
K3	700-00003	THIRD REPLACEMENT KIT	B1, B3-B4
K4	700-00004	FOURTH REPLACEMENT KIT	B5

Item #: Refers to the callout numbers that point to the various parts in the exploded drawings.	Part #: Use these part numbers as a reference when ordering.	Description: A short explanation of the part being referred to.	Qty: Required quantity of the part found on each product.	Remarks: General notes relevant to the part.	Kit: Refers to a kit that includes the part. Note: An item that is referred to a kit cannot be ordered separately.
---	--	---	---	--	--

1	001-00001	FIRST PART	2		K3
2	001-00002	SECOND PART	2		K1
3	001-00003	THIRD PART	2		K3
4	001-00004	FOURTH PART	1		K3
5	001-00005	FIFTH PART	2		K4
6	001-00006	SIXTH PART	8		K2
7	001-00007	SEVENTH PART	2		K2

Legend

- 1 → Callout for single item
- ① Callout for assembly kit
- Assembly lines above components
- Assembly lines behind components
- Text in Green Highlights changes from previous revision

Table of Contents

Exploded Views2

A - Replacement Kits 2

B - General Parts / Accessories 4

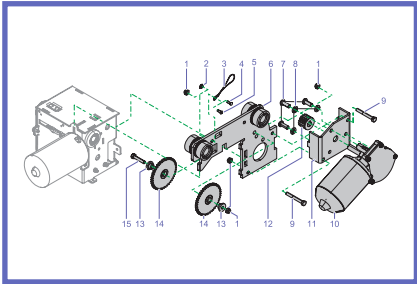
C - Housing 5

D - Transmission 6

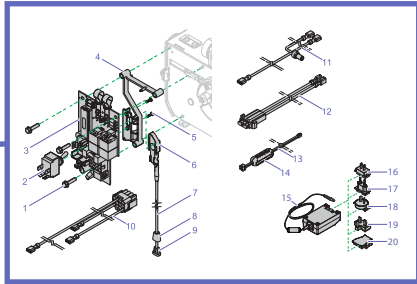
E - Trolley 8

F - Electrical 9

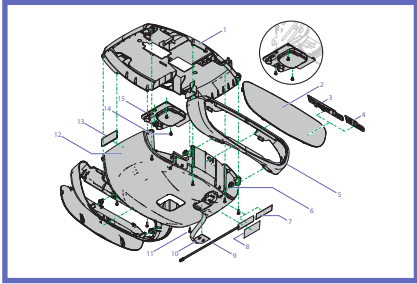
Other Tracks 10



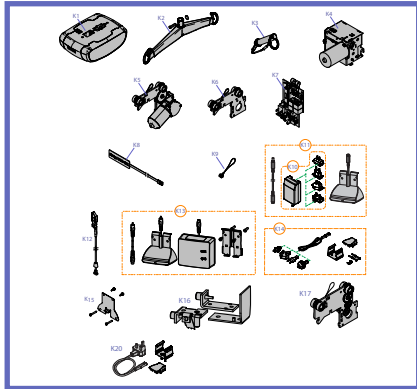
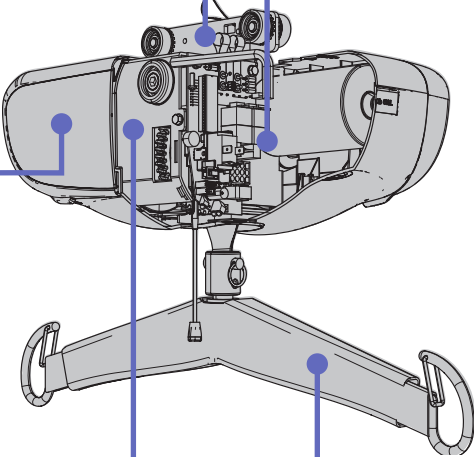
“E - Trolley” on page 8



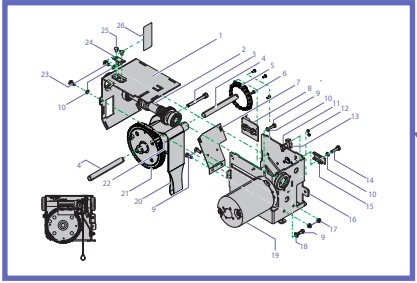
“F - Electrical”, page 9



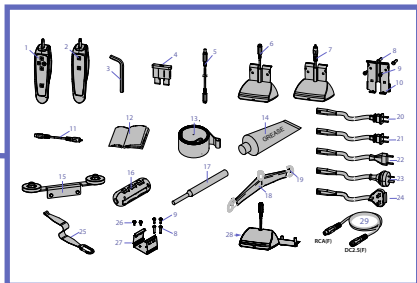
“C - Housing”, page 5



“A - Replacement Kits”, page 2



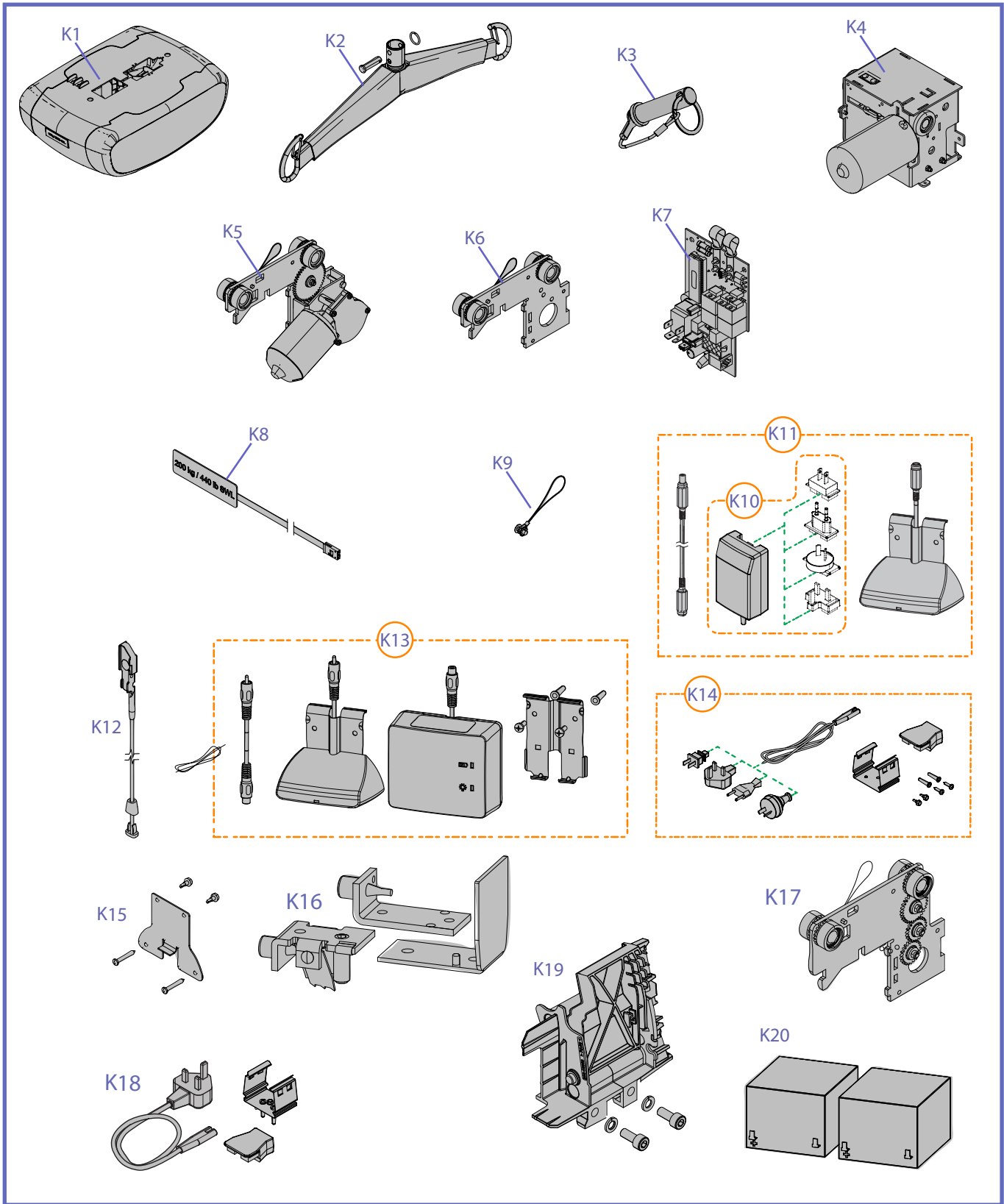
“D - Transmission”, page 6



“B - General Parts / Accessories”, page 4

Exploded Views

A - Replacement Kits



A

REPLACEMENT KITS

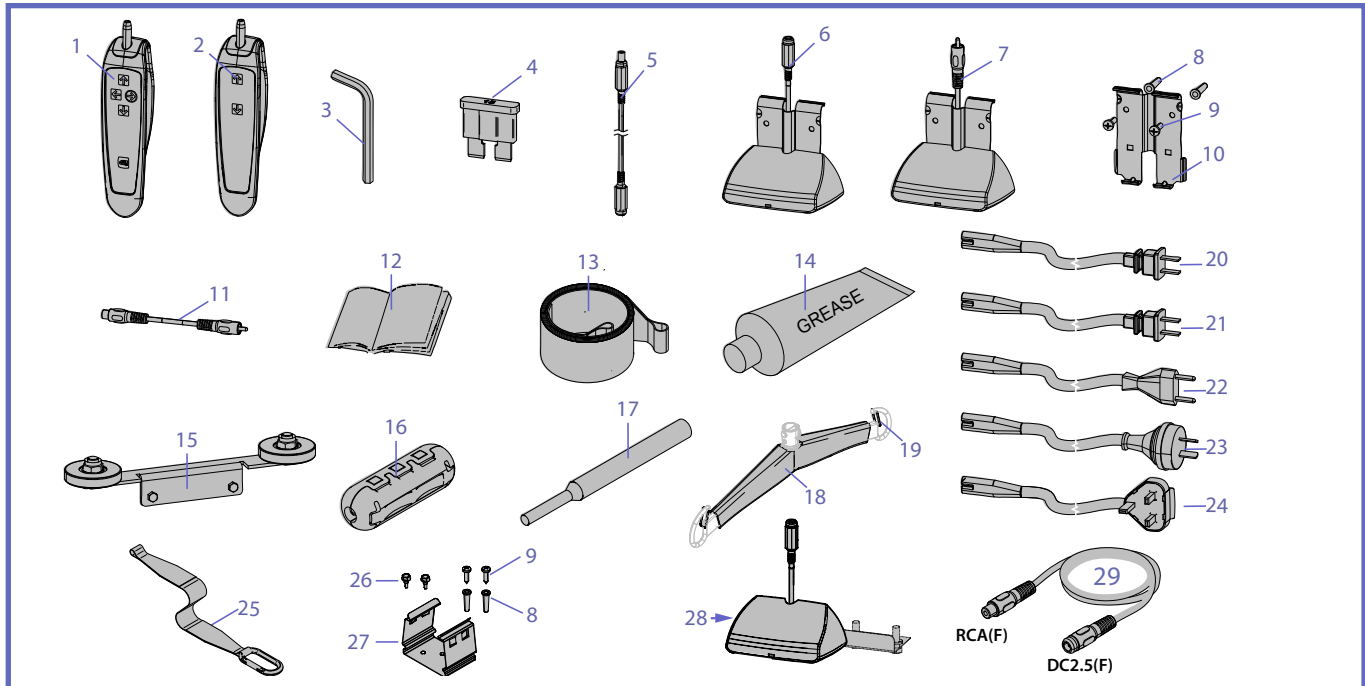
ITEM	PART No	DESCRIPTION	INCLUDED ITEMS
K1	700-19523	V5 Duo™ Housing Kit	C1 - C2, C4 - C16
	700-19521	Voyager® Duo Housing kit	C1 - C3, C5 - C16
K2	700.05491	Spreader bar with Blue Cushion top	-
K3	600-00905	Clevis Pin & Split Ring	-
K4	700.14510	Transmission kit	D1 - D24
K5	700-14026	4-FB KWIKtrak®, “B/M/P” track profile trolley*	E1 - E15
	700.14045	4-FB “G/W/T” track profile trolley*	E1 - E15
K6	700-14021	2-FB KWIKtrak, “B/M/P” track profile trolley*	E1 - E6
	700.14040	2-FB “G/W/T” track profile trolley*	E1 - E6
K7	499-01072-B	Circuit board replacement kit	F2 - F5
K8	700-19511	200 kg key assembly	C9
K9	700.14015	Anti-static kit	E1 - E5
K10	700-15568	Universal Charger	F15 - F19
	700-15561	Charger - UL/JP	F15, F16
K11	700-15511	KWIKtrak Universal Charger Kit	B5, B6, F15 - F19
	700-15512	Charger Kit - Universal - Other Track	B5, B28, F15 - F19
K12	700-01343	Emergency stop cord	F6 - F9
K13	700.15500	KWIKtrak charger Kit	B7 - B11, Charger Box
K14	700-15551	Charger Support Kit - UL	B8, B9, B20, B26, B27, F20
	700-15552	Charger Support Kit - JP	B8, B9, B21, B26, B27, F20
	700-15555	Charger Support Kit - CE/AU/UK	B8, B9, B22 - B24, B26, B27, F20
K15	700.15565	Extended Charger Bracket Kit	Includes Hardware
K16	700.05320.15	End Stopper for “M” Track Profile*	-
	A5320	End Stopper for “B” Track Profile*	-
	A5320-C	End Stopper for “G/T/W” Track Profile*	-
	700.11005	End Stopper for KWIKtrak & “P” Track Profile*	-
K17	700-14066	Extended KWIKtrak Trolley	-
K18	600-24285	Protection Fuse Kit	-
K19	700-14075	High Limit Switch Kit	Replaces the limit plate
K20	700-02403	Battery kit	2 x (403.10500) 12V 5AH

* Refer to “Other Tracks” on page 10

* Item B15 is required for B Track profile.

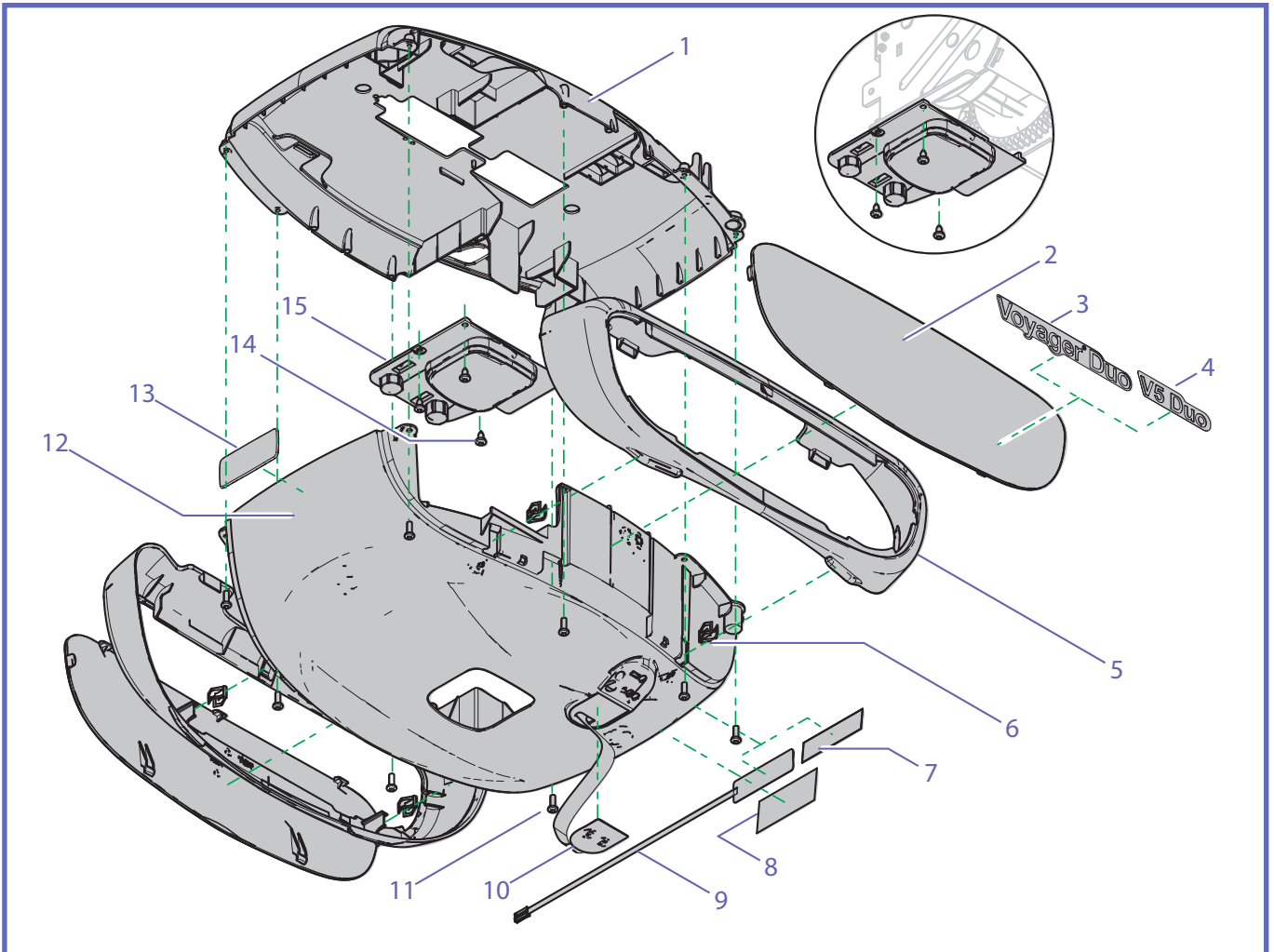
* The Protection Fuse kit K18 is required for all installations in UK.

B - General Parts / Accessories



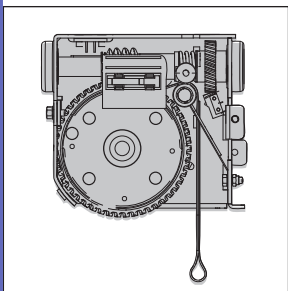
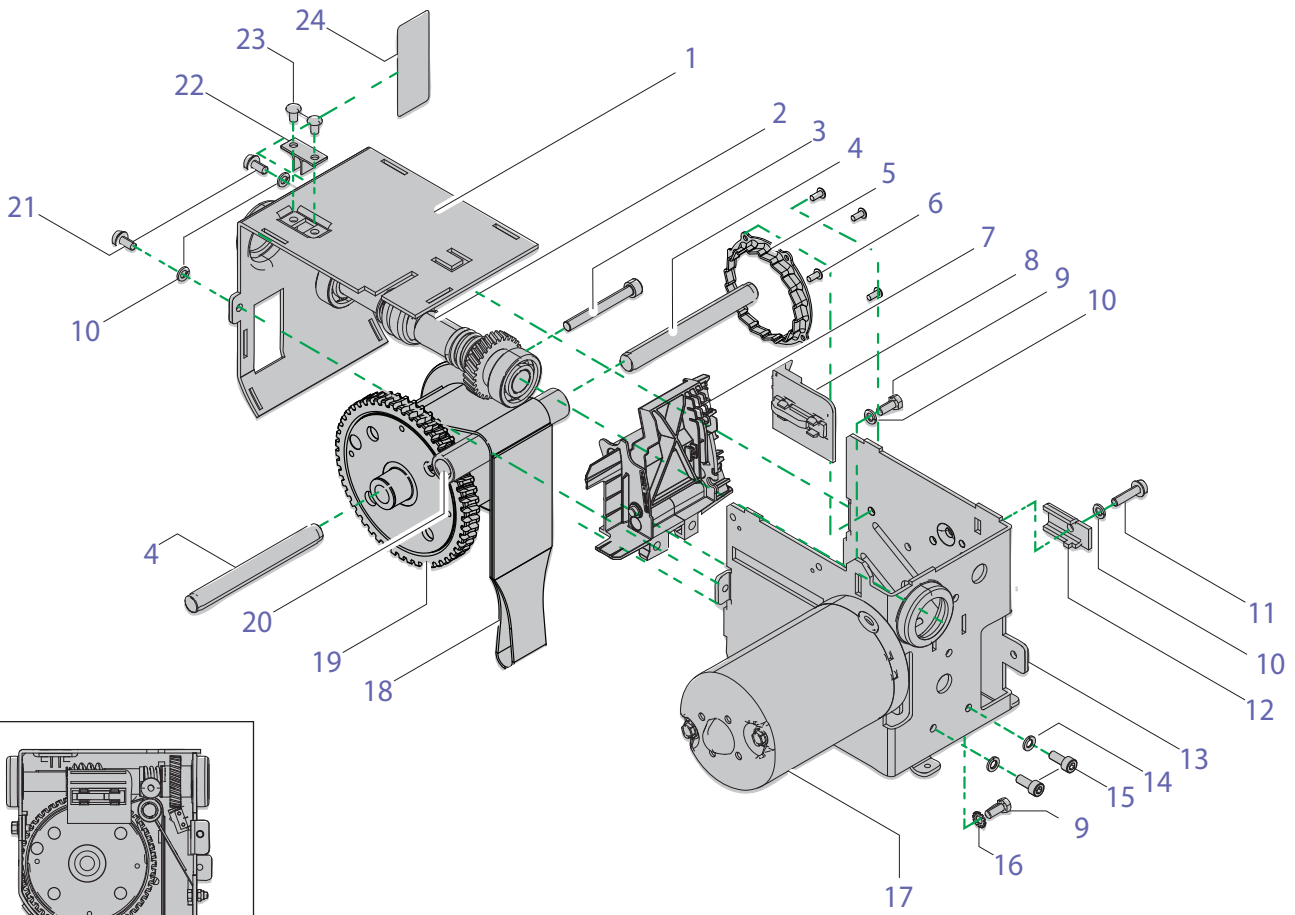
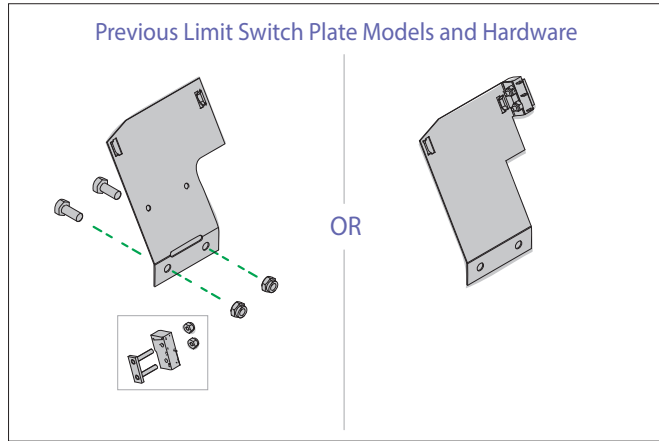
1	700-13805	4-function hand control	1	
2	700-13865	2-function hand control	1	
3	600-03975	8 mm zinc plated short Allen key	1	
4	480.00115	15A Fuse	1	
5	402.15508	2.5 DC Charger extension	1	Compatible with 700-24201 and 700-15567-B (K13)
6	700-15522-0	2.5 DC Charge station	1	
7	700.15520	Charge station - RCA	1	
8	000.00655	#10-12 Plastic anchor	2	Compatible with 700.15500 (K16)
9	000.00645	ST 4.8 x 19 Phillips Tap screw	2	
10	225.15540	Contact box plate	1	
11	402.15505	Charger RCA extension cord	1	
12	001.19520	<i>Voyager Duo</i> Instructions for Use	1	
	001-16005	<i>V5 Duo</i> Instructions for Use		
13	362-15670	Strap	1	
14	P8180	Food grade type grease	-	
15	700.14900	BHM track guiding wheel kit	-	For "B" track profile
16	405-20803	Ferrite for hand control	1	
17	005.00374	Pin extractor	-	
18	361.05491	Blue spreader bar cushion top	1	
19	200.05466	Safety latch	2	
20	402.00001	Cable - Class 2 (US)	-	
21	402.00002	Cable - Class 2 (JP)	-	
22	402.00003	Cable - Class 2 (CE)	-	
23	402.00004	Cable - Class 2 (AU)	-	
24	402.00005	Cable - Class 2 (UK)	-	
25	700.14010	1 Meter Strap Extension	-	
26	000.02515	ST4.8 X 13 HEX Self tap screw	-	
27	225-15563	Charger support	-	
28	700-15522-1	2.5 DC Charge station - Other Tracks	-	
29	402.15507	- 2.5DC (F) RCA(F) Cable Adaptor		Used to connect charger with charging stations featuring a RCA connector

C - Housing



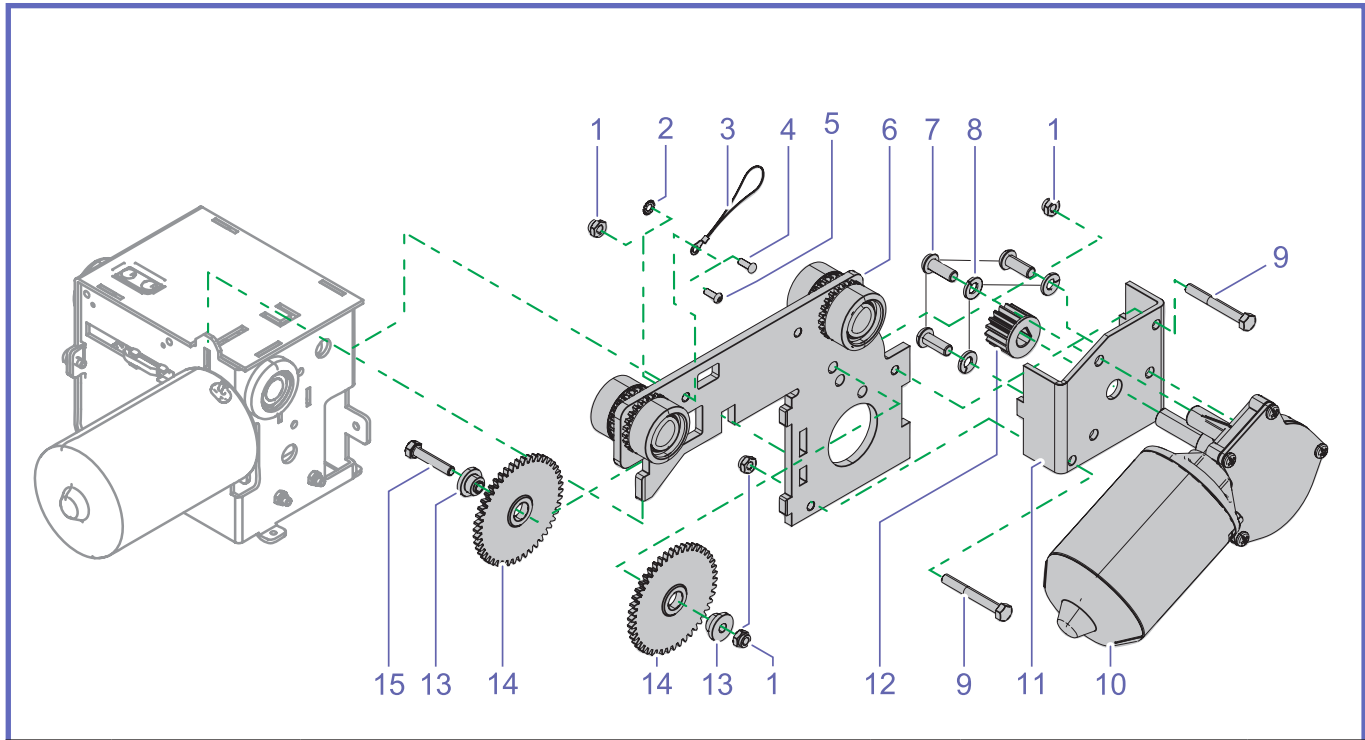
1	200.19500	Top cover	1		
2	200.19503	Side panel	2		
3	001.19500	"Voyager Duo" Sticker	2		
4	001-19502	"V5 Duo" Sticker	2		
5	200.19505	Side cover with clip	2		
6	000.14520	Trim clip, panel	4		
7	001.19510	100 kg SWL label	1		
8	001.19531	Voyager Duo nameplate	1		
	001-19570	V5 Duo nameplate			
9	001.19511	200 kg key assembly	-		K8
10	001.19506	Up-down membrane	1		
11	000.02480	4.0 X 12 plastite tap screw	8		
12	200.19501	Bottom cover	1		
13	8418699	Arjo logo sticker	1		
14	000.00635	4.2 X 9.5 St Torx tap screw	3		
15	200.19504	Strap inlet	1		

D - Transmission



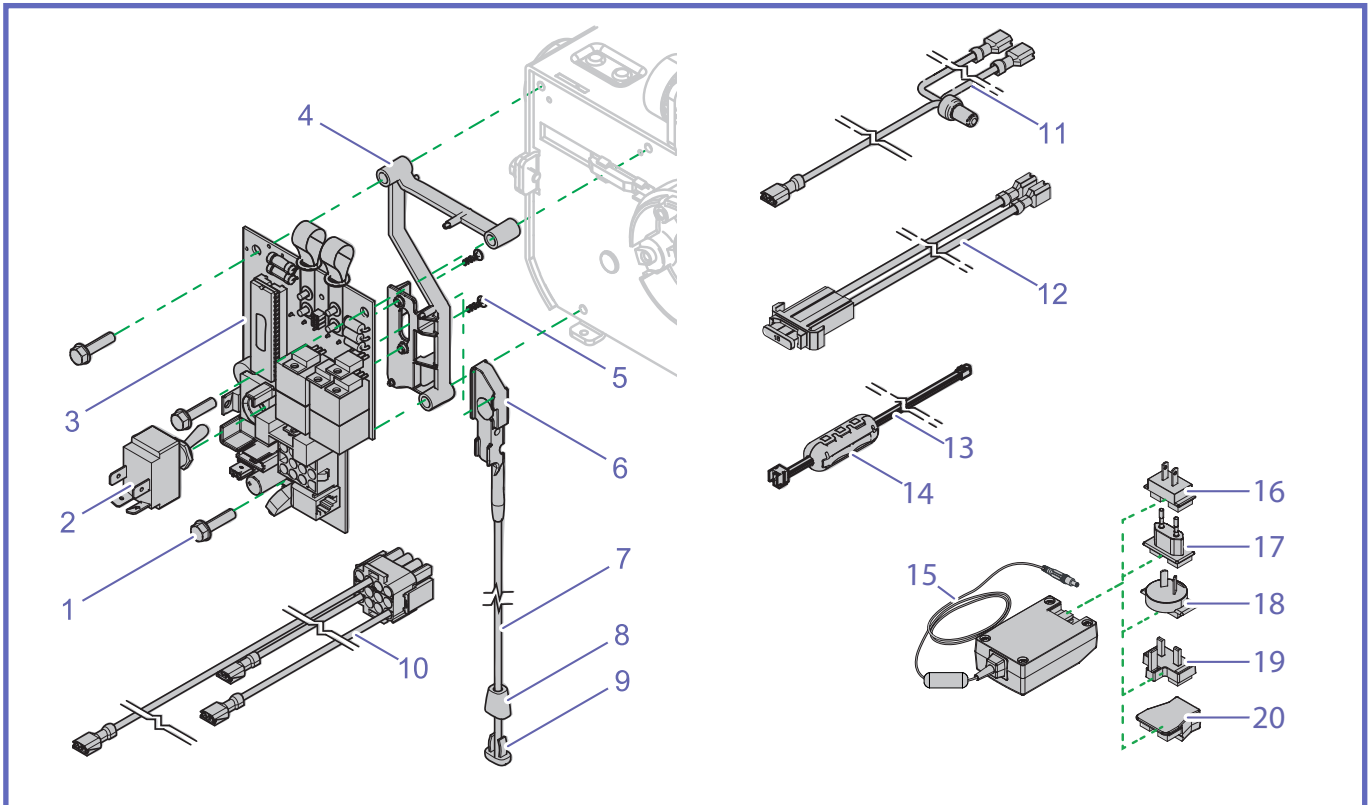
1	203.14010	Frame top part	1		K4
2	700.14100	Shaft assembly	1		K4
3	000-03766	M8 X 70 SOC ZP Screw	1	Serial № 84854 to ...	
4	203.14050	12mm shaft	2		
5	203-15618	Emergency brake toothed disk	1	Serial № 84854 to ...	K4
6	010.00899	3/16 1/8-1/4 stainless Rivet	4	Serial № 84854 to ...	
7	700-14075	High Limit Switch Kit	1	Replaces limit plate	K19
8	200.14230	CBLM Plate	1		K4
9	000.02550	M5 X 12 zinc plated hex screw	2		
10	000.02900	M5 zinc plated lock washer	4		
11	000.02590	M5 X 20 zinc plated Taptite screw	1		
12	203.14030	Trolley lock	1		
13	203.14000	"U-shape" frame	1		K4
14	000.02900	M5 zinc-plated lockwasher	2		
15	000-02551	Socket head cap screws	2		
16	000.02915	M5 zinc-plated star washer	1		
17	400.14000	Vertical motor	1		
18	362-15670	Strap	1		
19	600-13351	Drum - Die cast MS-600	1	Serial № 84854 to ...	K4
20	200.14060	Strap roller	1		
21	000.02562	M5 X 10 zinc-plated Taptite screw	2		
22	200.14260	SSRS enabler	1		
23	000.00890	3/16" 0-1/8 Aluminium rivet	2		
24	001-10012	Lot/Serial Number Label	1		K4

E - Trolley



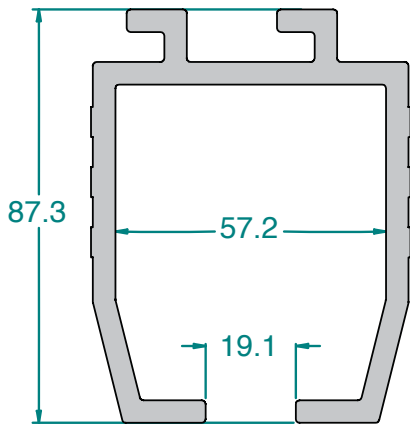
1	000.02800	M5 zinc-plated locknut	5		
2	000.02915	M5 zinc star washer	2		
3	402.14015	Antistatic wire	1		
4	000.00899	3/16 1/8-1/4 Steel rivet	1		
5	000.02550	M5 x 12 Hex Screw	1		
6	700-14021	2-function trolley	1		K6
7	000.03105	M6 X 16 zinc-plated button screw	3		
8	000.03420	M6 zinc-plated lock washer	3		
9	000.02655	M5 X 40 zinc-plated hex screw	2		
10	E0006	Gear motor	1		
11	203.14040	Left/right motor plate	1		
12	200.14250	Left/right motor gear	1		
13	203.14220	Bushing idler	2		
14	200.14210	46 tooth idler	2		
15	000.02610	M5 X 25 zinc-plated hex screw	1		

F - Electrical

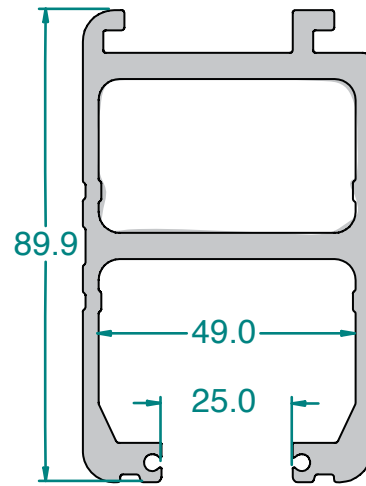


1	000.02590	M5 X 20 Taptite screw	3		
2	460.00061	15A 0.25TAB DPST toggle switch	1		
3	499-01072	PCBA Motor control	1		K7
4	200.19506	PCB support	1		
5	000.00032	3.0 X 10 Plastite, zinc-plated flat Torx screw	2		
6	200.19508	Emergency stop insert	1		K12
7	000.01343	26" Red elastic cord	1		K12
8	000.01375	Cord tip "insert"	1		
9	000.01370	Cord end "insert"	1		
10	402.00062	Wire harness power cable	1		
11	402.00060	Wire harness switch - battery	1		
12	402.00061	In-line fuse for battery wire harness	1		
13	402.19500	Hand control to UMC harness	1		
14	405-20803	Ferrite for hand control	1		
15	700-15567-B	Universal charger			
16	200-15561	Primary adaptor - US/JP		Only one primary adaptor is supplied with the lift according to country of destination	
17	200-15563	Primary adaptor - CE			
18	200-15564	Primary adaptor - AU			
19	200-15565	Primary adaptor - UK			
20	200-15569	Primary adaptor - IEC		For use with appropriate power cord (item B20 - B24)	

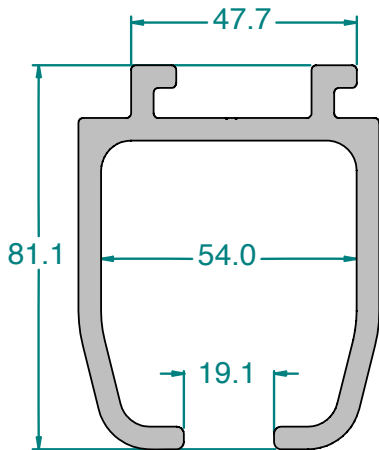
Other Tracks



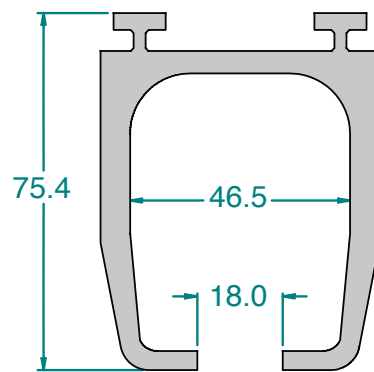
B - Profile



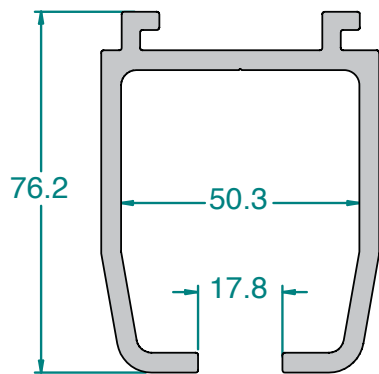
P - Profile



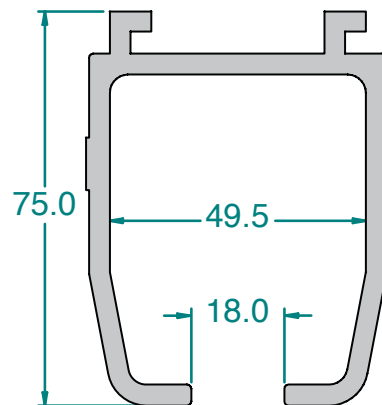
G - Profile



T - Profile



M - Profile



W - Profile

Intentionally left blank

At Arjo, we are committed to improving the everyday lives of people affected by reduced mobility and age-related health challenges. With products and solutions that ensure ergonomic patient handling, personal hygiene, disinfection, diagnostics, and the effective prevention of pressure ulcers and venous thromboembolism, we help professionals across care environments to continually raise the standard of safe and dignified care. Everything we do, we do with people in mind.



ArjoHuntleigh AB
Hans Michelsensgatan 10
211 20 Malmö, Sweden
www.arjo.com

arjo