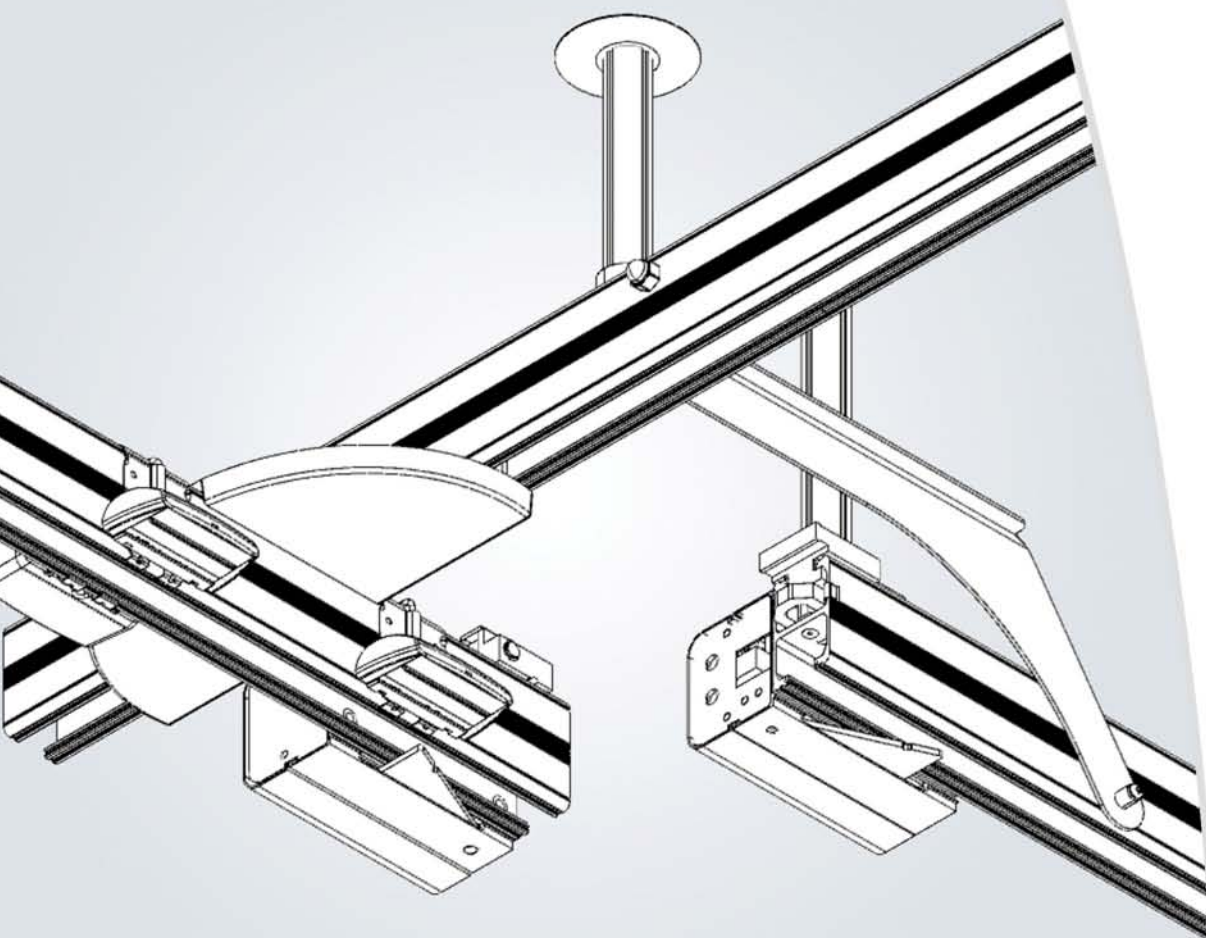


KWIKtrak Gate
Instruction for Use



CE

Design Policy and Copyright

® and ™ are trademarks belonging to the ArjoHuntleigh group of companies.
© ArjoHuntleigh 2013.

As our policy is one of continuous improvement, we reserve the right to modify designs without prior notice. The content of this publication may not be copied either whole or in part without the consent of ArjoHuntleigh.

Table of Contents

Foreword	1
Please Read this Manual Thoroughly!	1
Service and Support	1
Manufacturer Information	1
Definitions Used in this Manual	1
Safety Instructions	2
Operational Life	2
Product Identification	2
How to Use this Manual	2
Safe Working Load	3
Important Safety Directions	3
Shock Prevention	3
Environmental Advice	3
Homecare Environment Considerations	3
Symbols Used	4
General Symbols	4
Product Description / Labels	5
How to use the KWIKtrak Gate	6
Crossing the Gate	6
Using the Gate System	6
Troubleshooting	8
Care and Maintenance	8
Preventive Maintenance Schedule	8
Annual Inspection by an Authorized Technician	8
Cleaning	8
Technical Specifications	9
Product Dimensions	10
Dimensions	10
Electromagnetic Compatibility	11
Electromagnetic Compliance	11
Electromagnetic Emissions	11
Electromagnetic Immunity	12

Please Read this Manual Thoroughly!

The information in this manual is crucial to the proper use and maintenance of the KWIKtrak® Gate system. It will help protect your product as well as ensure that it performs to your satisfaction.

Lifting and transferring a person always presents a potential risk. This manual contains safety related information that must be read and understood to help prevent injuries.

WARNING: ArjoHuntleigh strongly advises and warns that to avoid injuries that can be attributed to the use of inadequate parts, only parts designated by ArjoHuntleigh should be used on product and other appliances supplied by ArjoHuntleigh.

WARNING: Unauthorized modifications on any ArjoHuntleigh product may affect its safety. ArjoHuntleigh will not be held responsible for any accidents, incidents or lack of performance that occur as a result of any unauthorized modification to its products.

Do not attempt to expose, service or repair the *KWIKtrak Gate* system. If any unit is defective, contact your local ArjoHuntleigh vendor.

Always ensure that the equipment is installed and put into service by an authorized ArjoHuntleigh contractor or installer in accordance with the information contained in the accompanying documents.

Service and Support

A service routine has to be done on your *KWIKtrak Gate* system by ArjoHuntleigh trained service personnel. This will ensure it remains safe and functional.

Please contact your local ArjoHuntleigh vendor for any of the following:

- If you require further information.
- Want to report an unexpected event, change in the performance or a malfunction.
- Need any help in setting up, using or maintaining your *KWIKtrak Gate*.
- Need replacement parts.

Your ArjoHuntleigh vendor can offer support and service programs to maximize the long-term safety, reliability and value of the product.

Additional copies of this manual can be purchased from your local ArjoHuntleigh agent. When ordering, include the *Instructions for Use* part number (see front page) and the product part number.

Manufacturer Information

This product was manufactured by:

ArjoHuntleigh AB
Verkstadsvägen 5
241 38 Eslöv
SWEDEN

☎: +46 (0) 10-335 45 00

📠: +46 (0) 413-138 76

🌐: www.ArjoHuntleigh.com

Definitions Used in this Manual

WARNING:

Means: Failure to understand and follow this instruction may result in injury to yourself and others.

CAUTION:

Means: Failure to follow this instruction may cause damage to the product(s).

NOTE:

Means: Important information regarding correct use of the product.

Safety Instructions

Intended Use

The *KWIKtrak Gate* system is a track accessory to be used with the *KWIKtrak* track system and a fixed ceiling lift in a homecare setting, at nursing homes and other assisted living centers. The gate system allows the ceiling lift to travel from a mobile track to a fixed track and vice versa. Patient transferring is performed under the supervision of an appropriately trained caregiver staff in accordance with the instructions outlined in this manual. All other uses must be avoided.

The equipment must only be used for the purposes stated above, and must be installed by ArjoHuntleigh authorized personnel and in accordance with local codes.

WARNING: The *KWIKtrak Gate* system is not intended to be operated by the patient. In the event of a malfunction, patient could get stuck.

WARNING: The *KWIKtrak Gate* system is for transferring patients only. Do not use the equipment for any other purpose.

Using this equipment outside the scope of its intended use could lead to injuries.

Operational Life

This track accessory is designed and tested for a useful life of 10 000 cycles at maximum safe working load (SWL), subject to preventive maintenance as specified in the "Care and Maintenance" section.

A complete cycle is achieved when the gate is unlocked to allow the ceiling lift to exit the mobile track and locked after the ceiling lift has returned onto the mobile track.

Time equivalence between the number of cycles versus the number of years is made clear in the following table.

Cycles per Day	Years (10,000 transfers)
4	7
6	4.5
8	3.5

WARNING: The manufacturer cannot ensure full safety for an accessory of which the life span has been exceeded. Wear may cause the breakage of a part and lead to a patient fall.

The operating life of this equipment corresponds directly to the safe operating time period before a complete overhaul is required. Aging of the equipment, frequency of use (cycles per day), the weight of the resident and maintenance frequency are factors that have an impact on the *KWIKtrak Gate* system's life span.

Product Identification

The product's identification number (specification, model, serial number) appears on labels on both the motor and fixed boxes, see "Fig. 1" on page 5 for labels positioning.

How to Use this Manual

To ensure the safe operation of the *KWIKtrak Gate* system, read the entire manual carefully before operating this equipment.

If anything is not completely understood, please contact your local ArjoHuntleigh representative for more details. Failure to comply with warnings in this manual may result in injuries.

Keep this manual handy and refer to it as required. Make sure that all operators are regularly trained in the use of the equipment according to the information found therein.

The equipment must be used in accordance with these safety instructions.

Anyone using the equipment must also have read and understood the instructions in this manual.

If there is anything you are not sure about, contact your local ArjoHuntleigh representative.

Safe Working Load

The *KWIKtrak Gate* system has been designed to be used with ArjoHuntleigh ceiling lifts with a safe working load of 272 kg (600 lb) or less.

WARNING: The *KWIKtrak Gate* system is intended to be used for residents whose weight is within a specified safe working load (SWL). Do not attempt to lift more than the lowest weight limit indicated on the following:

- the track system
- the “maximum load” label on the ceiling lift
- on the spreader bar
- on the sling.

Overloading any of these elements could lead to a patient fall.

Important Safety Directions

NOTE: ArjoHuntleigh’s *KWIKtrak Gate* System is specifically designed for *KWIKtrak* track systems and ArjoHuntleigh’s ceiling lifts series #910XXXX, #911XXXX, #913XXXX, #923XXXX, #LDXXXXX and MSX1X-XX-XX.

CAUTION: Always keep components of the *KWIKtrak Gate* system clean and dry and ensure that the daily check is carried out before using the lift as instructed in the “Care and Maintenance” section.

WARNING: It is unsafe to interconnect this product with other products not described in the instruction herein.

Shock Prevention

- Do not splash or expose the device to water or moisture.
- Do not attempt to expose, service or repair the *KWIKtrak Gate*. If any unit is defective, contact your local ArjoHuntleigh vendor.

Environmental Advice

When disposing of any items associated with the product, contact the appropriate local authorities for information.

Homecare Environment Considerations












WARNING: This product contains small parts that might present a choking hazard for children if swallowed or inhaled.

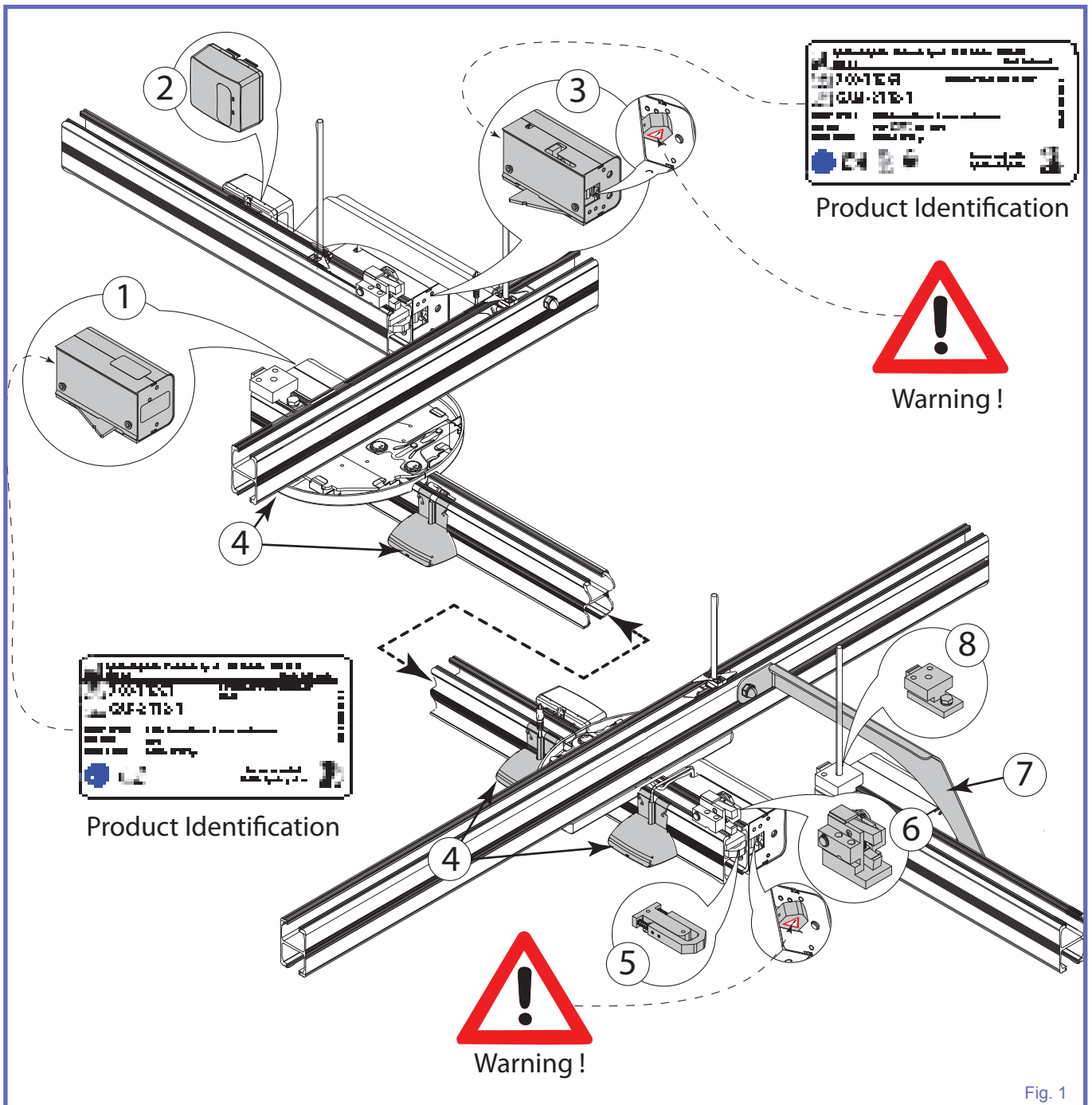
WARNING: The *KWIKtrak Gate* is not intended to be operated by children. Serious injuries could occur.

NOTE: Rigorous cleaning actions should be done when the *KWIKtrak Gate* is exposed to an animal. Pet hair trapped inside the device can reduce the product performance.

Symbols Used

General Symbols

	This symbol points out the manufacturer's name and address. May also point out manufacturing date.
	This symbol means that the product complies with the medical device directive 93/42/EEC.
	This symbol points out the manufacturer's catalogue number.
	This symbol points out the manufacturer's serial number.
	"Separate collection" for all batteries and accumulators as per the WEEE Directive.
SWL	SWL is the maximum load the device is rated for safe usage.
	This symbol means that the item can be recycled.
	This symbol means that you must refer to the Instructions for Use (IFU).
IPN₁N₂	Degree of protection provided by enclosure. N1: Ingress of particles, N2: Ingress of water.
	Conforms to CSA standards.
	Direct current.
	Alternating current.
	Warning symbol. Whenever this symbol becomes visible on the Gate System, the product is not safe to use.



Legend

- 1) KWIKtrak Gate fixed track box
- 2) Energy reserve box
- 3) KWIKtrak Gate motor box
- 4) Double contact box
- 5) KWIKtrak Gate DF Locker
- 6) KWIKtrak Gate clamp block
- 7) KWIKtrak Gate reinforcement kit
- 8) KWIKtrak Gate fixed block

How to use the *KWIKtrak Gate*

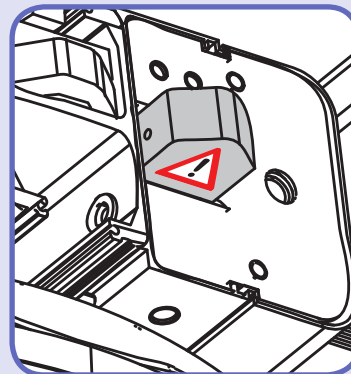
Crossing the Gate

WARNING:

If you see the warning symbol appearing at the end of the track, and the mobile track is not aligned with the fixed track, **DO NOT** use the gate system.

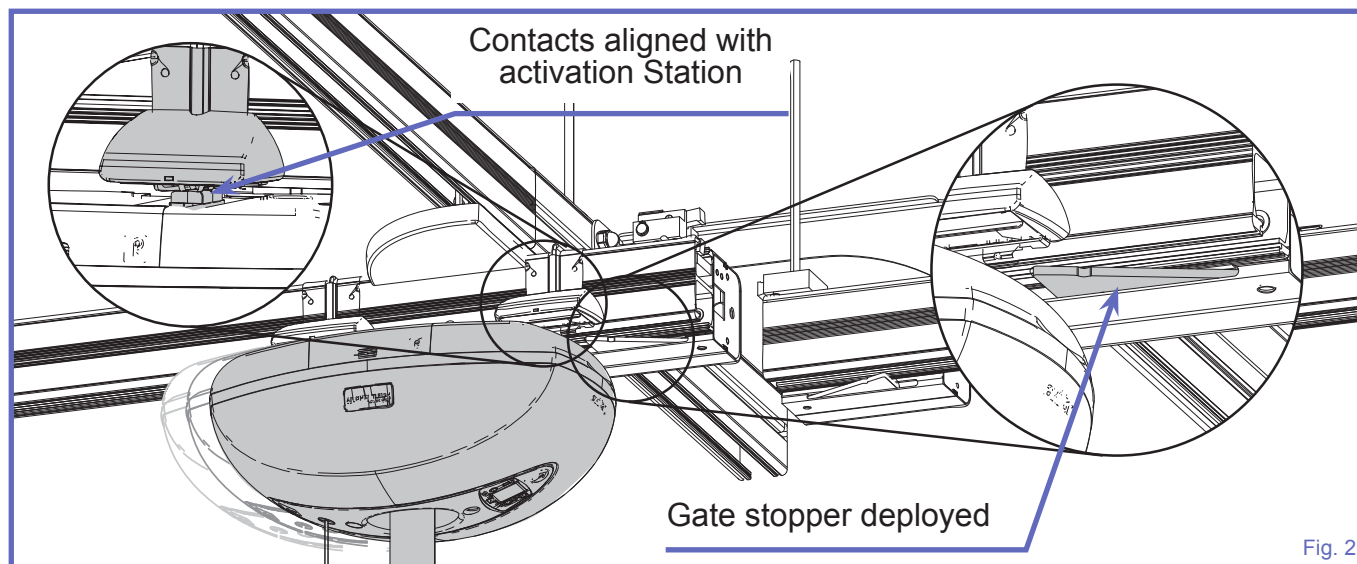
Using the gate when the warning symbol is visible could lead to a patient fall.

Contact ArjoHuntleigh for assistance.

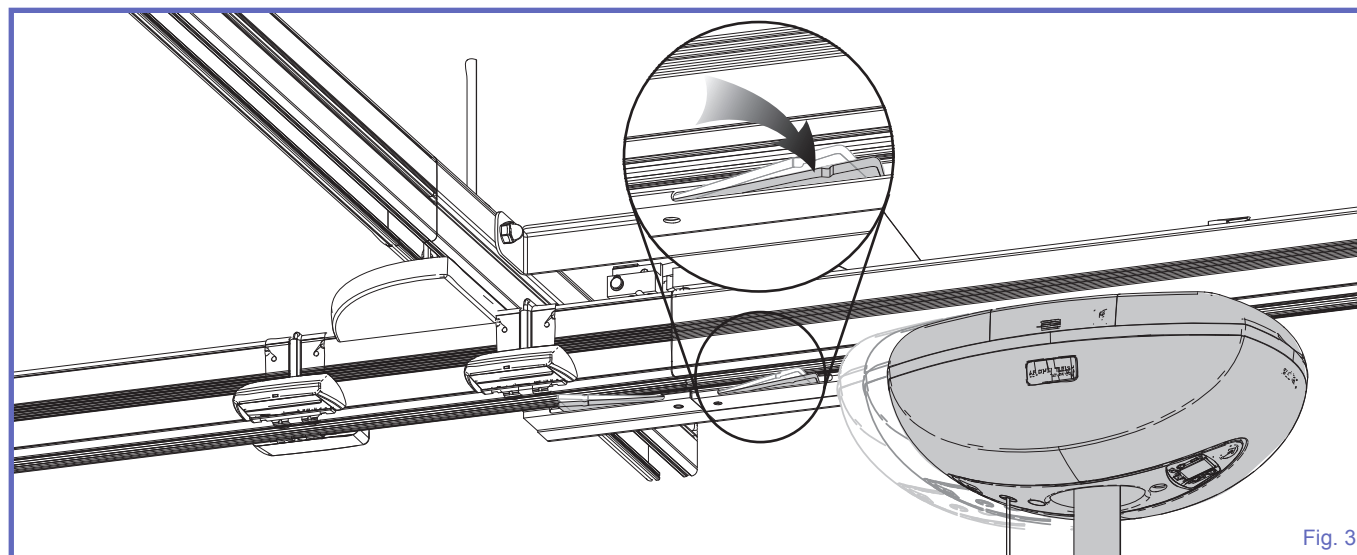


Using the Gate System

- 1) With the ceiling lift turned on, move it to the activation station next to the gate stopper.

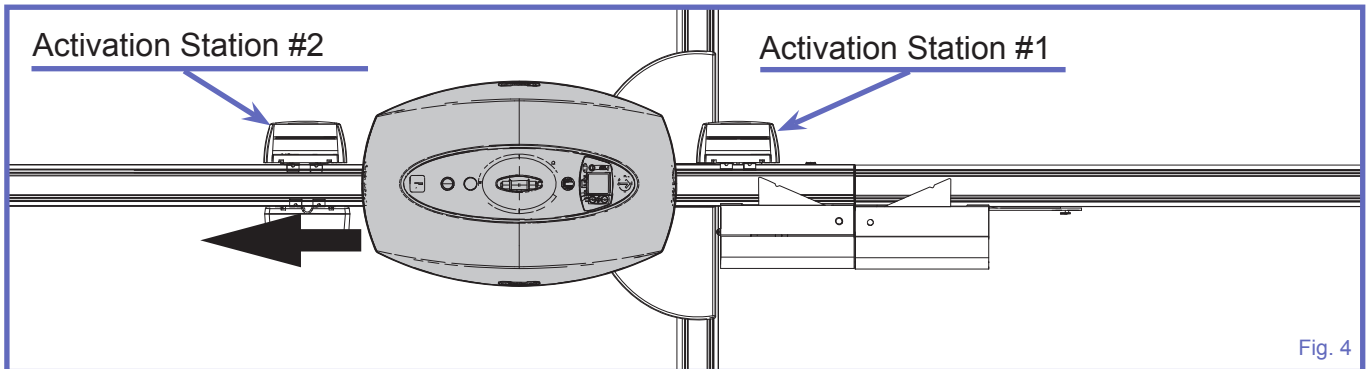


- 2) Align the mobile track with the fixed track. The gate will clamp both tracks together and the gate stopper will retract allowing the lift to pass through the gate.



- 3) Move the ceiling lift onto the fixed track.

- 4) When the ceiling lift is returned under activation station #2, the gate stoppers will go back to their closed position, blocking the end of the tracks.



- 5) The X-Y's mobile track can again travel freely.

NOTE: The ceiling lift must always be routed slowly under an activation station. If the lift is moved too quickly, it may not be detected by the station and the gate's position would remain unchanged. To close the gate, move the lift slowly under activation station #2.

Troubleshooting

In the event the gate system is malfunctioning, check for the following:

- Make sure the ceiling lift unit is on. The power status LED must be illuminated;
- the tracks are aligned when the gate needs to be operated;
- the lift unit is not resting against the gate stopper;
- the contact blades on the ceiling lift unit making good contact with the activation station when trying to lock or unlock the gate system.

If the gate system still fails to function properly after all these checks, or if the gate emits a beeping sound, contact your local ArjoHuntleigh representative for assistance.

Care and Maintenance

Preventive Maintenance Schedule

The *KWIKtrak Gate* is subject to wear and tear, and the following actions must be performed when specified to ensure that the product remains within its original manufacturing specification.

WARNING: The points on this checklist are the minimum the manufacturer recommends. In some cases more frequent inspections should be carried out. Continuing to use this equipment without conducting regular inspections will seriously compromise the user and resident/patient's safety. Preventive maintenance specified in this manual can prevent accidents.

WARNING: Safety related maintenance and authorized service must be carried out by qualified personnel, fully trained in servicing procedures by ArjoHuntleigh, and equipped with correct tools and proper documentation, including Parts List and Service Manual. Failure to meet these requirements could result in personal injuries and/or unsafe equipment.

POINTS TO BE INSPECTED BY USER/SERVICE TECHNICIAN	FREQUENCY		
	Annually or 3000 cycles		
	Before every use		
	Initially	↓	↓
Inspect for evidence of external damage or missing parts.	•	•	
Make sure that the activation stations are clean.			•
Make sure that the gate stoppers are fully deployed, indicating that the gate is closed.		•	
No beeping sound from motor box.		•	

Annual Inspection by an Authorized Technician

The *KWIKtrak Gate* system must be inspected by a qualified ArjoHuntleigh technician on an annual basis to ensure the proper functioning of its components, as well as the safety of the patients and care givers that use the equipment. Please contact your local representative to make arrangements.

NOTE: If the product does not work as intended, immediately contact your local ArjoHuntleigh representative for support.

Cleaning

To clean the *KWIKtrak Gate* system, wipe it down with a damp cloth using warm water and a disinfectant cleaner.

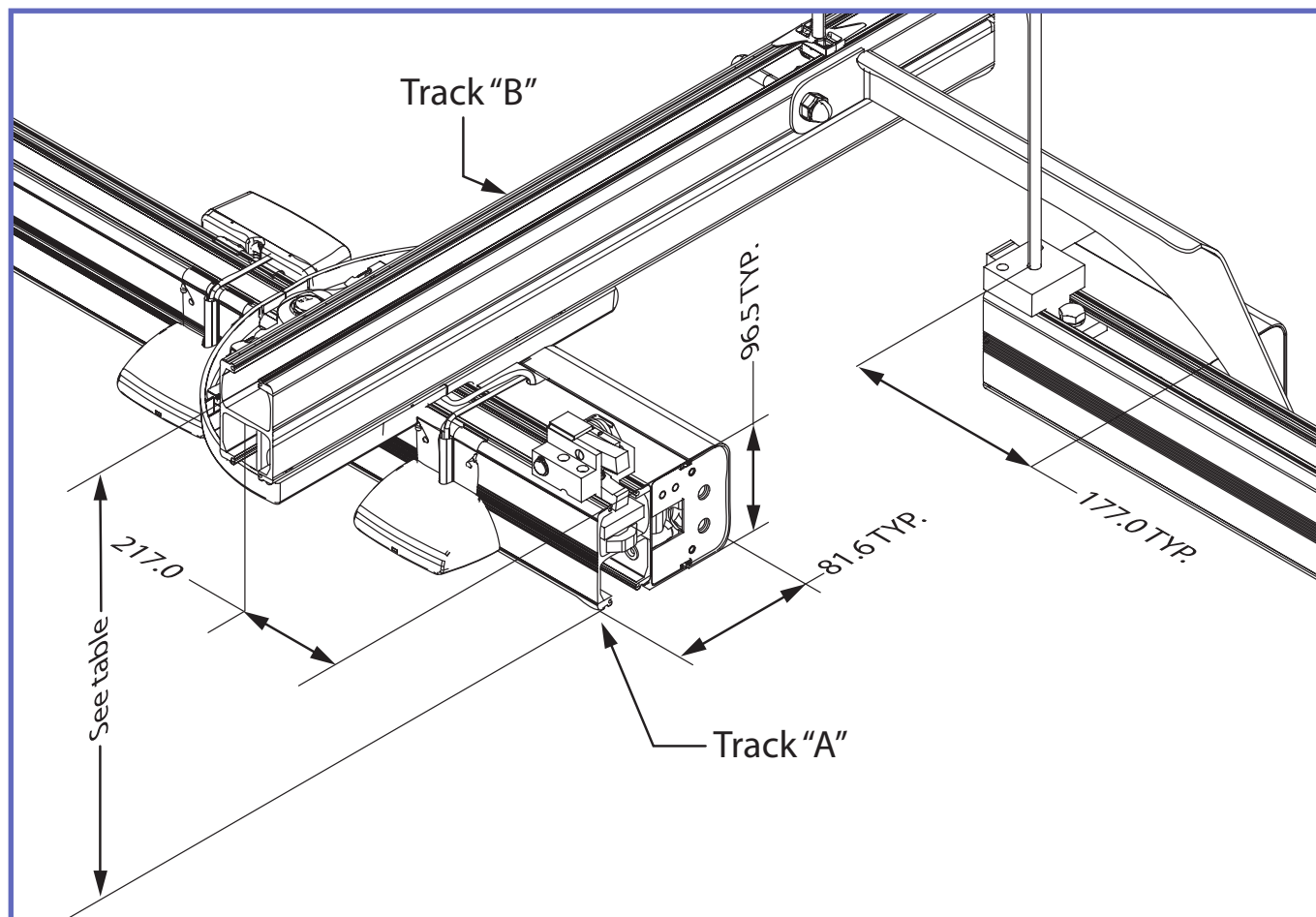
Do not use phenol, chlorine or any other type of solvent that may damage the finish.

Technical Specifications

PRODUCT INFORMATION	
<i>KWIKtrak Gate</i> SYSTEM	
Total weight	7 kg (15.4 lb)
Max. safe working load	272 kg (600 lb)
ELECTRICAL	
Degree of protection (IP code)	IP21
Rating	24 VDC, 5 A max.
Duty cycle	10% (6 min./hour), max. 1 min continuously
Sound power level (dBA)	<65 dBA
<p>The <i>KWIKtrak Gate</i> meets the requirements of Electromagnetic Compatibility (EMC) as stated in clause 12.5 of the Medical Devices Directive 93/42/EEC.</p> <p>The <i>KWIKtrak Gate</i> system is compliant with CAN/CSA C22.2 No. 601.1 (SUP1+AM2), UL 60601 1, CAN/CSA-C22.2 No. 60601-1-08, ANSI/AAMI ES60601-1:2005, and designed according to ISO 10535: 2006.</p>	
<p>WARNING: Wireless communications equipment such as wireless home network devices, mobile phones, cordless telephones and their base stations, walkie-talkies, etc. can affect the <i>KWIKtrak Gate</i> system and should be kept at least 2.3 m away from it. Cables from potentially strong sources of electromagnetic fields should not be placed near the unit.</p>	
ENVIRONMENTAL CONDITIONS	
Ambient temperature range	Operation: 5° to 40°C (+41 to +104 °F) Storage: - 25 to 40°C (-13 to 104°F)
Relative humidity range	Operation: 15 to 93% non-condensing Storage: < 94%, non condensing
Atmospheric pressure range	Operation: 700 hPa to 1060 hPa (2000 m max) Storage: 500 hPa to 1060 hPa
<p>WARNING: Product is not suitable in the presence of flammable anaesthetic mixture with air or oxygen, or with nitrous oxide.</p>	
RECYCLING	
Package	Cardboard recycleable
Gate system	Separated and recycled, according to the European Directive 2002/96/EG (WEEE).

Product Dimensions

Dimensions



Tracks		Height
A	B	
H90	H90	200 mm
H90	H140	253 mm
H90	H180	293 mm
H140	H140	306 mm
H140	H180	346 mm
H180	H180	386 mm

Fig. 5

Electromagnetic Compatibility

Electromagnetic Compliance

The *KWIKtrak Gate* has been tested for compliance with current regulatory standards regarding its capacity to block EMI (electromagnetic interference) from external sources.

Nonetheless, some procedures can help reduce electromagnetic interferences:

- Use only ArjoHuntleigh cables and spare parts to avoid increased emissions or decreased immunity which can compromise the correct functioning of the equipment.
- Ensure that other devices in patient-monitoring and/or life-support areas comply to accepted emissions standards.
- Maximize the distance between electro-medical devices. High-powered devices may produce EMI that can affect the ceiling lift. Refer to separation distance table further on in this document.

For more information on how to manage the unit's RF electromagnetic environment, please consult the AMI TIR 18-1997 - Guidance on Electromagnetic Compatibility of Medical Devices for Clinical/Biomedical Engineers.

Electromagnetic Emissions

Guidance and Manufacturer's Declaration - Electromagnetic Emissions - For all Equipment and Systems		
The <i>KWIKtrak Gate</i> is intended for use in the electromagnetic environment indicated below. The customer or the user of the <i>KWIKtrak Gate</i> should assure that it is used in such an environment.		
Emissions test	Compliance	Electromagnetic environment - guidance
RF emissions CISPR 11	Group 1	The <i>KWIKtrak Gate</i> uses RF energy only for its internal function. Therefore, its RF emissions are very low and are not likely to cause any interference in nearby electronic equipment.
RF emissions CISPR 11 IEC 61000-3-2	Class B	The <i>KWIKtrak Gate</i> is suitable for use in all establishments, including domestic establishments and those directly connected to the public low-voltage power supply network that supplies buildings used for domestic purposes.
Harmonic emissions	Not applicable	
Voltage fluctuations/flicker emissions IEC 61000-3-3	Not applicable	

Electromagnetic Immunity


Guidance and Manufacturer's Declaration - Electromagnetic Immunity - For all Equipment and Systems

The *KWIKtrak Gate* is intended for use in electromagnetic environment specified below. The customer or the user of the *KWIKtrak Gate* should assure that it is used in such an environment.

Immunity test	IEC 60601 test level	Compliance level	Electromagnetic environment - guidance
Electrostatic discharge (ESD) IEC 61000-4-2	±6 kV contact ±8 kV air	±6 kV contact ±8 kV air	Floors should be wood, concrete or ceramic tile. If floors are covered with synthetic material, the relative humidity should be at least 30%.
Electrical fast transient/burst IEC 61000-4-4	±2 kV for power supply lines ±1 kV for input/output lines	±2 kV for power supply lines Not applicable for input/output lines	Mains power quality should be that of a typical commercial or hospital environment.
Surge IEC 61000-4-5	±1 kV differential mode ±2 kV for input/output	Not applicable	Mains power quality should be that of a typical commercial or hospital environment.
Voltage dips, short interruptions and voltage variations on power supply input lines IEC 61000-4-11	<5% UT (>95% dip in UT) for 0.5 cycle 40% UT (60% dip in UT) for 5 cycles 70% UT (30% dip in UT) for 25 cycles <5% UT (>95% dip in UT) for 5 sec.	Not applicable	Mains power quality should be that of a typical commercial or hospital environment. If the user of the <i>KWIKtrak Gate System</i> requires continued operation during power mains interruptions, it is recommended that the <i>KWIKtrak Gate System</i> be powered from an uninterruptible power supply or a battery.
Power frequency (50/60 Hz) magnetic field	3 A/m	3 A/m	Power frequency magnetic fields should be at levels characteristic of a typical location in a typical commercial or hospital environment.

NOTE: UT is the AC mains voltage prior to application of the test level.

(continued)

Guidance and Manufacturer's Declaration - Electromagnetic Immunity - For Equipment and Systems that are Not Life-Supporting			
Immunity test	IEC 60601 test level	Compliance level	Electromagnetic environment - guidance
Conducted RF IEC 61000-4-6	3 Vrms 150 kHz to 80 Mhz	10 Vrms 150 kHz to 80 Mhz	<p>Portable and mobile RF communications equipment should be used no closer to any part of the <i>KWIKtrak Gate</i> including cables, than the recommended separation distance calculated from the equation applicable to the frequency of the transmitter.</p> <p>Recommended separation distance</p> $d = \left[\frac{3.5}{3} \right] \sqrt{P} \quad 150 \text{ KHz to } 80 \text{ MHz}$ $d = \left[\frac{3.5}{10} \right] \sqrt{P} \quad 80 \text{ MHz to } 800 \text{ MHz}$ $d = \left[\frac{7}{10} \right] \sqrt{P} \quad 800 \text{ MHz to } 2.5 \text{ GHz}$
Radiated RF IEC 61000-4-3	3 V/m 80 MHz to 2.5 GHz	10 V/m 80 MHz to 2.5 GHz	<p>where P is the maximum output power rating of the transmitter in watts (W) according to the transmitter manufacturer and d is the recommended separation distance in meters.</p> <p>Field strengths from fixed RF transmitters, as determined by an electromagnetic site survey, (a) should be less than the compliance level in each frequency range. (b)</p> <p>Interference may occur in the vicinity of equipment marked with the following symbol:</p> 
NOTE 1: At 80 MHz and 800 MHz, the higher frequency range applies.			
NOTE 2: These guidelines may not apply in all situations. Electromagnetic propagation is affected by absorption and reflection from structures, objects and people.			
(a) Field strengths from fixed transmitters, such as base stations for radio (cellular/cordless) telephones and land mobile radios, amateur radio, AM and FM radio broadcast and TV broadcast cannot be predicted theoretically with accuracy. To assess the electromagnetic environment due to fixed RF transmitters, an electromagnetic site survey should be considered. If the measured field strength in the location in which the <i>KWIKtrak Gate</i> is used exceeds the applicable RF compliance level above, the <i>KWIKtrak Gate</i> should be observed to verify normal operation. If abnormal performance is observed, additional measures may be necessary, such as reorienting or relocating the <i>KWIKtrak Gate</i>			
(b) Over the frequency range 150 kHz to 80 MHz, field strengths should be less than 3 V/m.			

001-11502-EN rev. 6

(continued)

Recommended Separation Distance Between - Portable and Mobile RF Communications Equipment and the <i>KWIKtrak Gate</i> for Equipment and Systems that are not Life-Supporting			
Recommended separation distances between portable and mobile RF communications equipment and the <i>KWIKtrak Gate</i>			
The <i>KWIKtrak Gate</i> is intended for use in electromagnetic environment in which radiated RF disturbances are controlled. The customer or the user of the <i>KWIKtrak Gate</i> can help prevent electromagnetic interference by maintaining a minimum distance between portable and mobile RF communication equipment (transmitters) and the <i>KWIKtrak Gate</i> as recommended below, according to the maximum output power of the communications equipment.			
Rated maximum output power of transmitter W	Separation distances according to frequency of transmitter m		
	150 KHz to 80 MHz	80 MHz to 800 MHz	800 MHz to 2.5 GHz
	$d = \left[\frac{3.5}{3} \right] \sqrt{P}$	$d = \left[\frac{3.5}{10} \right] \sqrt{P}$	$d = \left[\frac{7}{10} \right] \sqrt{P}$
0.01	0.12	0.12	0.23
0.1	0.38	0.38	0.73
1	1.2	1.2	2.3
10	3.8	3.8	7.3
100	12	12	23
For transmitters rated at a maximum output power not listed above, the recommended separation distance d in metres (m) can be estimated using the equation applicable to the frequency of the transmitter, where P is the maximum output power rating of the transmitter in watts (W) according to the transmitter manufacturer.			
NOTE 1: At 80 MHz and 800 MHz, the separation distance for the higher frequency range applies.			
NOTE 2: These guidelines may not apply in all situations. Electromagnetic propagation is affected by absorption and reflection from structures, objects and people.			

Electromagnetic Immunity

AUSTRALIA

ArjoHuntleigh Pty Ltd
78, Forsyth street
O'Connor
AU-6163 Western Australia
Tel: +61 89337 4111
Free: +1 800 072 040
Fax: + 61 89337 9077

BELGIQUE / BELGIË

ArjoHuntleigh NV/SA
Evenbroekveld 16
B-9420 ERPE-MERE
Tél/Tel: +32 (0) 53 60 73 80
Fax: +32 (0) 53 60 73 81
E-mail: info@arjohuntleigh.be

CANADA

ArjoHuntleigh
90 Matheson Boulevard West
Suite 300
MISSISSAUGA, ON, L5R 3R3
Tel/Tél: +1 905 238 7880
Free: +1 800 665 4831 Institutional
Free: +1 800 868 0441 Home Care
Fax: +1 905 238 7881
E-mail: info.canada@arjohuntleigh.com

ČESKÁ REPUBLIKA

ArjoHuntleigh s.r.o.
Hlinky 118
CZ- 603 00 BRNO
Tel: +420 549 254 252
Fax: +420 541 213 550

DANMARK

ArjoHuntleigh A/S
Vassingerødvej 52
DK-3540 LYNGE
Tel: +45 49 13 84 86
Fax: +45 49 13 84 87
E-mail: info.dk@arjohuntleigh.com

DEUTSCHLAND

ArjoHuntleigh GmbH
Peter-Sander-Strasse 10
D-55252 MAINZ-KASTEL
Tel: +49 (0) 6134 186 0
Fax: +49 (0) 6134 186 160
E-mail: info-de@arjohuntleigh.com

ΕΛΛΑΔΑ

C. Psimitis Co Ltd
Dimitriou Andr. 59
GR-16121 KAISARIANI ATTIKIS
Τηλ: 21 0724 36 68
Φάξ: 21 0721 55 53

ESPAÑA

ArjoHuntleigh Ibérica S.L.
Ctra. de Rubí, 88 1ª planta - A1
08173 Sant Cugat del Vallés
ES- BARCELONA 08173
Tel: +34 93 583 11 20
Fax: +34 93 583 11 22
E-mail: info.es@arjohuntleigh.com

FAR EAST

ARJO Far East Limited
Unit 3A, 4/F., block B Hoi Luen
Industrial Centre
55 Hoi Yuen Road,
Kwun Tong, Kowloon
HONG KONG
Tel: +852 2508 9553
Fax: +852 2508 1416

FRANCE

ArjoHuntleigh SAS
2 Avenue Alcide de Gasperi
CS 70133
59436 RONCQ CEDEX
Tél: +33 (0) 3 20 28 13 13
Fax: +33 (0) 3 20 28 13 14
E-mail : info.france@arjohuntleigh.com

INTERNATIONAL

ArjoHuntleigh International Ltd.
ArjoHuntleigh House
Houghton Hall Park
Houghton Regis
UK-DUNSTABLE LU5 5XF
Tel: +44 (0) 1582 745 800
Fax: +44 (0) 1582 745 866
E-mail:
international@ArjoHuntleigh.com

ITALIA

ArjoHuntleigh S.p.A.
Via di Tor Vergata 432
00133 ROMA - ITALIA
Tel: +39 (0) 6 87426211
Fax: +39 (0) 6 87426222
E-mail: Italy.promo@arjohuntleigh.com

NEDERLAND

ArjoHuntleigh Nederland BV
Biezenwei 21
4004 MB TIEL
Postbus 6116
4000 HC TIEL
Tel: +31 (0) 344 64 08 00
Fax: +31 (0) 344 64 08 85
E-mail: info.nl@arjohuntleigh.com

NEW ZEALAND

ArjoHuntleigh Ltd
41 Vestey Drive
Mount Wellington
AUCKLAND 1060
Tel: +64 (0) 9 573 5344
Free Call: 0800 000 151
Fax: +64 (0) 9 573 5384
E-mail: nz.info@ArjoHuntleigh.com

NORGE

ArjoHuntleigh Norway AS
Ryenstubben 2
NO-0679 OSLO
Tel: +47 22 08 00 50
Faks: +47 22 08 00 51
E-mail: no.kundeservice@arjohuntleigh.com

POLSKA

ArjoHuntleigh Polska Sp. z o.o.
ul. Ks Piotra Wawrzyniaka 2
PL 62-052 KOMORNIKI (Poznan)
Tel: +48 61 662 15 50
Fax: +48 61 662 15 90
E-mail: arjo@arjohuntleigh.com

PORTUGAL

ArjoHuntleigh em Portugal:
MAQUET Portugal, Lda. (Distribuidor Exclusivo)
Rua Poeta Bocage n.º 2 - 2G
1600-233 Lisboa, Portugal
Tel: +351 214 189 815
Fax: +351 214 177 413
E-mail: Portugal@arjohuntleigh.com

SUISSE / SCHWEIZ

ArjoHuntleigh AG
Fabrikstrasse 8
Postfach
4614 Hägendorf,
Tél/Tel: +41 (0) 61 337 97 77
Fax: +41 (0) 61 311 97 42

SUOMI

ArjoHuntleigh OY
Vanha Porvoontie 229
FI-01380 VANTAA
Puh: +358 9 4730 4320
Faksi: +358 9 4730 4999

SVERIGE

ARJO Scandinavia AB
Verkstadsvägen 5
Box 61
SE-241 21 ESLÖV
Tel: +46 (0) 10-335 45 00
Fax: +46 (0) 413-138 76
E-mail: kundservice@arjohuntleigh.com

UNITED KINGDOM

ArjoHuntleigh UK
ArjoHuntleigh House
Houghton Hall Park
Houghton Regis
UK-DUNSTABLE LU5 5XF
Tel: +44 (0) 1582 745 700
Fax: +44 (0) 1582 745 745
E-mail:
sales.admin@ArjoHuntleigh.com

USA

ArjoHuntleigh Inc.
2349 W Lake Street Suite 250
Addison, IL 60101
Tel: +1 630 307 2756
Free: +1 800 323 1245 Institutional
Free: +1 800 868 0441 Home Care
Fax: +1 630 307 6195
E-mail: us.info@ArjoHuntleigh.com

ÖSTERREICH

ArjoHuntleigh GmbH
Dörrstrasse 85
AT-6020 INNSBRUCK
Tel: +43 (0) 512 204 160 0
Fax: +43 (0) 512 204 160 75

ARJOHUNTLEIGH

GETINGE GROUP

GETINGE GROUP is a leading global provider of products and systems that contribute to quality enhancement and cost efficiency within healthcare and life sciences. We operate under the three brands of **ArjoHuntleigh**, **GETINGE** and **MAQUET**. **ArjoHuntleigh** focuses on patient mobility and wound management solutions. **GETINGE** provides solutions for infection control within healthcare and contamination prevention within life sciences. **MAQUET** specializes in solutions, therapies and products for surgical interventions and intensive care.

www.ArjoHuntleigh.com

 **ArjoHuntleigh AB**
Verkstadsvägen 5
241 38 Eslöv
SWEDEN

