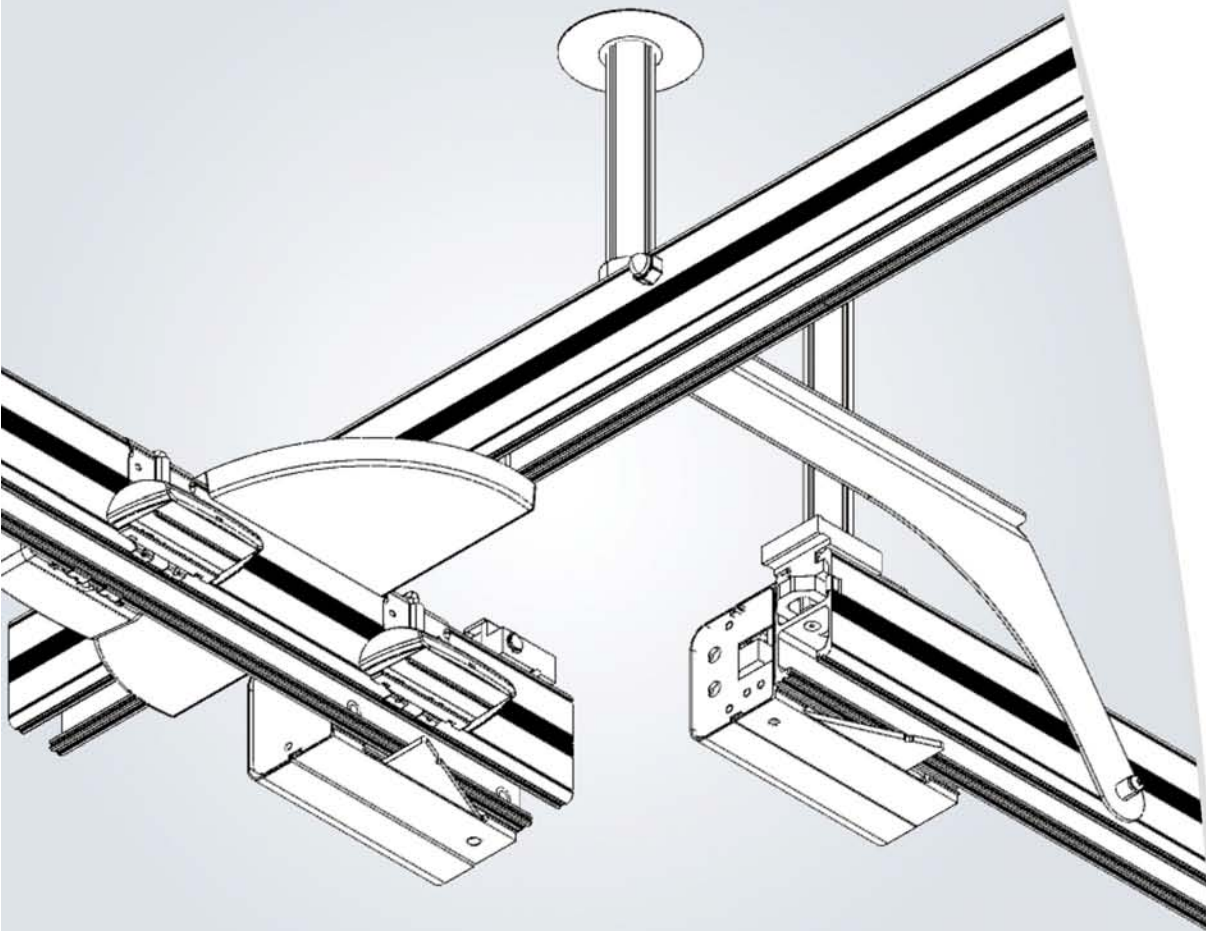


KWIKtrak Gate System
Parts List



CE

Design Policy and Copyright

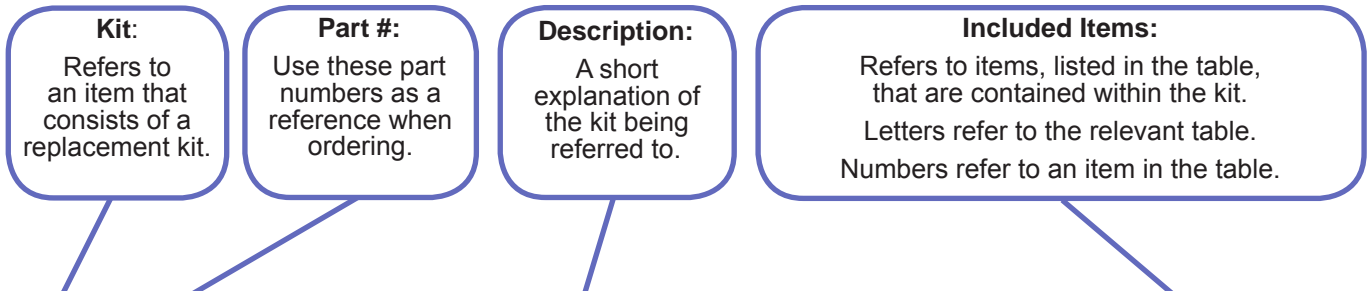
® and ™ are trademarks belonging to the ArjoHuntleigh group of companies.
© ArjoHuntleigh 2013.

As our policy is one of continuous improvement, we reserve the right to modify designs without prior notice. The content of this publication may not be copied either whole or in part without the consent of ArjoHuntleigh.

Table of Contents

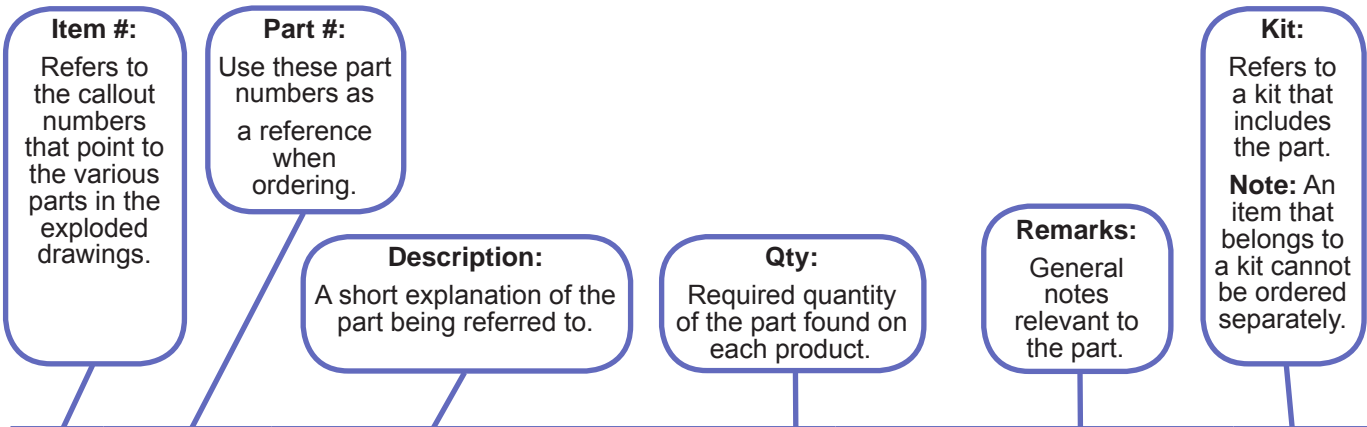
How to Read Parts List Tables	4
General Information	5
KWIKtrak Single Gate System Revision History.....	5
Exploded Views	6
A - KWIKtrak Gate System Service Kits	6
B - Simple Gate System (700-11502).....	7
C - Double Gate System (700-11507 and 700-11508)	8
D - DF Gate Locker.....	10
E - Fixed Box	11
F - Motor Box.....	12
G - Double Contact Stations	14
H - 3-Contact Interface for Cross Shaped Trolley.....	15
J- Gate Clamp Block.....	16
K - Fixed Block.....	17
L - Energy Reserve Box.....	18
M - Reinforcement Bracket Kit.....	19
N - Gate Alignment System	20
P - KWIKtrak Fixed Box Retrofit - K8 (700-11522)	21
Q - Simple Gate Retrofit Service Kit - K11 (700-11520)	22
R - Double Gate Retrofit Service Kit - K12 (700-11521).....	23

How to Read Parts List Tables



A *REPLACEMENT KITS TABLE*

Item	Part #	Description	Included Items
K1	700-00001	FIRST REPLACEMENT KIT	B2
K2	700-00002	SECOND REPLACEMENT KIT	B6-B7
K3	700-00003	THIRD REPLACEMENT KIT	B1, B3-B4
K4	700-00004	FOURTH REPLACEMENT KIT	B5



B *PARTS DETAIL TABLE*

Item	Part #	Description	Qty	Remarks	Kit
1	001-00001	FIRST PART	2		K3
2	001-00002	SECOND PART	2		K1
3	001-00003	THIRD PART	2		K3
4	001-00004	FOURTH PART	1		K3
5	001-00005	FIFTH PART	2		K4
6	001-00006	SIXTH PART	8		K2
7	001-00007	SEVENTH PART	2		K2

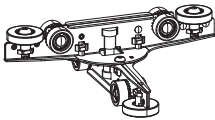
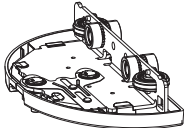
Legend

- 1 → Callout for single item
- ① --- Callout for assembly kit
- Assembly lines above components
- Assembly lines behind components
- Text in Green Highlights changes from previous revision

KWIKtrak Single Gate System Revision History

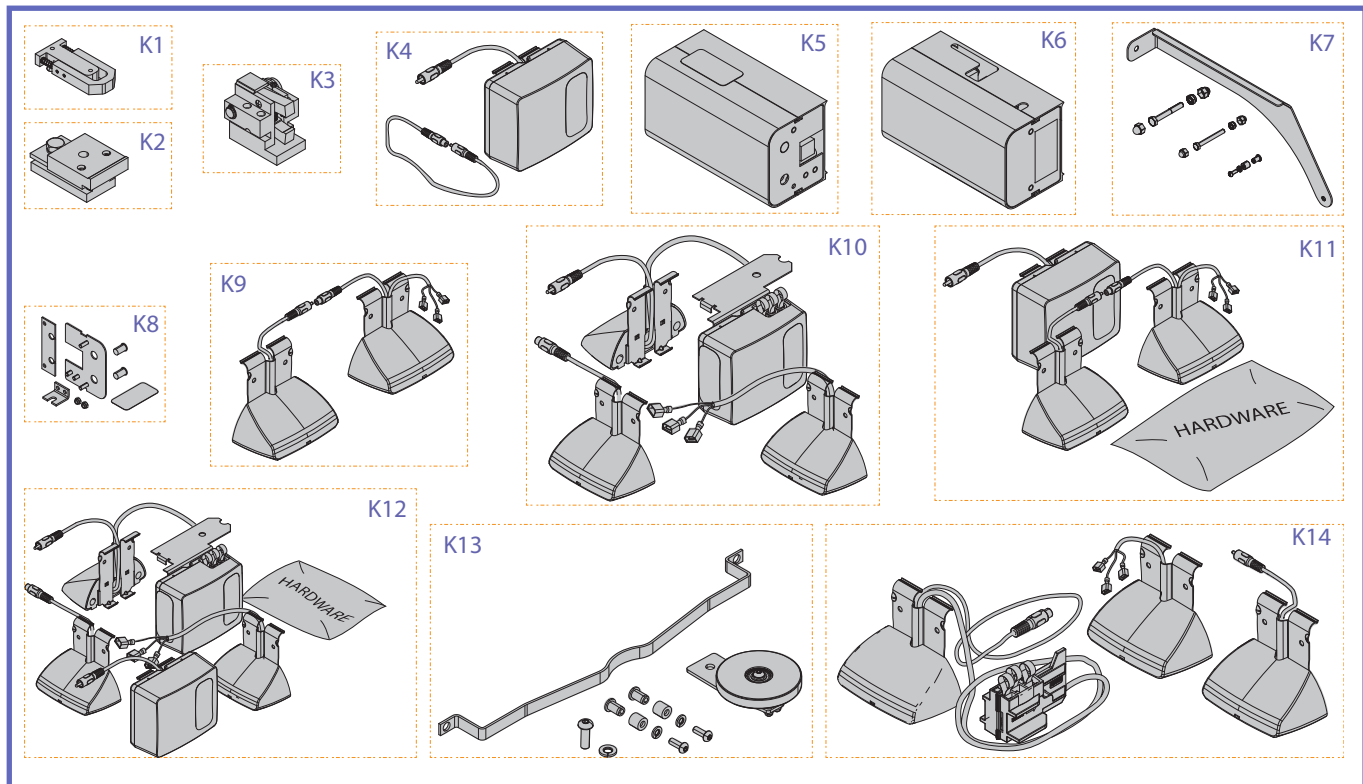
SINGLE GATE SYSTEM				
Part №	Change	Status	Serial №	Remarks
			From - To	
700.11500	Initial Design	Obsolete	GA-****- 00001	Use retrofit kit № 700-11520
700-11501	Introduction of the DF Locker		GA-****-01961	
700-11502	Introduction of the Dual Magnetic Sensor Contact station replaced with two separate stations	In use	GAT-****- 00001 GAT-****-	

DOUBLE GATE SYSTEM				
Part №	Change	Status	Serial №	Remarks
			From - To	
700.11505	Initial Design	Obsolete	GA-****- 00001	Use retrofit kit № 700-11521
700-11506	Introduction of the DF Locker		GA-****-01961	
700-11507	Introduction of the Dual Magnetic Sensor Contact station replaced with two separate stations	In use	GAT-****- 00001 GAT-****-	See XY Trolley Compatibility Table
700-11508	Introduction of a 3-Contact Interface for Universal Trolleys			

XY TROLLEY COMPATIBILITY		
Part №	Compatibility Remarks	
700.11505 700-11506 700-11507	The 3-Contact Interface included with these systems are only compatible with Cross Shaped Trolleys.	 Cross shaped
700-11508	The 3-Contact Interface included with this system is only compatible with Universal Trolleys.	 Universal

Exploded Views

A - KWIKtrak Gate System Service Kits



A KWIKTRAK GATE SYSTEM SERVICE KITS				
ITEM	PART #	DESCRIPTION	INCLUDED ITEMS	NOTE
K1	700-11510	KWIKtrak Gate DF Locker Kit	D1 - D9	
K2	700.11580	KWIKtrak Gate Fixed Block Kit	K1 - K5	
K3	700.11570	KWIKtrak Gate Clamp Block Kit	J1 - J9	
K4	700.11590	Energy Reserve Box Kit	L1 - L8	
K5	700-11551	KWIKtrak Gate Fixed Box Kit	E1 - E30	(1)
K6	700-11561	KWIKtrak Gate Motor Box Kit	F1 - F42	(1)
K7	700.11635	KWIKtrak Gate Reinforcement Kit	M1 - M11	
K8	700-11522	KWIKtrak Fixed Box Retrofit Kit	P1 - P6	
K9	700-11566	Double Contact Box Kit	G1 - G10	
K10	700-11568	3-Contact Interface Kit for Cross Shaped	H1 - H20	(2)
K11	700-11520	Simple Gate System Retrofit Kit	Q1 - Q16	
K12	700-11521	Double Gate System Retrofit Kit	R1 - R17	(2)
K13	700-11216	Gate Alignment System Kit	N1 - N8	(2)
K14	700-11569	3-Contact Interface Kit for Universal Trolleys	-	(3)

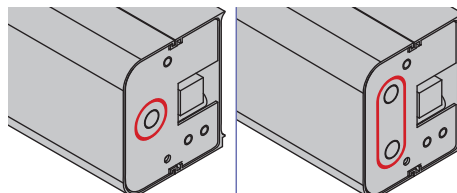


Instruction For Use
№ 001-11502.**

** Last 2 characters varies according to document's language.

NOTE 1 : Not compatible with gate system including a Fixed box or a Motor box featuring a single magnetic sensor.

These gate systems must be upgraded using relevant retrofit kit.



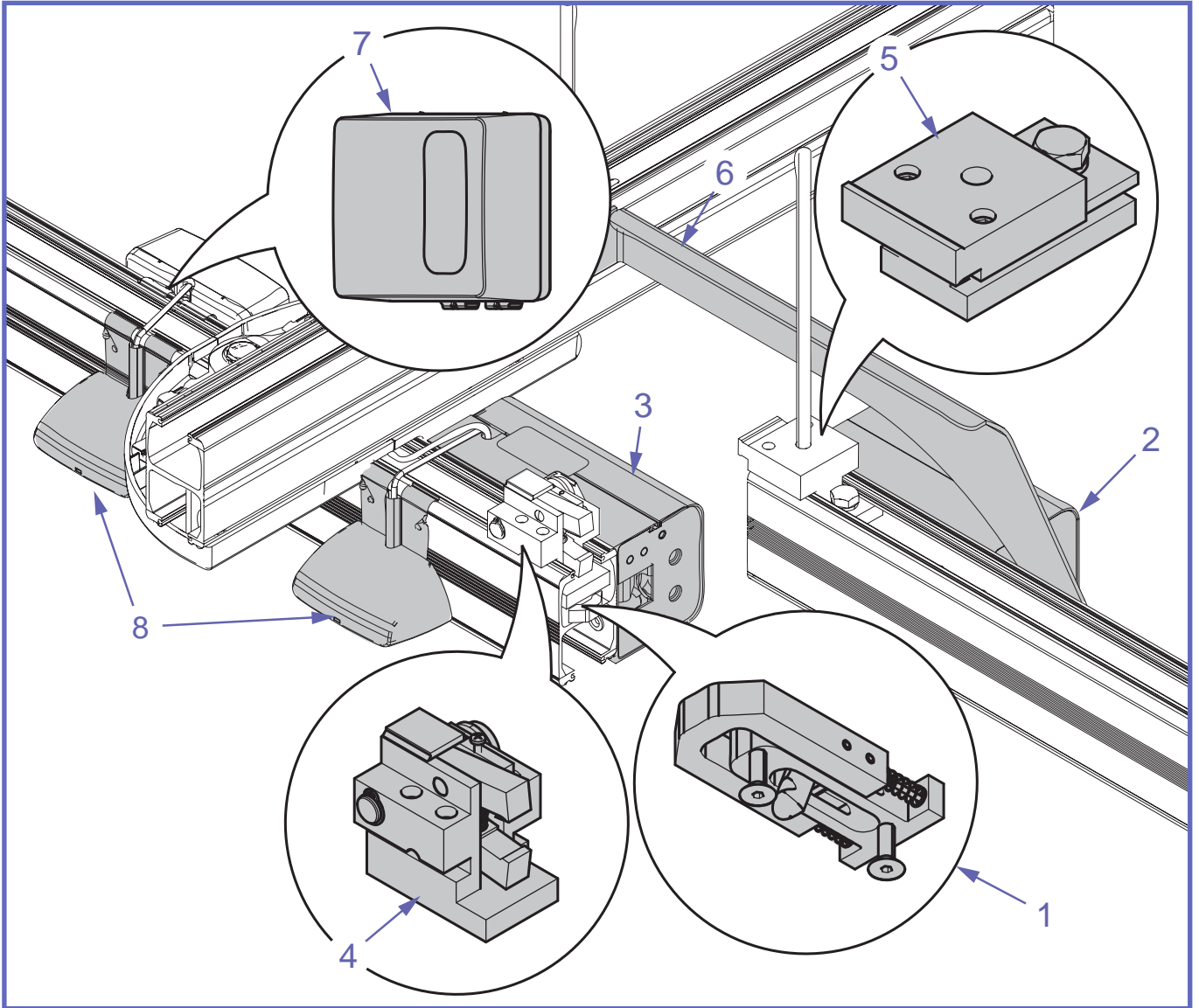
Box with Single Magnetic Sensor

Box with Dual Magnetic Sensor

NOTE 2 : Compatible only with XY Systems using Cross shape Trolleys, see page 8 for details.

NOTE 3 : Compatible only with XY Systems using Universal Trolleys, see page 8 for details.

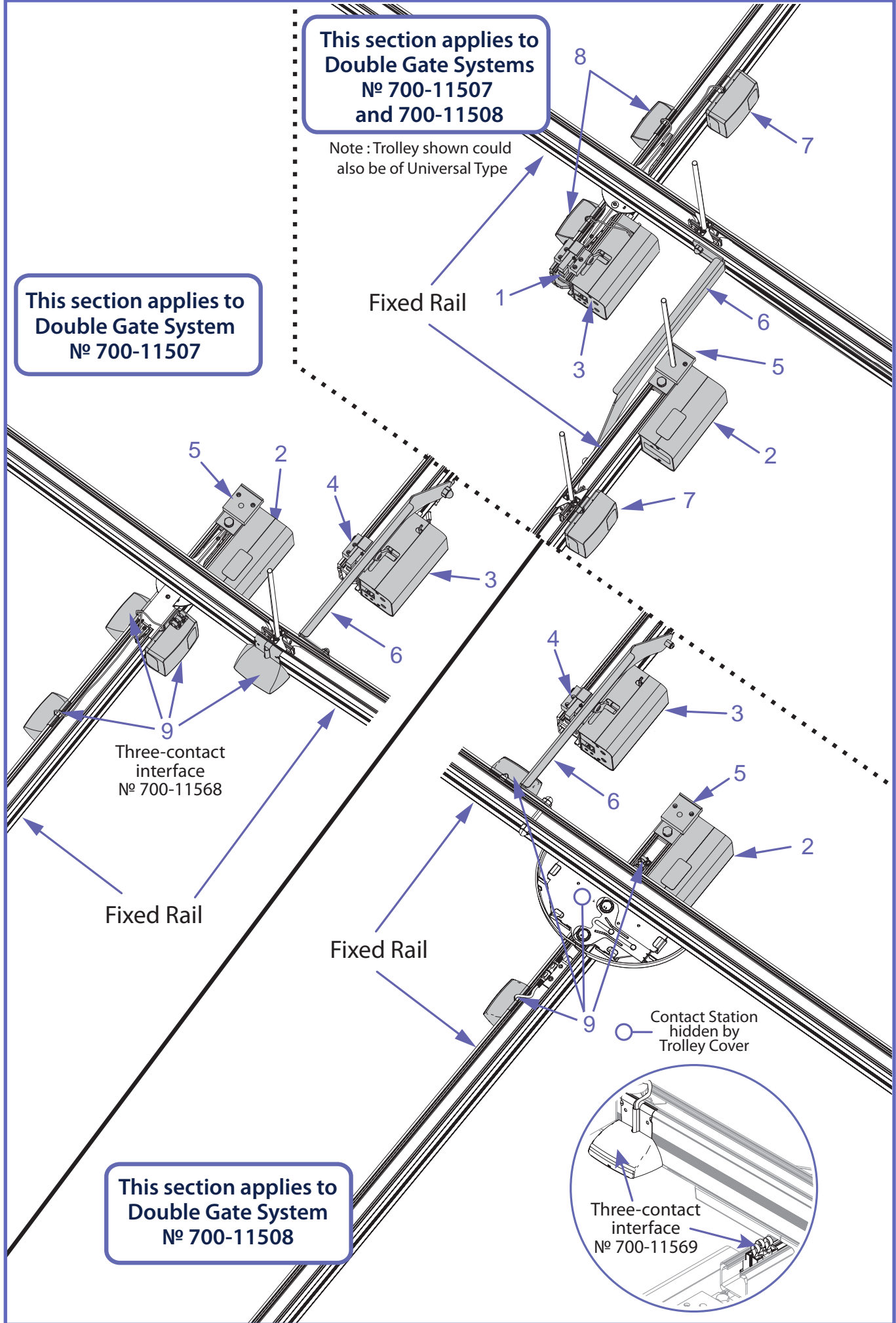
B - Simple Gate System (700-11502)



B SIMPLE GATE SYSTEM (700-11502)					
ITEM	PART #	DESCRIPTION	QTY	REMARKS	KIT
1	700-11510	KWIKtrak Gate DF Locker	2		
2	700-11551	KWIKtrak Gate Fixed Box	1	See Note 1	
3	700-11561	KWIKtrak Gate Motor Box	1	See Note 1	
4	700.11570	KWIKtrak Gate Clamp Block	1		
5	700.11580	KWIKtrak Gate Fixed Block	1		
6	700.11635	KWIKtrak Gate Reinforcement Kit	1		
7	700.11590	Energy Reserve Box	1		
8	700-11566	Double Contact Station	1		

NOTE 1 : Not compatible with gate systems № 700.11500, 700-11501, 700.11505, and 700-11506. These gate systems must be upgraded using relevant retrofit kit.

C - Double Gate System (700-11507 and 700-11508)



001-11507-EN rev. 2

C DOUBLE GATE SYSTEM (700-11507 AND 700-11508)

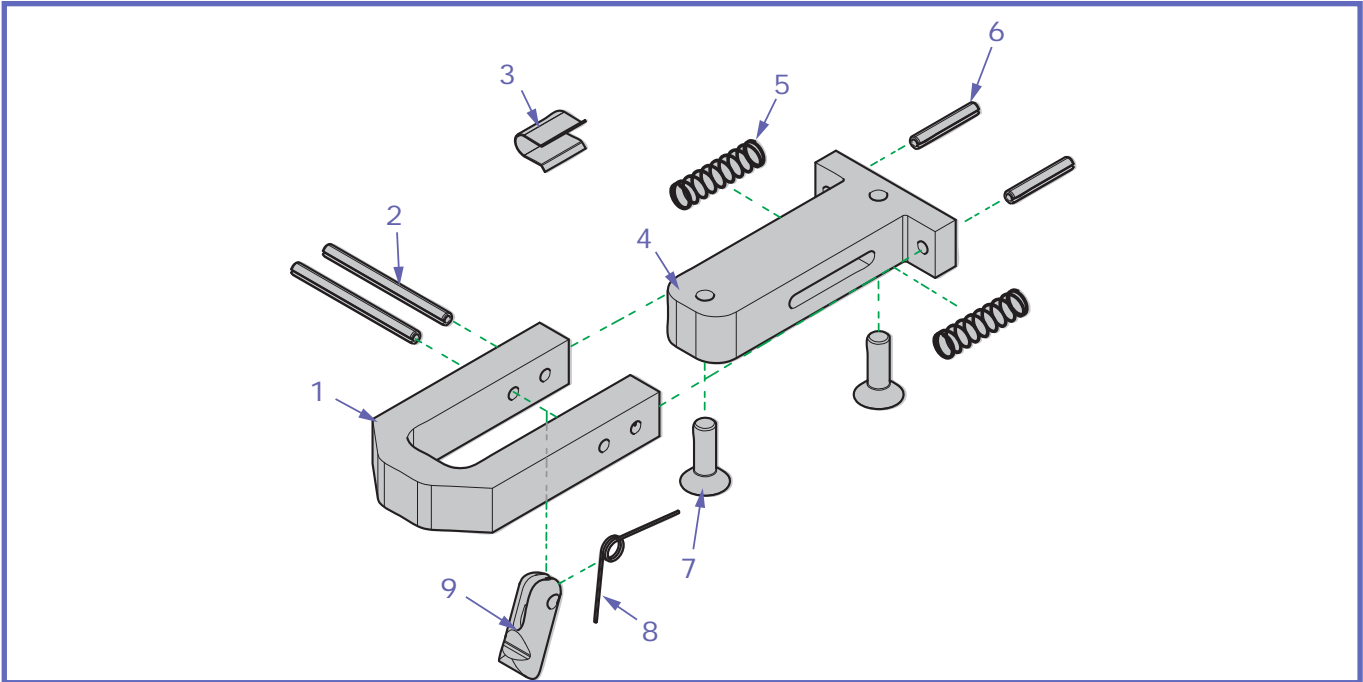
ITEM	PART #	DESCRIPTION	QTY	REMARKS	KIT
1	700-11510	KWIKtrak Gate DF Locker	4		
2	700-11551	KWIKtrak Gate Fixed Box	2	See Note 1	
3	700-11561	KWIKtrak Gate Motor Box	2	See Note 1	
4	700.11570	KWIKtrak Gate Clamp Block	2		
5	700.11580	KWIKtrak Gate Fixed Block	2		
6	700.11635	KWIKtrak Gate Reinforcement Kit	2		
7	700.11590	Energy Reserve Box	2		
8	700-11566	Double Contact Box	1		
9	700-11568	3-Contact Interface	1	See Note 2	
	700-11569	3-Contact Interface for Universal Trolleys	1	See Note 3	

NOTE 1 : Not compatible with gate systems № 700.11500, 700-11501, 700.11505, and 700-11506. These gate systems must be upgraded using relevant retrofit kit.

NOTE 2 : Compatible only with XY Systems using Cross shaped Trolleys.

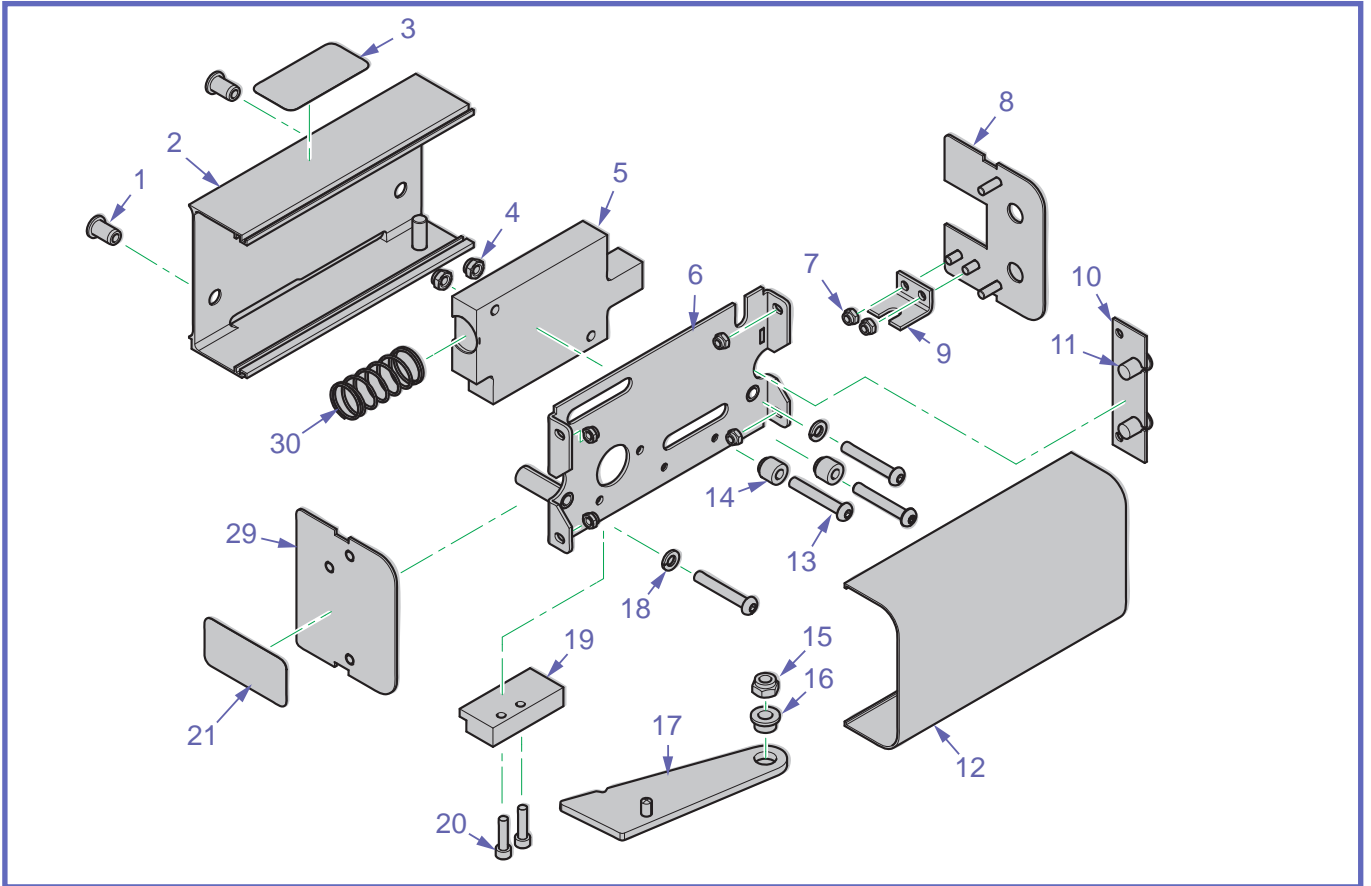
NOTE 3 : Compatible only with XY Systems using Universal Trolleys (see page 5).

D - DF Gate Locker



D DF GATE LOCKER					
ITEM	PART #	DESCRIPTION	QTY	REMARKS	KIT
1	200-11512	Gate Locker Plunger	1		K1
2	000.00810	1/8" X 1 1/2" Zp Spring Pin	2		K1
3	000.11010	U-clip	1		
4	200-11513	Gate Locker Block	1		K1
5	000-11511	1/4 X 1" X 0.013 Spring	2		
6	000.00805	1/8" X 3/4" Zp Spring Pin	2		
7	000-02549	M5 X 16 Flat Zp Screw	2		
8	000-11510	0.140 X 3/4 X 0.25 Torsion Spring	1		K1
9	200-11511	Gate Locker Pin	1		K1

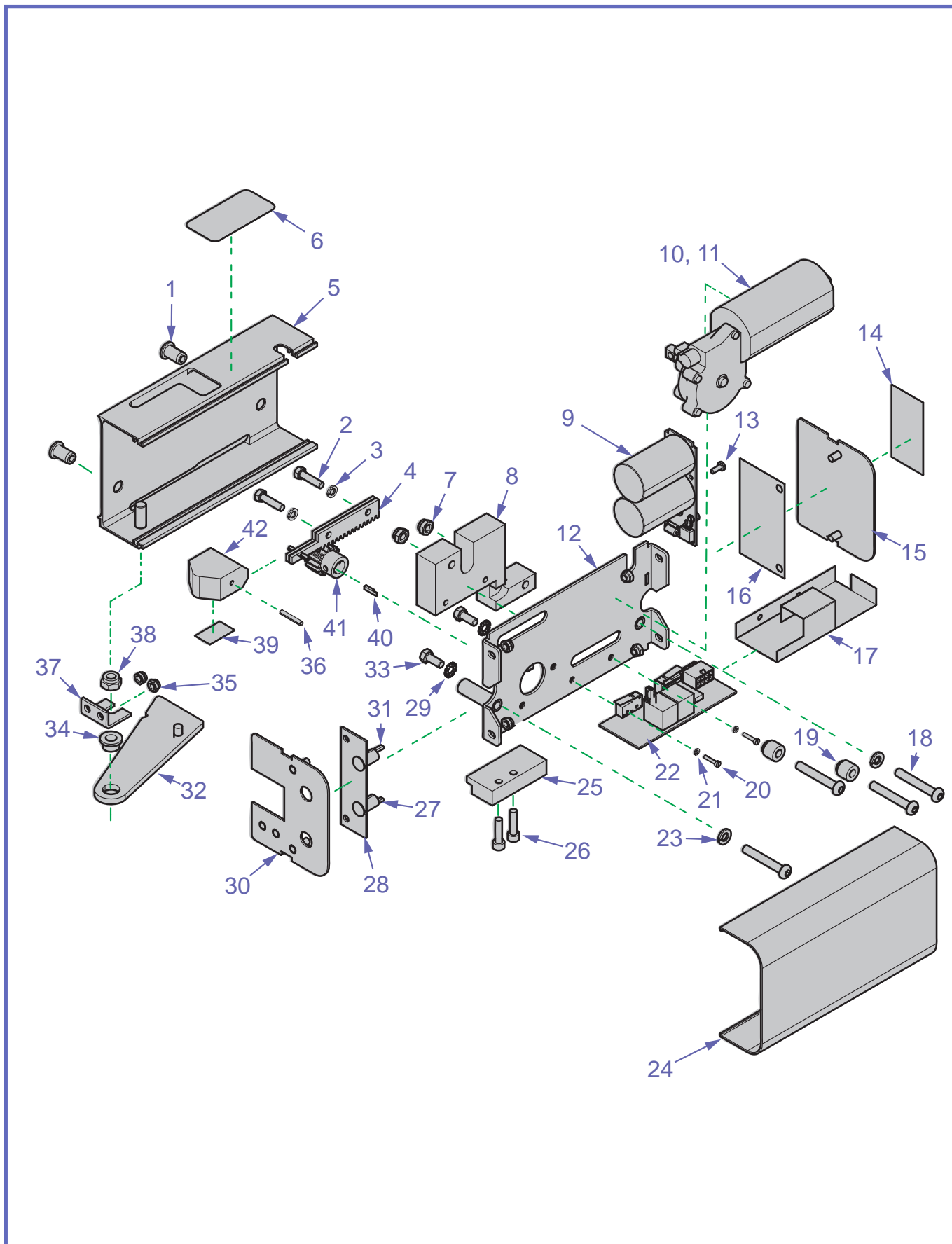
E - Fixed Box



E					
FIXED BOX					
ITEM	PART #	DESCRIPTION	QTY	REMARKS	KIT
1	000.03407	6po30 Nut Insert	2		
2	225.11515	Fixed Box Back Part	1		K5
3	001.00060	2.5" X 1.25" Sticker/seal	1		
4	000.03410	M6 Zp Locknut	2		
5	200.11535	Main Block 2	1		K5
6	203.11500	Main Plate	1		K5
7	000.02800	M5 Zp Locknut	6		
8	225.11600	Double Magnet Cover	1	See Note 1	K5
9	203.11545	Gate Pivot Support	1		K5
10	204.11580	Double Magnet Holder	1	See Note 1	K5
11	450-00058	Magnet Kit	2	See Note 1	
12	225.11520	KWIKtrak Gate Cover	1		
13	000.03160	M6 X 40 Button Screw	4		
14	200.11590	Limit Bushing	2		K5
15	000.03800	M8 Zp Locknut	1		K5
16	000.03900	8id 12od Flange Bushing	1		K5
17	205.11570	Fixed Box Lock	1		K5
18	000.03420	M6 Zp Lockwasher	2		
19	200.11630	Gate Opening Block	1		K5
20	000.02580	M5 X 20 Zp Socket Screw	2		K5
21	001-01155	Csa Label 700-1155x	1		K5
29	225.11645	Spring Cover	1		K5
30	000.00878	7/8 X 2 Spring	1		K5

NOTE 1 : Not compatible with gate systems № 700.11500, 700-11501, 700.11505, and 700-11506. These gate systems must be upgraded using relevant retrofit kit.

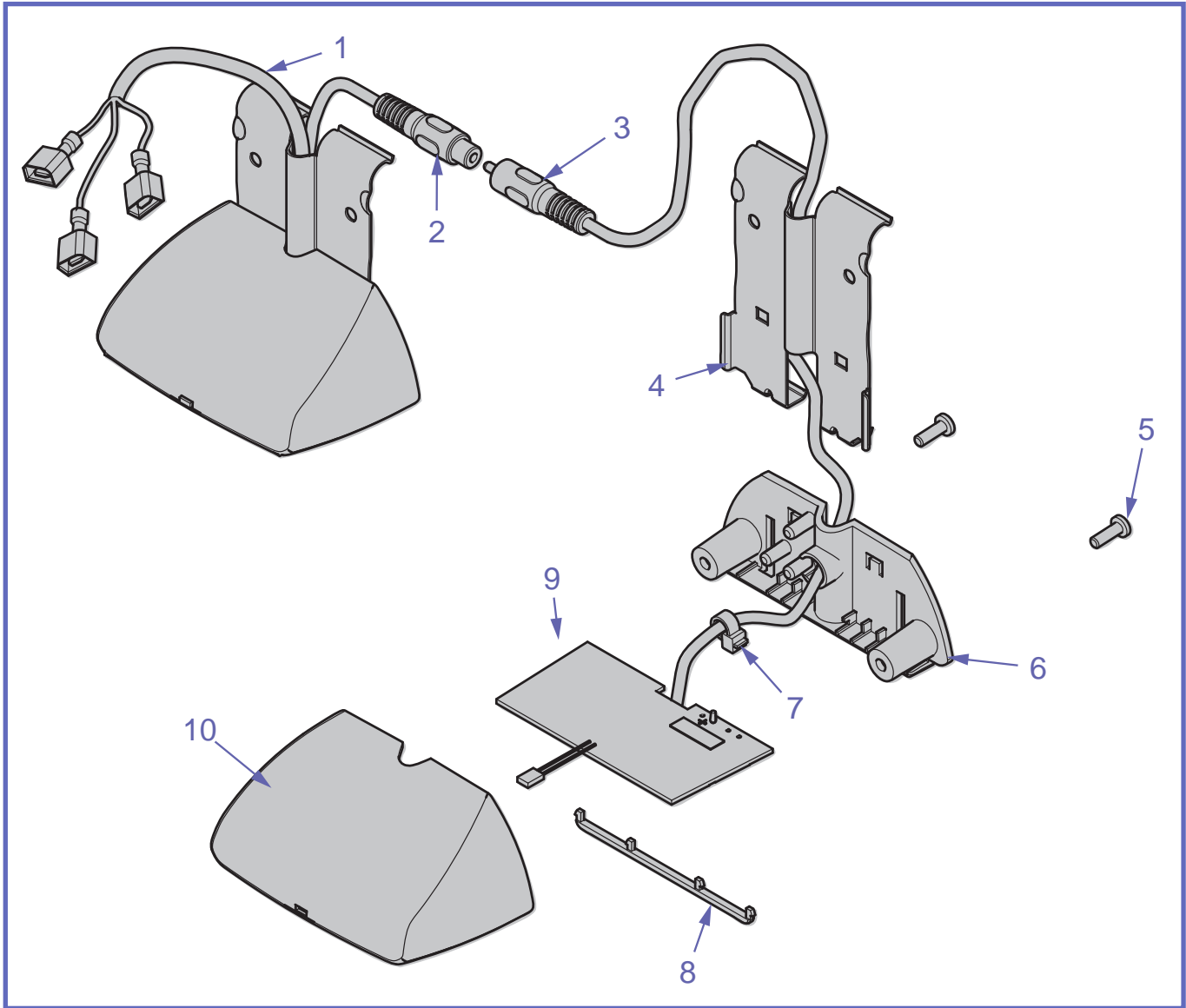
F - Motor Box



F		MOTOR BOX			
ITEM	PART #	DESCRIPTION	QTY	REMARKS	KIT
1	000.03407	6po30 Nut Insert	2		
2	000.02575	M5 X 20 Hex Screw	2		
3	000.02900	M5 Zp Lockwasher	2		
4	203.11550	Rack Gear KWIKtrak Gate	2		K6
5	225.11510	Motor Box Back Part	1		K6
6	001.00060	Sticker/seal	1		
7	000.03410	M6 Zp Locknut	2		
8	200.11530	Main Block1 KWIKtrak Gate	1		K6
9	492.00057	Capacitor Board	1		
10	450.00119	18-22 Awg Sok Mini Mate-n-lok	2		K6
11	400.14010	Accessories Motor	1		K6
12	203.11500	Main Plate	1		K6
13	000.02065	M3 X 8 Zp Pan Phillips Screw	1		
14	001-01156	CSA Label 700-1156x	1		K6
15	225.11610	Side Cover Without Hole	1		K6
16	200-11562	Pcb Protector Gate-2	1		K8
17	200-11561	Pcb Protector Gate-1	1		K8
18	000.03160	M6 X 40 Button Screw	4		
19	200.11590	Gate Limit Bushing	2		K6
20	000.01960	M2.5 X 12 Screw	2		
21	000.01975	M2.5 Zp Lockwasher	2		
22	492-00076	Gate Control Board Top Level	1	See Note 1	
23	000.03420	M6 Zp Lockwasher	2		
24	225.11520	KWIKtrak Gate Cover	1		
25	200.11630	Gate Opening Block	1		
26	000.02580	M5 X 20 Socket Zp Screw	2		
27	402-11501	Gate Magnet Wiring Harness	1	See Note 1	K6
28	204.11580	Double Magnet Holder	1	See Note 1	K6
29	000.02915	M5 Zp Starwasher	2		
30	225.11625	Motor Box Magnet Cover	1		K6
31	402.11502	KWIKtrak Gate Wiring Harness	1		K6
32	205.11560	Motor Box Lock	1		K6
33	000.02550	M5 X 12 Hex Screw	2		
34	000.03900	8id 12od Flange Bushing	1		K6
35	000.02800	M5 Zp Locknut	6		
36	000.00805	1/8" X 3/4" Zp Spring Pin	1		K6
37	203.11545	Gate Pivot Support	1		K6
38	000.03800	M8 Zp Locknut	1		
39	001.10410	Warning Handle Label	1		
40	200.11525	Motor Gear Key	1		K6
41	000.11500	Motor Gear	1		K6
42	200.11540	Gate Plunger #1	1		K6

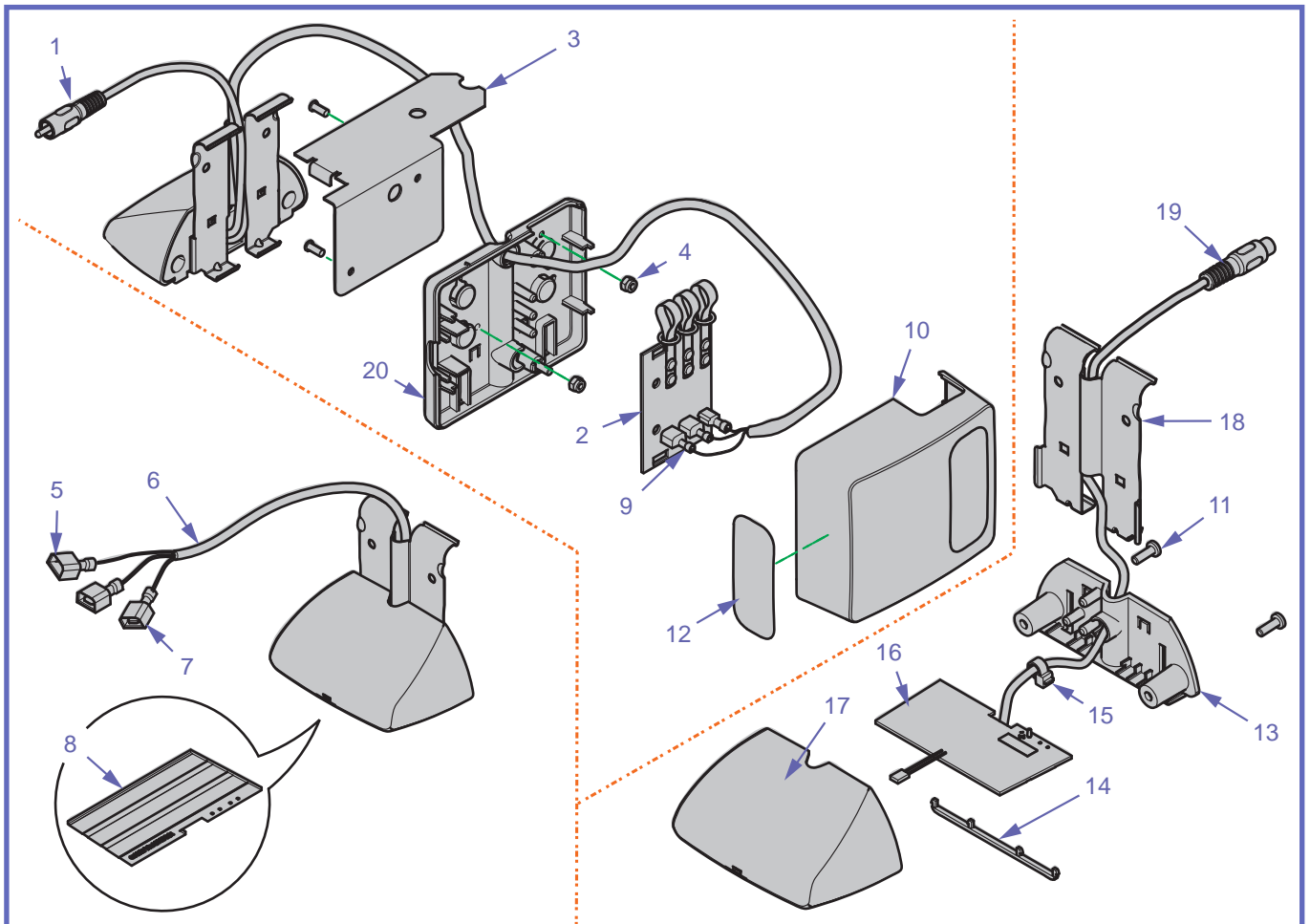
NOTE 1 : Not compatible with gate systems № 700.11500, 700-11501, 700.11505, and 700-11506. These gate systems must be upgraded using relevant retrofit kit.

G - Double Contact Stations



G Double Contact Stations					
ITEM	PART #	DESCRIPTION	QTY	REMARKS	KIT
1	402-11504	Gate Contact Box Wiring	1		K9
2	402.00038-2	RCA Charging Wire (Female)	1		K9
3	402.00038-1	RCA Charging Wire (Male)	1		K9
4	225.15540	Contact Box Plate	2		K9
5	000.02480	4.0 X 12 Plastite Screw	4		
6	200.15530	Contact Box Base	2		K9
7	E0289	Tie Wrap 3/16" X 14 1/2"	2		K9
8	200.15535	Contact Divider	2		K9
9	492-00077	Pcba Contact Gate Circuit	2		K9
10	200.15520	Contact Box Cover	2		K9

H - 3-Contact Interface for Cross Shaped Trolley

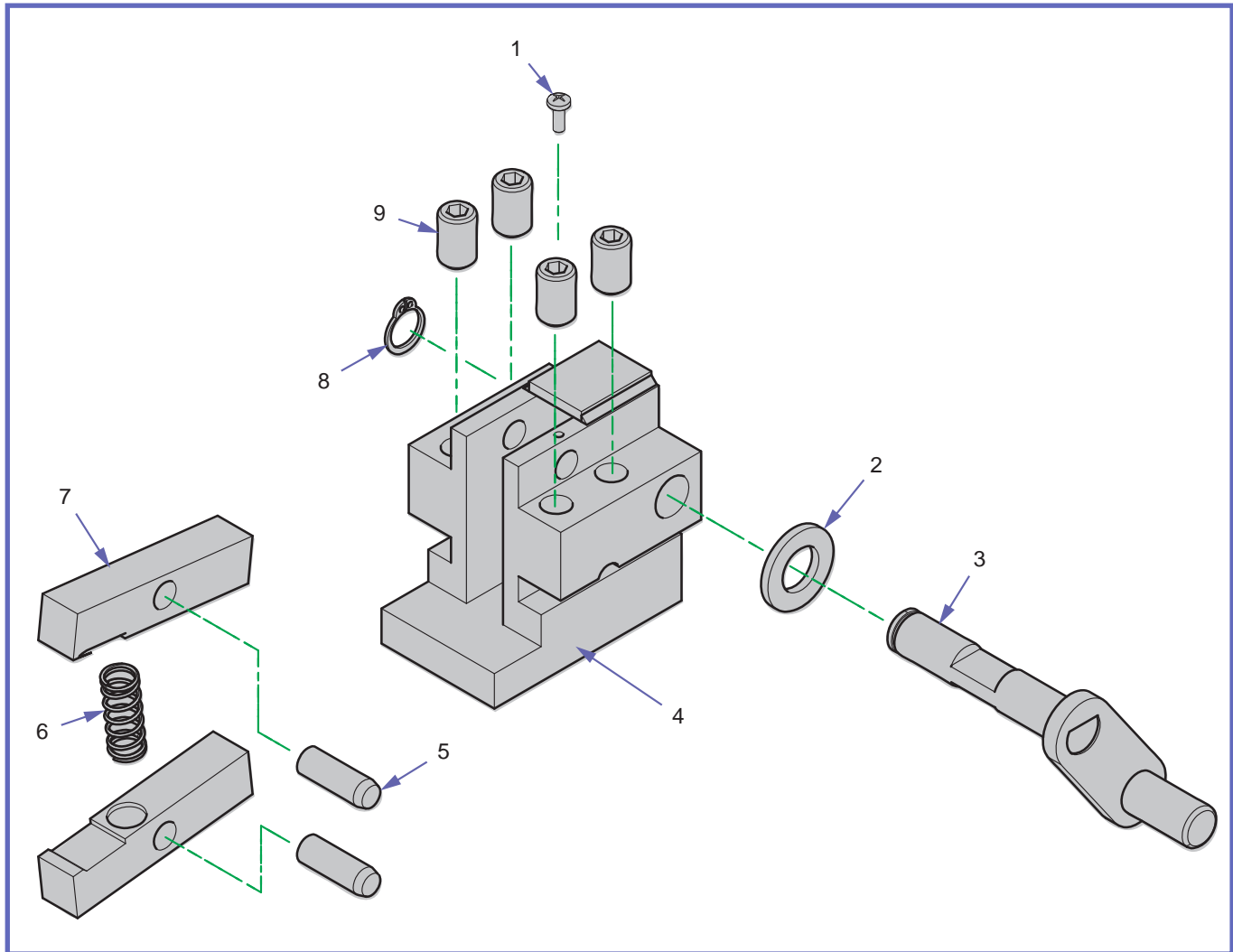


H 3-Contact Interface for Cross Shaped Trolley

ITEM	PART #	DESCRIPTION	QTY	REMARKS	KIT
1	402.00038-1	RCA Charging Wire (Male)	1		K10
2	492.00060	3-contact Interface Circuit	1		
3	203.15580	X-y Bracket Interface	1		K10
4	000.02530	M4 Zp Locknut	2		
5	C5TF250	0.250 X 0.032 14-16 Awg Female Connector	2		K10
6	E0250	3-wire Power Cable White	3m		K10
7	C5TM250	0.250 Isolated Male Connector	2		K10
8	492.00059	3-trace Contact Board	1		K10
9	C5TF205	0.205 X 0.032 14-16 Awg Female Connector	2		K10
10	200.15500	Charger Cover	1		K10
11	000.02480	4.0 X 12 Plastite Screw	8		
12	001.08016	Cover Label (For Slot)	2		K10
13	200.15530	Contact Box Base	3		K10
14	200.15535	Contact Divider	4		K10
15	E0289	Tie Wrap 3/16 X 14 1/2	3		K10
16	492-00077	Pcba Contact Gate Circuit	2		K10
17	200.15520	Contact Box Cover	3		K10
18	225.15540	Contact Box Plate	3		K10
19	402.00038-2	RCA Charging Wire (Female)	1		K10
20	200.15510	Charger Base	1		K10

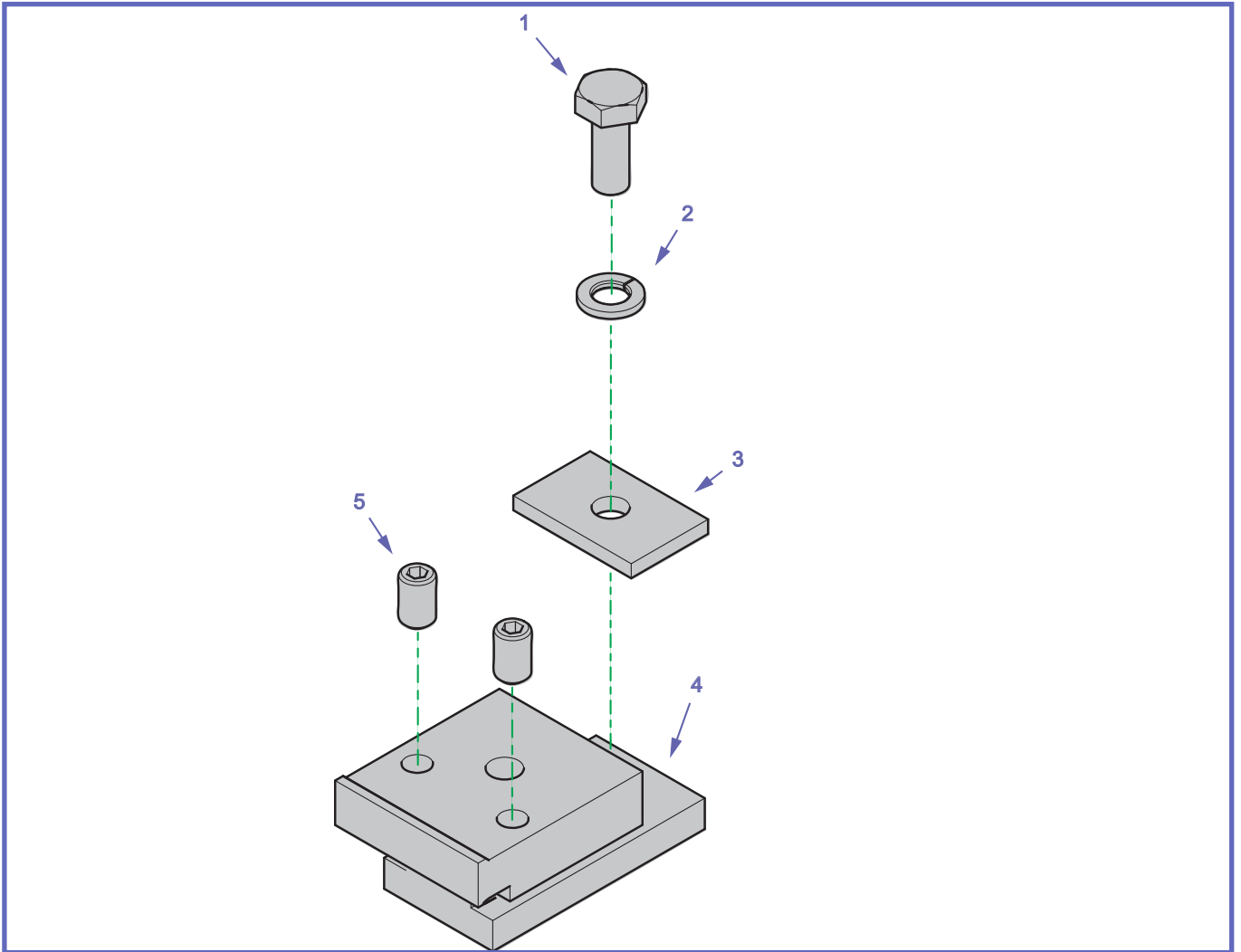
001-11507-EN rev. 2

J - Gate Clamp Block



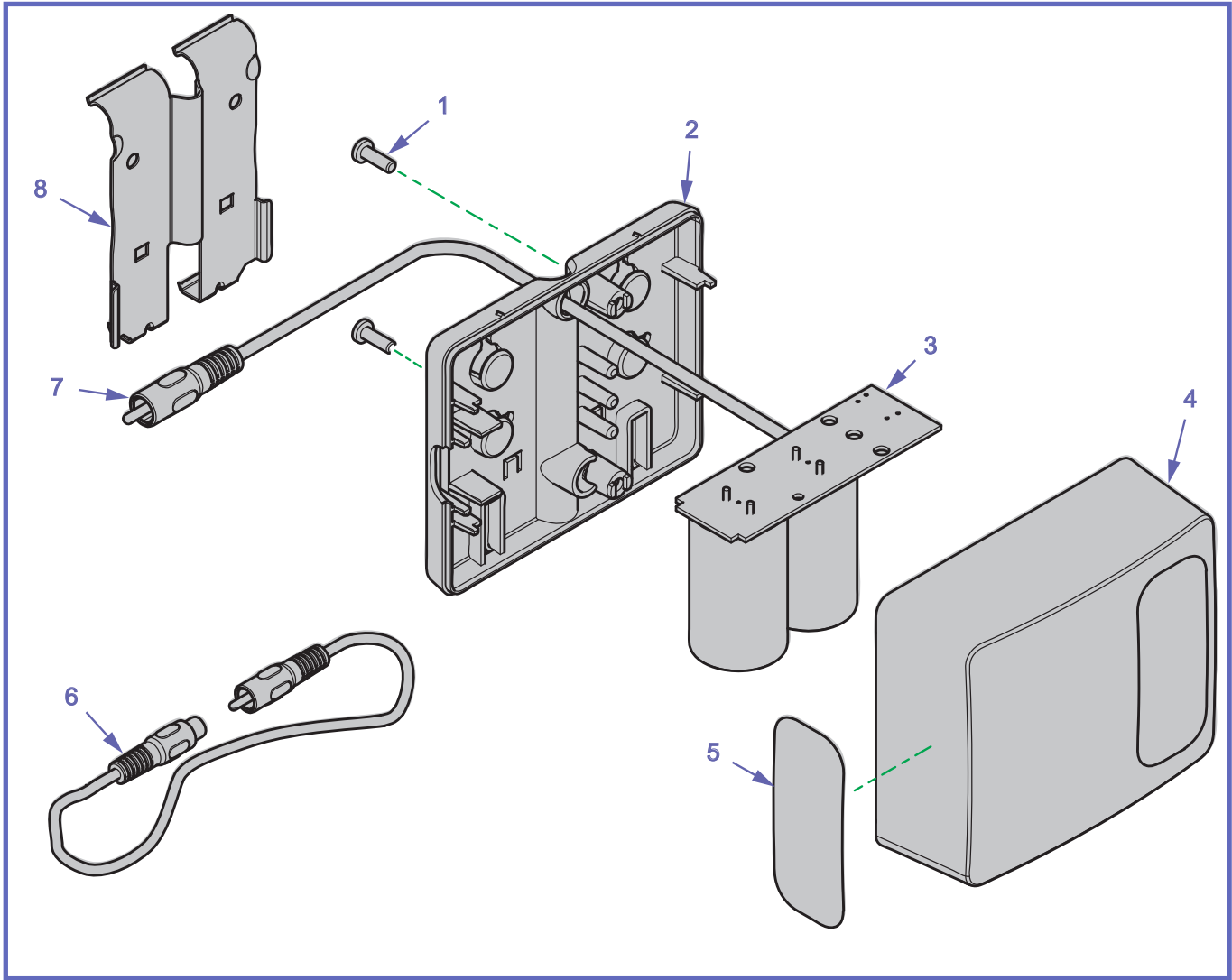
J Gate Clamp Block					
ITEM	PART #	DESCRIPTION	QTY	REMARKS	KIT
1	000.02065	M3 X 8 Zp Pan Phillips Screw	1		K10
2	000.04900	M12 X 2.5t Nylon Flat Washer	1		K3
3	203.11585	Gate Cam	1		K3
4	203.11615	Block For Gate Grip	1		K3
5	000.03385	8 X 24 Dowel Pin	2		K3
6	000.00881	Ø10 X 25 Compression Spring	1		K3
7	203.11595	Gate Grip	2		K3
8	010.00850	12 Mm Ss Retaining Ring	1		K3
9	000.04050	M10 X 16 Zp (Flat) Setscrew	4		K3

K - Fixed Block



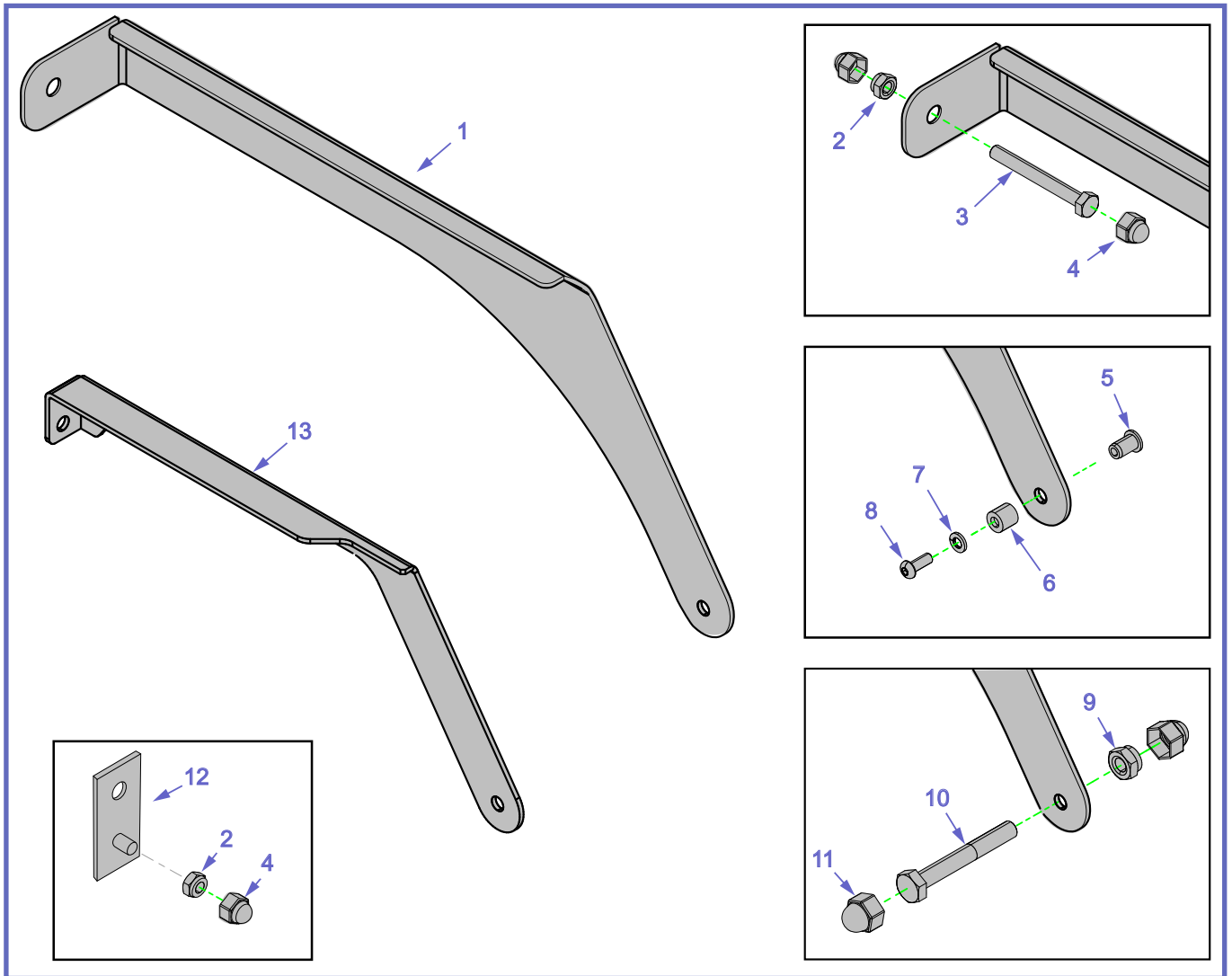
K <i>Fixed Block</i>					
ITEM	PART #	DESCRIPTION	QTY	REMARKS	KIT
1	000.04090	M10 X 25 Zp Hex Screw	1		
2	000.04425	M10 Zp Lockwasher	1		
3	203.11605	Block Locking Plate	1		K2
4	001.11620	Fixed Block	1		K2
5	000.04050	M10 X 16 Zp Flat Set screw	2		

L - Energy Reserve Box



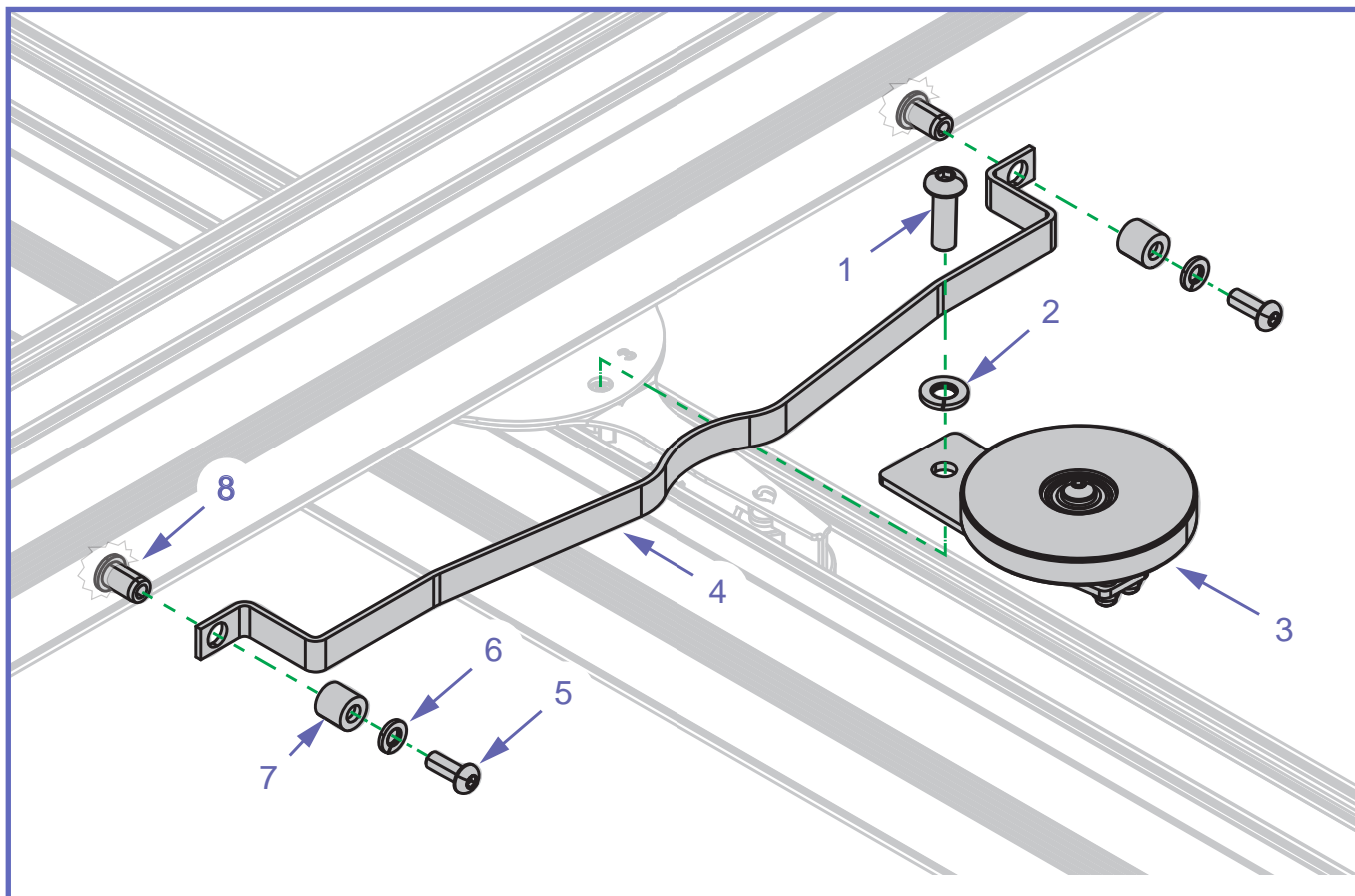
L Energy Reserve Box					
ITEM	PART #	DESCRIPTION	QTY	REMARKS	KIT
1	000.02480	4.0 X 12 Plastite Screw	2		
2	200.15510	Charger Base	1		K4
3	492-00079	PCBA Energy Box Circuit	1		K4
4	200.15500	Charger Cover	1		K4
5	001.08016	Covering Label	2		K4
6	402.15505	RCA Charger Extension	1		
7	402.00038-1	RCA Charging Wire (Male)	1		K4
8	225.15540	Contact Box Plate	1		K4

M - Reinforcement Bracket Kit



M - Reinforcement Bracket Kit					
ITEM	PART #	DESCRIPTION	QTY	REMARKS	KIT
1	225.11635	Reinforcement Bracket	1		K7
2	000.04410	M10 Zp Locknut	1		
3	000.04295	M10 X 75 Zp Hex Screw	1		
4	000.04420	M10 White Plastic Cap	2		
5	000.03407	6po30 Nut Insert	1		
6	200.11640	Stiffening Plate Sleeve	1		K7
7	000.03420	M6 Zp Lockwasher	1		
8	000.03105	M6 X 16 Button Zinc Screw	1		
9	000.03800	M8 Zp Locknut	1		
10	000.03764	M8 X 70 Zp Hex Screw	1		
11	000.03810	M8 White Plastic Cap	2		
12	225.11637	Adaptor Plate	1	Optionnal	
13	225-11636	Reinforcement Bracket - Low height	1	Optionnal	

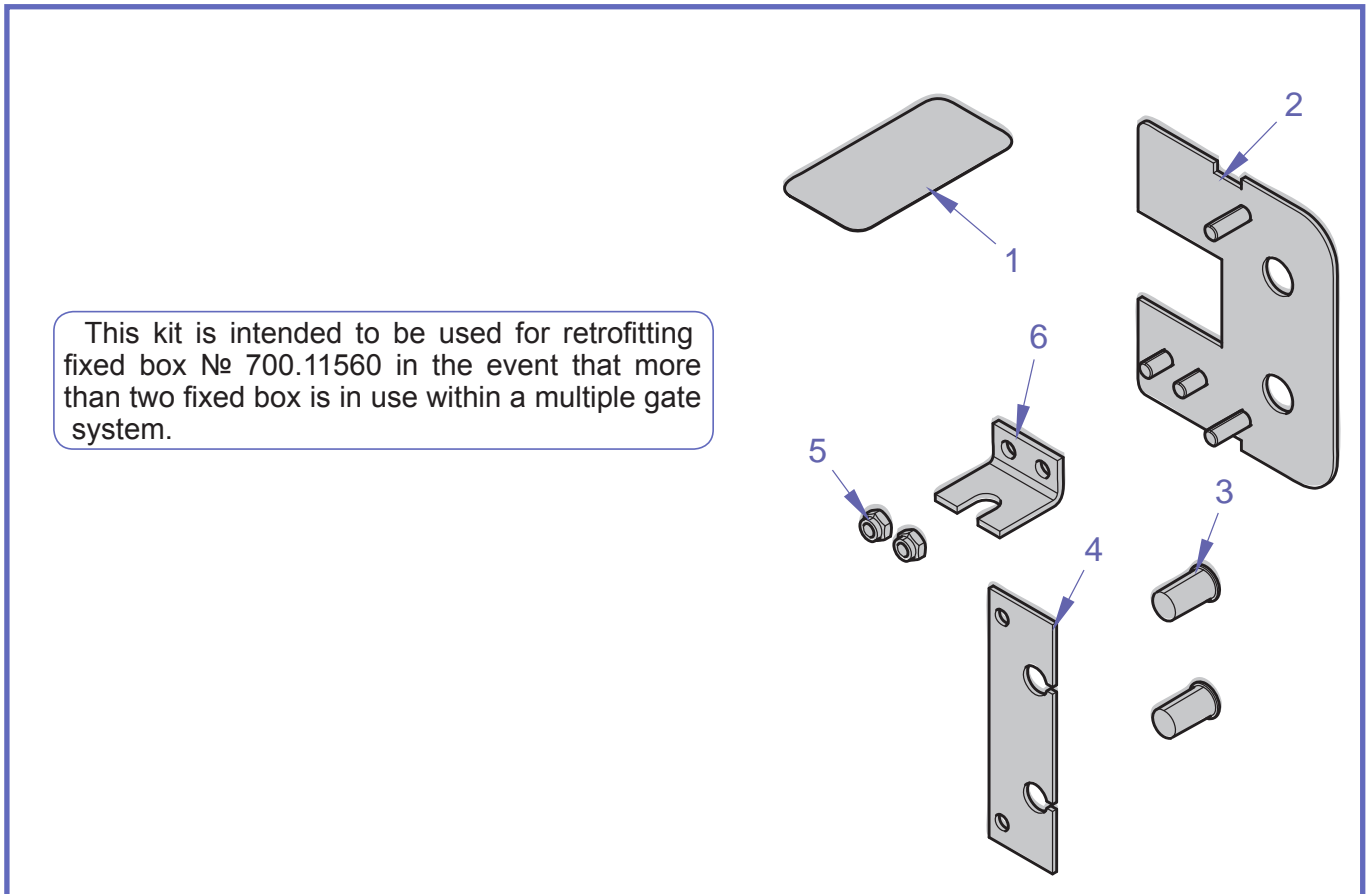
N - Gate Alignment System



N Gate Alignment System					
ITEM	PART #	DESCRIPTION	QTY	REMARKS	KIT
1	000-03676	Screw M8 X 25 Button Zinc	1		
2	000.03960	Lockwasher M8 Zinc	1		
3	600-11212	Wheel Support Assembly	1		K13
4	203-11216	Alignment System Bracket	1		K13
5	000.03105	Screw M6 X 16 Button Zinc	2		
6	000.03420	Lockwasher M6 Zinc	2		
7	200.11640	Sleeve	2		K13
8	000.03407	Nut Insert 6p30	2		

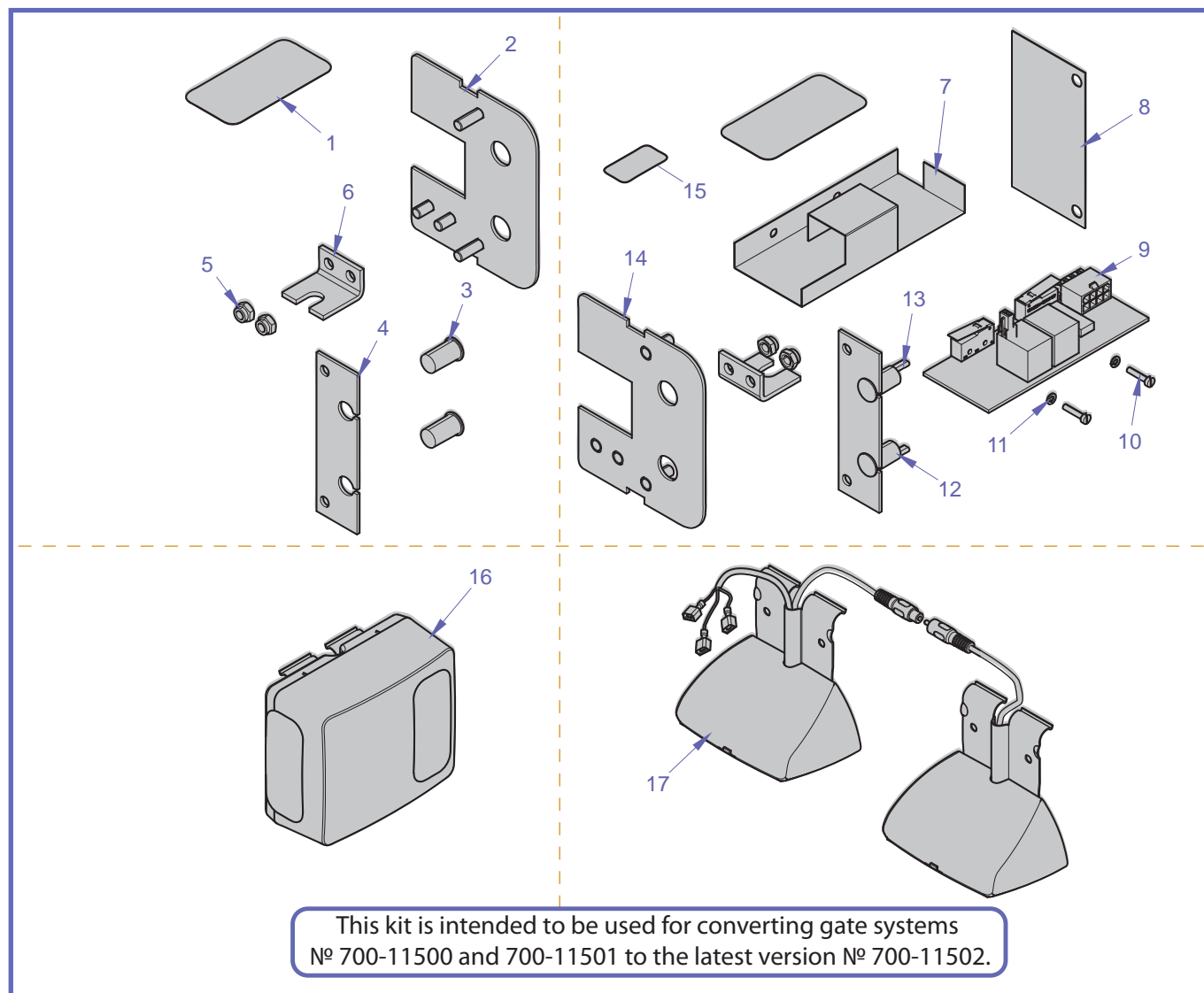
Note : Gate Alignment System is not compatible with Gate System using Universal Trolleys (see page 5).

P - KWIKtrak Fixed Box Retrofit - K8 (700-11522)



P KWIKtrak Fixed Box Retrofit - K8 (700-11522)					
ITEM	PART #	DESCRIPTION	QTY	REMARKS	KIT
1	001.00060	Sticker/seal	2		
2	225.11600	Double Magnet Cover	1		K8
3	450-00058	Magnet Kit	2		
4	204.11580	Double Magnet Holder	2		K8
5	000.02800	M5 Zp Locknut	4		
6	203.11545	Gate Pivot Support	6		K8

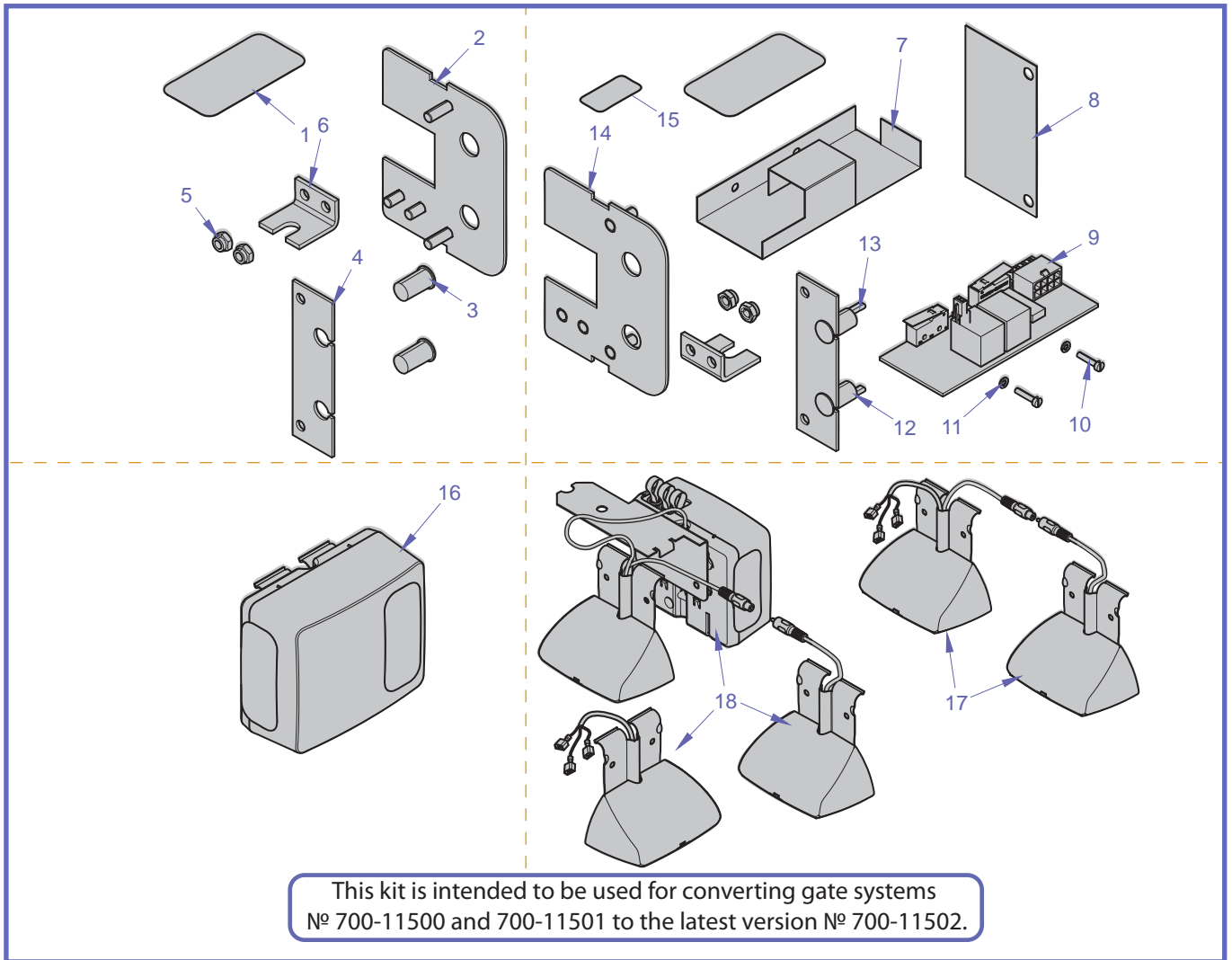
Q - Simple Gate Retrofit Service Kit - K11 (700-11520)



Q Simple Gate Retrofit Service Kit - K11 (700-11520)

ITEM	PART #	DESCRIPTION	QTY	REMARKS	KIT
1	001.00060	Sticker/seal	2		
2	225.11600	Double Magnet Cover	1		K11
3	450-00058	Magnet Kit	2		
4	204.11580	Double Magnet Holder	2		K11
5	000.02800	M5 Zp Locknut	6		
6	203.11545	Gate Pivot Support	2		K11
7	200-11561	Pcb Protector Gate-1	1		K11
8	200-11562	Pcb Protector Gate-2	1		K11
9	492-00076	Gate Control Board Top Level	1		
10	000.01960	M2.5 X 12 Screw	2		
11	000.01975	M2.5 Zp Lockwasher	2		
12	402-11501	Gate Magnet Wiring Harness	1		K11
13	402.11502	KWIKtrak Gate Wiring Harness	1		K11
14	225.11625	Motor Box Magnet Cover	1		K11
15	001.10410	Sticker Warning Handle	1		
16	700.11590	Energy Reserve Box Kit	1		
17	700-11566	Double Contact Box Kit	1		

R - Double Gate Retrofit Service Kit - K12 (700-11521)



R Double Gate Retrofit Service Kit - K12 (700-11521)					
ITEM	PART #	DESCRIPTION	QTY	REMARKS	KIT
1	001.00060	Sticker/seal	4		
2	225.11600	Double Magnet Cover	2		K12
3	450-00058	Magnet Kit	4		
4	204.11580	Double Magnet Holder	4		K12
5	000.02800	M5 Zp Locknut	20		
6	203.11545	Gate Pivot Support	4		K12
7	200-11561	Pcb Protector Gate-1	2		K12
8	200-11562	Pcb Protector Gate-2	2		K12
9	492-00076	Gate Control Board Top Level	2		
10	000.01960	M2.5 X 12 Screw	4		
11	000.01975	M2.5 Zp Lockwasher	4		
12	402-11501	Gate Magnet Wiring Harness	2		K12
13	402.11502	KWIKtrak Gate Wiring Harness	2		K12
14	225.11625	Motor Box Magnet Cover	2		K12
15	001.10410	Sticker Warning Handle	2		
16	700.11590	Energy Reserve Box Kit	2		
17	700-11566	Double Contact Box Kit	1		
18	700-11568	3-Contact Interface Kit	1		

AUSTRALIA

ArjoHuntleigh Pty Ltd
78, Forsyth street
O'Connor
AU-6163 Western Australia
Tel: +61 89337 4111
Free: +1 800 072 040
Fax: + 61 89337 9077

BELGIQUE / BELGIË

ArjoHuntleigh NV/SA
Evenbroekveld 16
B-9420 ERPE-MERE
Tél/Tel: +32 (0) 53 60 73 80
Fax: +32 (0) 53 60 73 81
E-mail: info@arjohuntleigh.be

CANADA

ArjoHuntleigh
90 Matheson Boulevard West
Suite 300
MISSISSAUGA, ON, L5R 3R3
Tel/Tél: +1 905 238 7880
Free: +1 800 665 4831 Institutional
Free: +1 800 868 0441 Home Care
Fax: +1 905 238 7881
E-mail: info.canada@arjohuntleigh.com

ČESKÁ REPUBLIKA

ArjoHuntleigh s.r.o.
Hlinky 118
CZ- 603 00 BRNO
Tel: +420 549 254 252
Fax: +420 541 213 550

DANMARK

ArjoHuntleigh A/S
Vassingerødvej 52
DK-3540 LYNGE
Tel: +45 49 13 84 86
Fax: +45 49 13 84 87
E-mail: info.dk@arjohuntleigh.com

DEUTSCHLAND

ArjoHuntleigh GmbH
Peter-Sander-Strasse 10
D-55252 MAINZ-KASTEL
Tel: +49 (0) 6134 186 0
Fax: +49 (0) 6134 186 160
E-mail: info-de@arjohuntleigh.com

ΕΛΛΑΔΑ

C. Psimitis Co Ltd
Dimitriou Andr. 59
GR-16121 KAISARIANI ATTIKIS
Τηλ: 21 0724 36 68
Φάξ: 21 0721 55 53

ESPAÑA

ArjoHuntleigh Ibérica S.L.
Ctra. de Rubí, 88 1ª planta - A1
08173 Sant Cugat del Vallés
ES- BARCELONA 08173
Tel: +34 93 583 11 20
Fax: +34 93 583 11 22
E-mail: info.es@arjohuntleigh.com

FAR EAST

ARJO Far East Limited
Unit 3A, 4/F., block B Hoi Luen
Industrial Centre
55 Hoi Yuen Road,
Kwun Tong, Kowloon
HONG KONG
Tel: +852 2508 9553
Fax: +852 2508 1416

FRANCE

ArjoHuntleigh SAS
2 Avenue Alcide de Gasperi
CS 70133
59436 RONCQ CEDEX
Tél: +33 (0) 3 20 28 13 13
Fax: +33 (0) 3 20 28 13 14
E-mail : info.france@arjohuntleigh.com

INTERNATIONAL

ArjoHuntleigh International Ltd.
ArjoHuntleigh House
Houghton Hall Park
Houghton Regis
UK-DUNSTABLE LU5 5XF
Tel: +44 (0) 1582 745 800
Fax: +44 (0) 1582 745 866
E-mail:
international@ArjoHuntleigh.com

ITALIA

ArjoHuntleigh S.p.A.
Via di Tor Vergata 432
00133 ROMA - ITALIA
Tel: +39 (0) 6 87426211
Fax: +39 (0) 6 87426222
E-mail: Italy.promo@arjohuntleigh.com

NEDERLAND

ArjoHuntleigh Nederland BV
Biezenwei 21
4004 MB TIEL
Postbus 6116
4000 HC TIEL
Tel: +31 (0) 344 64 08 00
Fax: +31 (0) 344 64 08 85
E-mail: info.nl@arjohuntleigh.com

NEW ZEALAND

ArjoHuntleigh Ltd
41 Vestey Drive
Mount Wellington
AUCKLAND 1060
Tel: +64 (0) 9 573 5344
Free Call: 0800 000 151
Fax: +64 (0) 9 573 5384
E-mail: nz.info@ArjoHuntleigh.com

NORGE

ArjoHuntleigh Norway AS
Ryenstubben 2
NO-0679 OSLO
Tel: +47 22 08 00 50
Faks: +47 22 08 00 51
E-mail: no.kundeservice@arjohuntleigh.com

POLSKA

ArjoHuntleigh Polska Sp. z o.o.
ul. Ks Piotra Wawrzyniaka 2
PL 62-052 KOMORNIKI (Poznan)
Tel: +48 61 662 15 50
Fax: +48 61 662 15 90
E-mail: arjo@arjohuntleigh.com

PORTUGAL

ArjoHuntleigh em Portugal:
MAQUET Portugal, Lda. (Distribuidor Exclusivo)
Rua Poeta Bocage n.º 2 - 2G
1600-233 Lisboa, Portugal
Tel: +351 214 189 815
Fax: +351 214 177 413
E-mail: Portugal@arjohuntleigh.com

SUISSE / SCHWEIZ

ArjoHuntleigh AG
Fabrikstrasse 8
Postfach
4614 Hägendorf,
Tél/Tel: +41 (0) 61 337 97 77
Fax: +41 (0) 61 311 97 42

SUOMI

ArjoHuntleigh OY
Vanha Porvoontie 229
FI-01380 VANTAA
Puh: +358 9 4730 4320
Faksi: +358 9 4730 4999

SVERIGE

ARJO Scandinavia AB
Verkstadsvägen 5
Box 61
SE-241 21 ESLÖV
Tel: +46 (0) 10-335 45 00
Fax: +46 (0) 413-138 76
E-mail: kundservice@arjohuntleigh.com

UNITED KINGDOM

ArjoHuntleigh UK
ArjoHuntleigh House
Houghton Hall Park
Houghton Regis
UK-DUNSTABLE LU5 5XF
Tel: +44 (0) 1582 745 700
Fax: +44 (0) 1582 745 745
E-mail:
sales.admin@ArjoHuntleigh.com

USA

ArjoHuntleigh Inc.
2349 W Lake Street Suite 250
Addison, IL 60101
Tel: +1 630 307 2756
Free: +1 800 323 1245 Institutional
Free: +1 800 868 0441 Home Care
Fax: +1 630 307 6195
E-mail: us.info@ArjoHuntleigh.com

ÖSTERREICH

ArjoHuntleigh GmbH
Dörrstrasse 85
AT-6020 INNSBRUCK
Tel: +43 (0) 512 204 160 0
Fax: +43 (0) 512 204 160 75

ARJOHUNTLEIGH

GETINGE GROUP

GETINGE GROUP is a leading global provider of products and systems that contribute to quality enhancement and cost efficiency within healthcare and life sciences. We operate under the three brands of **ArjoHuntleigh**, **GETINGE** and **MAQUET**. **ArjoHuntleigh** focuses on patient mobility and wound management solutions. **GETINGE** provides solutions for infection control within healthcare and contamination prevention within life sciences. **MAQUET** specializes in solutions, therapies and products for surgical interventions and intensive care.

www.ArjoHuntleigh.com

 **ArjoHuntleigh AB**
Verkstadsvägen 5
241 38 Eslöv
SWEDEN