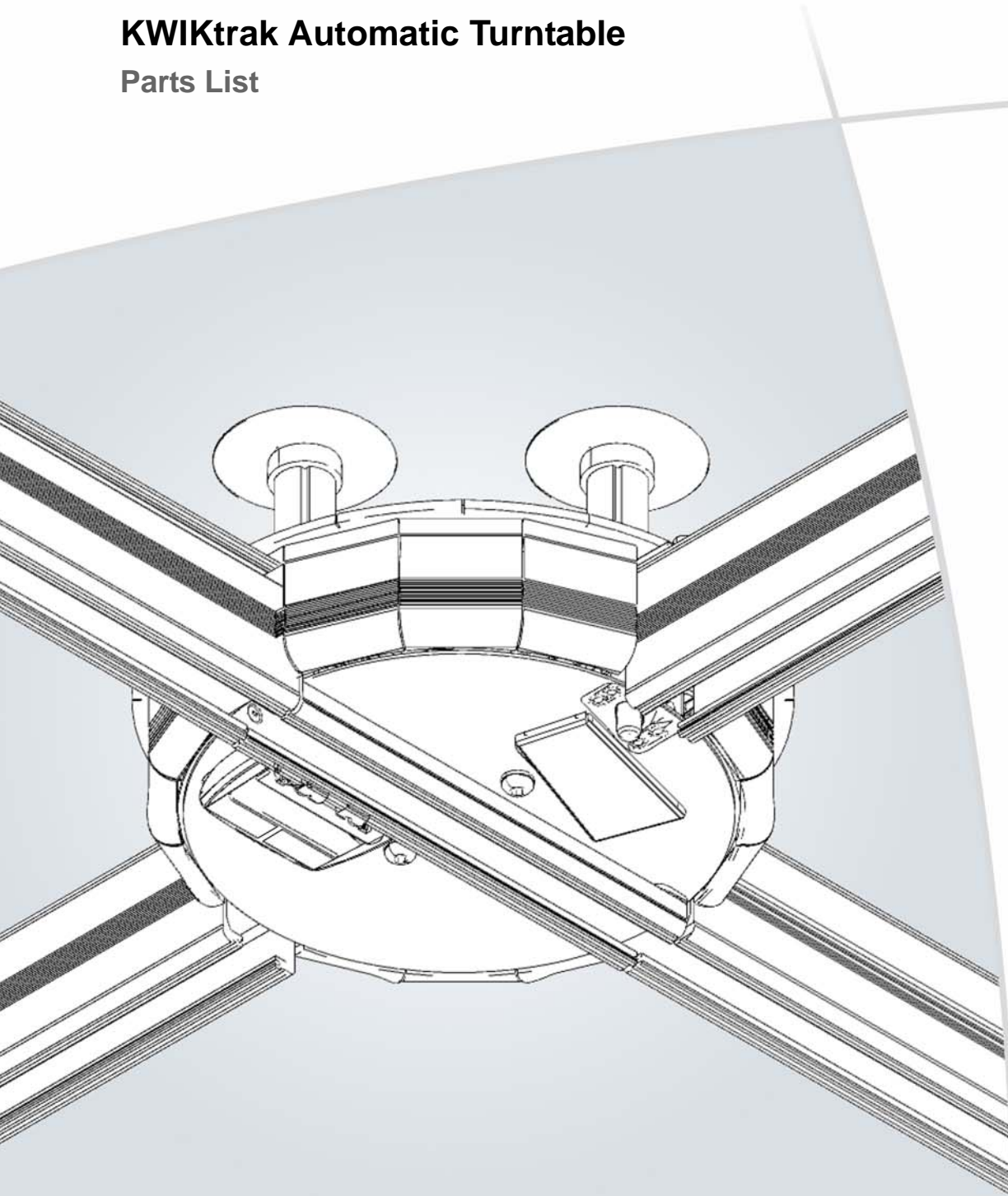


**KWIKtrak Automatic Turntable**  
Parts List



## Design Policy and Copyright

® and ™ are trademarks belonging to the ArjoHuntleigh group of companies.

© ArjoHuntleigh 2014.

As our policy is one of continuous improvement, we reserve the right to modify designs without prior notice.

The content of this publication may not be copied either whole or in part without the consent of ArjoHuntleigh.

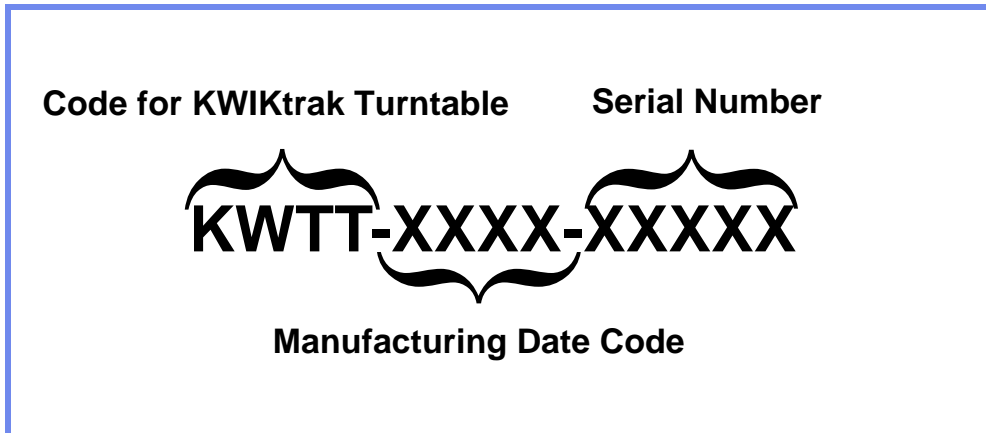
# Serial Number Information

Before ordering spare parts, study the exploded views closely and make sure that you are familiar with all the spare parts involved.

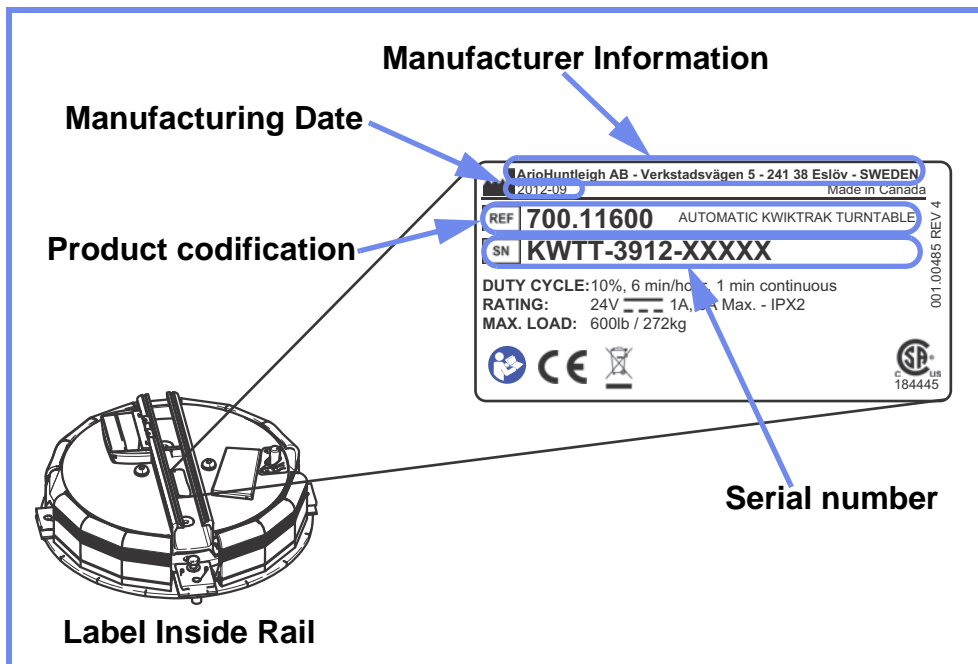
Before contacting the ArjoHuntleigh Sales department, always have the following information at hand:

- Correct name of the product (see Product Identification Label below).
- The serial number of the product (see Product Identification Label below).

## Serial Number Codification



## Product Identification Label



Modifications made to the equipment without ArjoHuntleigh's express acknowledgement will invalidate supplier's product liability.

# How to Read Parts List Tables

<p><b>Kit:</b> Refers to an item that consist of a replacement kit.</p>	<p><b>Part #:</b> Use these part numbers as a reference when ordering.</p>	<p><b>Description:</b> A short explanation of the kit being referred to.</p>	<p><b>Included Items:</b> Refers to items, listed in the table, that are contained within the kit. Letters refer to the relevant table. Numbers refer to an item in the table.</p>
---	--	--	--

**REPLACEMENT KITS TABLE**

Kit	Part #	Description	Included Items
K1	700-00001	FIRST REPLACEMENT KIT	B2
K2	700-00002	SECOND REPLACEMENT KIT	B6-B7
K3	700-00003	THIRD REPLACEMENT KIT	B1, B3-B4
K4	700-00004	FOURTH REPLACEMENT KIT	B5

<p><b>Item #:</b> Refers to callout numbers that point to the various parts in the exploded drawings.</p>	<p><b>Part #:</b> Use these part numbers as a reference when ordering.</p>	<p><b>Description:</b> A short explanation of the part being referred to.</p>	<p><b>From s/n to s/n:</b> indicates the first and last serial number of the product in which a particular part was included. See "Product Identification Label on page 3"</p>	<p><b>Qty:</b> Required quantity of the part found on each product.</p>	<p><b>Remarks:</b> General notes relevant to the part.</p>	<p><b>Kit:</b> Refers to a kit that includes the part.  <b>Note:</b> An item that belongs to a kit cannot be ordered separately.</p>
---	--	---	--	---	--	--

**A PARTS DETAIL TABLE**

Item	Part #	Description	From s/n	To s/n	Qty	Remarks	Kit
1	001-00001	FIRST PART			2		K3
2	001-00002	SECOND PART			2		K1
3	001-00003	THIRD PART			2		K3
4	001-00004	FOURTH PART			1		K3
5	001-00005	FIFTH PART			2	Include item 2	K4
6	001-00006	SIXTH PART	-	60095	8		K2
7	001-00007	SEVENTH PART	60096	-	2		K2

- Legend**
- 1— Callout for single item
  - (1) - - Callout for assembly kit
  - Assembly lines above components
  - Assembly lines behind components
  - Text in Blue Highlights changes from previous revision

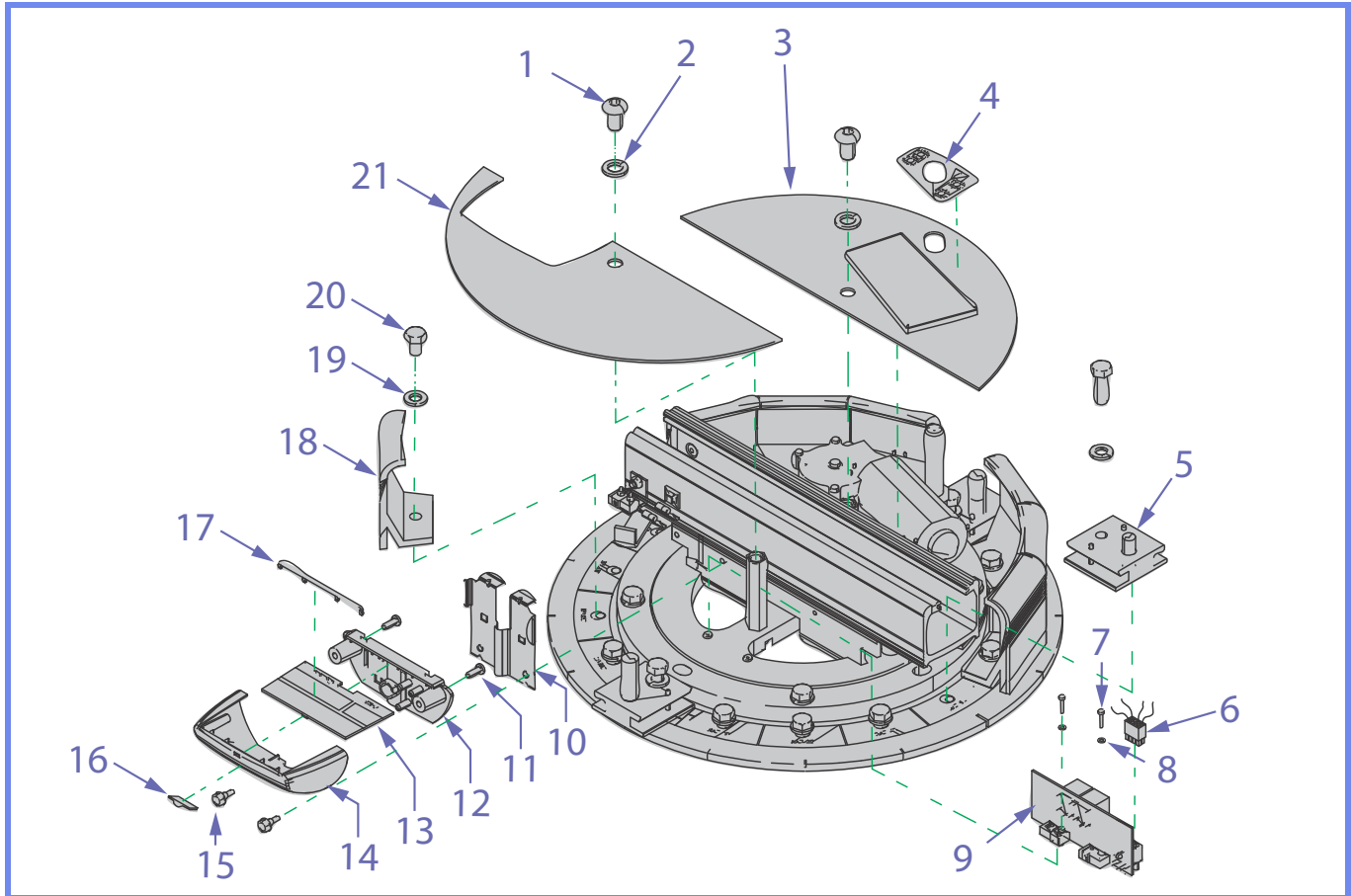
# Table of Contents

---

**Parts Description**..... 6  
    A - Housing ..... 6  
    B - Driving Mechanism..... 7  
    C - Limit Detection Mechanism ..... 9

# Parts Description

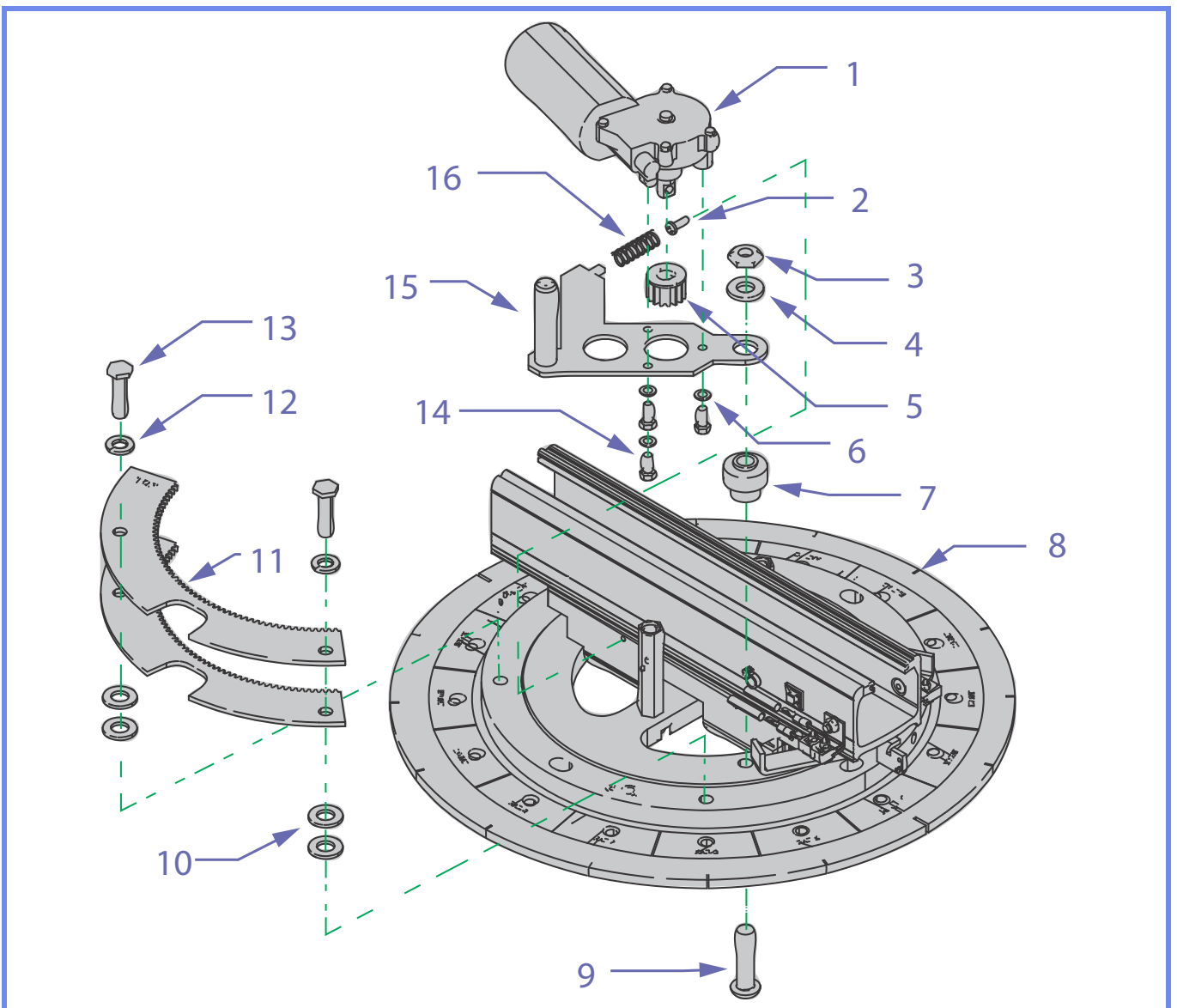
## A - Housing



### A HOUSING

Item	Part #	Description	From s/n	To s/n	Qty	Remarks	Kit
1	000.04060	M10 X 16 Zinc Button Head Cap Screw			2		
2	000.04425	M10 Zinc Lockwasher			2		
3	225.11740	Motor Cover			1		
4	001-11711	Quick Release Sticker			1		
5	700.11670	Track Bracket			4		
6	402.11700	Wiring Kit			1		
7	000.01960	M2.5 X 12 Screw			2		
8	000.01975	M2.5 Zinc Lockwasher			2		
9	492.00044-2	Circuit			1		
10	200.15550	Other Track Contact Plate			1		
11	000.02480	4.0 X 12 Plastite Tap Screw			2		
12	200.15530	Contact Box Base			1		
13	492.00041-2	Circuit Contact			1		
14	200.15520	Contact Box Cover			1		
15	000.02515	St4.8 X 13 Hex Self Tap Screw			2		
16	000.11610	Tie Wrap Bracket			2		
17	200.15535	Contact Divider			1		
18	225.11760	Stopper			14		
19	000.03960	M8 Zinc Lockwasher			16		
20	000.03600	M8 X 20 Hex Zinc Screw			14		
21	225.11750	Circuits Board Cover			1		

## B - Driving Mechanism

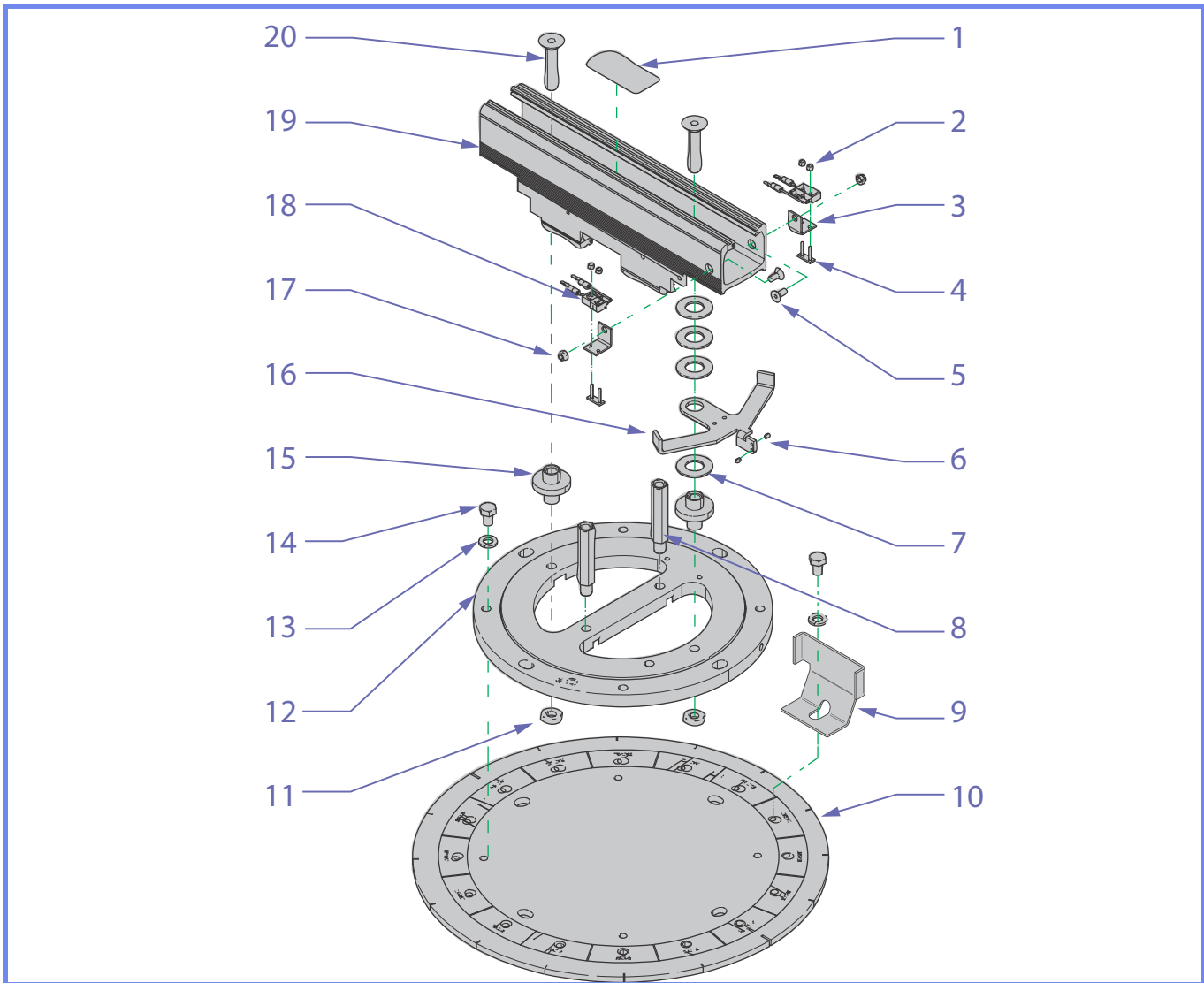


**B**

### **DRIVING MECHANISM**

Item	Part #	Description	From s/n	To s/n	Qty	Remarks	Kit
1	400.14010	Motor			1		
2	000.02480	4.0 X 12 Plastite Tap Screw			1		
3	000.04416.00	M10 Machined Self-locking Nut			1		
4	000.04450	M10 X 2.5t Nylon Flat Washer			1		
5	200.11850	Motor Gear			1		
6	000.02900	M5 Zinc Lockwasher			3		
7	200.11780	Motor Bushing			1		
8	001.11710	Stickers Kit			1		
9	000.04260	M10 X 40 Zinc Button Head Cap Screw			1		
10	000.04430	M10 Zinc Flat Washer			4		
11	203.11820	Rack Gear			2		
12	000.03960	M8 Zinc Lockwasher			2		
13	000.03680.00	M8 X 30 Hex Zinc Machined Screw			2		
14	000.02550	M5 X 12 Hex Zinc Screw			3		
15	205.11800	Quick Release Bushing			1		
16	000.07020	Spring			1		

## C - Limit Detection Mechanism



### C LIMIT DETECTION MECHANISM

Item	Part #	Description	From s/n	To s/n	Qty	Remarks	Kit
1							
2	000.01970	M2.5 Zinc Self-locking Nut			4		
3	203.11815	Limit Bracket			2		
4	200.14090	Limit Fastener			2		
5	010.02570	M5 X 12 Flat Head Screw			2		
6	000.02010	M3 X 5 Zinc Setscrew			2		
7	000.11605	16 Mm Disk Spring			4		
8	203.11770	Cover Bushing			2		
9	203.11860	Track Simulation Bracket			1		
10	225.11700	Main Plate			1		
11	000.04418	M10 Zinc Self-locking Nut			4		
12	200.11715	Slewing Bearing			1		
13	000.03960	M8 Zinc Lockwasher			18		
14	000.03635	M8 X 20 Hex Zinc Screw			2		
15	200.11705	Reinforcement Bushing			2		
16	203.11810	Limit Arm			1		
17	000.02800	M5 Zinc Self-locking Nut			2		
18	465.00015	Limit Switch With Wires			2		
19	200.11730	Central Track			1		
20	000.04280	M10 X 50 Zinc Flat Head Screw			2		



**AUSTRALIA**

ArjoHuntleigh Pty Ltd  
78, Forsyth street  
O'Connor  
AU-6163 Western Australia  
Tel: +61 89337 4111  
Free: +1 800 072 040  
Fax: + 61 89337 9077

**BELGIQUE / BELGIË**

ArjoHuntleigh NV/SA  
Evenbroekveld 16  
BE-9420 ERPE-MERE  
Tél/Tel: +32 (0) 53 60 73 80  
Fax: +32 (0) 53 60 73 81  
E-mail: info@arjohuntleigh.be

**BRASIL**

Maquet do Brasil Equipamentos Médicos Ltda  
Rua Tenente Alberto Spicciati, 200  
Barra Funda, 01140-130  
SÃO PAULO, SP - BRASIL  
Fone: +55 (11) 2608-7400  
Fax: +55 (11) 2608-7410

**CANADA**

ArjoHuntleigh  
90 Matheson Boulevard West  
Suite 300  
CA-MISSISSAUGA, ON, L5R 3R3  
Tel/Tél: +1 905 238 7880  
Free: +1 800 665 4831 Institutional  
Free: +1 800 868 0441 Home Care  
Fax: +1 905 238 7881  
E-mail: info.canada@arjohuntleigh.com

**ČESKÁ REPUBLIKA**

ArjoHuntleigh s.r.o.  
Hlinky 118  
CZ-603 00 BRNO  
Tel: +420 549 254 252  
Fax: +420 541 213 550

**DANMARK**

ArjoHuntleigh A/S  
Vassingerødvej 52  
DK-3540 LYNGE  
Tel: +45 49 13 84 86  
Fax: +45 49 13 84 87  
E-mail: info.dk@arjohuntleigh.com

**DEUTSCHLAND**

ArjoHuntleigh GmbH  
Peter-Sander-Strasse 10  
DE-55252 MAINZ-KASTEL  
Tel: +49 (0) 6134 186 0  
Fax: +49 (0) 6134 186 160  
E-mail: info-de@arjohuntleigh.com

**ΕΛΛΑΔΑ**

C. Psimitis Co Ltd  
Dimitriou Andr. 59  
GR-16121 KAISARIANI ATTIKIS  
Τηλ: 21 0724 36 68  
Φάξ: 21 0721 55 53

**ESPAÑA**

ArjoHuntleigh Ibérica S.L.  
Ctra. de Rubí, 88 1ª planta - A1  
08173 Sant Cugat del Vallés  
ES- BARCELONA 08173  
Tel: +34 93 583 11 20  
Fax: +34 93 583 11 22  
E-mail: info.es@arjohuntleigh.com

**FRANCE**

ArjoHuntleigh SAS  
2 Avenue Alcide de Gasperi  
CS 70133  
FR-59436 RONCQ CEDEX  
Tél: +33 (0) 3 20 28 13 13  
Fax: +33 (0) 3 20 28 13 14  
E-mail : info.france@arjohuntleigh.com

**HONG KONG**

ArjoHuntleigh (Hong Kong) Ltd  
1510-17, 15/F, Tower 2  
Kowloon Commerce Centre  
51 Kwai Cheong Road  
Kwai Chung  
HONG KONG  
Tel: +852 2207 6363  
Fax: +852 2207 6368

**INTERNATIONAL**

ArjoHuntleigh International Ltd.  
ArjoHuntleigh House  
Houghton Hall Park  
Houghton Regis  
UK-DUNSTABLE LU5 5XF  
Tel: +44 (0) 1582 745 800  
Fax: +44 (0) 1582 745 866  
E-mail:  
international@ArjoHuntleigh.com

**ITALIA**

ArjoHuntleigh S.p.A.  
Via di Tor Vergata 432  
IT-00133 ROMA  
Tel: +39 (0) 6 87426211  
Fax: +39 (0) 6 87426222  
E-mail: Italy.promo@arjohuntleigh.com

**NEDERLAND**

ArjoHuntleigh Nederland BV  
Biezenwei 21  
4004 MB TIEL  
Postbus 6116  
4000 HC TIEL  
Tel: +31 (0) 344 64 08 00  
Fax: +31 (0) 344 64 08 85  
E-mail: info.nl@arjohuntleigh.com

**NEW ZEALAND**

ArjoHuntleigh Ltd  
41 Vestey Drive  
Mount Wellington  
NZ-AUCKLAND 1060  
Tel: +64 (0) 9 573 5344  
Free Call: 0800 000 151  
Fax: +64 (0) 9 573 5384  
E-mail: nz.info@ArjoHuntleigh.com

**NORGE**

ArjoHuntleigh Norway AS  
Olaf Helsetts vei 5  
NO-0694 OSLO  
Tel: +47 22 08 00 50  
Faks: +47 22 57 06 52  
E-mail: no.kundeservice@arjohuntleigh.com

**ÖSTERREICH**

ArjoHuntleigh GmbH  
Dörrstrasse 85  
AT-6020 INNSBRUCK  
Tel: +43 (0) 512 204 160 0  
Fax: +43 (0) 512 204 160 75

**POLSKA**

ArjoHuntleigh Polska Sp. z o.o.  
ul. Ks Piotra Wawrzyniaka 2  
PL-62-052 KOMORNIKI (Poznan)  
Tel: +48 61 662 15 50  
Fax: +48 61 662 15 90  
E-mail: arjo@arjohuntleigh.com

**PORTUGAL**

ArjoHuntleigh em Portugal:  
MAQUET Portugal, Lda. (Distribuidor Exclusivo)  
Rua Poeta Bocage n.º 2 - 2G  
PT-1600-233 Lisboa  
Tel: +351 214 189 815  
Fax: +351 214 177 413  
E-mail: Portugal@arjohuntleigh.com

**SUISSE / SCHWEIZ**

ArjoHuntleigh AG  
Fabrikstrasse 8  
Postfach  
CH-4614 HÄGENDORF  
Tél/Tel: +41 (0) 61 337 97 77  
Fax: +41 (0) 61 311 97 42

**SUOMI**

Oy Vestek AB  
Martinkuja 4  
FI-02270 ESPOO  
Puh: +358 9 8870 120  
E-mail: info@vestek.fi

**SVERIGE**

ARJO Scandinavia AB  
Verkstadsvägen 5  
Box 61  
SE-241 21 ESLÖV  
Tel: +46 (0) 10-494 7760  
Fax: +46 (0) 413-138 76  
E-mail: kundservice@arjohuntleigh.com

**UNITED KINGDOM**

ArjoHuntleigh UK  
ArjoHuntleigh House  
Houghton Hall Park  
Houghton Regis  
UK-DUNSTABLE LU5 5XF  
Tel: +44 (0) 1582 745 700  
Fax: +44 (0) 1582 745 745  
E-mail:  
sales.admin@ArjoHuntleigh.com

**USA**

ArjoHuntleigh Inc.  
2349 W Lake Street Suite 250  
US-Addison, IL 60101  
Tel: +1 630 307 2756  
Free: +1 800 323 1245 Institutional  
Free: +1 800 868 0441 Home Care  
Fax: +1 630 307 6195  
E-mail: us.info@ArjoHuntleigh.com

# ARJOHUNTLEIGH

GETINGE GROUP

**GETINGE GROUP** is a leading global provider of products and systems that contribute to quality enhancement and cost efficiency within healthcare and life sciences. We operate under the three brands of **ArjoHuntleigh**, **GETINGE** and **MAQUET**. **ArjoHuntleigh** focuses on patient mobility and wound management solutions. **GETINGE** provides solutions for infection control within healthcare and contamination prevention within life sciences. **MAQUET** specializes in solutions, therapies and products for surgical interventions and intensive care.

[www.ArjoHuntleigh.com](http://www.ArjoHuntleigh.com)

---



**ArjoHuntleigh AB**  
Hans Michelsensgatan 10  
211 20 Malmö  
SWEDEN