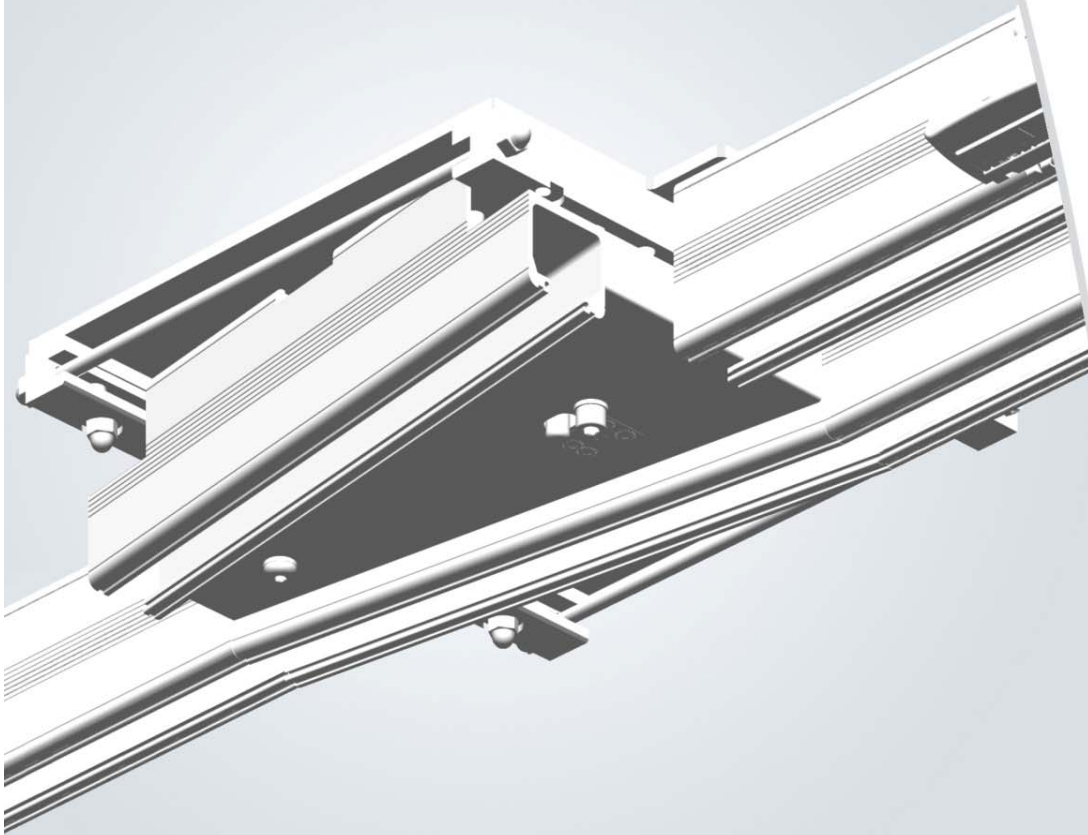


# KWIKTRAK EXCHANGER

Parts List



CE

Design Policy and Copyright

® and ™ are trademarks belonging to the ArjoHuntleigh group of companies.

© ArjoHuntleigh 2014.

As our policy is one of continuous improvement, we reserve the right to modify designs without prior notice. The content of this publication may not be copied either whole or in part without the consent of ArjoHuntleigh.

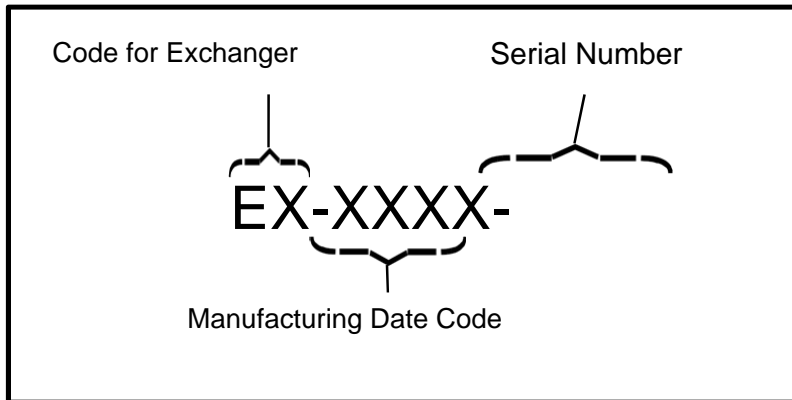
# Serial Number Information

Before ordering spare parts, study the exploded views closely and make sure that you are familiar with all the spare parts involved.

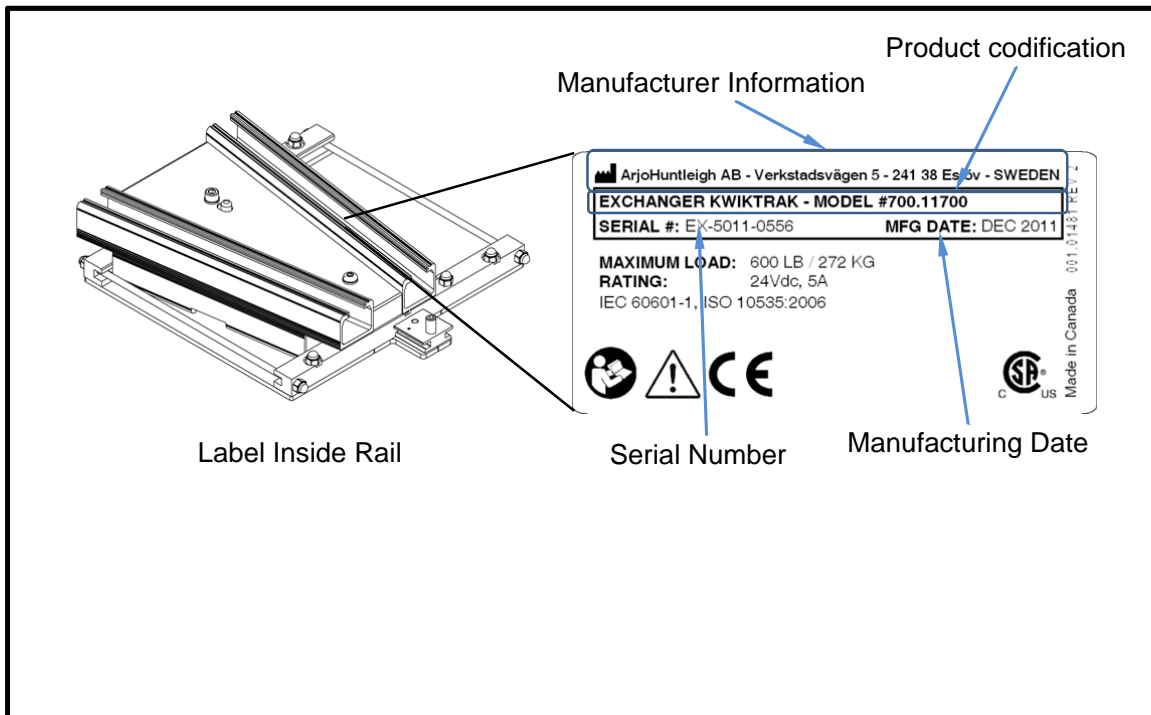
Before contacting the ArjoHuntleigh Sales department, always have the following information at hand:

- Correct name of the product (see Product Identification Label below).
- The serial number of the product (see Product Identification Label below).

## Serial Number Codification

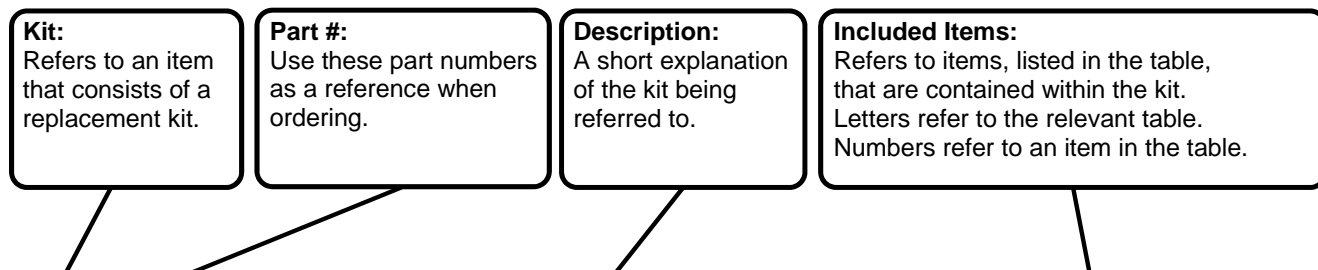


## Product Identification Label



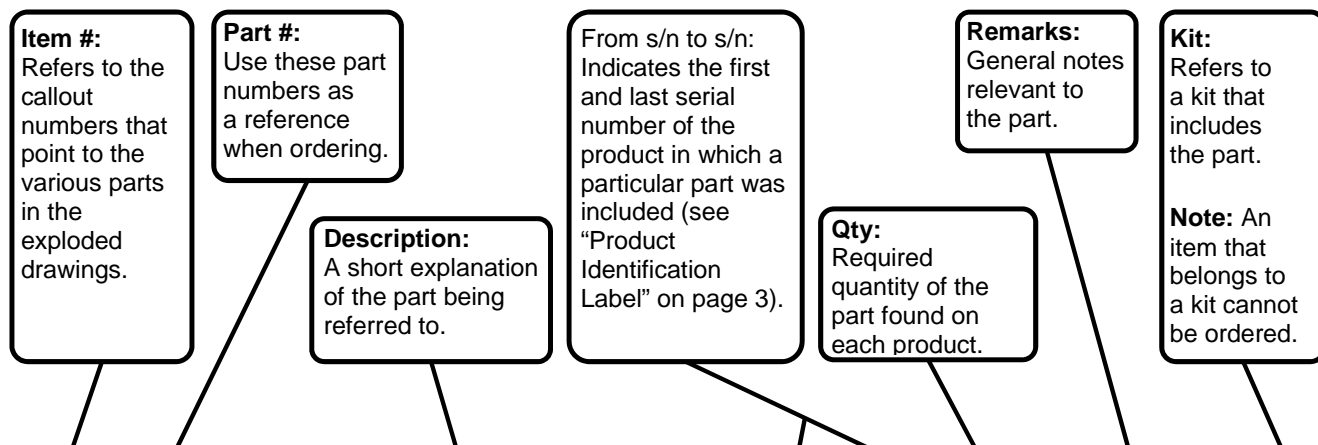
Modifications made to the equipment without ArjoHuntleigh's express acknowledgement will invalidate supplier's product liability.

# How to Read Parts List Tables



**A Replacement Kits Table**

Item	Part #	Description	Included Items
K1	700-00001	FIRST REPLACEMENT KIT	B2
K2	700-00002	SECOND REPLACEMENT KIT	B6-B7
K3	700-00003	THIRD REPLACEMENT KIT	B1, B3-B4
K5	700-00004	FOURTH REPLACEMENT KIT	B5

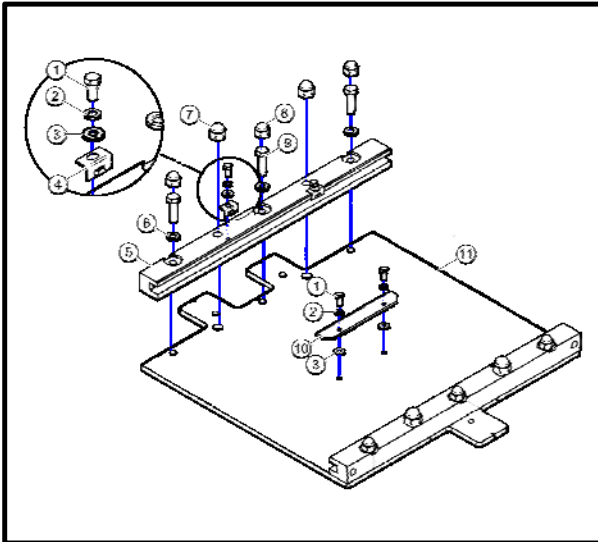


**B Parts Detail Table**

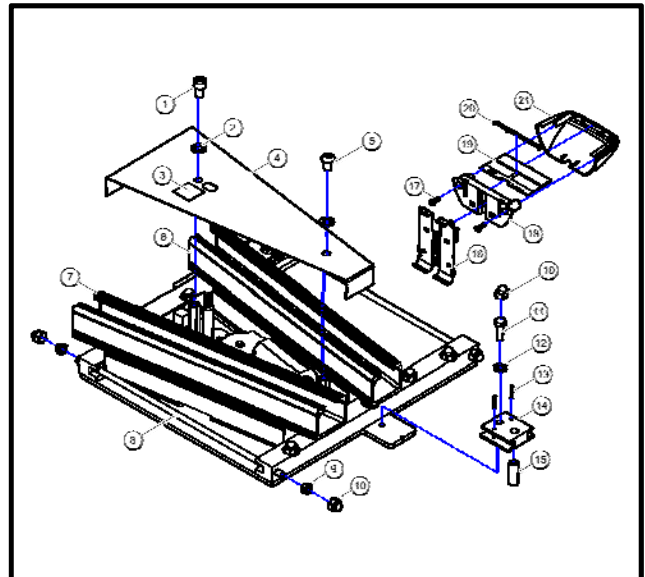
Item	Part #	Description	From s/n	To s/n	Qty	Remarks	Kit
1	001-00001	FIRST PART			2		K3
2	001-00002	SECOND PART			2		K1
3	001-00003	THIRD PART			2		K3
4	001-00004	FOURTH PART			1		K3
5	001-00005	FIFTH PART			2		K4
6	001-00006	SIXTH PART			8		K2
7	001-00007	SEVENTH PART			2		K2

# Contents

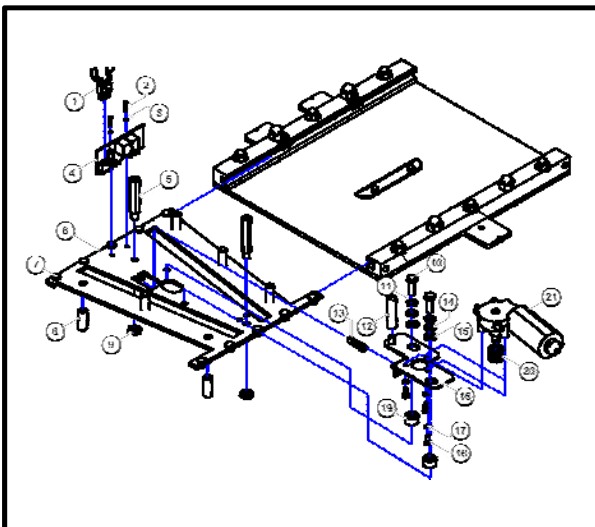
Serial Number Codification.....	3
Product Identification Label .....	3
A – Fix plate.....	6
B – Movable Plate & Activation Station .....	7
C – Driving Mechanism .....	8



A – Fix plate , page 6

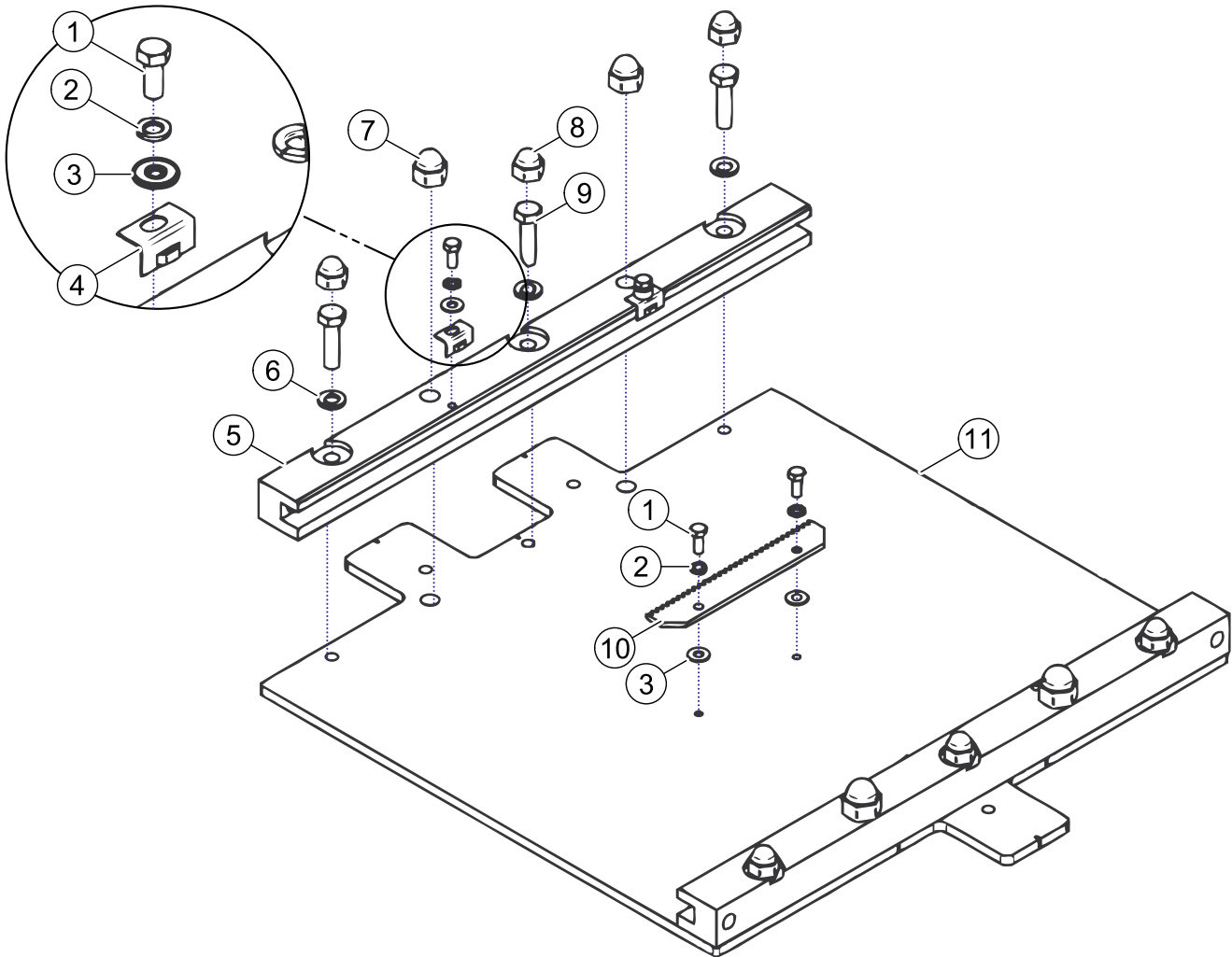


B – Movable Plate & Activation Station, page 7



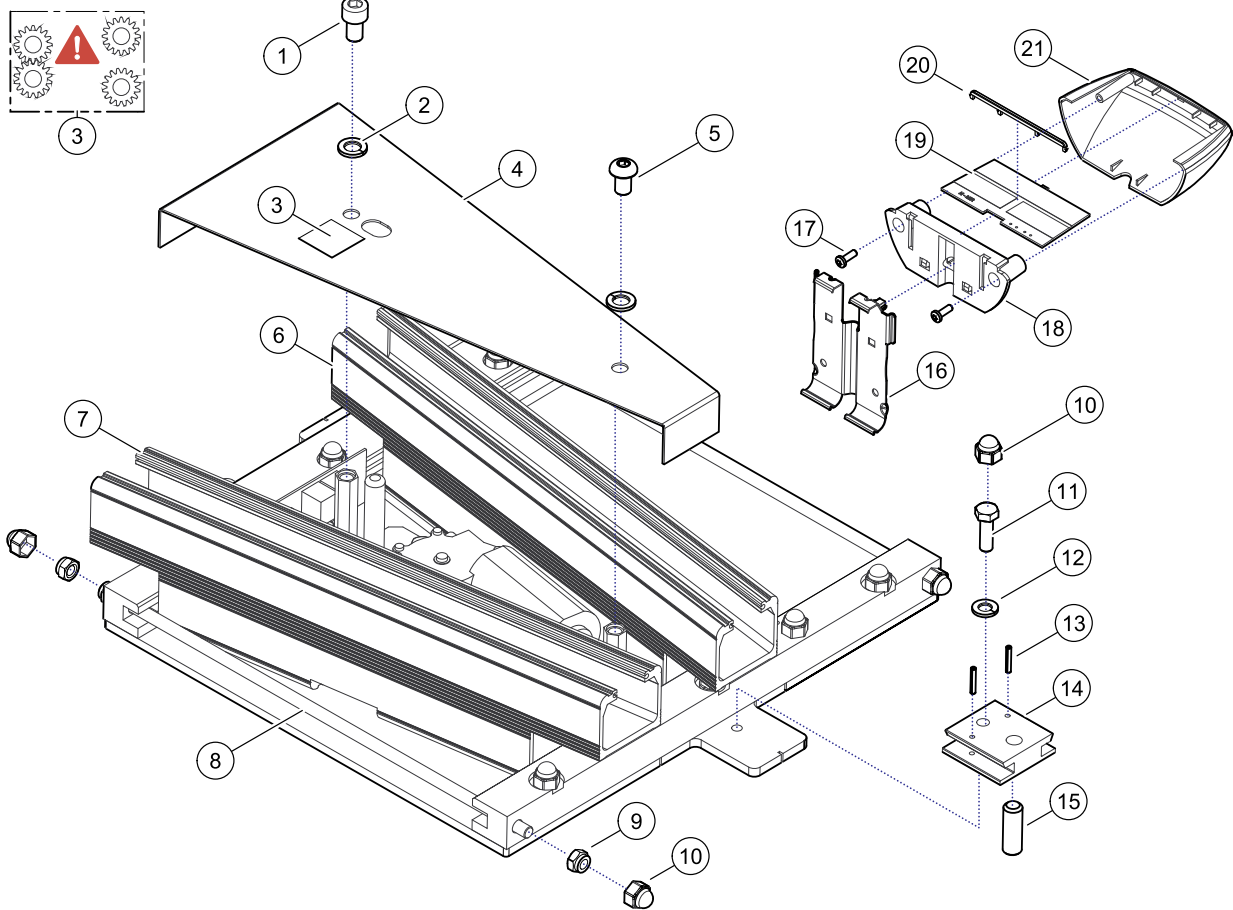
C – Driving Mechanism, page 8

## A – Fix plate



<b>A</b>				
<b>FIX PLATE</b>				
<b>Item #</b>	<b>Part #</b>	<b>Description</b>	<b>Qty</b>	<b>Remarks</b>
1	000.02550	M5 X 12 HEX ZINC SCREW	5	
2	000.02900	M5 ZINC LOCKWASHER	7	
3	000.02905	M5 X 12OD X 1TH ZINC FLAT WASHER	4	
4	200.12220	EXCHANGER LIMIT BLADE	2	
5	225.12140	SLIDE BLOCK	2	
6	000.03960	M8 ZINC LOCKWASHER	11	
7	000.00398	WHITE PLASTIC CAP FOR 3/8 SCREW	4	
	000.04420	WHITE PLASTIC CAP FOR M10 SCREW	4	
8	000.03810	WHITE PLASTIC CAP FOR M8 SCREW	13	
9	000.03680	M8 X 30 HEX ZINC SCREW	6	
10	225.12160	EXCHANGER RACK GEAR	1	
11	225.12100	EXCHANGER MAIN PLATE	1	
	001.11730	EXCHANGER USER MANUAL		Not Shown

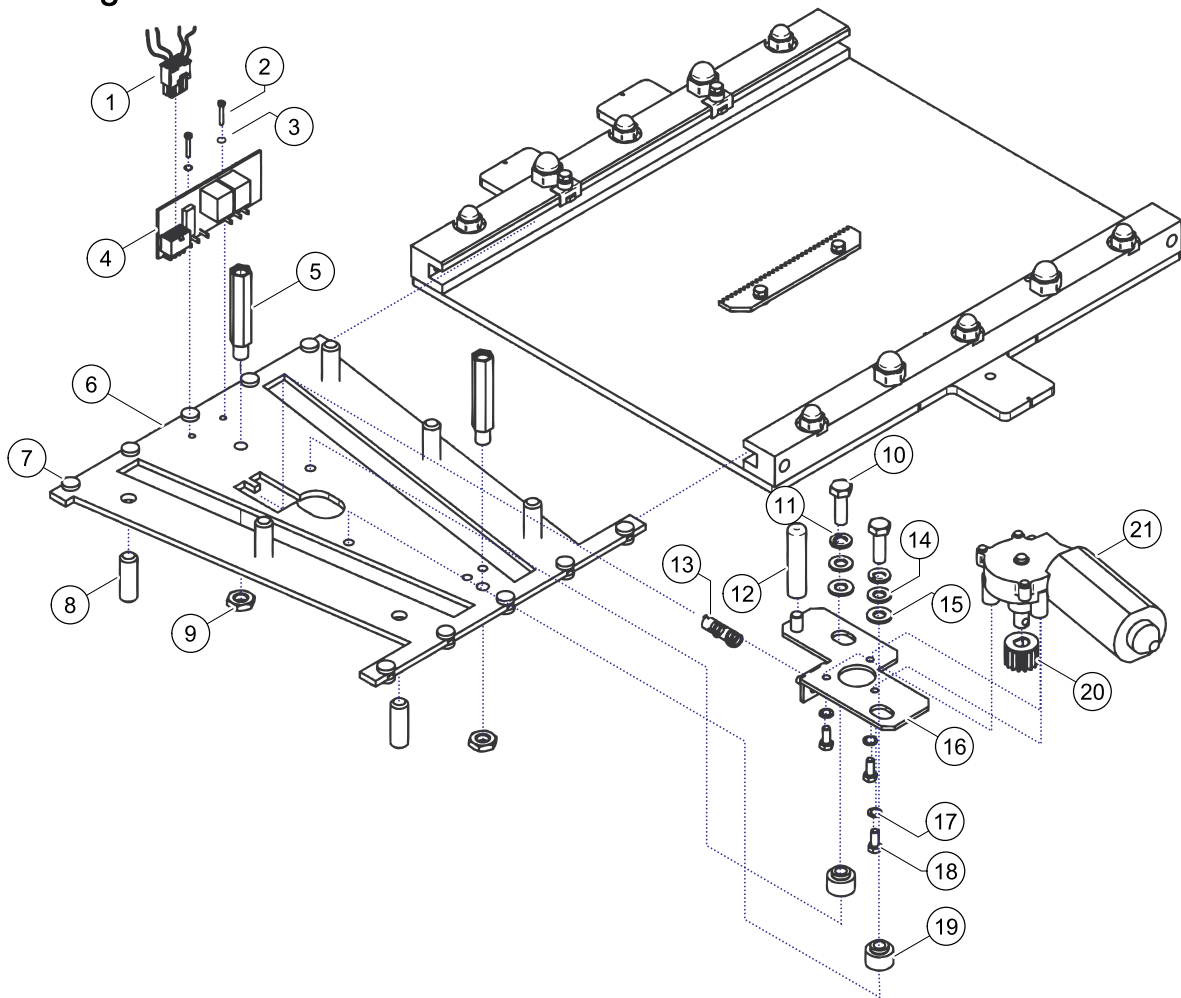
## B – Movable Plate & Activation Station



<b>B</b>				
<b>MOVABLE PLATE &amp; ACTIVATION STATION</b>				
<b>Item #</b>	<b>Part #</b>	<b>Description</b>	<b>Qty</b>	<b>Remarks</b>
1	000.04020	M10 X 16 SOCKET ZINC SCREW	1	
2	000.04425	M10 ZINC LOCKWASHER	2	
3	001.11715	EMERGENCY UNLOCK STICKER	1	
4	225.12210	EXCHANGER COVER	1	
5	000.04060	M10 X 16 BUTTON ZINC SCREW	1	
6	200.12130	EXCHANGER TRACK #2	1	
7	200.12120	EXCHANGER TRACK #1	1	
8	225.12180	EXCHANGER ADJUST ROD	2	
9	000.03800	M8 ZINC LOCKNUT	4	
10	000.03810	WHITE PLASTIC CAP FOR M8 SCREW	13	
11	000.03675	M8 X 25 HEX ZINC SCREW	5	
12	000.03960	M8 ZINC LOCKWASHER	11	
13	000.00805	1/8 X 3/4 ZINC SPRING PIN	6	
14	225.11840	RAIL ATTACHMENT	3	Must order K1
15	000.04585	M12 X 35 ZINC SETSCREW	9	
16	225.15540	CONTACT BOX PLATE	1	
17	000.02480	PLASTITE 4.0 X 12 TAP SCREW	2	
18	200.15530	CONTACT BOX BASE	1	
19	492.00041-2	CIRCUIT CONTACT EXCHANGER	1	
20	200.15535	CONTACT DIVIDER	1	
21	200.15520	CONTACT BOX COVER	1	
	001.14040	CONTACT BOX POSITION STICKER	1	Not Shown
<b>REPLACEMENT KITS</b>				
<b>Kit</b>	<b>Part #</b>	<b>Description</b>	<b>Included Items</b>	
K1	700.11670	RAIL ATTACHMENT REPLACEMENT KIT	B11 – B15	

001.11740 rev. 2

## C – Driving Mechanism



<b>C</b>				
<b>MOVABLE PLATE &amp; ACTIVATION STATION</b>				
<b>Item #</b>	<b>Part #</b>	<b>Description</b>	<b>Qty</b>	<b>Remarks</b>
1	402.11700	WIRING KIT KWIKTRAK ACCESSORIES	1	
2	000.01965	M2.5 X 16 ZINC SCREW	2	
3	000.01975	M2.5 LOCKWASHER	2	
4	492.00044-3	CIRCUIT EXCHANGER KWIKTRAK	1	
5	203.11770	BUSHING COVER TT	2	
6	203.12110	EXCHANGER SLIDE PLATE	1	
7	200.12150	EXCHANGER SLIDER	10	
8	000.04585	M12 X 35 ZINC SETSCREW	9	
9	000.04418	M10 ZINC JAM NUT	2	
10	000.03675	M8 X 25 HEX ZINC SCREW	5	
11	000.03960	M8 ZINC LOCKWASHER	11	
12	205.11800	QR BUSHING TT	1	
13	000.07020	QR SPRING	1	
14	000.03895	M8 ZINC FLAT WASHER	3	
15	000.03890	M8 NYLON FLAT WASHER	2	
16	203.12170	EXCHANGER MOTOR SUPPORT	1	
17	000.02900	LOCKWASHER M5 ZINC	7	
18	000.02550	M5 X 12 HEX ZINC SCREW	5	
19	200.12190	EXCHANGER MOTOR BUSHING	2	
20	200.14250	MOTOR GEAR	1	
21	400.14010	MOTOR	1	
	C5CUMNL/P2	CONNECTOR AMP PLUG 2	1	Not shown
	C5CUMNL/PIN	CONNECTOR AMP PIN 20-14	2	Not shown

001.11740 rev. 2





# ARJOHUNTLEIGH

GETINGE GROUP

**GETINGE GROUP** is a leading global provider of products and systems that contribute to quality enhancement and cost efficiency within healthcare and life sciences. We operate under the three brands of **ArjoHuntleigh**, **GETINGE** and **MAQUET**. **ArjoHuntleigh** focuses on patient mobility and wound management solutions. **GETINGE** provides solutions for infection control within healthcare and contamination prevention within life sciences. **MAQUET** specializes in solutions, therapies and products for surgical interventions and intensive care.

[www.ArjoHuntleigh.com](http://www.ArjoHuntleigh.com)

---



ArjoHuntleigh AB  
Hans Michelsensgatan 10  
211 20 Malmö  
SWEDEN