

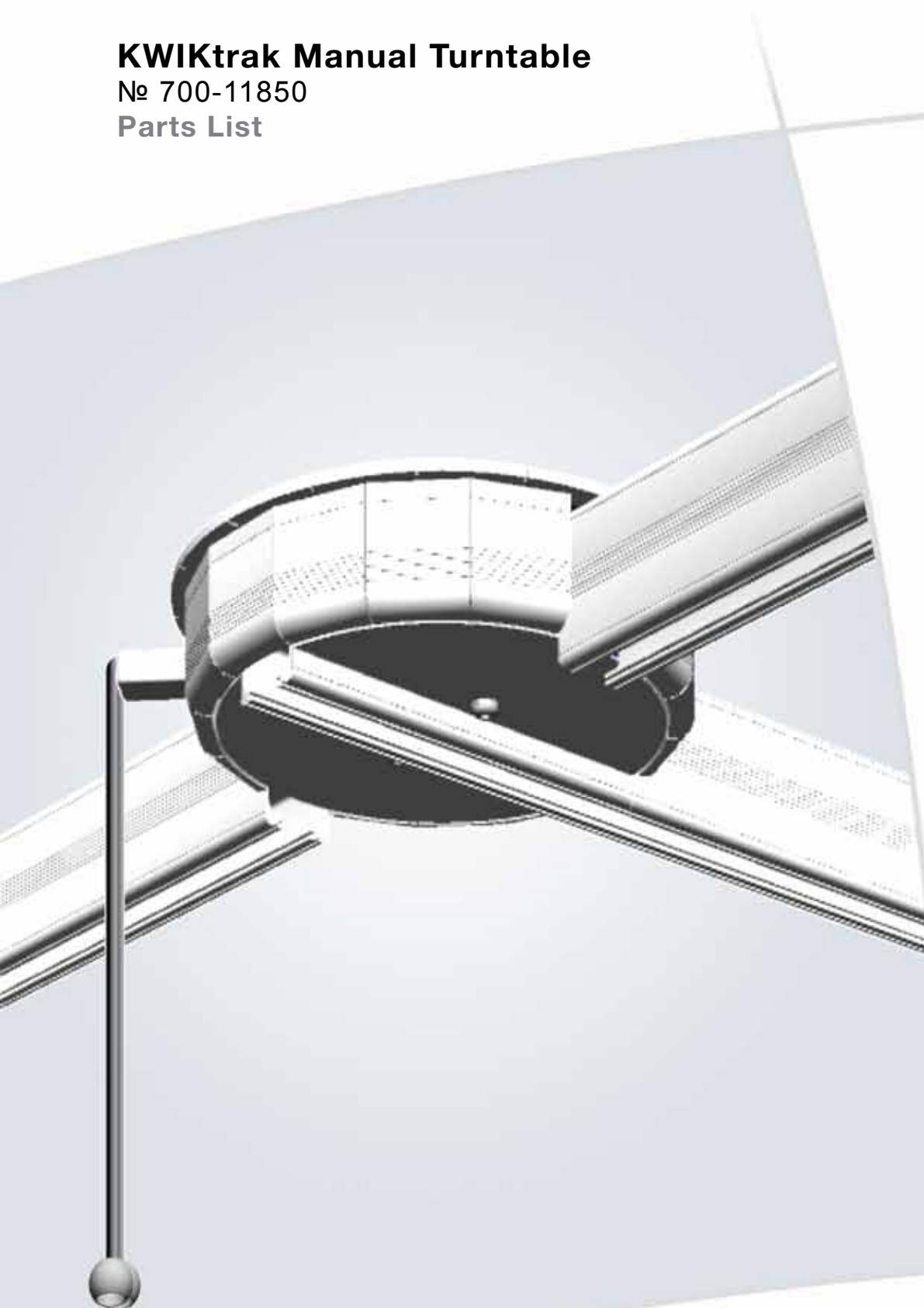
ARJOHUNTLEIGH

GETINGE GROUP

KWIKtrak Manual Turntable

No 700-11850

Parts List



CE

General Information

PART LIST REVISION HISTORY

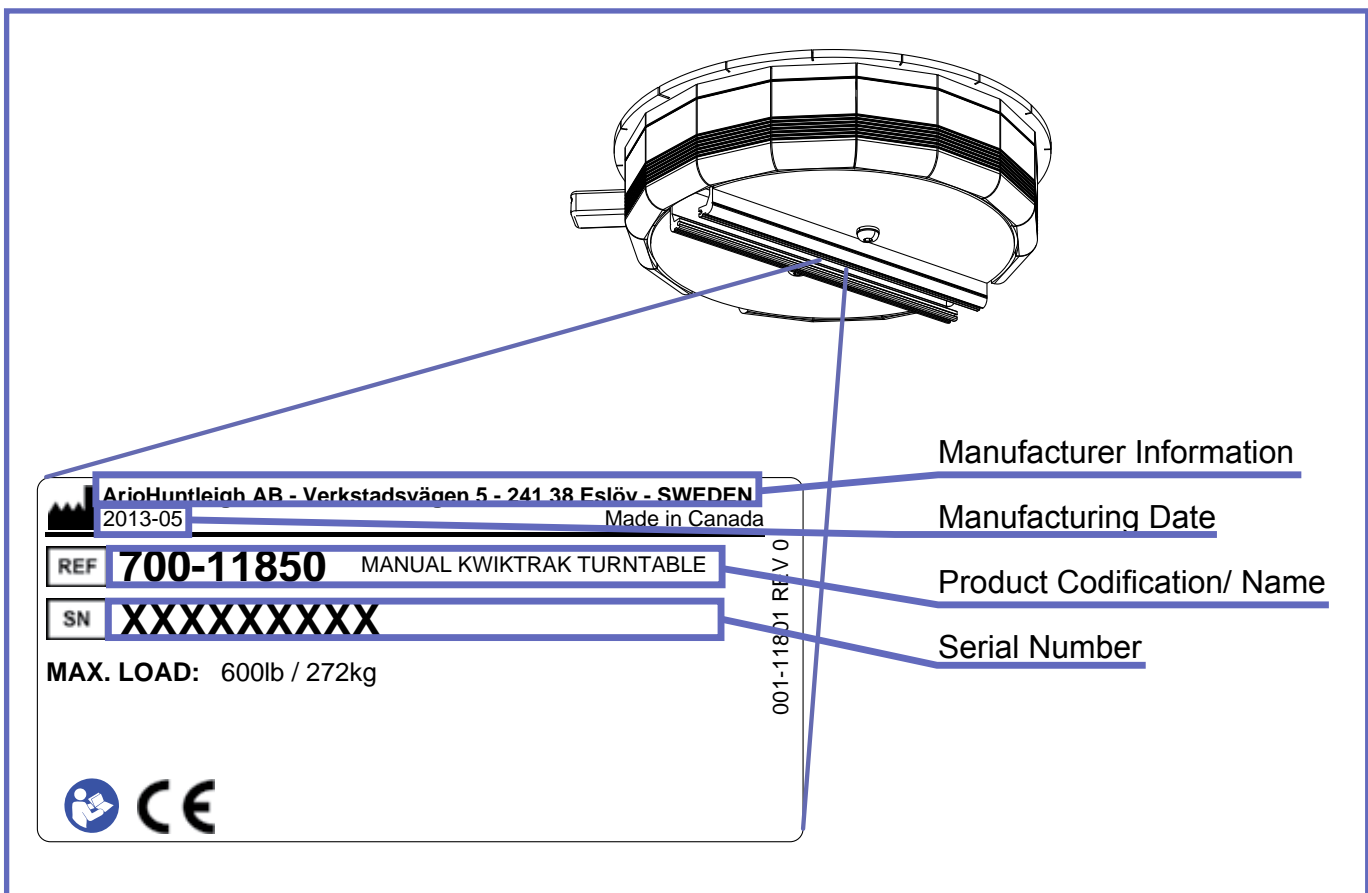
Revision	Change	Serial		Affected pages
		From	To	
0	Initial release		-	

Before ordering spare parts, study the exploded view closely and make sure that you are familiar with all the spare parts involved.

Before contacting the ArjoHuntleigh Parts Sales department, always have the following information at hand:

- Correct name of the product (see Product Identification Label below).
- The serial number of the product (see Product Identification Label below).

Product Identification Label



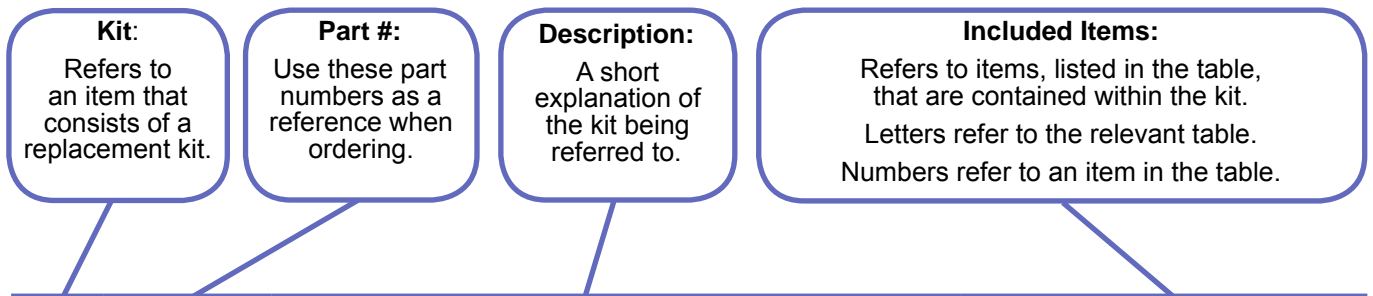
Modifications made to the equipment without ArjoHuntleigh's express acknowledgement will invalidate supplier's product liability.

Design Policy and Copyright

® and ™ are trademarks belonging to the ArjoHuntleigh group of companies.
© ArjoHuntleigh 2013.

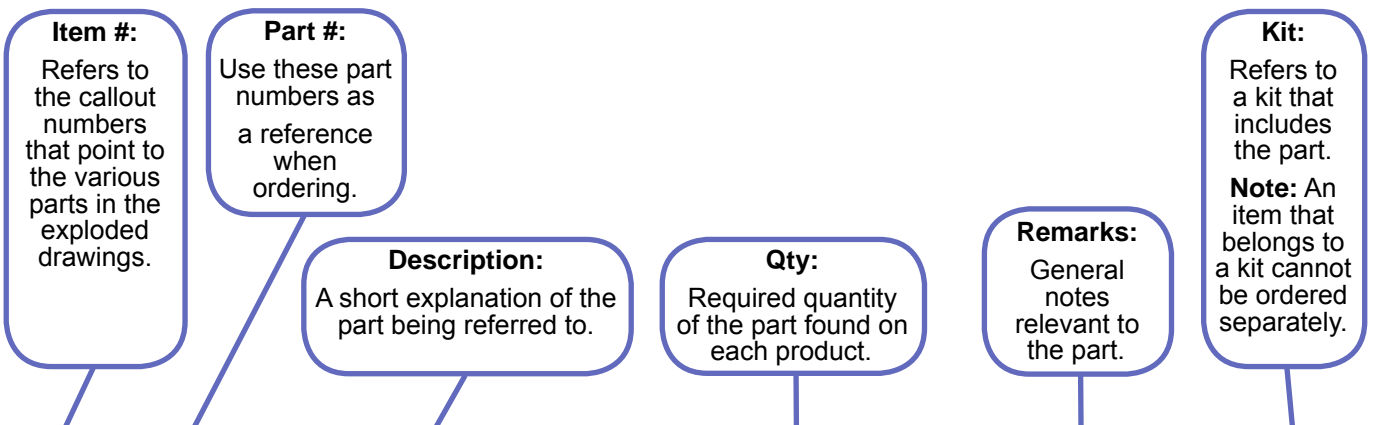
As our policy is one of continuous improvement, we reserve the right to modify designs without prior notice. The content of this publication may not be copied either whole or in part without the consent of ArjoHuntleigh.

How to Read Parts List Tables



A *REPLACEMENT KITS TABLE*

Item	Part #	Description	Included Items
K1	700-00001	FIRST REPLACEMENT KIT	B2
K2	700-00002	SECOND REPLACEMENT KIT	B6-B7
K3	700-00003	THIRD REPLACEMENT KIT	B1, B3-B4
K4	700-00004	FOURTH REPLACEMENT KIT	B5



B *PARTS DETAIL TABLE*

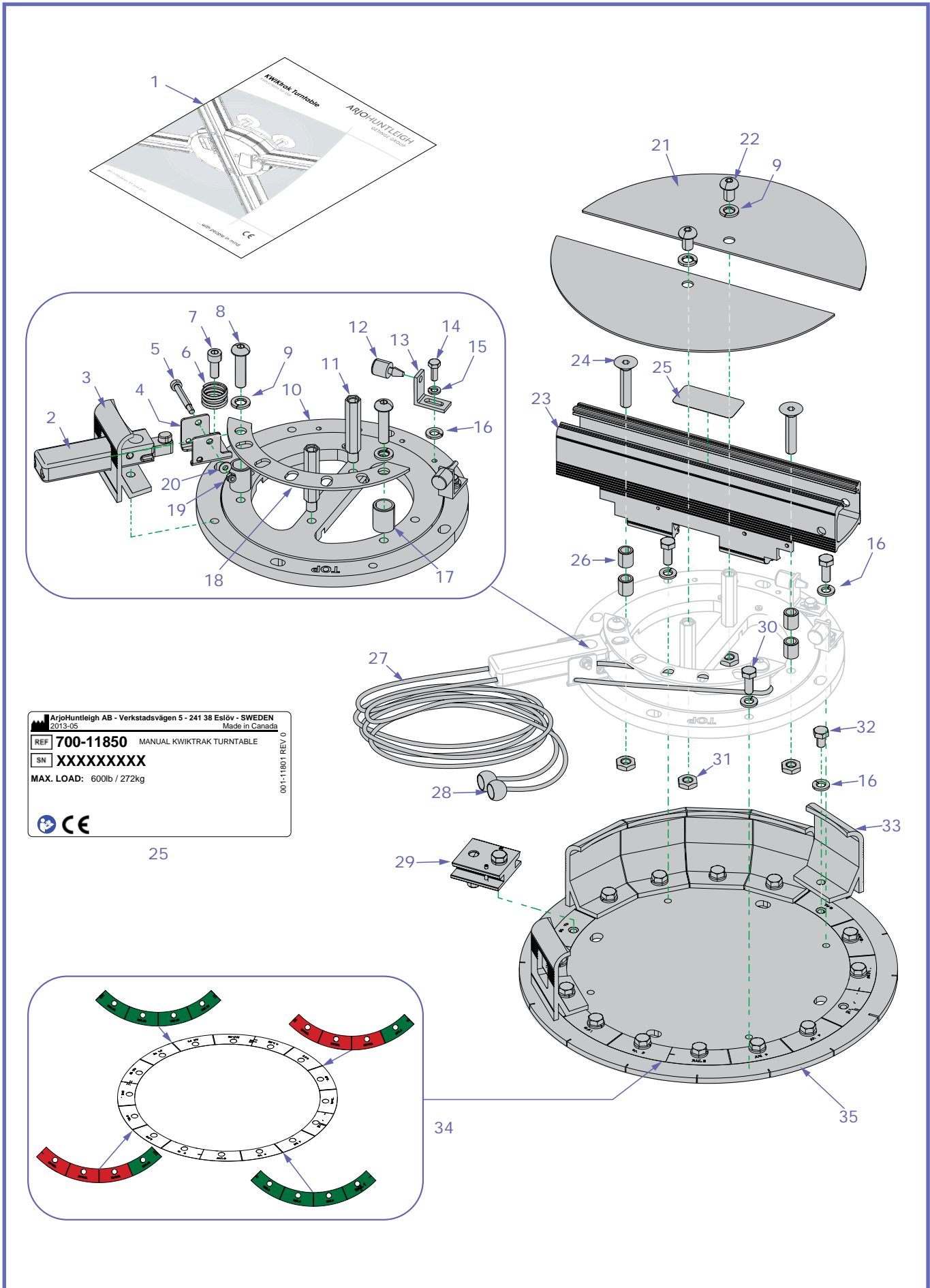
Item	Part #	Description	Qty	Remarks	Kit
1	001-00001	FIRST PART	2		K3
2	001-00002	SECOND PART	2		K1
3	001-00003	THIRD PART	2		K3
4	001-00004	FOURTH PART	1		K3
5	001-00005	FIFTH PART	2		K4
6	001-00006	SIXTH PART	8		K2
7	001-00007	SEVENTH PART	2		K2

Legend

- 1 → Callout for single item
- ① --- Callout for assembly kit
- Assembly lines above components
- Assembly lines behind components
- Text in Green Highlights changes from previous revision

Exploded Views

A - Turntable



001-11609-EN rev. 0

A**TURNTABLE**

ITEM	PART №	DESCRIPTION	QTY	REMARKS	KIT
1	001.11720.XX	Instruction For Use	1	Specify language when ordering	
2	200-11803	Activation Arm	1		
3	225-11761	Open Track Stopper	1		
4	203-11802	Activation Arm Bracket	1		
5	000-04103	Shoulder Screw M5 6X35	1		
6	200.14140	Spring 20 lb	1		
7	000.03616	Screw M8 X 20 Socket Zinc	1		
8	000.04260	Screw M10 X 40 Button Zinc	2		
9	000.04425	Lock Washer M10	4		
10	200.11715	Bearing Assembly	1		
11	203.11770	Hex Steel Standoff Pillar	2		
12	000.01028	Rubber Bumper Easy Snap	2		
13	225.04050	Fixation Bumper	2		
14	000.03095	Screw M6 X 16 Hex Zinc	2		
15	000.03420	Lock Washer M6 ZP	2		
16	000.03960	Lock Washer M8 Zinc	19		
17	000.05462	Bushing 5/8" - 13/16" X 1" (MSI)	2		
18	203-11805	Track Positioning Guide	1		
19	000.02800	Lock Nut M5 Zinc	1		
20	000.02905	Flat Washer M5 X 12OD X 1TH Zinc	1		
21	225-11808	Cover	2		
22	000.04060	Screw M10 X16 Button Zinc	2		
23	200.11730	Pivoting Track	1		
24	000.04280	Screw M10 X 50 Flat Zinc	2		
25	001-11801	Product Identification Label	1	Specify Serial Number when ordering	
26	000.04494	Bushing 10-14 X 16 mm	4		
27	000.01390	Nylon Rope	-	304 cm	
28	000-01387	Rope End Black	2		
29	600-11670	Track Bracket Assembly	4		
30	000.03635	Screw M8 X 20 Hex Zinc	3		
31	000.04418	Jam Nut M10 Zinc	4		
32	000.03600	Screw M8 X 12 Hex Zinc	14		
33	225-11760	Track Stopper	13		
34	001.11710	Track Identification Label Kit	1		
35	225.11700	Main Plate	1		

ARJOHUNTLEIGH

GETINGE GROUP

GETINGE GROUP is a leading global provider of products and systems that contribute to quality enhancement and cost efficiency within healthcare and life sciences. We operate under the three brands of **ArjoHuntleigh**, **GETINGE** and **MAQUET**. **ArjoHuntleigh** focuses on patient mobility and wound management solutions. **GETINGE** provides solutions for infection control within healthcare and contamination prevention within life sciences. **MAQUET** specializes in solutions, therapies and products for surgical interventions and intensive care.

www.ArjoHuntleigh.com