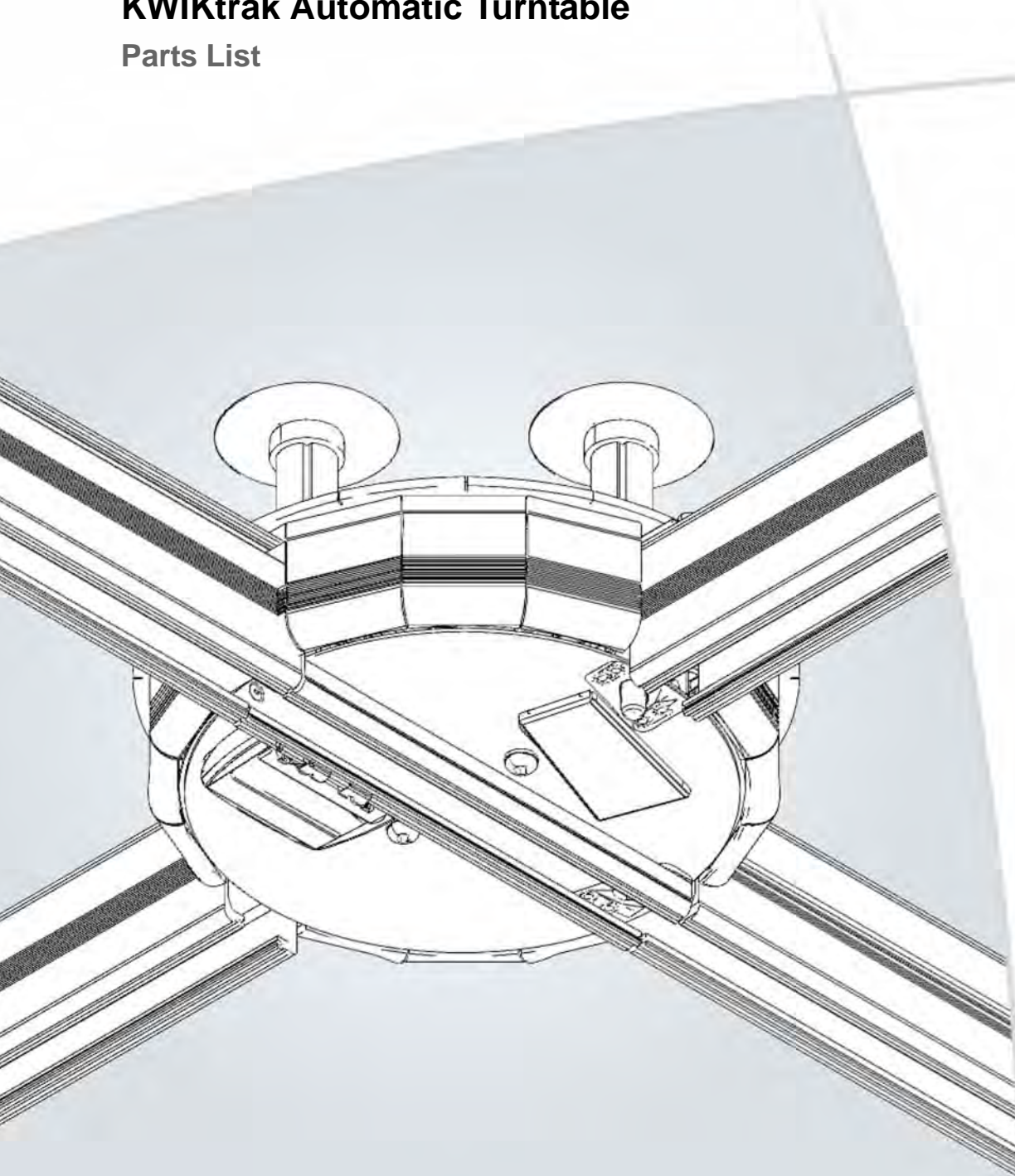


KWIKtrak Automatic Turntable
Parts List



Design Policy and Copyright

® and ™ are trademarks belonging to the ArjoHuntleigh group of companies.

© ArjoHuntleigh 2012.

As our policy is one of continuous improvement, we reserve the right to modify designs without prior notice.

The content of this publication may not be copied either whole or in part without the consent of ArjoHuntleigh.

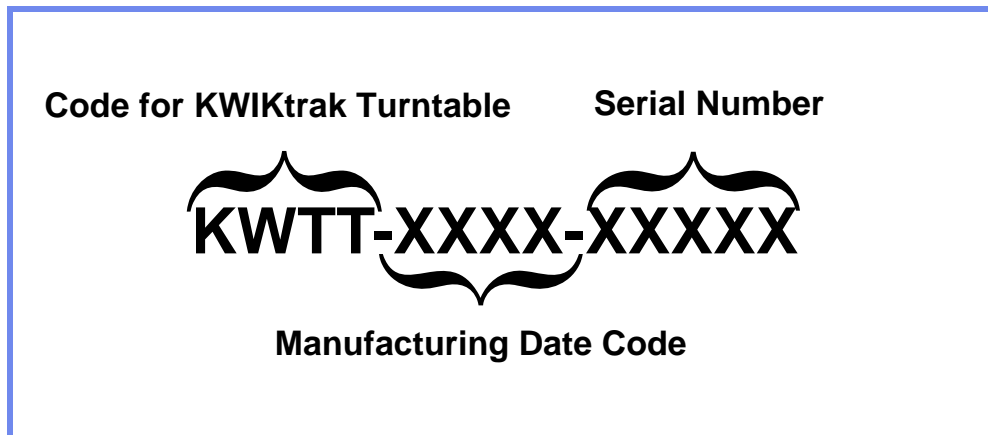
Serial Number Information

Before ordering spare parts, study the exploded views closely and make sure that you are familiar with all the spare parts involved.

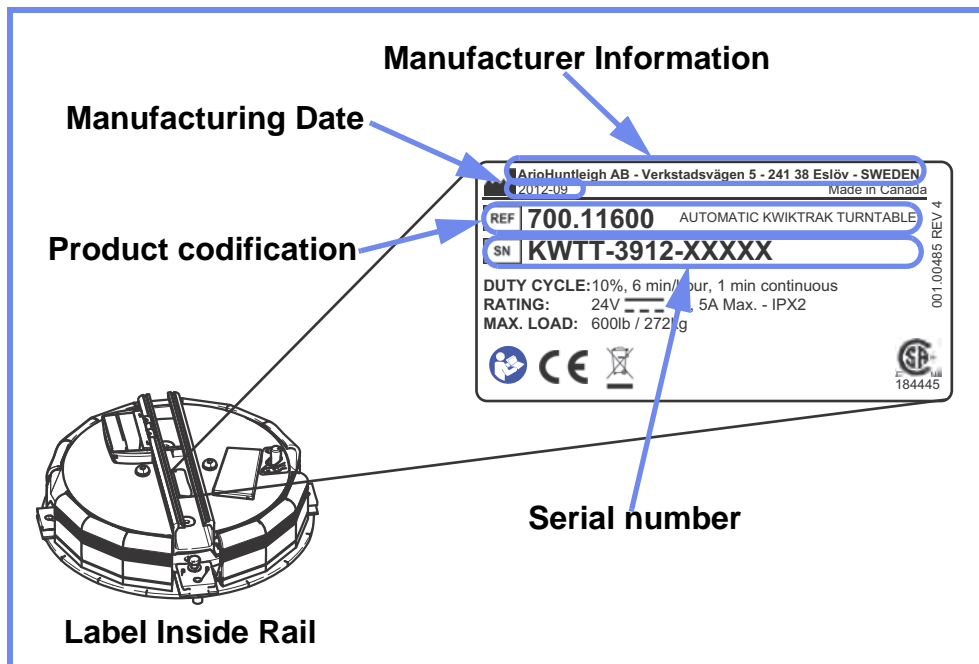
Before contacting the ArjoHuntleigh Sales department, always have the following information at hand:

- Correct name of the product (see Product Identification Label below).
- The serial number of the product (see Product Identification Label below).

Serial Number Codification



Product Identification Label



Modifications made to the equipment without ArjoHuntleigh's express acknowledgement will invalidate supplier's product liability.

How to Read Parts List Tables

Kit: Refers to an item that consist of a replacement kit.

Part #: Use these part numbers as a reference when ordering.

Description: A short explanation of the kit being referred to.

Included Items: Refers to items, listed in the table, that are contained within the kit. Letters refer to the relevant table. Numbers refer to an item in the table.

REPLACEMENT KITS TABLE

Kit	Part #	Description	Included Items
K1	700-00001	FIRST REPLACEMENT KIT	B2
K2	700-00002	SECOND REPLACEMENT KIT	B6-B7
K3	700-00003	THIRD REPLACEMENT KIT	B1, B3-B4
K4	700-00004	FOURTH REPLACEMENT KIT	B5

Item #: Refers to callout numbers that point to the various parts in the exploded drawings.

Part #: Use these part numbers as a reference when ordering.

Description: A short explanation of the part being referred to.

From s/n to s/n: indicates the first and last serial number of the product in which a particular part was included. See "Product Identification Label on page 3"

Qty: Required quantity of the part found on each product.

Remarks: General notes relevant to the part.

Kit: Refers to a kit that includes the part.
Note: An item that belongs to a kit cannot be ordered separately.

A PARTS DETAIL TABLE

Item	Part #	Description	From s/n	To s/n	Qty	Remarks	Kit
1	001-00001	FIRST PART			2		K3
2	001-00002	SECOND PART			2		K1
3	001-00003	THIRD PART			2		K3
4	001-00004	FOURTH PART			1		K3
5	001-00005	FIFTH PART			2	Include item 2	K4
6	001-00006	SIXTH PART	-	60095	8		K2
7	001-00007	SEVENTH PART	60096	-	2		K2

Legend

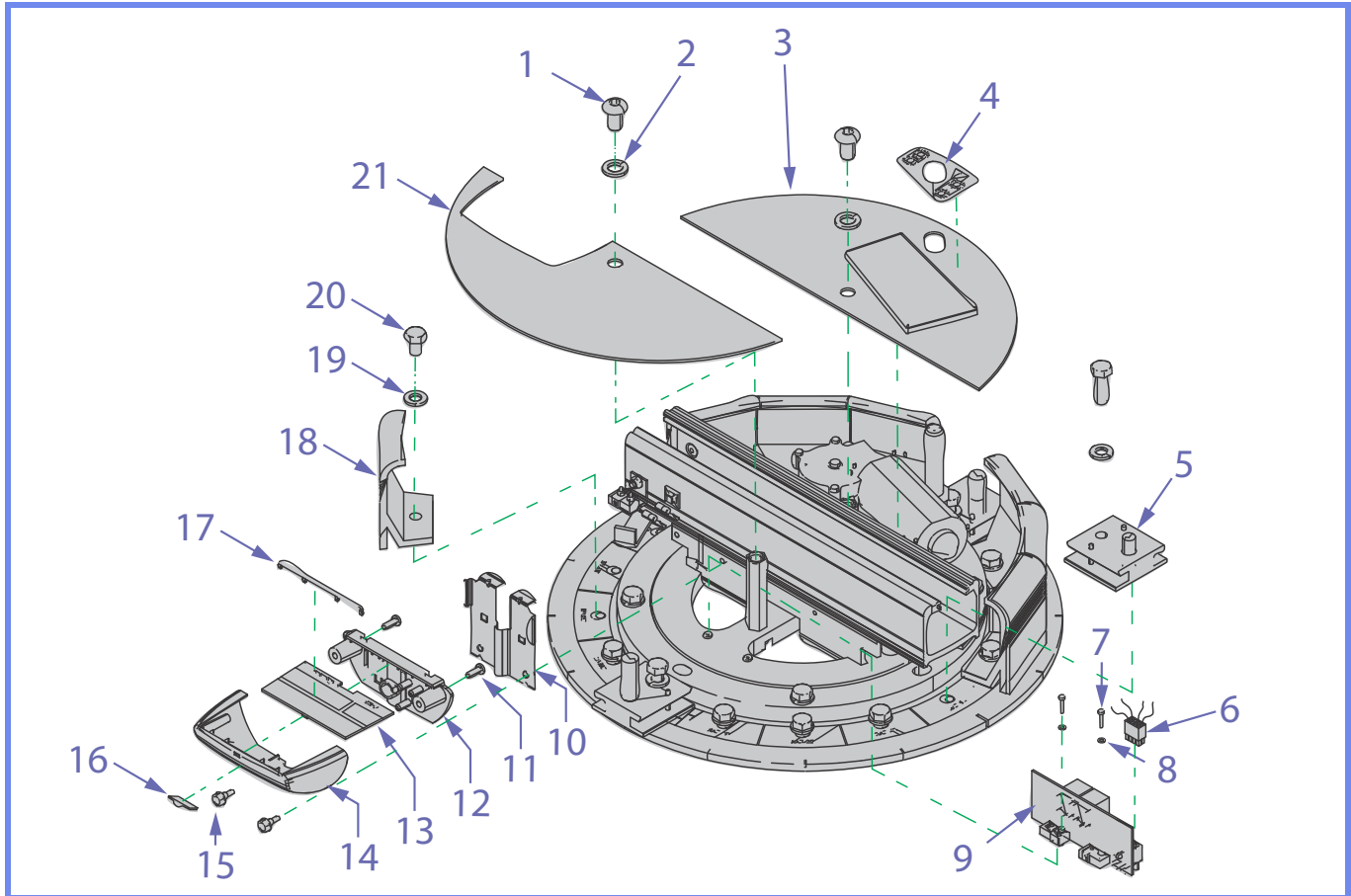
- 1— Callout for single item
- (1) - - Callout for assembly kit
- - - - - Assembly lines above components
- - - - - Assembly lines behind components
- Text in Blue Highlights changes from previous revision

Table of Contents

Parts Description..... 6
 A - Housing 6
 B - Driving Mechanism..... 7
 C - Limit Detection Mechanism 9

Parts Description

A - Housing

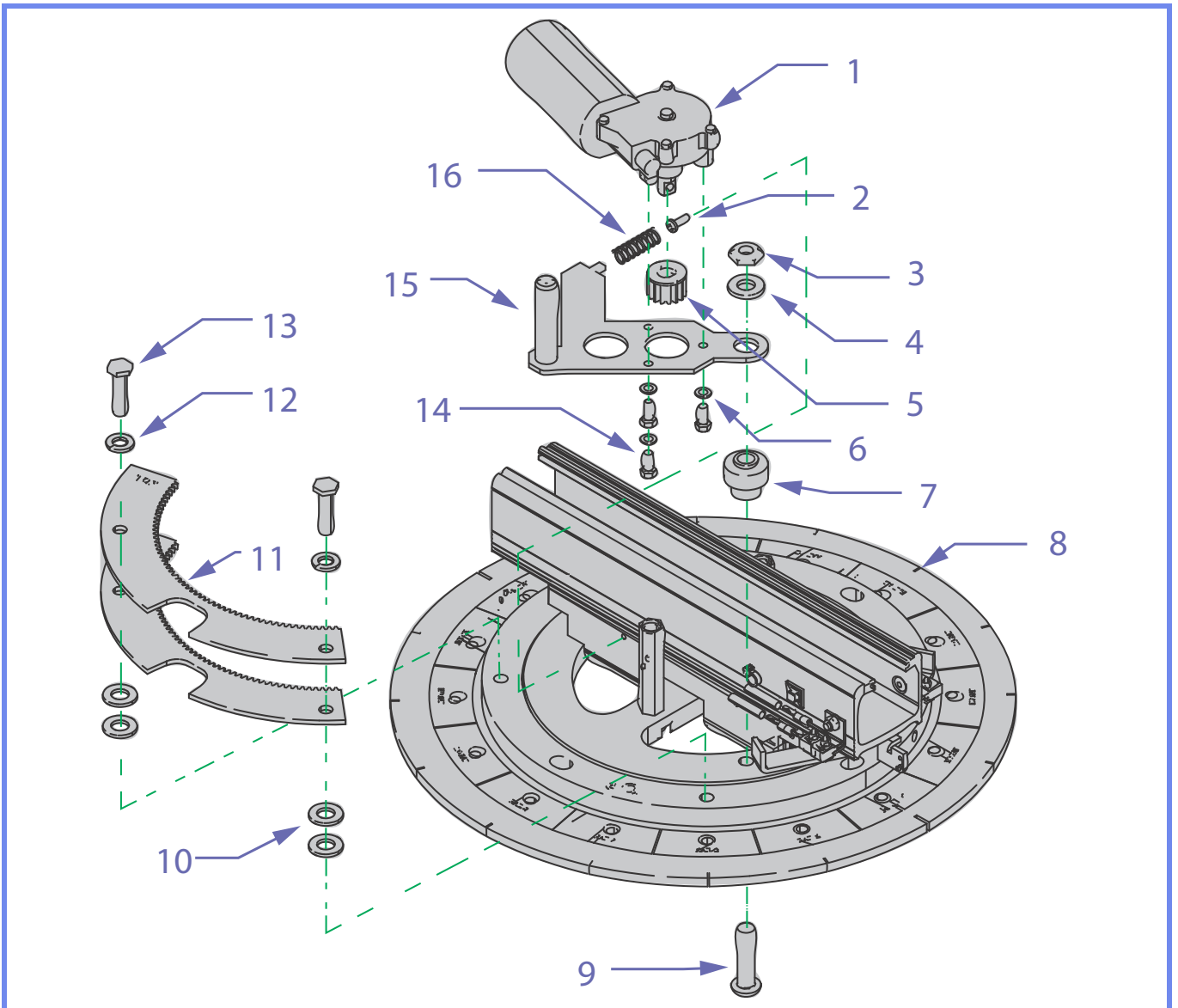


A HOUSING

Item	Part #	Description	From s/n	To s/n	Qty	Remarks	Kit
1	000.04060	M10 X 16 Zinc Button Head Cap Screw			2		
2	000.04425	M10 Zinc Lockwasher			2		
3	225.11740	Motor Cover			1		
4	001-11711	Quick Release Sticker			1		
5	700.11670	Track Bracket			4		
6	402.11700	Wiring Kit			1		
7	000.01960	M2.5 X 12 Screw			2		
8	000.01975	M2.5 Zinc Lockwasher			2		
9	492.00044-2	Circuit			1		
10	200.15550	Other Track Contact Plate			1		
11	000.02480	4.0 X 12 Plastite Tap Screw			2		
12	200.15530	Contact Box Base			1		
13	492.00041-2	Circuit Contact			1		
14	200.15520	Contact Box Cover			1		
15	000.02515	St4.8 X 13 Hex Self Tap Screw			2		
16	000.11610	Tie Wrap Bracket			2		
17	200.15535	Contact Divider			1		
18	225.11760	Stopper			14		
19	000.03960	M8 Zinc Lockwasher			16		
20	000.03600	M8 X 20 Hex Zinc Screw			14		
21	225.11750	Circuits Board Cover			1		

001.11605 rev. 2

B - Driving Mechanism

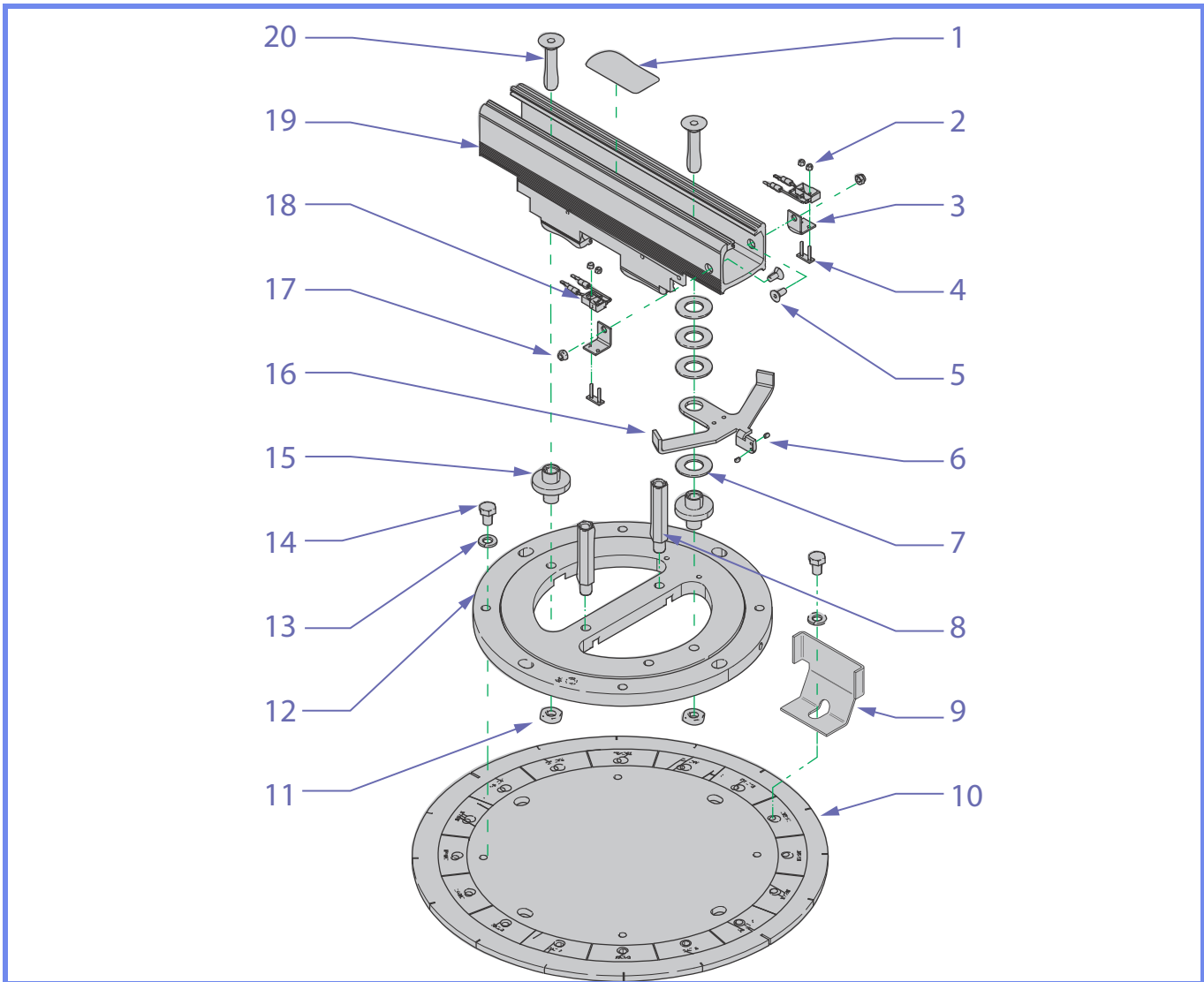


B

DRIVING MECHANISM

Item	Part #	Description	From s/n	To s/n	Qty	Remarks	Kit
1	400.14010	Motor			1		
2	000.02480	4.0 X 12 Plastite Tap Screw			1		
3	000.04416.00	M10 Machined Self-locking Nut			1		
4	000.04450	M10 X 2.5t Nylon Flat Washer			1		
5	200.11850	Motor Gear			1		
6	000.02900	M5 Zinc Lockwasher			3		
7	200.11780	Motor Bushing			1		
8	001.11710	Stickers Kit			1		
9	000.04260	M10 X 40 Zinc Button Head Cap Screw			1		
10	000.04430	M10 Zinc Flat Washer			4		
11	203.11820	Rack Gear			2		
12	000.03960	M8 Zinc Lockwasher			2		
13	000.03680.00	M8 X 30 Hex Zinc Machined Screw			2		
14	000.02550	M5 X 12 Hex Zinc Screw			3		
15	205.11800	Quick Release Bushing			1		
16	000.07020	Spring			1		

C - Limit Detection Mechanism



C LIMIT DETECTION MECHANISM

Item	Part #	Description	From s/n	To s/n	Qty	Remarks	Kit
1							
2	000.01970	M2.5 Zinc Self-locking Nut			4		
3	203.11815	Limit Bracket			2		
4	200.14090	Limit Fastener			2		
5	010.02570	M5 X 12 Flat Head Screw			2		
6	000.02010	M3 X 5 Zinc Setscrew			2		
7	000.11605	16 Mm Disk Spring			4		
8	203.11770	Cover Bushing			2		
9	203.11860	Track Simulation Bracket			1		
10	225.11700	Main Plate			1		
11	000.04418	M10 Zinc Self-locking Nut			4		
12	200.11715	Slewing Bearing			1		
13	000.03960	M8 Zinc Lockwasher			18		
14	000.03635	M8 X 20 Hex Zinc Screw			2		
15	200.11705	Reinforcement Bushing			2		
16	203.11810	Limit Arm			1		
17	000.02800	M5 Zinc Self-locking Nut			2		
18	465.00015	Limit Switch With Wires			2		
19	200.11730	Central Track			1		
20	000.04280	M10 X 50 Zinc Flat Head Screw			2		

AUSTRALIA

ArjoHuntleigh Pty Ltd
78, Forsyth street
O'Connor
AU-6163 Western Australia
Tel: +61 89337 4111
Free: +1 800 072 040
Fax: + 61 89337 9077

BELGIQUE / BELGIË

ArjoHuntleigh NV/SA
Evenbroekveld 16
B-9420 ERPE-MERE
Tél/Tel: +32 (0) 53 60 73 80
Fax: +32 (0) 53 60 73 81
E-mail: info@arjohuntleigh.be

CANADA

ArjoHuntleigh Canada Inc.
1575 South Gateway Road
Unit "C"
MISSISSAUGA, ON, L4W 5J1
Tel/Tél: +1 905 238 7880
Free: +1 800 665 4831 Institutional
Free: +1 800 868 0441 Home Care
Fax: +1 905 238 7881
E-mail: info.canada@arjohuntleigh.com

ČESKÁ REPUBLIKA

ArjoHuntleigh s.r.o.
Hlinky 118
CZ- 603 00 BRNO
Tel: +420 549 254 252
Fax: +420 541 213 550

DANMARK

ArjoHuntleigh A/S
Vassingerødvej 52
DK-3540 LYNGE
Tel: +45 49 13 84 86
Fax: +45 49 13 84 87
E-mail: info.dk@arjohuntleigh.com

DEUTSCHLAND

ArjoHuntleigh GmbH
Peter-Sander-Strasse 10
D-55252 MAINZ-KASTEL
Tel: +49 (0) 6134 186 0
Fax: +49 (0) 6134 186 160
E-mail: info-de@arjohuntleigh.com

ΕΛΛΑΔΑ

C. Psimitis Co Ltd
Dimitriou Andr. 59
GR-16121 KAISARIANI ATTIKIS
Τηλ: 21 0724 36 68
Φάξ: 21 0721 55 53

ESPAÑA

ArjoHuntleigh Ibérica S.L.
Ctra. de Rubí, 88 1ª planta - A1
08173 Sant Cugat del Vallés
ES- BARCELONA 08173
Tel: +34 93 583 11 20
Fax: +34 93 583 11 22
E-mail: info.es@arjohuntleigh.com

FAR EAST

ARJO Far East Limited
Unit 3A, 4/F., block B Hoi Luen
Industrial Centre
55 Hoi Yuen Road,
Kwun Tong, Kowloon
HONG KONG
Tel: +852 2508 9553
Fax: +852 2508 1416

FRANCE

ArjoHuntleigh SAS
2 Avenue Alcide de Gasperi
CS 70133
59436 RONCQ CEDEX
Tél: +33 (0) 3 20 28 13 13
Fax: +33 (0) 3 20 28 13 14
E-mail : info.france@arjohuntleigh.com

INTERNATIONAL

ArjoHuntleigh International Ltd.
ArjoHuntleigh House
Houghton Hall Park
Houghton Regis
UK-DUNSTABLE LU5 5XF
Tel: +44 (0) 1582 745 800
Fax: +44 (0) 1582 745 866
E-mail:
international@ArjoHuntleigh.com

ITALIA

ArjoHuntleigh S.p.A.
Via di Tor Vergata 432
00133 ROMA - ITALIA
Tel: +39 (0) 6 87426211
Fax: +39 (0) 6 87426222
E-mail: Italy.promo@arjohuntleigh.com

NEDERLAND

ArjoHuntleigh Nederland BV
Biezenwei 21
4004 MB TIEL
Postbus 6116
4000 HC TIEL
Tel: +31 (0) 344 64 08 00
Fax: +31 (0) 344 64 08 85
E-mail: info.nl@arjohuntleigh.com

NEW ZEALAND

ArjoHuntleigh Ltd
41 Vestey Drive
Mount Wellington
AUCKLAND 1060
Tel: +64 (0) 9 573 5344
Free Call: 0800 000 151
Fax: +64 (0) 9 573 5384
E-mail: nz.info@ArjoHuntleigh.com

NORGE

ArjoHuntleigh Norway AS
Ryenstubben 2
NO-0679 OSLO
Tel: +47 22 08 00 50
Faks: +47 22 08 00 51
E-mail: no.kundeservice@arjohuntleigh.com

POLSKA

ArjoHuntleigh Polska Sp. z o.o.
ul. Ks Piotra Wawrzyniaka 2
PL 62-052 KOMORNIKI (Poznan)
Tel: +48 61 662 15 50
Fax: +48 61 662 15 90
E-mail: arjo@arjohuntleigh.com

PORTUGAL

ArjoHuntleigh em Portugal:
MAQUET Portugal, Lda. (Distribuidor Exclusivo)
Rua Poeta Bocage n.º 2 - 2G
1600-233 Lisboa, Portugal
Tel: +351 214 189 815
Fax: +351 214 177 413
E-mail: Portugal@arjohuntleigh.com

SUISSE / SCHWEIZ

ArjoHuntleigh AG
Fabrikstrasse 8
Postfach
4614 Hägendorf,
Tél/Tel: +41 (0) 61 337 97 77
Fax: +41 (0) 61 311 97 42

SUOMI

ArjoHuntleigh OY
Vanha Porvoontie 229
FI-01380 VANTAA
Puh: +358 9 4730 4320
Faksi: +358 9 4730 4999

SVERIGE

ARJO Scandinavia AB
Verkstadsvägen 5
Box 61
SE-241 21 ESLÖV
Tel: +46 (0) 10-335 45 00
Fax: +46 (0) 413-138 76
E-mail: kundservice@arjohuntleigh.com

UNITED KINGDOM

ArjoHuntleigh UK
ArjoHuntleigh House
Houghton Hall Park
Houghton Regis
UK-DUNSTABLE LU5 5XF
Tel: +44 (0) 1582 745 700
Fax: +44 (0) 1582 745 745
E-mail:
sales.admin@ArjoHuntleigh.com

USA

ArjoHuntleigh Inc.
2349 W Lake Street Suite 250
Addison, IL 60101
Tel: +1 630 307 2756
Free: +1 800 323 1245 Institutional
Free: +1 800 868 0441 Home Care
Fax: +1 630 307 6195
E-mail: us.info@ArjoHuntleigh.com

ÖSTERREICH

ArjoHuntleigh GmbH
Dörrstrasse 85
AT-6020 INNSBRUCK
Tel: +43 (0) 512 204 160 0
Fax: +43 (0) 512 204 160 75

ARJOHUNTLEIGH

GETINGE GROUP

GETINGE GROUP is a leading global provider of products and systems that contribute to quality enhancement and cost efficiency within healthcare and life sciences. We operate under the three brands of **ArjoHuntleigh**, **GETINGE** and **MAQUET**. **ArjoHuntleigh** focuses on patient mobility and wound management solutions. **GETINGE** provides solutions for infection control within healthcare and contamination prevention within life sciences. **MAQUET** specializes in solutions, therapies and products for surgical interventions and intensive care.

www.ArjoHuntleigh.com



ArjoHuntleigh AB
Verkstadsvägen 5
241 38 Eslöv
SWEDEN