

Installation Procedure for KWIKtrak Charger Interface #700.15510

INTERFACE UTILITY: The interface allows the installation of a charging station on the moving track of an XY track system.

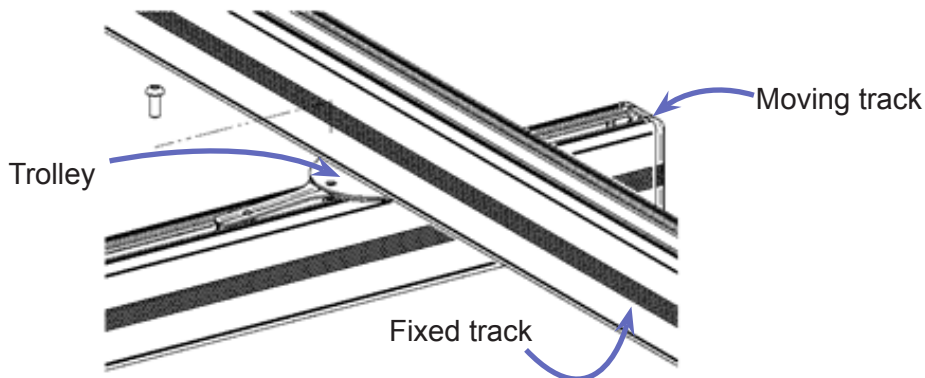
Method

The interface assembly includes:

- Interface box
- Moving track charging station
- RCA extension cord (1.5 m) #402.15505

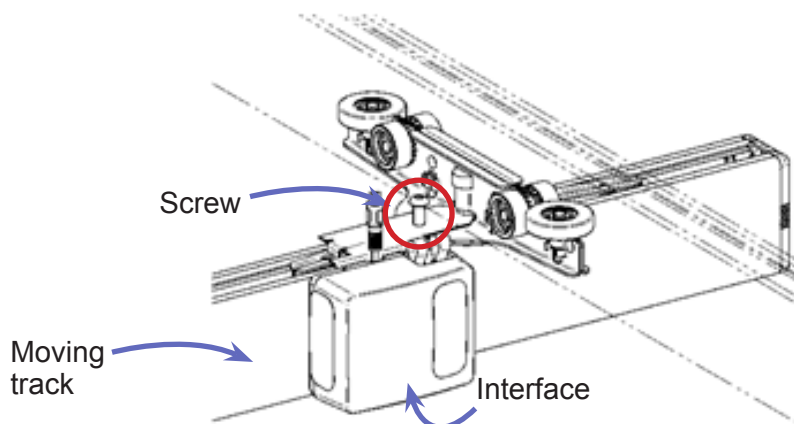
Step 1

Remove one of the screws on top of the trolley. Use an Allen key 5 mm.



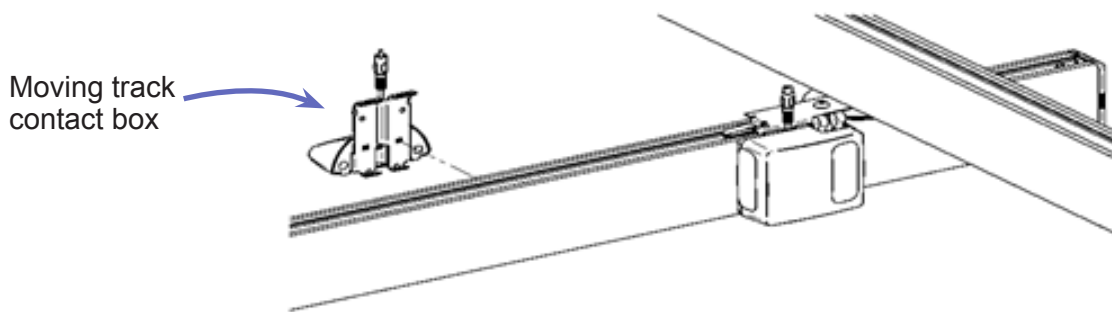
Step 2

Use the previously removed screw to attach the interface box on the trolley of the moving track.



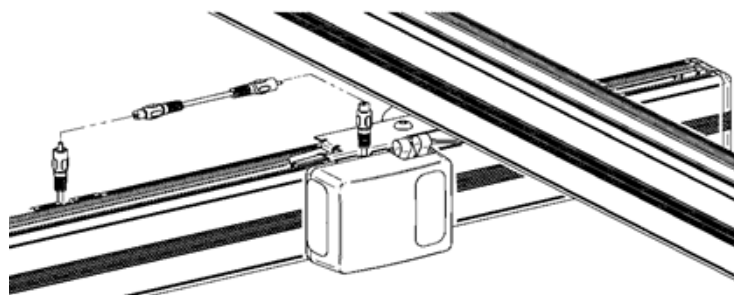
Step 3

Install the charger contact box on the moving track. Locate it where you want the lift to recharge.



Step 4

Install the 1.5 m RCA extension to connect the interface box to the charger contact box. Insert any surplus cable into the track cavity



Step 5

Test the installation by bringing the interface to the charging station of the fixed track. The green light of the charger contact box on the moving track should light up when the interface is towards the fixed track charging station. The green light indicates that power goes from the charging station to the charger contact box.

