

ARJOHUNTLEIGH

GETINGE GROUP

MaxiSky440 Parts List



CE

Design Policy and Copyright

® and ™ are trademarks belonging to the ArjoHuntleigh group of companies.
© ArjoHuntleigh 2011.

As our policy is one of continuous improvement, we reserve the right to modify designs without prior notice. The content of this publication may not be copied either whole or in part without the consent of ArjoHuntleigh.

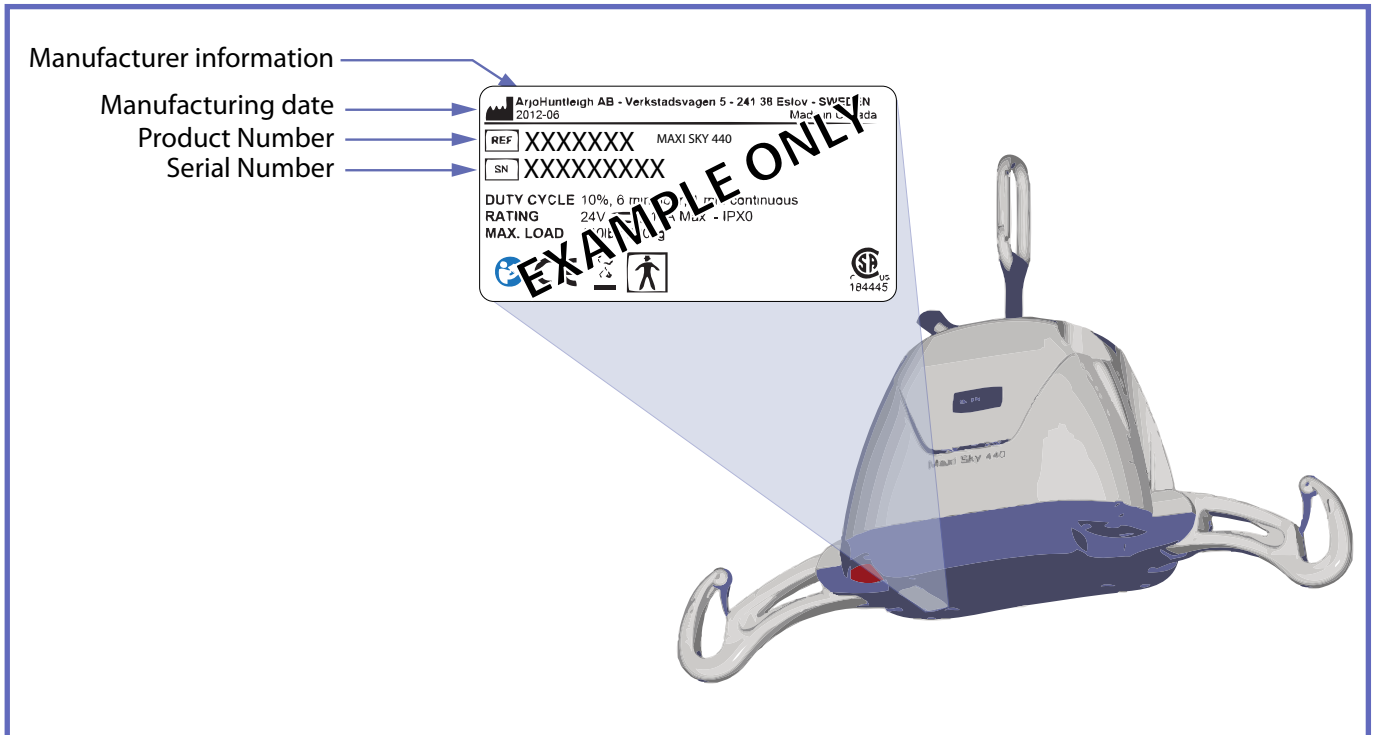
General Information

Before ordering spare parts, study the exploded view closely and make sure that you are familiar with all the spare parts involved.

Before contacting the ArjoHuntleigh Parts Sales department, always have the following information at hand:

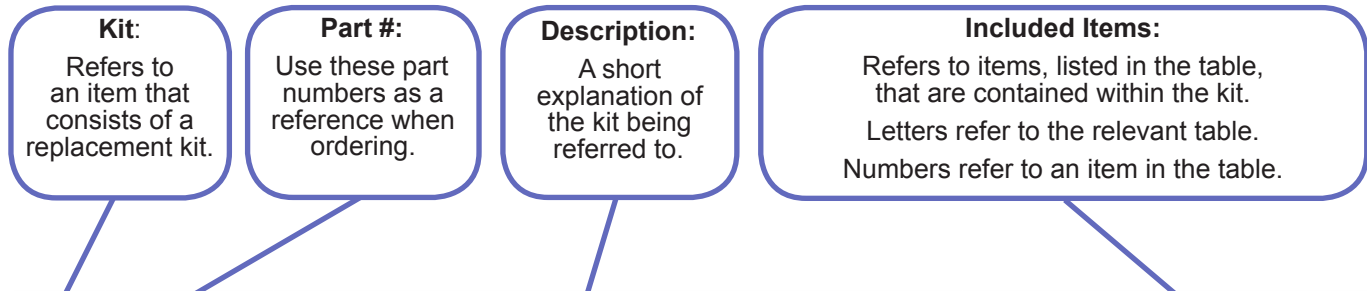
- Correct name of the product (see Product Identification Label below).
- The serial number of the product (see Product Identification Label below).

Product Identification Label



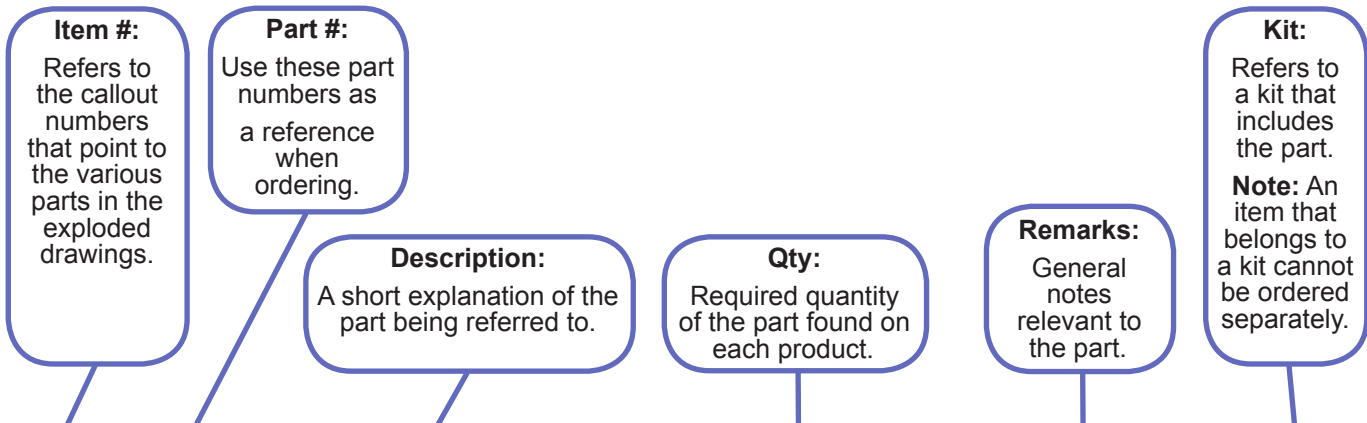
Modifications made to the equipment without ArjoHuntleigh's express acknowledgement will invalidate supplier's product liability.

How to Read Parts List Tables



A *REPLACEMENT KITS TABLE*

Item	Part #	Description	Included Items
K1	700-00001	FIRST REPLACEMENT KIT	B2
K2	700-00002	SECOND REPLACEMENT KIT	B6-B7
K3	700-00003	THIRD REPLACEMENT KIT	B1, B3-B4
K4	700-00004	FOURTH REPLACEMENT KIT	B5



B *PARTS DETAIL TABLE*

Item	Part #	Description	Qty	Remarks	Kit
1	001-00001	FIRST PART	2		K3
2	001-00002	SECOND PART	2		K1
3	001-00003	THIRD PART	2		K3
4	001-00004	FOURTH PART	1		K3
5	001-00005	FIFTH PART	2		K4
6	001-00006	SIXTH PART	8		K2
7	001-00007	SEVENTH PART	2		K2

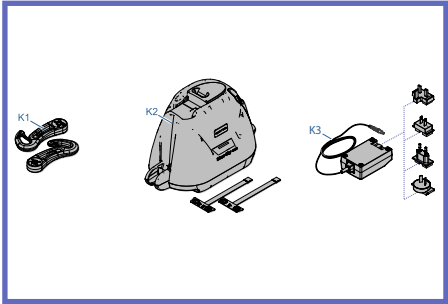
Legend

- 1 → Callout for single item
- ① Callout for assembly kit
- Assembly lines above components
- Assembly lines behind components
- Text in Green Highlights changes from previous revision

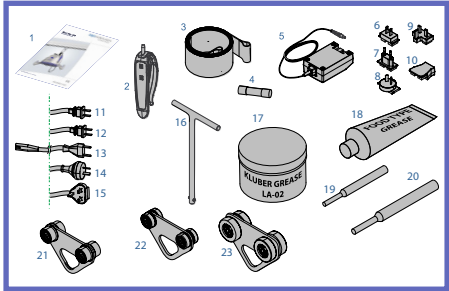
Table of Contents

Exploded Views 2

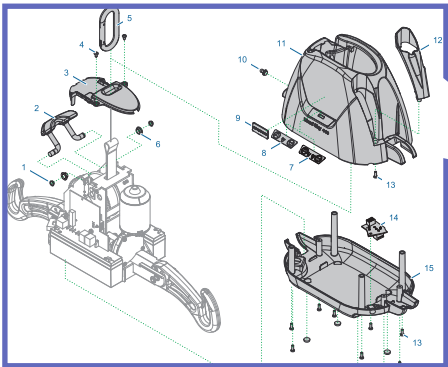
- A - Replacement Kits 2
- B - General Parts / Accessories 3
- C - Housing 4
- D - Chassis 5
- E - Transmission 6
- * Other Track Profile Details 7



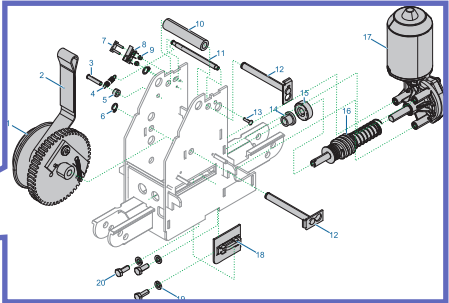
“A - Replacement Kits”, page 2



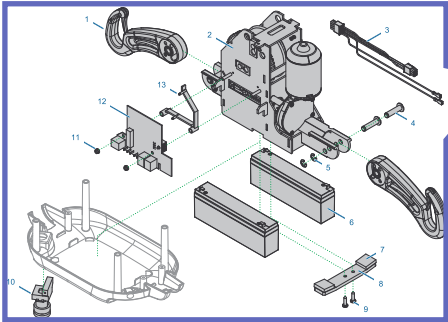
“B - General Parts / Accessories”, page 3



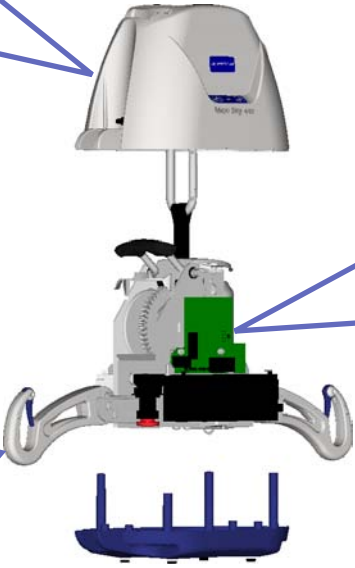
“C - Housing”, page 4



“E - Transmission”, page 6

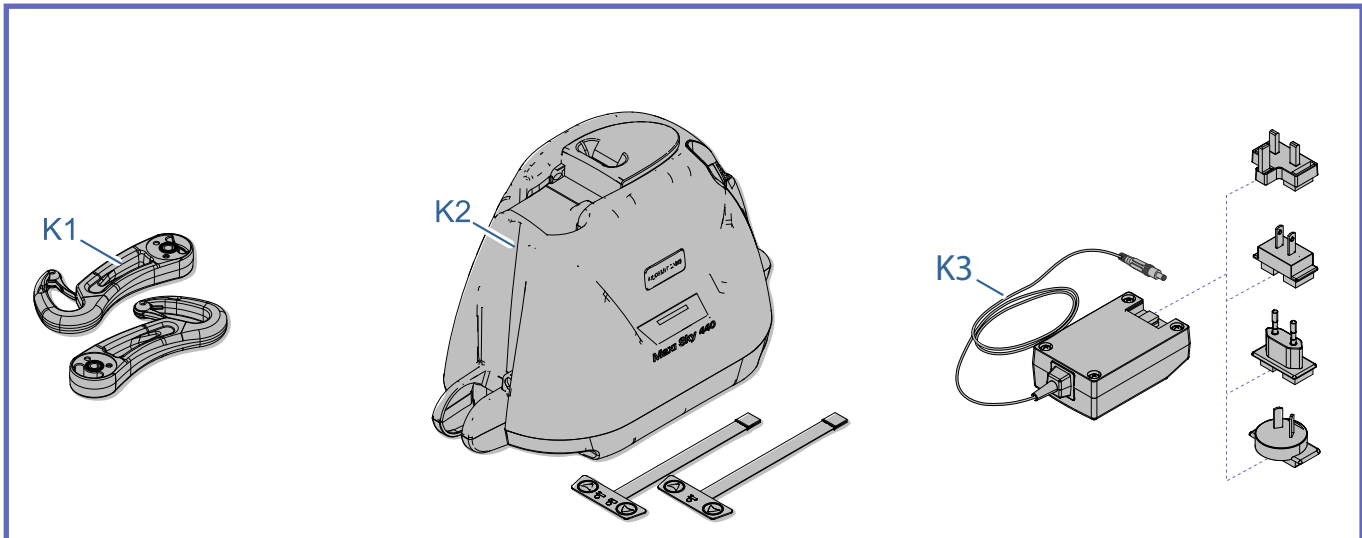


“D - Chassis”, page 5



Exploded Views

A - Replacement Kits



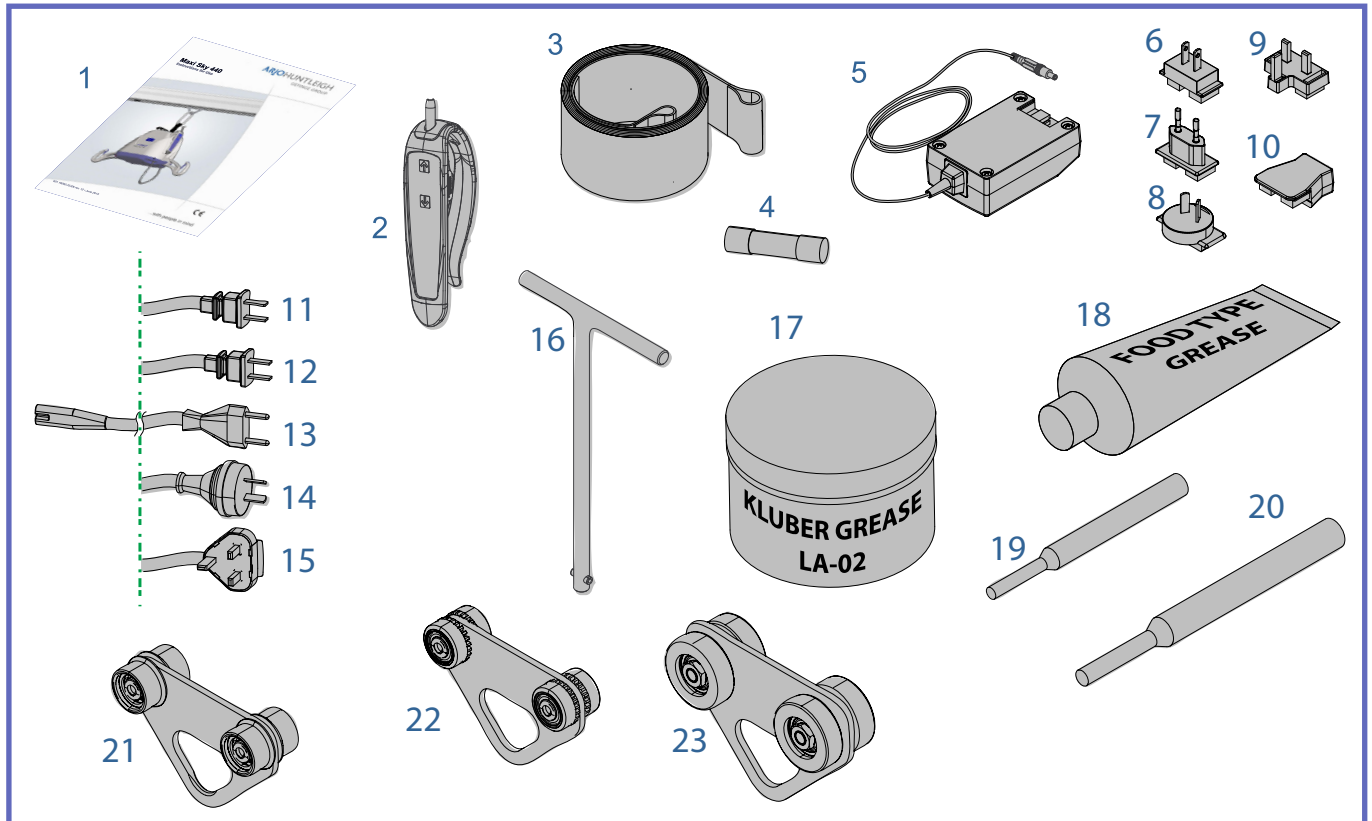
A

REPLACEMENT KITS

ITEM	PART №	DESCRIPTION	INCLUDED ITEM
K1	700-16560	Folding Arms Replacement Kit	D1
K2	700-16809-33	MS-440 Plastic Cab Replacement Kit	C3-C4, C7-C13, C15-C16
K3	700-15568	Universal Charger	B5 - B9 (see note)
	700-15561	Charger UL/JP	B5, B6 (see note)

Note: If charger is replacing former charger № 700.13510.33, make sure the keypad membrane is replaced with item № 001-08100-33 and PCB is revision 13 or greater. Refer to “Maxi Sky 440 Technical Manual” (001.16010.33) for details

B - General Parts / Accessories

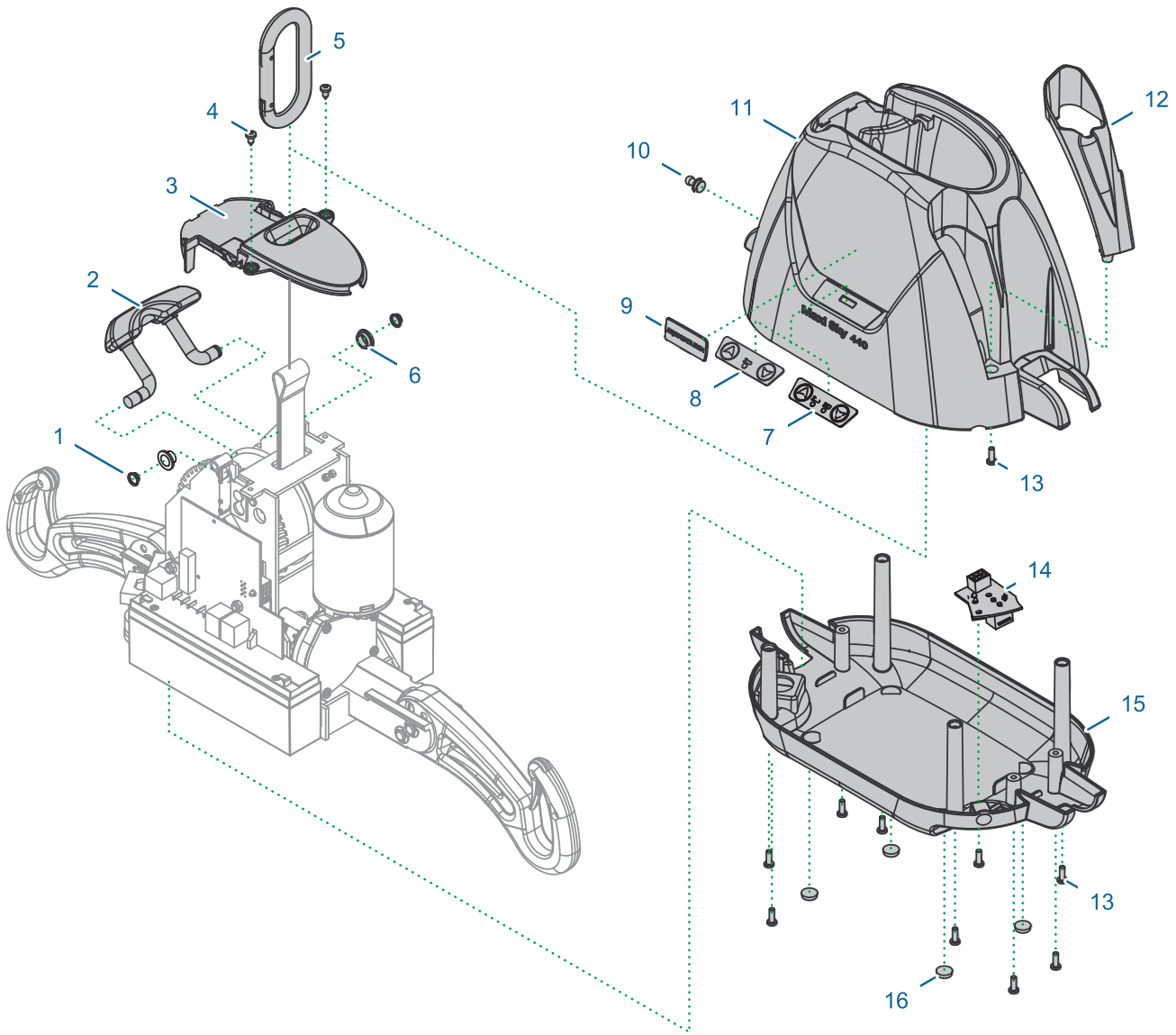


B

GENERAL PARTS

ITEM	PART No	DESCRIPTION	QTY	REMARKS	KIT
1	001.16000.33	Maxi Sky 440 Instructions for Use			
2	700-13860	2-Button Control – IPX4			
	700-13865	2-Button Control – IPX7			
3	362.01365	BLACK STRAP			
4	C8FGMA10	GMA 10A FUSE			
5	700-15567	Universal Charger			
6	200-15561	Primary adaptor UL-JP			K3
7	200-15563	Primary adaptor CE			K3
8	200-15564	Primary adaptor AU			K3
9	200-15565	Primary adaptor UK			K3
10	200-15569	Primary adaptor IEC		Can be used to adapt items 11 - 15 with charger (item 5)	
11	402.00001	Cable Classe 2 (UL)			
12	402.00002	Cable Classe 2 (JP)			
13	402.00003	Cable Classe 2 (CE)			
14	402.00004	Cable Classe 2 (AU)			
15	402.00005	Cable Classe 2 (UK)			
16	005.16500	Maxi Sky 440 - Emergency Lowering Tool			
17	001.14140	Kluber Grease LA-02		For 9 mm shaft	
18	P8100	Food Grade Type Grease		For drum gear	
19	000.00002	Mini Amp Pin Extractor			
20	005.00374	Pin Extractor			
21	700-10650-B	Trolley for KWIKtrak & "P" Profile Track	-	See "** Other Track Profile Details" on page 7	
22	700-110640-B	Trolley for "G/M/T/W" Profile Track	-		
23	A5900	Trolley for "B" Profile Track	-		

C - Housing

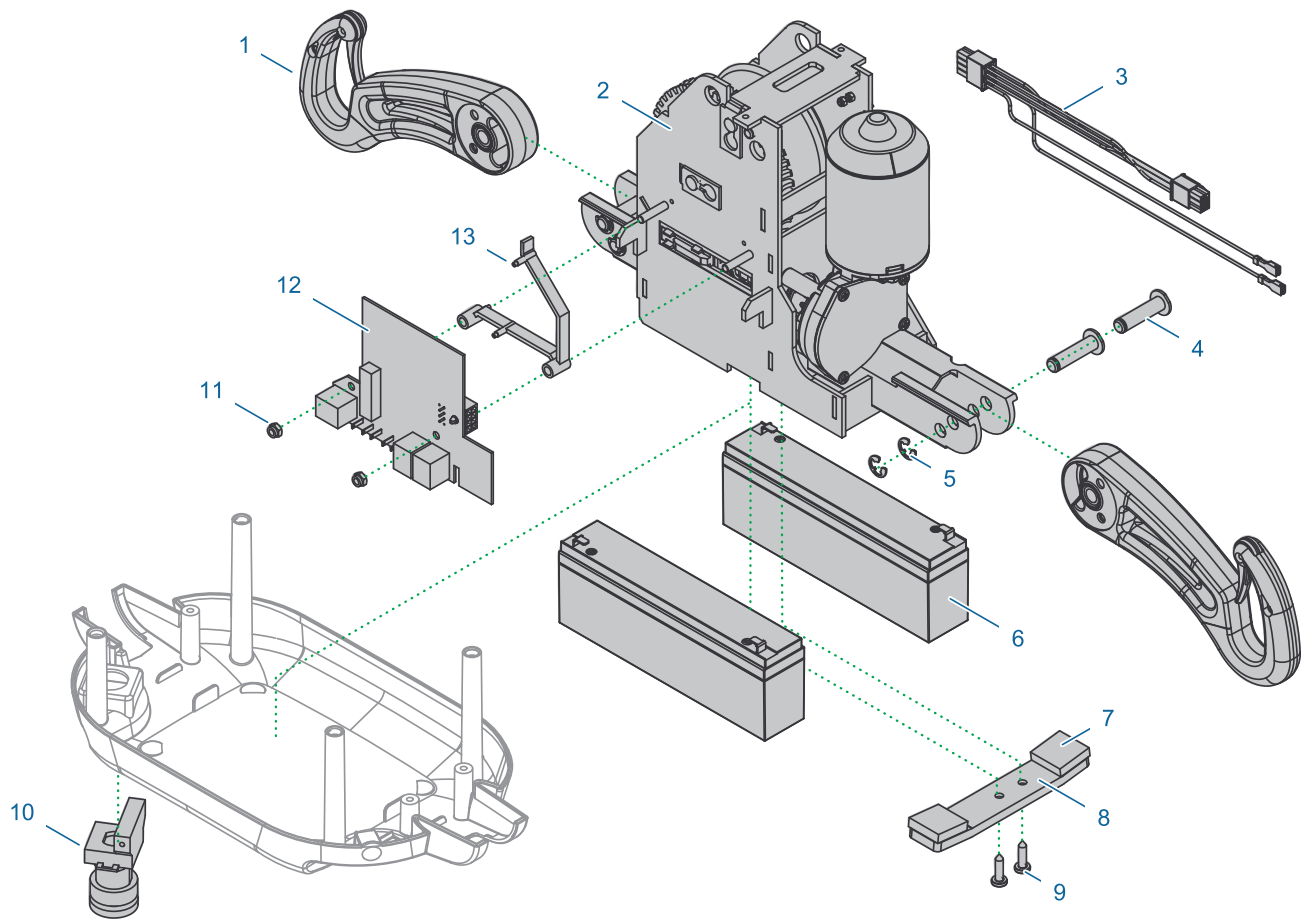


C

Housing

ITEM	PART №	DESCRIPTION	QTY	REMARKS	KIT
1	000.00846	RETAINING RING 9MM	4		
2	200.16870	MAXI SKY 440 - "TARZAN" HOOK	1		
3	200-16849-33	MAXI SKY 440 - STRAP INLET	1		
4	000.00635	TAP SCREW ST4.2 X 9.5 TORX	2		
5	000.08000	CARABINER	1		
6	000.16550	BUSHING 3/8 X 1/2 FLANGE PLASTIC	2		
7	001-08100-33	TOUCH PAD MEMBRANE W CHARGE INDICATOR			
8	001.08070.33	TOUCH PAD MEMBRANE	1		K2
9	8418699	STICKER ARJOHUNTLEIGH LOGO	1		
10	200.16570	CAP FOR EMERGENCY LOWERING	1		
11	200-16809-33	MAXI SKY 440 - TOP SHELL	1		K2
12	200-16889-33	MAXI SKY 440 – HAND CONTROL POCKET	1		K2
13	000.02480	TAP SCREW PLASTITE 4.0 X 12	10		
14	492.00051	HAND CONTROL & CHARGER INLET CIRCUIT BOARD	1		
15	200-16829-33	MAXI SKY 440 - BOTTOM SHELL	1		K2
16	001.13500	RUBBER PAD	4		

D - Chassis

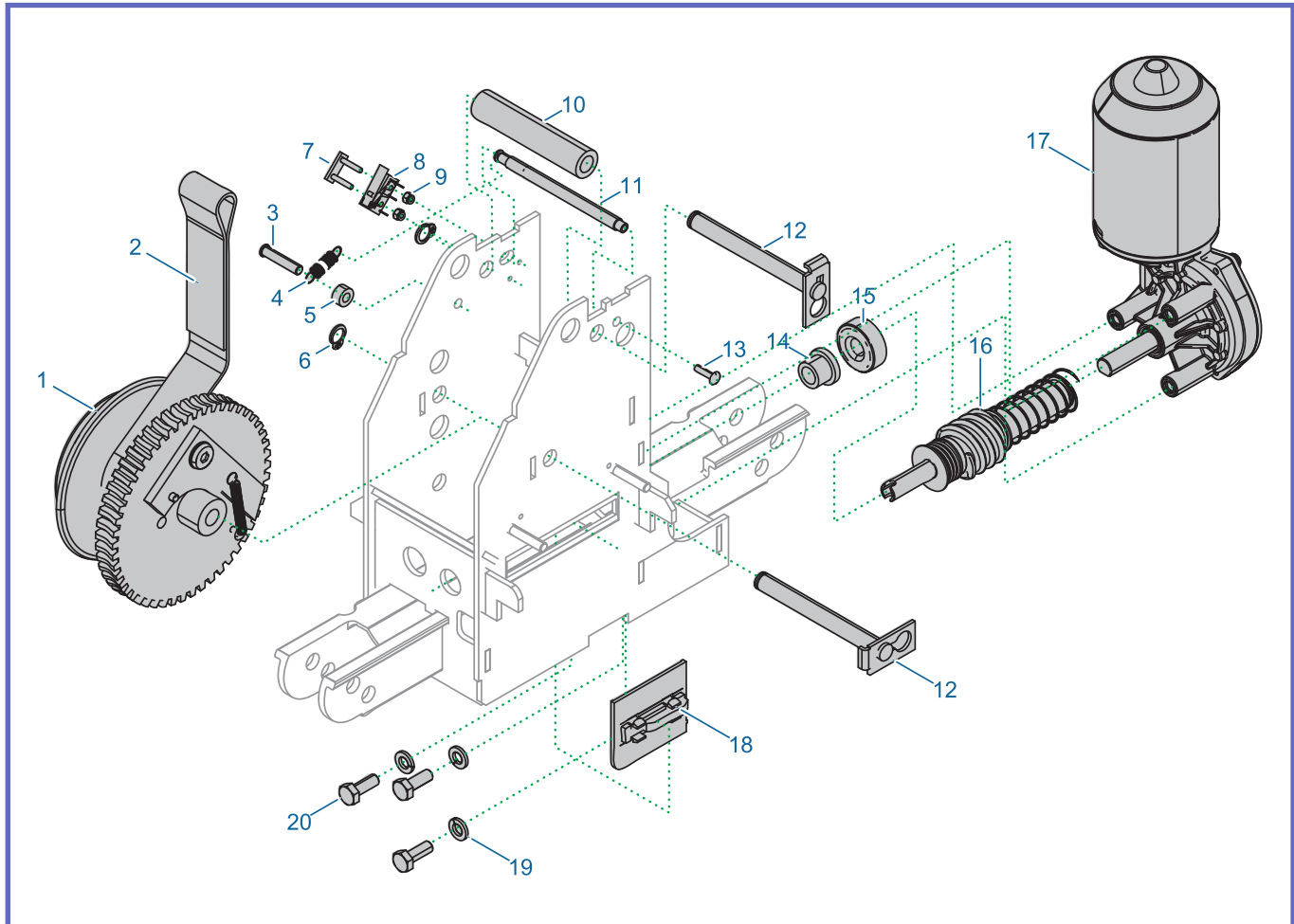


D

CHASSIS

ITEM	PART №	DESCRIPTION	QTY	REMARKS	KIT
1	600-16560	MAXI SKY 440 - FOLDABLE ARM	2	Starting Serial № 11425 Compatible with former units	K1
2	202.16500	MAXI SKY 440 - FRAME	1		
3	402.16000	MAXI SKY 440 - WIRING KIT	1		
4	203.16530	MAXI SKY 440 - CLEVIS FOR ARM	4		
5	000.16560	RETAINING WASHER 7MM	4		
6	E6585	BATTERY 12V 2.3AH TERMINAL BLADE	2		
7	200.16505	MAXI SKY 440 - FOAM BATTERY	2		
8	202.16510	MAXI SKY 440 - BATTERY SUPPORT	1		
9	000.00640	TAP SCREW ST4.2 X 19 TORX	2		
10	C6P22MM	EMERGENCY PUSHBUTTON	1		
11	000.02800	LOCKNUT M5 ZINC	2		
12	492.00047-1	MAXI SKY 440 - MAIN CIRCUIT BOARD	1		
13	200.14240	PCB SUPPORT	1		

E - Transmission

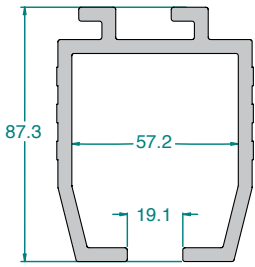
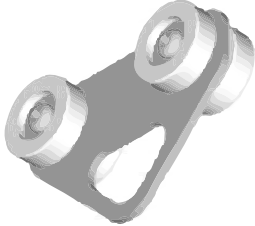
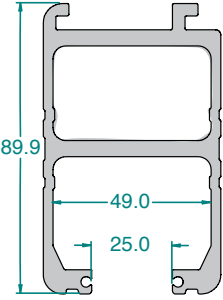
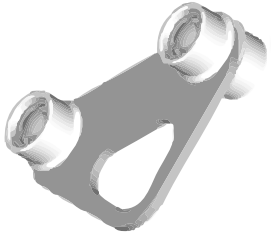
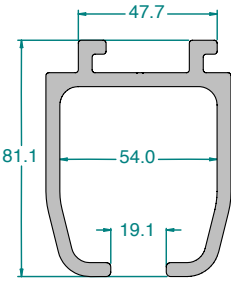
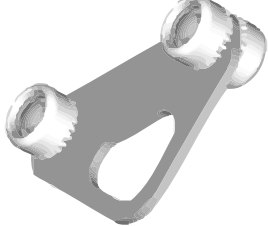
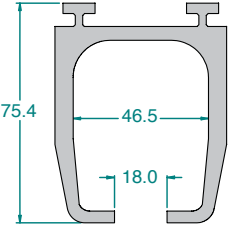
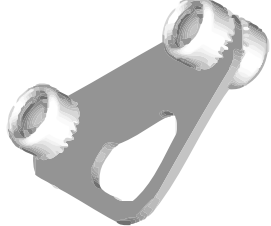
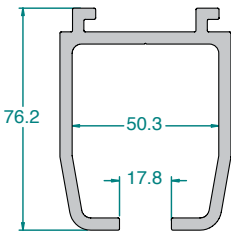
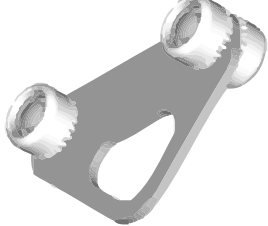
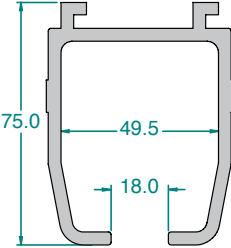
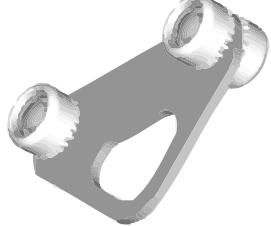


E

TRANSMISSION

ITEM	PART №	DESCRIPTION	QTY	REMARKS	KIT
1	700.08052	PORTABLE DRUM WITH BLACK STRAP	1		
2	362.01365	BLACK STRAP	1		
3	000.00897	RIVET 3/16" 1/4-3/8 ALUM	1		
4	000.00873	EXTENSION SPRING 6.5 X 25MM	1		
5	000.02535	SPACER NYLON 5 X 5	1		
6	000.00846	RETAINING RING 9MM	4		
7	200.14090	LIMIT FIXATION PLATE	1		
8	460.00005	SWITCH DB2 TERMINAL 0.110	1		
9	000.01970	LOCKNUT M2.5 ZINC	2		
10	200.08520	STRAP ROLLER	1		
11	200-08121	LIMIT SHAFT	1		
12	200.08065	9MM SHAFT	2		
13	000.00887	RIVET 1/8 x 3/8 GRIP	1		
14	000.01048	BUSHING 3/8 FLANGE	1		
15	000.01083	BEARING THRUST 3/8 CLOSED	1		
16	700-16521	MAXI SKY 440 - ASSY SHAFT WORM	1		
17	E0006	GEAR MOTOR	1		
18	200.14230	CBLM PLATE	1		
19	000.03420	LOCKWASHER M6 ZINC	3		
20	000.03095	SCREW M6 X 16 HEX ZINC	3		

*** Other Track Profile Details**

 <p>B - Profile</p>	 <p>A5900</p>	 <p>P - Profile</p>	 <p>700-10650-B</p>
 <p>G - Profile</p>	 <p>700-10640-B</p>	 <p>T - Profile</p>	 <p>700-10640-B</p>
 <p>M - Profile</p>	 <p>700-10640-B</p>	 <p>W - Profile</p>	 <p>700-10640-B</p>

ARJOHUNTLEIGH

GETINGE GROUP

GETINGE GROUP is a leading global provider of products and systems that contribute to quality enhancement and cost efficiency within healthcare and life sciences. We operate under the three brands of **ArjoHuntleigh**, **GETINGE** and **MAQUET**. **ArjoHuntleigh** focuses on patient mobility and wound management solutions. **GETINGE** provides solutions for infection control within healthcare and contamination prevention within life sciences. **MAQUET** specializes in solutions, therapies and products for surgical interventions and intensive care.

www.ArjoHuntleigh.com