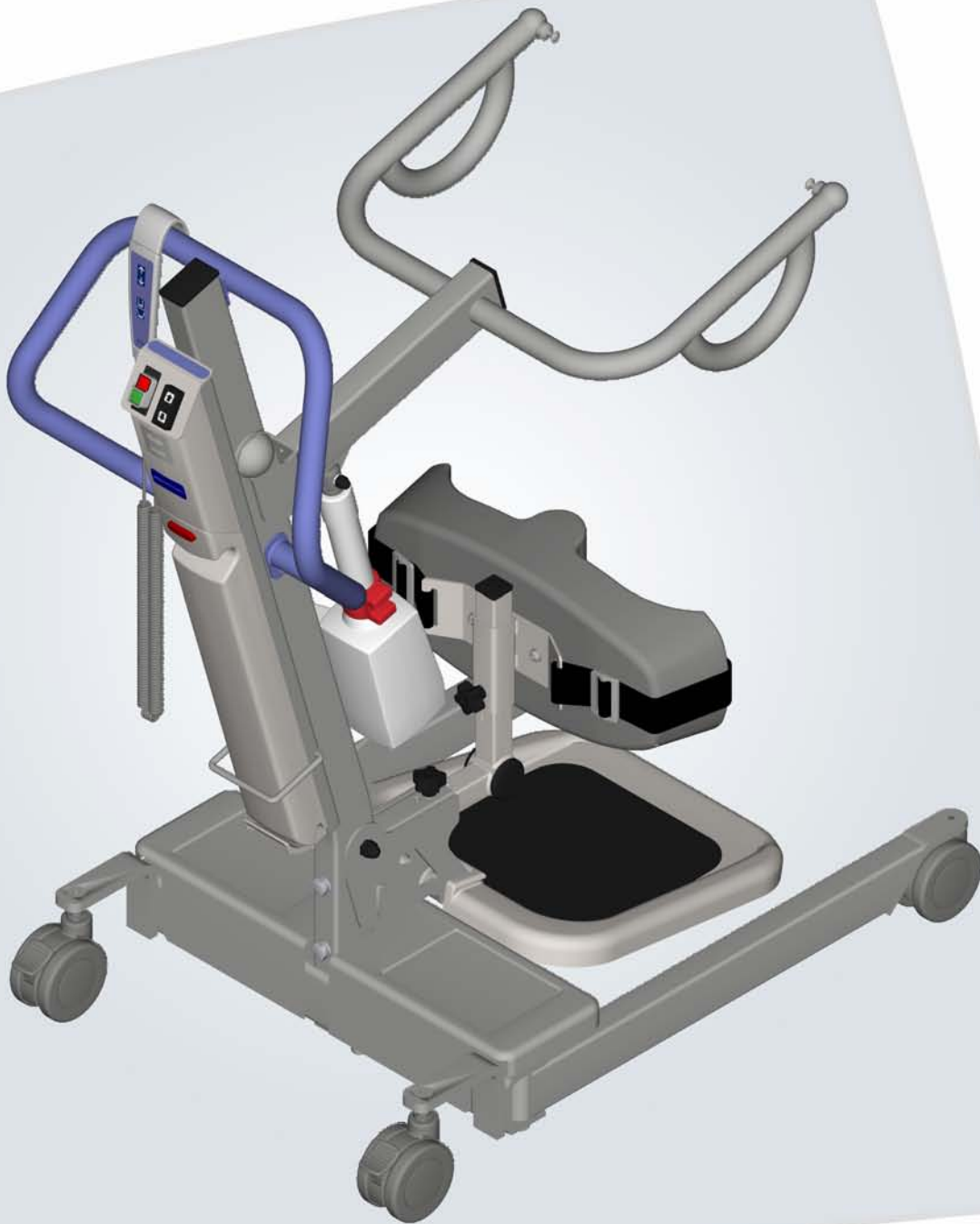


**SARA LITE**  
Parts List



CE

## Design Policy and Copyright

® and ™ are trademarks belonging to the ArjoHuntleigh group of companies.  
© ArjoHuntleigh 2012.

As our policy is one of continuous improvement, we reserve the right to modify designs without prior notice. The content of this publication may not be copied either whole or in part without the consent of ArjoHuntleigh.

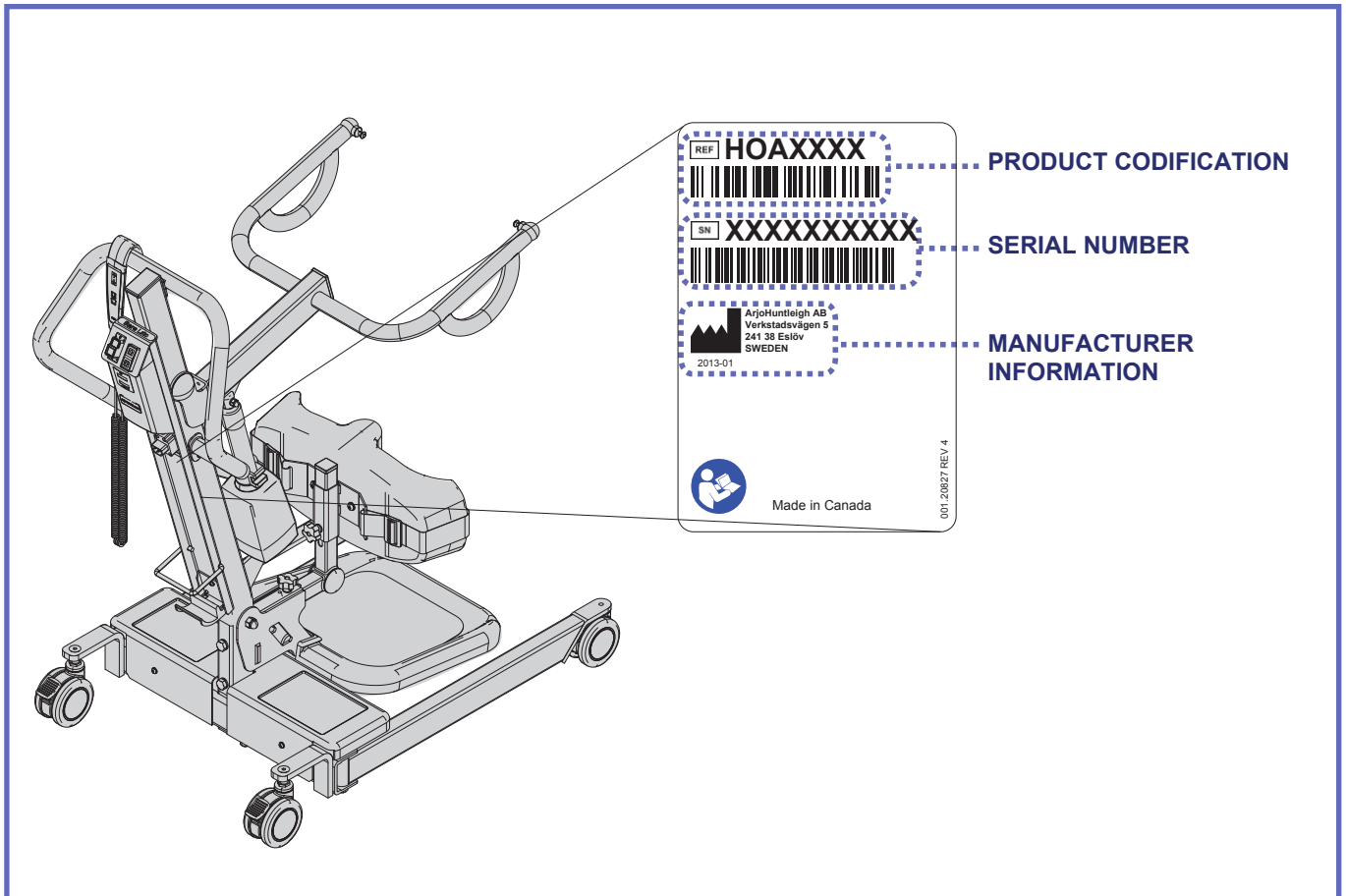
# General Information

Before ordering spare parts, study the exploded view closely and make sure that you are familiar with all the spare parts involved.

Before contacting the ArjoHuntleigh Parts Sales department, always have the following information at hand:

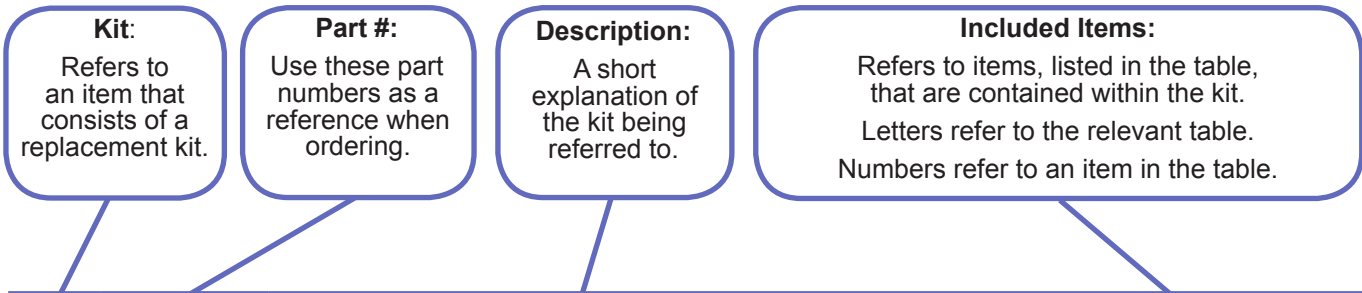
- Correct name of the product (see Product Identification Label below).
- The serial number of the product (see Product Identification Label below).

## Product Identification Label



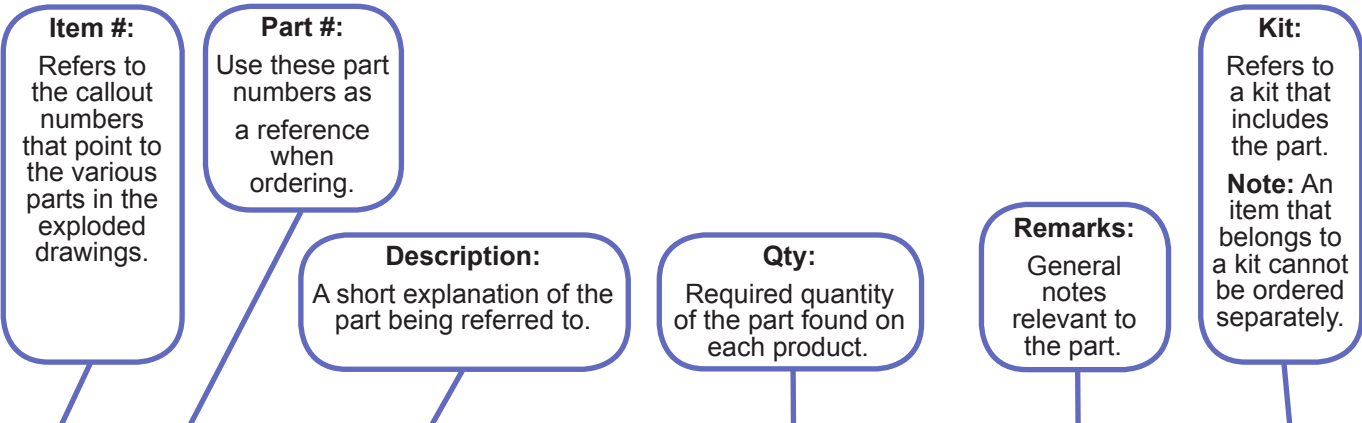
Modifications made to the equipment without ArjoHuntleigh's express acknowledgement will invalidate supplier's product liability.

# How to Read Parts List Tables



**A** *REPLACEMENT KITS TABLE*

Item	Part #	Description	Included Items
K1	700-00001	FIRST REPLACEMENT KIT	B2
K2	700-00002	SECOND REPLACEMENT KIT	B6-B7
K3	700-00003	THIRD REPLACEMENT KIT	B1, B3-B4
K4	700-00004	FOURTH REPLACEMENT KIT	B5



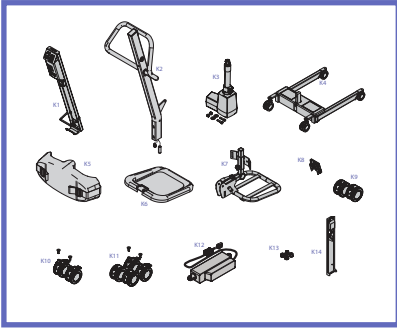
**B** *PARTS DETAIL TABLE*

Item	Part #	Description	Qty	Remarks	Kit
1	001-00001	FIRST PART	2		K3
2	001-00002	SECOND PART	2		K1
3	001-00003	THIRD PART	2		K3
4	001-00004	FOURTH PART	1		K3
5	001-00005	FIFTH PART	2		K4
6	001-00006	SIXTH PART	8		K2
7	001-00007	SEVENTH PART	2		K2

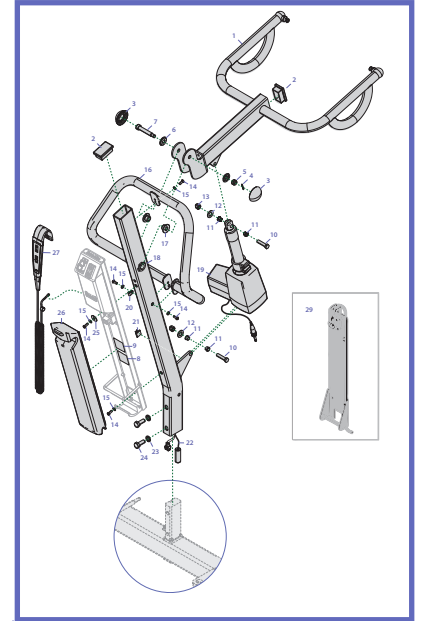
## Legend

- 1 → Callout for single item
- ① --- Callout for assembly kit
- Assembly lines above components
- Assembly lines behind components
- Text in Green Highlights changes from previous revision

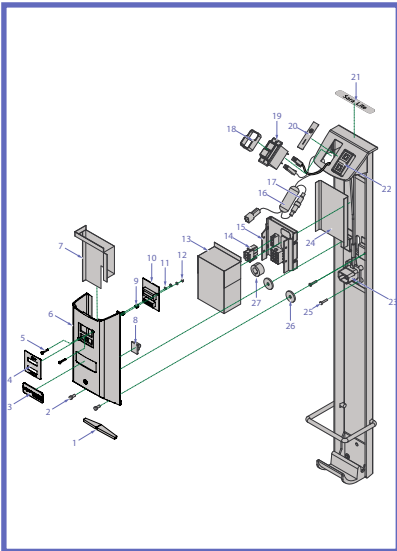
# Sara Lite Parts List Contents



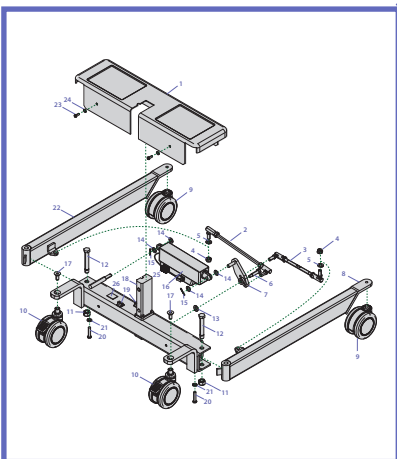
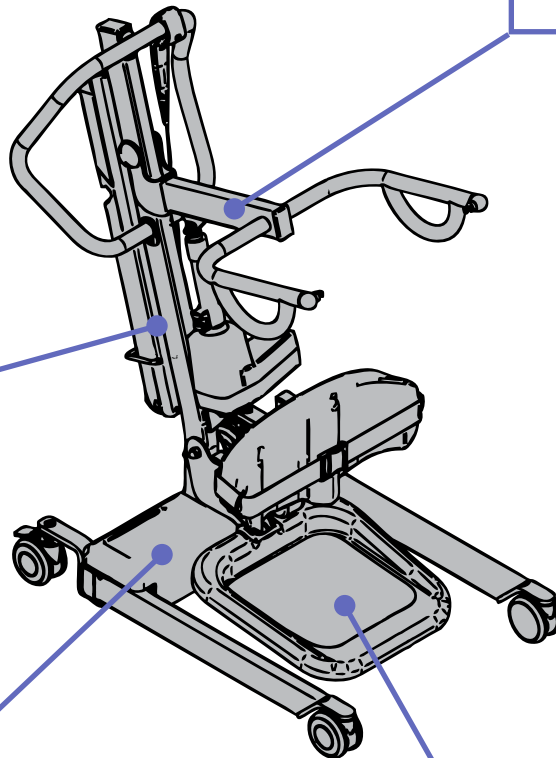
"A - Replacement Kits"- page 2



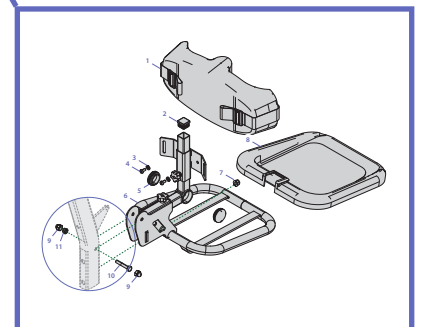
"D - Mast Assembly"- page 6



"E - Control Box"- page 8

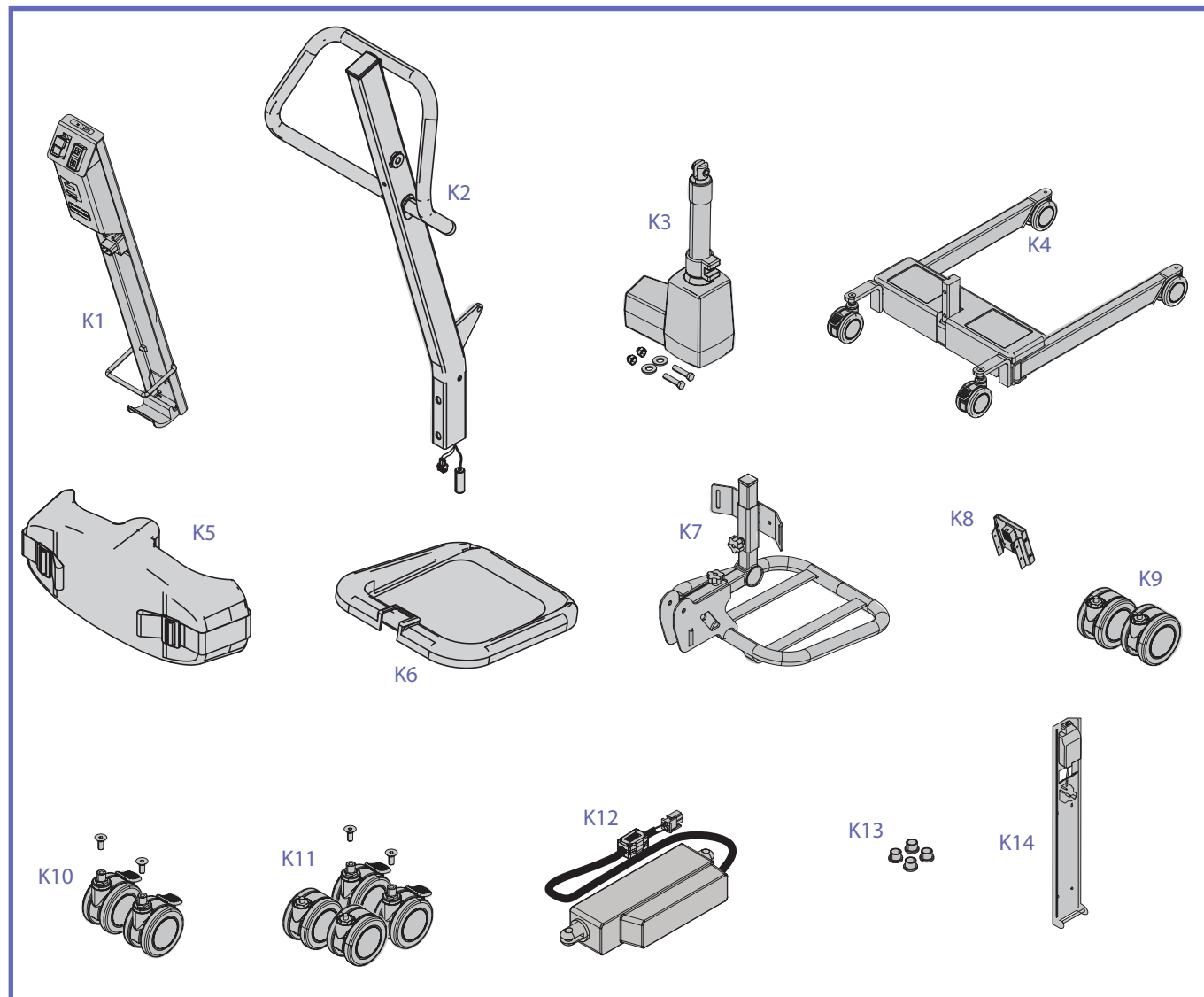


"C - Base Assembly"- page 4



"B - Footstep Assembly"- page 3

## A - Replacement Kits

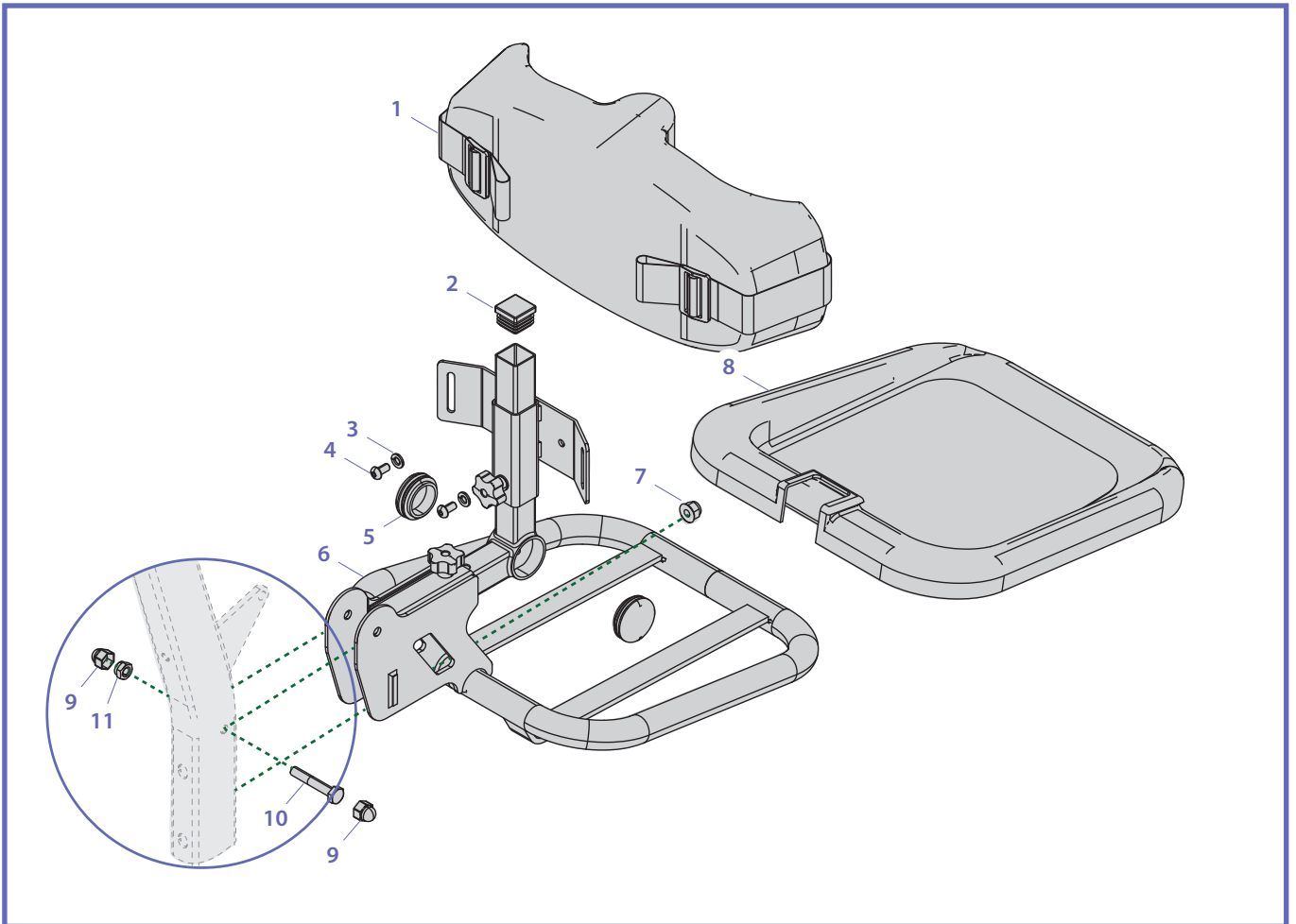


### A

### REPLACEMENT KITS

ITEM	PART №	DESCRIPTION	Included Parts
K1	700-16265-B	MAXI 500 CONTROL BOX ASSEMBLY	E1 - E27
K2	700-26016	MAST ASSEMBLY SARA-LITE	D1, D4-18, D20-D24
K3	700.06610-3	ACTUATOR SARA-LITE	D10-D13, D19
K4	700-26011	BASE ASSEMBLY SARA-LITE	C1-C22
K5	700-26075	CUSHION WITH BUCKLE	B1, B3-B4
K6	700-26073	FOOTSTEP ASSEMBLY	-
K7	700-26002	FOOTSTEP FRAME ASSEMBLY	B2, B5-B6, B8-B11
K8	492-20800-B	CONTROLLER PCB	-
K9	700-00088	FRONT CASTOR REPLACEMENT KIT	C9
K10	700-00079	REAR CASTOR REPLACEMENT KIT	C10, C17
K11	700-00091	4 CASTOR REPLACEMENT KIT	C9-C10, C17
K12	700.20880	MOTORISED ACTUATOR	C14-C16
K13	700-34040	ACTUATOR BUSHING REPLACEMENT KIT	D11
K14	NDA8200-INT	WALL MOUNTED BATTERY CHARGER	-

## B - Footstep Assembly

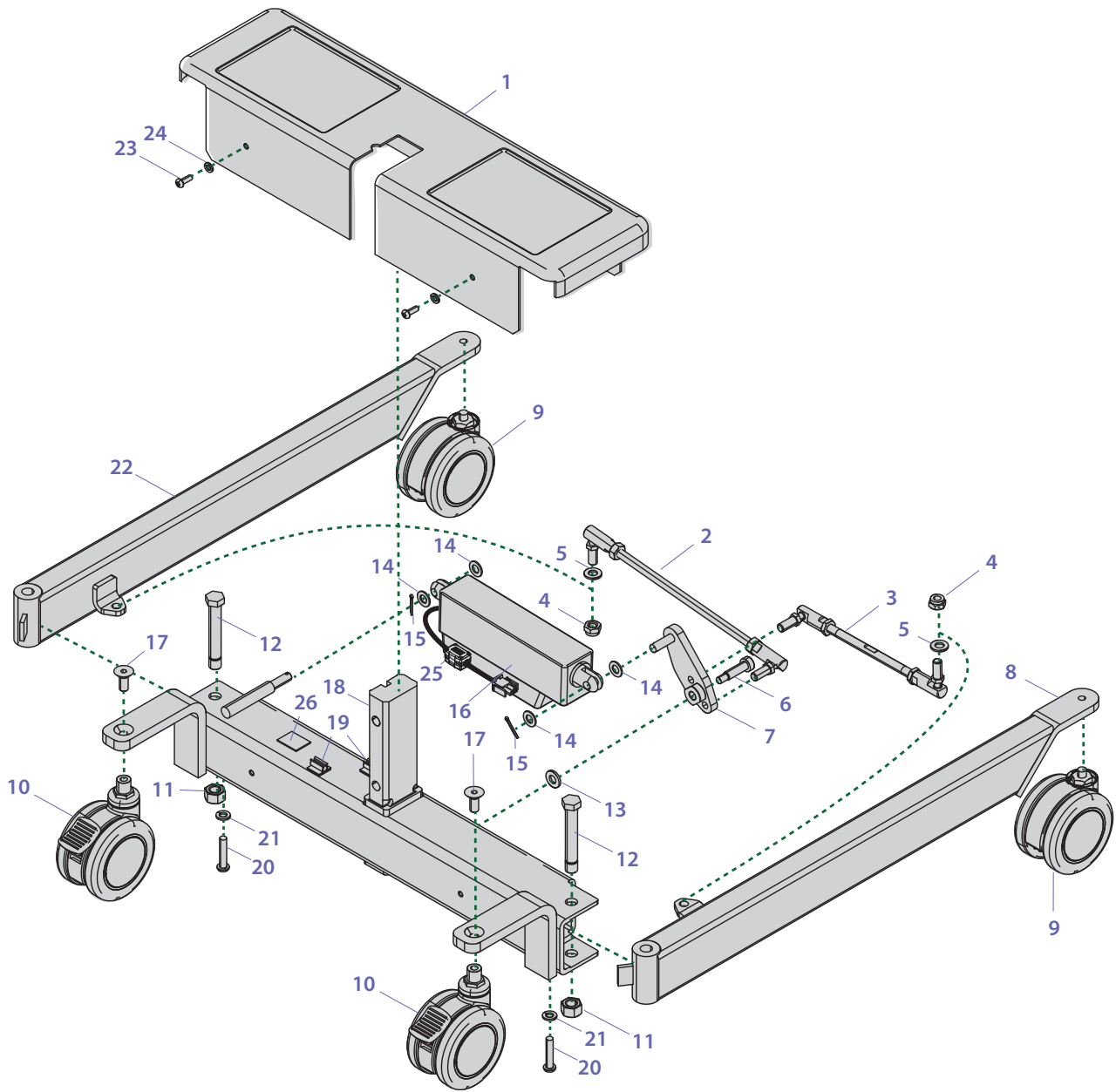


### B

### FOOTSTEP ASSEMBLY

ITEM	PART №	DESCRIPTION	QTY	REMARKS	KIT
1	-	CUSHION AND BUCKLE	1		K5
2	000.26003	1 1/4" SQ 14-20 GA BLACK TUBE INSERT	1		
3	000.03960	LOCK WASHER M8 ZINC	2		
4	000.03613	SCREW M8 X 16 BUTTON ZINC	2		
5	000.26004	Ø2" 10-14 GA BLACK TUBE INSERT	2		
6	-	FOOTSTEP FRAME ASSEMBLY	1		K7
7	000-04413	M10 ZINC PLATED FLANGED LOCKNUT	1		
8	-	FOOTSTEP ASSEMBLY	1		K6
9	000.04422	M10 PLASTIC CAP FOR BOLT (BLACK)	2		
10	000.04290	M10 X 60 HEX ZINC PLATED SCREW	1		
11	000.04410	M10 ZINC PLATED LOCKNUT	1		

# C - Base Assembly

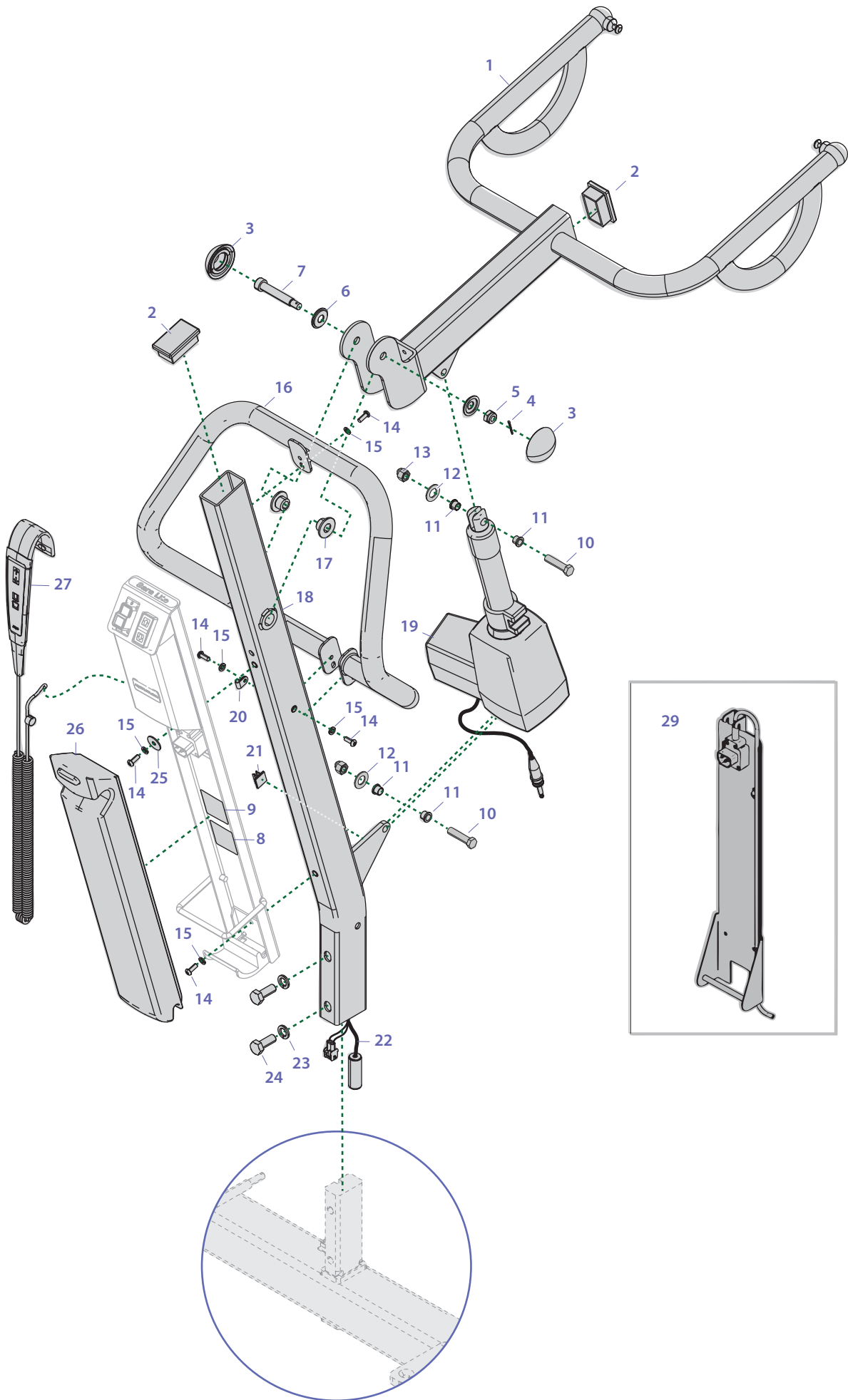




**C****BASE ASSEMBLY**

ITEM	PART №	DESCRIPTION	QTY	REMARKS	KIT
1	000.20317	BASE COVER	1		
2	700.20131	M10 297 L/R ROD END KIT	1		
3	000.20120	213 MM L/R TIE ROD END KIT	1		
4	000.04410	M10 ZINC PLATED LOCKNUT	2		
5	000.04430	M10 ZINC PLATED STEEL FLAT WASHER	2		
6	000.04283	10 X 30 (M8) SHOULDER	1		
7	203.20265	POWER BASE SHIFTER PLATE	1		
8	236.26006	RIGHT LEG ASSEMBLY	1		
9	000.20480	Ø100 MM SWIVEL WHEEL (LIGHT GREY)	2		
10	000.20490	Ø100 MM TOTAL-LOCK FEMALE WHEEL (LIGHT GREY)	2		
11	000.05010	M14 ZINC PLATED STOVER LOCKNUT	2		
12	203.20835	LEG PIVOT ZINC PLATED SCREW	2		
13	000.04450	M10 X 2.5 NYLON FLAT WASHER	1		
14	000.05110	0.0406 X 0.75 X 0.06 FLAT WASHER	4		
15	000.00860	3/32 X 3/4 ZINC PLATED COTTER PIN	2		
16	E0066	POWER BASE ACTUATOR	1		K12
17	000.20065	M10 X 25 ZINC PLATED FLAT SCREW	2		
18	236-20812	POWER BASE	1		
19	000.20606	1/4" SELF-ADHESIVE CABLE CLAMP	2		
20	000.03690	M8 X 40 ZINC PLATED BUTTON SCREW	2		
21	000.03960	M8 ZINC PLATED LOCK WASHER	2		
22	236.26001	LEFT LEG ASSEMBLY	1		
23	000.02555	SCREW M5 X 12 BUTTON SS	2		
24	000.02905	FLAT WASHER M5 X 12OD X 1TH	2		
25	405-26000	FERRITE	1		
26	001.00260	TWO-WAY TAPE (ROLL)	*	*2.54 cm (1 in)	

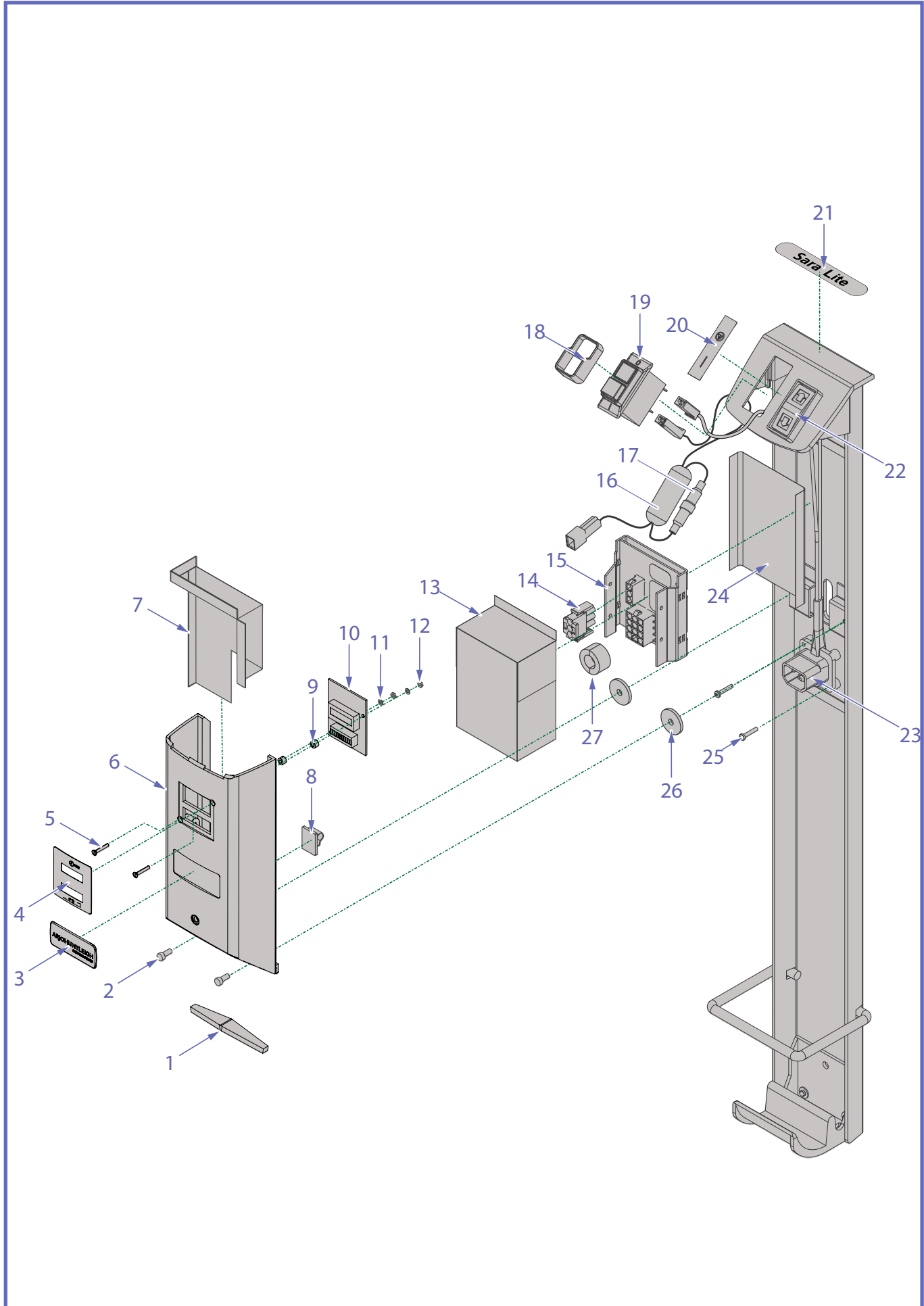
# D - Mast Assembly



**D****MAST ASSEMBLY**

ITEM	PART №	DESCRIPTION	QTY	REMARKS	KIT
1	236.26020	BOOM	1		
2	000.20160	1 1/2" X 2 1/2" TUBE INSERT (BLACK)	2		
3	000.20501	BOLT CAP	2		
4	000.01800	2 X 20 ZINC PLATED COTTER PIN	1		
5	000.04410	M10 ZINC PLATED LOCKNUT	1		
6	202.20830	BOOM PIVOT SPACER	2		
7	000.04600	12 X 60 (M10) SHOULDER	1		
8	-	SERIAL NUMBER LABEL	1		
9	-	PRODUCT IDENTIFICATION LABEL	1		
10	000.04283	10 X 30 M8 SHOULDER	2		
11	034040-B	BUSHING	4		
12	000-03804	M8 WASHER BLACK	2		
13	000-03803	NUT ACORN M8 BLK ZINC	2		
14	000.03105	M6 X 16 ZINC PLATED BUTTON SCREW	5		
15	000.03420	M6 ZINC PLATED LOCK WASHER	5		
16	233.20850	HANDLE	1		
17	200.20250	BOOM BUSHING	2		
18	236.26016	MAST	1		
19	400.06515	LA-34-200 ACTUATOR	1		
20	E0295	3/16" CABLE CLAMP	1		
21	000.20606	SELF-ADHESIVE 1/4" CABLE CLAMP	1		
22	700.20800	POWER BASE WIRE HARNESS	1		
23	000.04910	M12 ZINC PLATED LOCK WASHER	2		
24	000.04550	M12 X 30 HEX ZINC PLATED SCREW	2		
25	000.03450	M6 (25 OD) ZINC PLATED STEEL FLAT WASHER	1		
26	NDA0100-20	BATTERY (GREY)	1		
27	700.16265	CONTROL BOX	1		
28	KMX82368-XX	HANDSET (GREY)	1		
29	NDA8200-INT	WALL MOUNTED BATTERY CHARGER	1		

# E - Control Box



<b>E CONTROL BOX</b>					
ITEM	PART #	DESCRIPTION	QTY	REMARKS	KIT
1	HMX981	FOAM RUBB STRIP BATTERY	2		
2	HMX420	M4 X 10 PHILLIPS SCREW	2		
3	8418700	"ARJOHUNTLEIGH" STICKER	1		
4	HMX913	LABEL HOURS RUN	1		
5	HMX925	M2.5 X 16 FLAT SCREW	2		
6	HMX973	ELECTRICAL COVER	1		
7	200-25134	FILM PLASTIC PROTECTOR BDI	1		
8	450-00159	WIRE CLIP LATCH .19" SELF ADH	1		
9	HMX1054	SPACER 3.1 X 6 X 4	2		
10	HMX974	BATTERY STATUS INDICATOR	1		
11	HMX875	M2.5 WASHER	2		
12	HMX873	M2.5 NUT	2		
13	200-25135	FILM PLASTIC PROTECTION MOT BRD	1		
14	450.00315	MATE-N-LOCK PLUG 3	1		
15	492.20800	PCB ASSY	1		K1
16	405-26001	FERRIT CYLINDER CLAMP-ON 6.60 mm	1		
17	402.16265	IN-LINE FUSE HOLDER ASSY	1		
18	KKX21360-00	BEZEL	1		
19	460.20800	10A BREAKER SWITCH	1		
20	TMO-323	ON/OFF STICKER	1		
21	001-00561	SARA LITE PRODUCT NAME LABEL	1		
22	HMX998	SWITCH H/L	1		
23	HMX1060	CABLE ASS'Y LEC BULGIN PLUG	1		
24	001.00026	CONTROL BOX MICA	1		
25	S3453	M3 X 16 PHILLIPS SCREW	2		
26	HMX332	NYLON RING DIA. 4.3 X 18 X 2	2		
27	405.20800	FERRITE 10 mm	1		

# ARJOHUNTLEIGH

GETINGE GROUP

**GETINGE GROUP** is a leading global provider of products and systems that contribute to quality enhancement and cost efficiency within healthcare and life sciences. We operate under the three brands of **ArjoHuntleigh**, **GETINGE** and **MAQUET**. **ArjoHuntleigh** focuses on patient mobility and wound management solutions. **GETINGE** provides solutions for infection control within healthcare and contamination prevention within life sciences. **MAQUET** specializes in solutions, therapies and products for surgical interventions and intensive care.

[www.ArjoHuntleigh.com](http://www.ArjoHuntleigh.com)



**ArjoHuntleigh AB**  
Hans Michelsensgatan 10  
211 20 Malmö  
SWEDEN