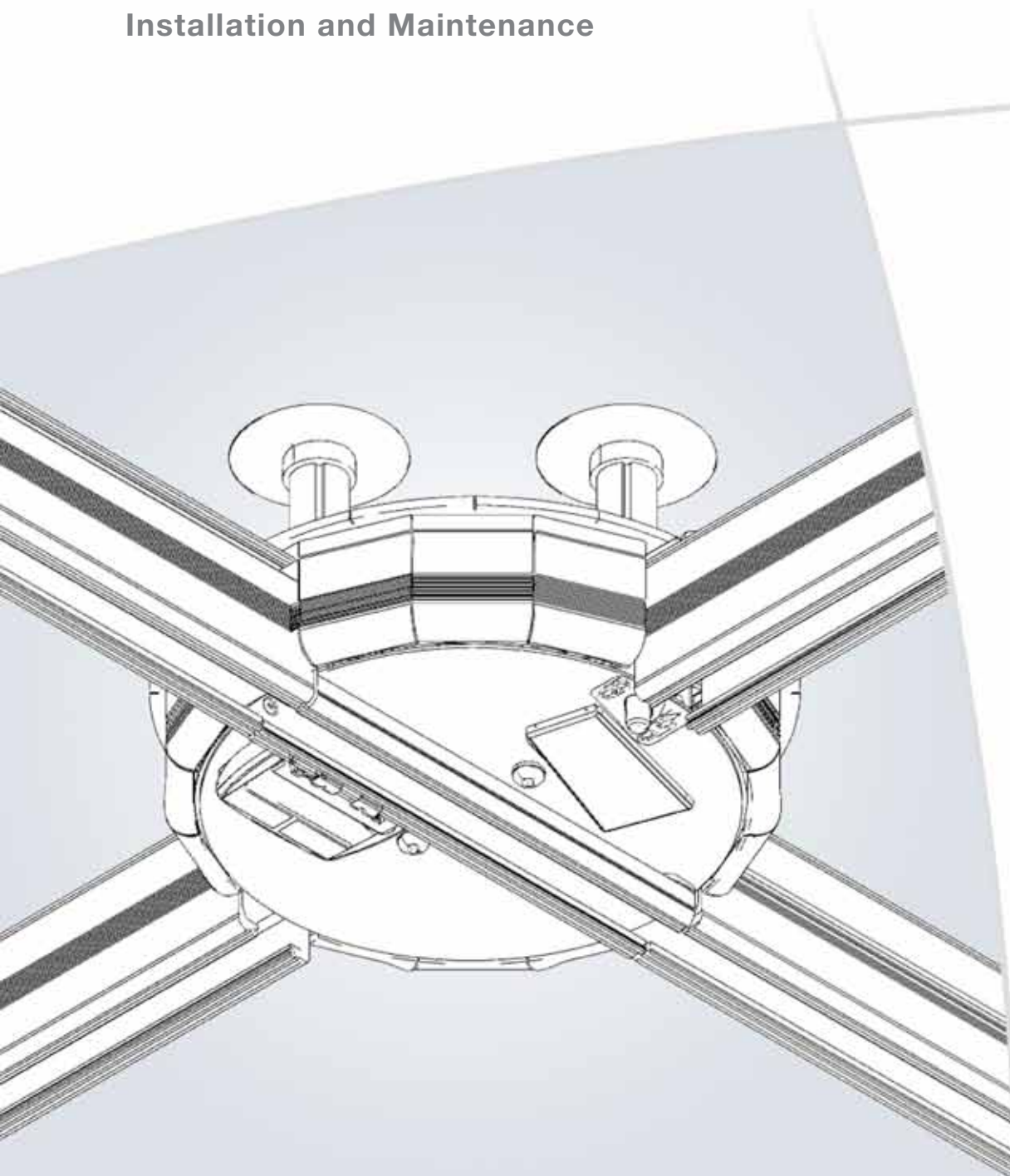


**KWIKtrak Turntable**  
Installation and Maintenance



## Design Policy and Copyright

® and ™ are trademarks belonging to the ArjoHuntleigh group of companies.  
© ArjoHuntleigh 2013.

As our policy is one of continuous improvement, we reserve the right to modify designs without prior notice. The content of this publication may not be copied either whole or in part without the consent of ArjoHuntleigh.

# Table of Contents

<b>Safety Instructions .....</b>	<b>1</b>
Definitions Used in this Manual .....	1
<b>Parts Description &amp; Labels.....</b>	<b>2</b>
Automatic KWIKtrak Turntable .....	2
Manual KWIKtrak Turntable .....	3
<b>Installing the Automatic KWIKtrak Turntable .....</b>	<b>4</b>
Verifying the Packaging Contents.....	4
Installation General Rules.....	4
Setting Up Track Layout .....	4
Fixing the KWIKtrak Turntable to the Structure.....	6
Final Inspection of the Installation .....	7
<b>Installing the Manual KWIKtrak Turntable .....</b>	<b>8</b>
Verifying the Packaging Contents.....	8
Installation General Rules.....	8
Setting Up Track Layout .....	8
Fixing the KWIKtrak Turntable to the Structure.....	9
Adjusting Pull Cord's Length.....	10
Final Inspection of the Installation .....	10
<b>Care and Maintenance .....</b>	<b>11</b>
Preventive Maintenance Schedule .....	11
Annual Inspection .....	11
Cleaning.....	11
<b>Troubleshooting .....</b>	<b>12</b>
Automatic Turntable № 700.11600 .....	12
Manual Turntable № 700-11850 .....	12
<b>Technical Specifications.....</b>	<b>13</b>
KWIKtrak Turntable Dimensions .....	14
<b>Electromagnetic Compatibility.....</b>	<b>15</b>
Electromagnetic Compliance.....	15
Electromagnetic Emissions.....	15
Electromagnetic Immunity .....	16



- A. ARJOHUNTLEIGH ceiling lifts and track system must be installed by an authorized contractor or installer and in accordance to local regulations.
- B. Only a qualified technician or installer can remove or install the lift onto the track system.
- C. ARJOHUNTLEIGH strongly advises that only ARJOHUNTLEIGH designated parts, which are designed for the purpose, should be used on equipment and other ARJOHUNTLEIGH supplied appliance to avoid injuries attributable to the use of inadequate parts. ARJOHUNTLEIGH's conditions of sale make specific provisions confirming no liability in such circumstances. Our policy is one of continuous development, and we, therefore reserve the right to change specifications without notice.
- D. Unauthorized modifications on any ARJOHUNTLEIGH equipment may affect its safety and are in breach of any warranty on it. ARJOHUNTLEIGH will not be held responsible for any accidents, incidents or lack of performance that occur as a result of unauthorized modifications to its products.
- E. Dangerous substances: If using hazardous substances be sure how to handle them and refer to applicable information. When in doubt, refer to the local authorities for health and safety requirements.
- F. It is strongly recommended that every technician follows the procedures as indicated in this manual. Every procedure has been studied in perspective on minimizing the risks either for the technician or the ceiling lift. Even if some of the procedures are not the shortest ones, they are the most effective on a long term basis.
- G. Before using the KWIKtrak Turntable, make sure that all end stoppers are in place and well tightened.

## Definitions Used in this Manual

### **WARNING:**

Means: Failure to understand and follow this instruction may result in injury to yourself and others.

### **CAUTION:**

Means: Failure to follow this instruction may cause damage to the product(s).

### **NOTE:**

Means: Important information regarding correct use of the product.

# Parts Description & Labels

## Automatic KWIKtrak Turntable

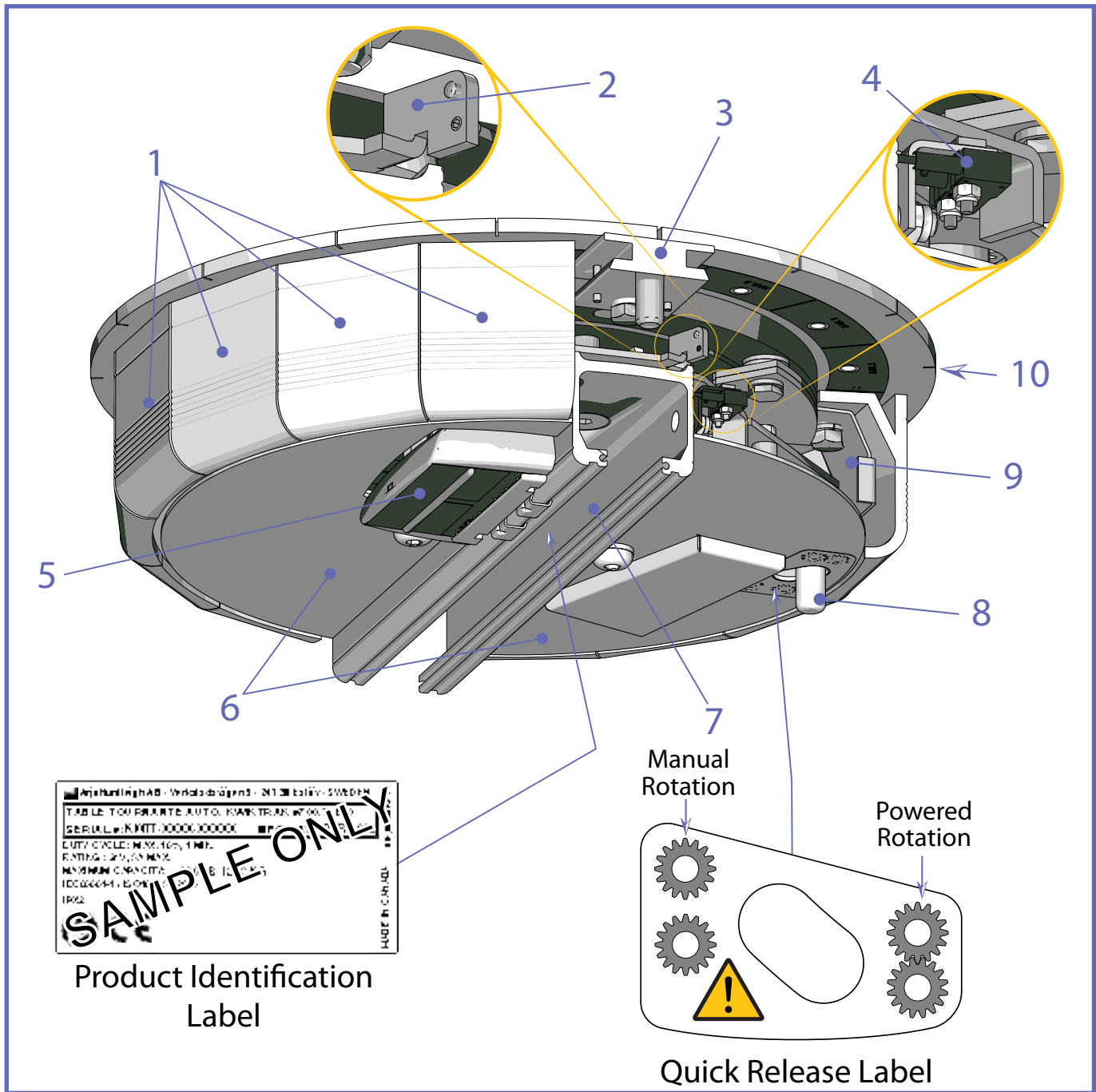


Fig. 1

### Legend

- |                            |                             |
|----------------------------|-----------------------------|
| 1) End Stoppers            | 6) Covers                   |
| 2) Limit Arm               | 7) Pivoting Track           |
| 3) Track Junction Fastener | 8) Quick Release            |
| 4) Limit Switch            | 9) Track Simulation Bracket |
| 5) Activation Station      | 10) Alignment Marks*        |

\* Note: Alignment marks are bigger in "RAIL 1" and "RAIL 1B" positions.

# Manual KWIKtrak Turntable

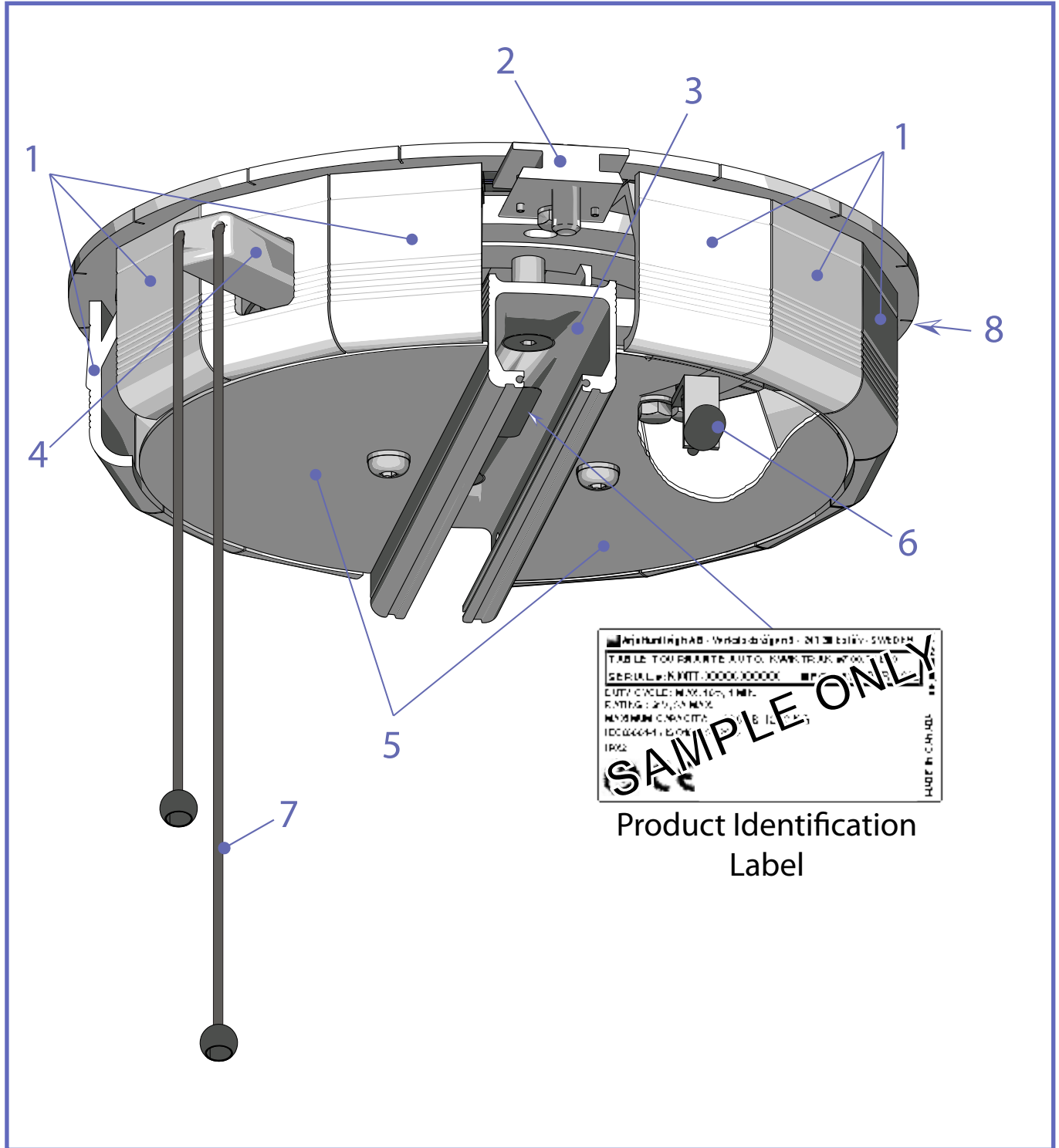


Fig.2

## Legend

- |                            |                         |
|----------------------------|-------------------------|
| 1) End Stoppers            | 5) Covers               |
| 2) Track Junction Fastener | 6) Limit Stopper        |
| 3) Pivoting Track          | 7) Activation Pull Cord |
| 4) Activation Arm          | 8) Alignment Marks      |

\* Note: Alignment marks are bigger in "RAIL 1" and "RAIL 1B" positions.

# Installing the Automatic KWIKtrak Turntable

## Verifying the Packaging Contents

Ensure to have all components of the turntable in hand before beginning the installation.

Open the packaging and remove the parts from the box. It should contain:

Part Description	Qty
Automatic KWIKtrak Turntable	1
End stoppers	8
Track simulation bracket	1
U-clips	2
Track junction fastener	4

## Installation General Rules

There are several possible track layouts with the turntable. When planning a track layout you must consider the following:

- End stoppers must be installed in each unused position.
- There is one main path and the possibility of one secondary path out of four available choices, see Fig.3.
- Maximum rotation is 90° by increment of 22.5°.
- All tracks must be positioned in the green sections. Do not install any tracks in the red sections (marked "NO RAIL"). The end stopper plates that are pre-installed at the factory completely cover these red sections, see Fig.3 .

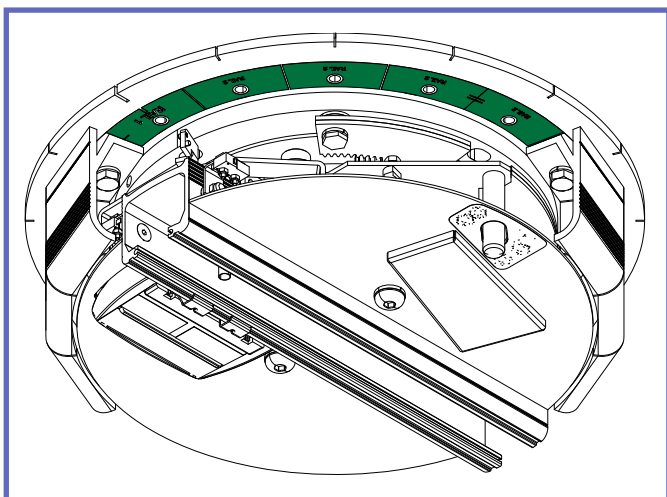


Fig. 3

## Setting Up Track Layout

1) Remove both covers, see Fig.4.

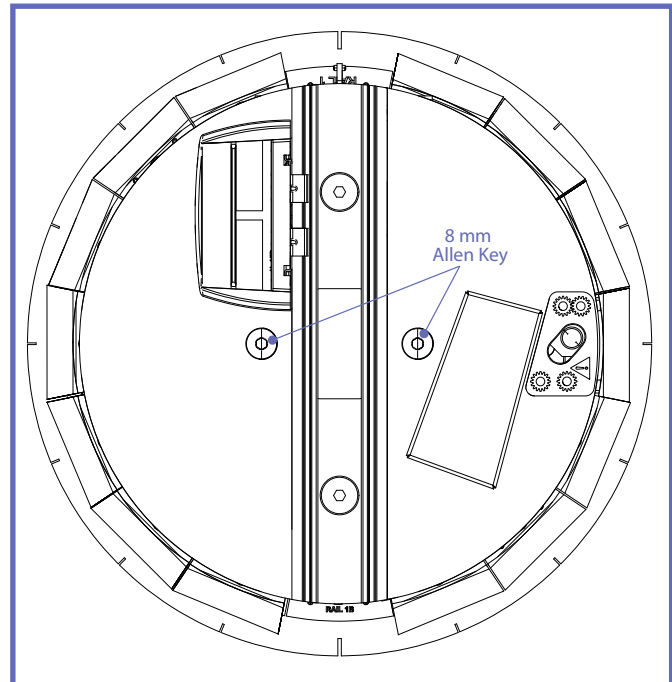


Fig. 4

2) Make sure the turntable pivoting track is in "RAIL 1" position.

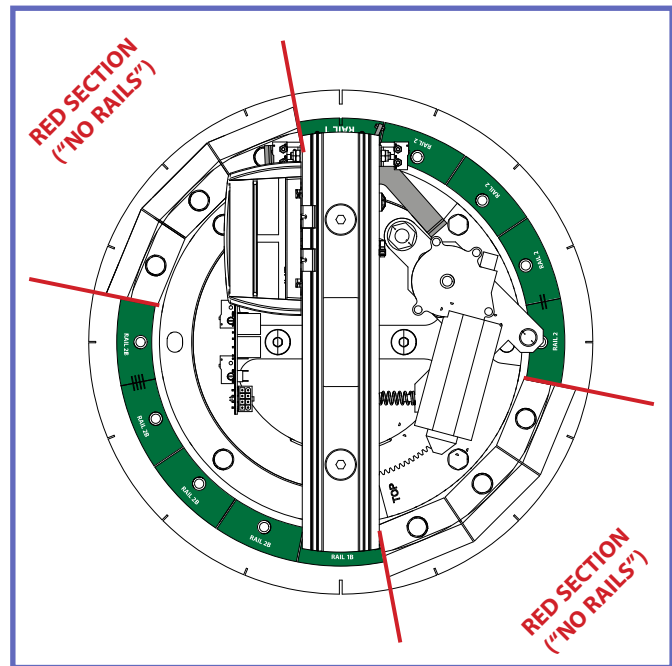


Fig. 5



3) Setup the track layout on the floor with the turntable track facing down, see Fig. 6.

4) Make sure the turntable is place such as the Activation Station is located on the side where the Ceiling Lift contact blades will be placed.

5) Place the main track in the position labelled "RAIL 1".

6) According to your needs, a track can be placed in the position labelled "RAIL 1B".

7) Place the secondary track in one of the eight positions in the green sections labelled "RAIL 2" or "RAIL 2B".

**NOTE:** If no track is installed in any of "RAIL 2" positions, a track simulation bracket must be installed in the position opposite to the track installed in the "RAIL 2B" position, see Fig. 7.

This track simulation bracket allows the limit switch to detect when the pivoting track is align with the track in "RAIL 2" position.

8) According to your needs, one track can be placed in the green section opposite to the track previously placed providing it is aligned with this one.

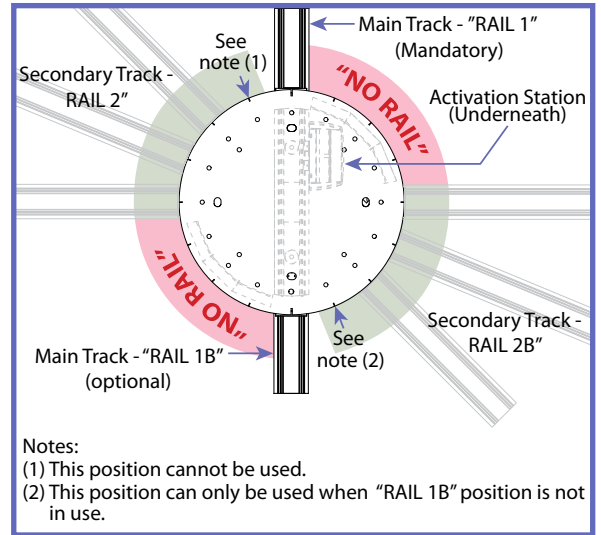


Fig. 6

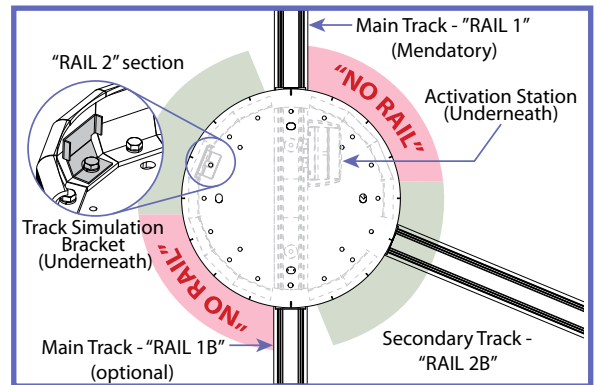


Fig. 7

9) Review the track layout, see Fig. 8.

Acceptable Installation	Not Acceptable Installation		
<ul style="list-style-type: none"> <li>• A track is present in the main position ("RAIL 1").</li> <li>• A track is present in one of the secondary positions (RAIL 2" or "RAIL 2B"). <ul style="list-style-type: none"> <li>• Both tracks in the secondary positions are aligned with each other.</li> <li>• End stoppers are present in every unused position.</li> </ul> </li> </ul>	<ul style="list-style-type: none"> <li>• Tracks in the secondary positions ("RAIL 2" and "RAIL 2B") are not aligned with each other.</li> </ul>	<ul style="list-style-type: none"> <li>• More than one path is used in the secondary positions ("RAIL 2" and "RAIL 2B").</li> </ul>	<ul style="list-style-type: none"> <li>• Use of adjacent track positions is not permitted ("RAIL 1B" and adjacent "RAIL 2B").</li> </ul>

Fig. 8

## Fixing the KWIKtrak Turntable to the Structure

- 1) Use a rotating laser to align the tracks with the turntable. Use the two alignment marks on the turntable main plate to accomplish with the centre of the tracks, see Fig. 1.
- 2) Use a plumb laser to pinpoint the turntable mounting location on the ceiling. (Refer to the track installation manual for further information). There are four mounting points on the turntable. Refer to Fig.9 to locate drilling location.

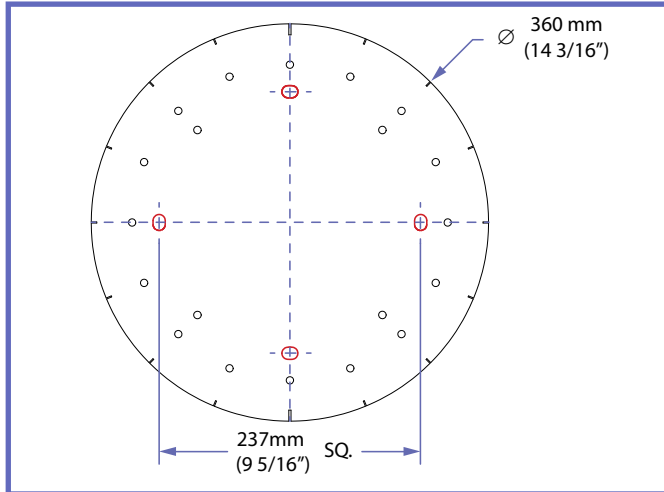


Fig.9

- 3) Install track junction fasteners on the track ends that will connect to the turntable. Make sure the stoppers (spring pins) are in contact with the track then lock the setscrew in place using a 6 mm Allen Key (recommended torque: 20 N·m or 15 lbf·ft).

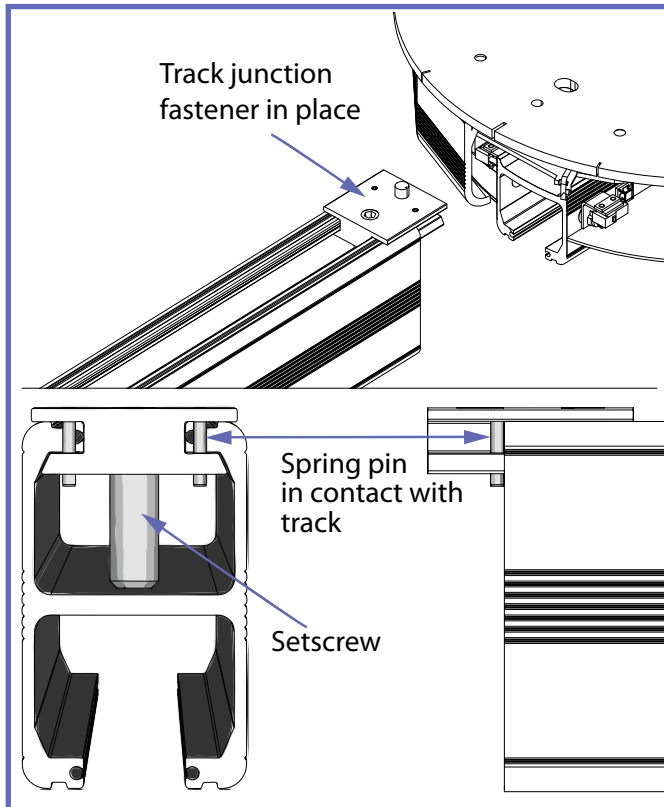


Fig.10

- 4) Mount the turntable to the ceiling.
  - Refer to the KWIKtrak installation manual for details about installing the turntable to the structure.
  - Be aware of any obstacles that can have an impact on the track's course.
  - Use the four holes, as shown on Fig.9.
  - Once installed, the threaded rod used for mounting should not extend more than (1/2") below the bearing plate.
- 5) Rotate the limit arm inside the turntable to position it between "RAIL 1" and "RAIL 2", see Fig. 11.

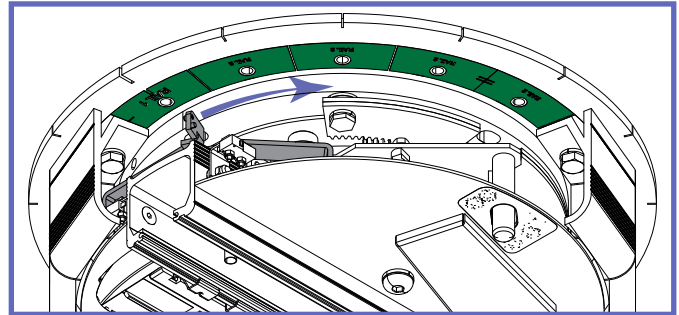


Fig.11

- 6) Attach the tracks to the turntable using the previously installed track fasteners, see Fig. 10. Use a 13 mm socket to screw bolt to 20 N·m (15 lbf·ft). The turntable must be level in all directions.

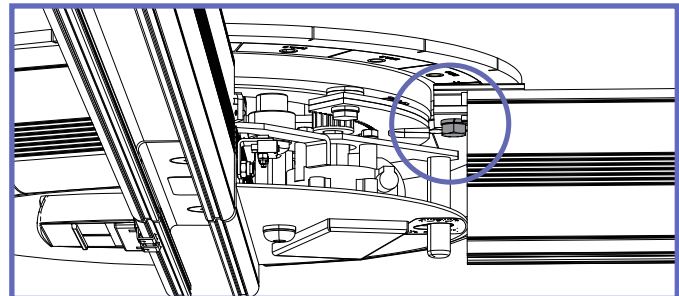


Fig.12

- 7) Locate the limit arm for the limit switches within the turntable. Insert a metal U-clip on either track wall where the limit arm makes contact with the tracks.

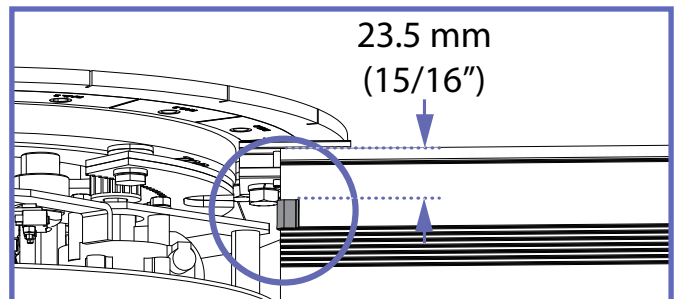


Fig.13

- 8) Install an end stopper on each unused position taking care to align it with the ones along side.

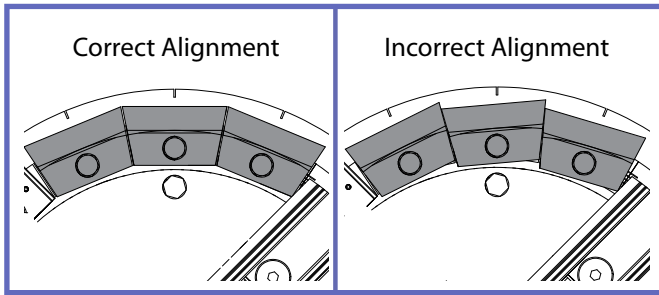


Fig. 14

**WARNING:** End stoppers are part of a security device. They must be present on every unused position to avoid the lift from falling out of the turntable. Make sure each bolt is tightened to 12 N·m (9 lbf·ft).

- 9) Reinstall the 2 covers, using the button head screws, with a 6 mm Allen Key. Tighten screws to 7 N·m (5 lbf·ft).
- 10) Engage the Quick-release to manually rotate the pivoting track. Proceed with caution to avoid injuries. Make sure that no metal parts - such as end stoppers or covers - are interfering with each others when the mechanism is being rotated. The bearing plate must turn easily.
- 11) Insert the patient lift unit into the track system. Make sure the lift power contact blades align with the turntable activation station.
- 12) Install end stoppers at each track end to prevent the lift from exiting the track (recommended torque : 12 N·m (9 lbf·ft)).

## Final Inspection of the Installation

- 1) Turn on the lift.
- 2) Move the lift under the turntable.
- 3) Wait a few seconds - you will hear an audible signal and the turntable will rotate to the next position.
- 4) Move the lift out of the turntable and then bring it back to test the rotation in opposite direction.
- 5) Wait a few seconds - you will hear an audible signal and the turntable will turn back to its initial position.
- 6) Check the alignment of the pivoting track and the fixed track - if the tracks aren't well aligned, use a 1.5 mm Allen key to adjust the limit arm contact point. Sliding the screw in a direction will make the pivoting track to stop farther in the opposite direction.

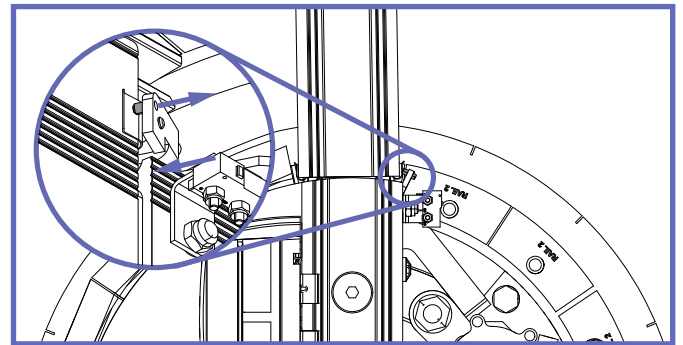


Fig. 15

- 7) Repeat inspection procedure until the pivoting track aligns correctly with both fixed tracks.
- 8) Make sure that the gap between the pivoting track and all fixed tracks is inferior to 1.6 mm [1/16"].
- 9) Test the Quick-release feature by moving the button sideways and manually turning the pivoting track.
- 10) Upon successful completion of the functional tests, put the covers back then the turntable is ready to use.
- 11) It is recommended to test the turntable in charge (min. SWL) as per instructions in track installation manual.

# Installing the Manual KWIKtrak Turntable

## Verifying the Packaging Contents

Ensure to have all components of the turntable in hand before beginning the installation.

Open the packaging and remove the parts from the box. It should contain:

Part Description	Qty
Manual KWIKtrak Turntable	1
End stoppers	8
Track junction fastener	4

## Installation General Rules

There are several possible track layouts with the turntable. When planning a track layout you must consider the following:

- End stoppers must be installed in each unused position.
- Maximum rotation is 90° by increment of 22.5°.
- All tracks must be positioned in the green sections. Do not install any tracks in the red sections (marked "NO RAIL"). The end stopper plates that are pre-installed at the factory completely cover these red sections, see Fig. 16 .

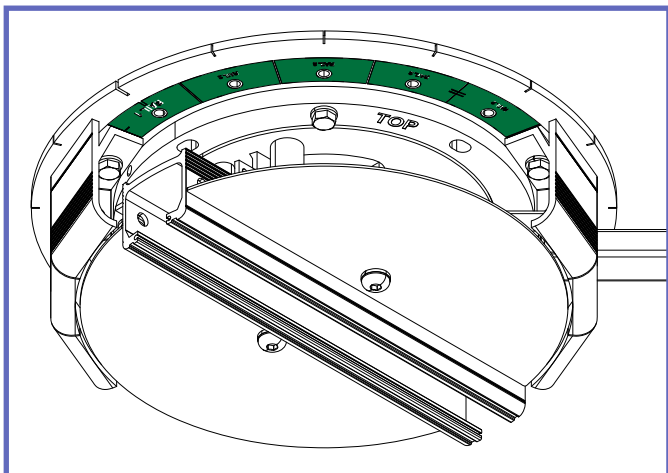


Fig. 16

## Setting Up Track Layout

- 1) Remove both covers, see Fig. 17.

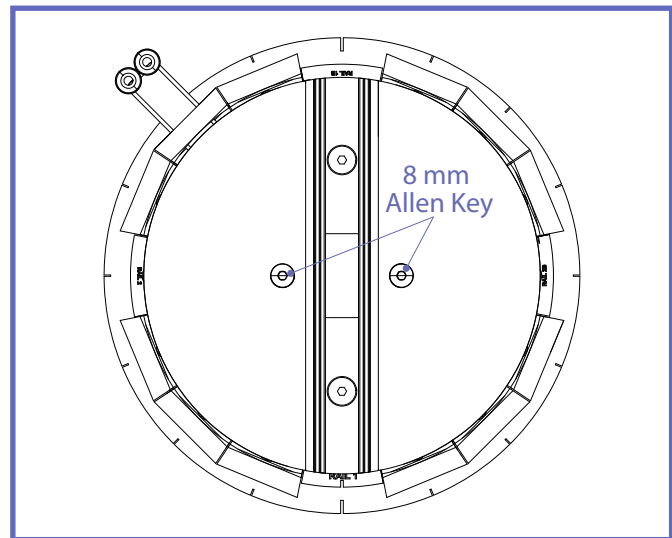


Fig. 17

- 2) Make sure the turntable pivoting track is in "RAIL 1" position.

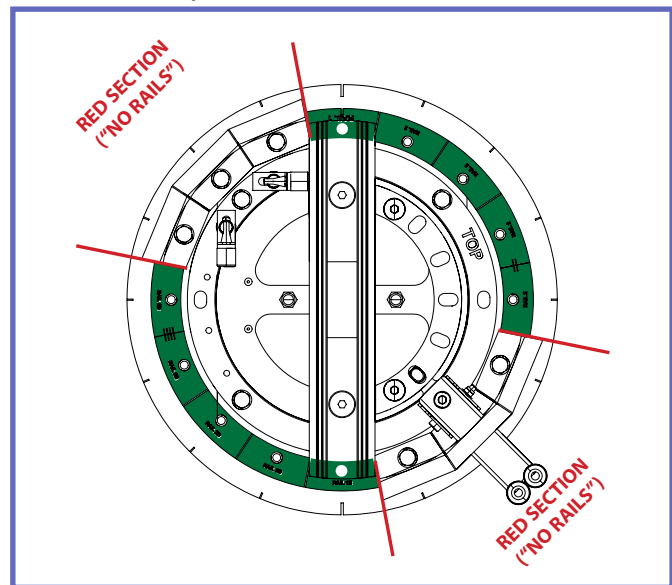


Fig. 18

- 3) Setup the track layout on the floor with the turntable track facing down, see Fig. 19.

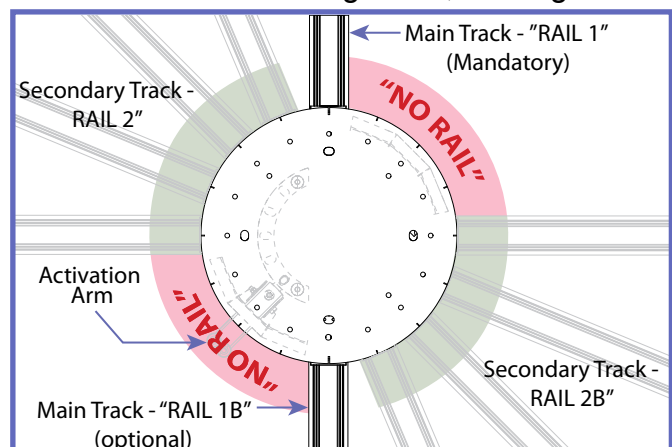


Fig. 19

- 4) Place the main track in the position labelled "RAIL 1".
  - 5) According to your needs, a track can be placed in the position labelled "RAIL 1B".
  - 6) Place the secondary tracks in the green sections labelled "RAIL 2" or "RAIL 2B".
  - 7) Review the track layout, see Fig.20.
- 3) Install track junction fasteners on the track ends that will connect to the turntable. Make sure the stoppers (spring pins) are in contact with the track then lock the setscrew in place using a 6 mm Allen Key (recommended torque: 20 N·m or 15 lbf·ft).

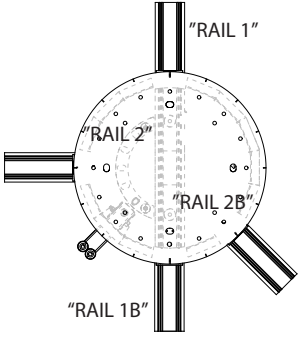
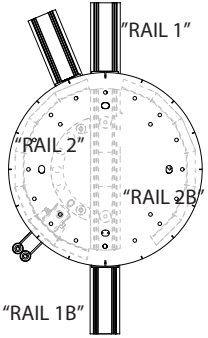
Acceptable Installation	Unacceptable Installation
	
<ul style="list-style-type: none"> <li>• A track is present in the main position ("RAIL 1").</li> <li>• A track is present in the secondary positions (RAIL 2" or "RAIL 2B").</li> <li>• End stoppers are present in every unused position.</li> </ul>	<ul style="list-style-type: none"> <li>• An end stopper is missing in the "RAIL 2B" section.</li> </ul>

Fig.20

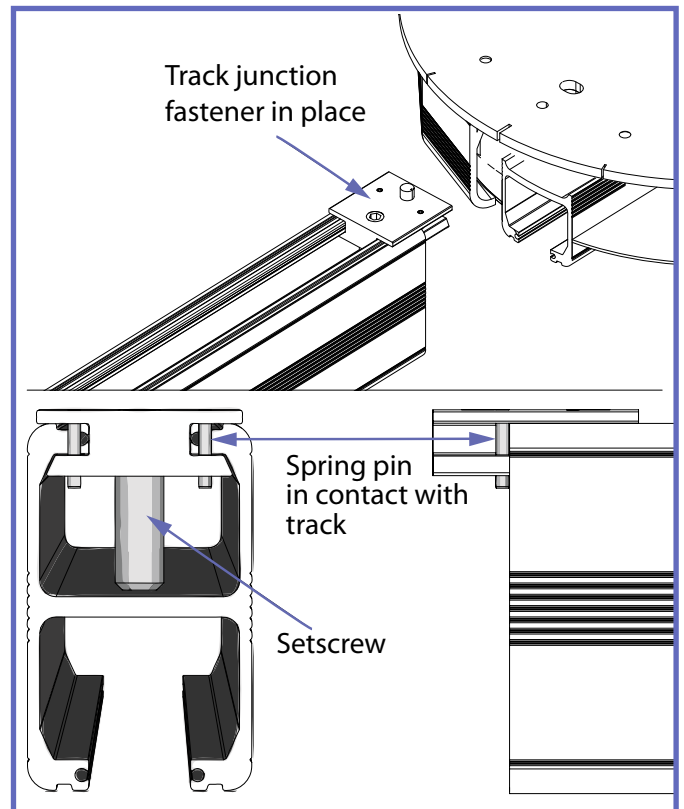


Fig.22

## Fixing the KWIKtrak Turntable to the Structure

- 1) Use a rotating laser to align the tracks with the turntable. Use the two alignment marks on the turntable main plate to accomplish with the centre of the tracks, see Fig. 1.
  - 2) Use a plumb laser to pinpoint the turntable mounting location on the ceiling. (Refer to the track installation manual for further information). There are four mounting points on the turntable. Refer to Fig.21 to locate drilling location.
- 4) Mount the turntable to the ceiling.
    - Refer to the KWIKtrak installation manual for details about installing the turntable to the structure.
    - Be aware of any obstacles that can have an impact on the track's course.
    - Use the four holes, as shown on Fig.21.
    - Once installed, the threaded rod used for mounting should not extend more than (1/2") below the bearing plate.
  - 5) Attach the tracks to the turntable using the previously installed track fasteners, see Fig.22. Use a 13 mm socket to screw bolt to 20 N·m (15 lbf·ft). The turntable must be level in all directions.

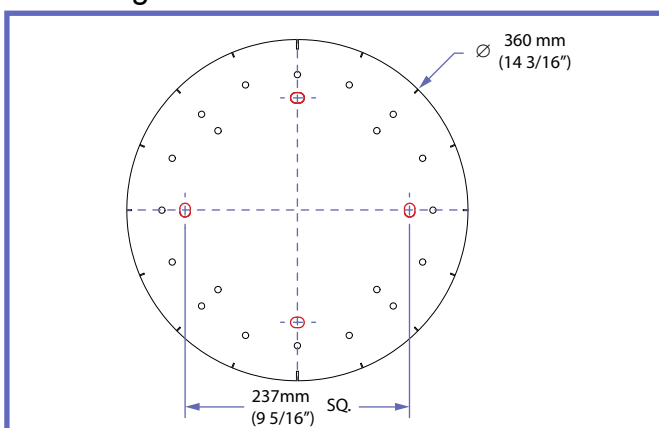


Fig.21

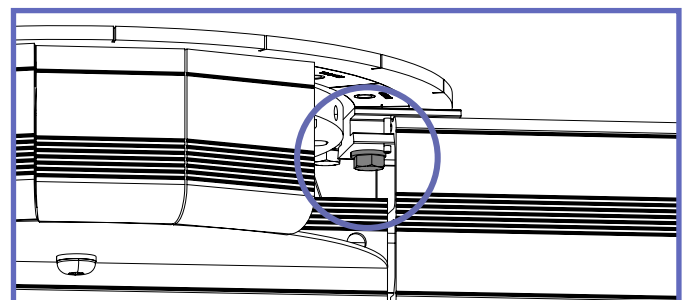


Fig.23

- 6) Install an end stopper on each unused position taking care to align it with the ones along side.

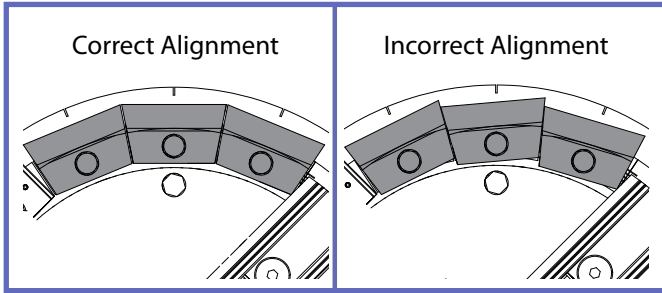


Fig. 24

**WARNING:** End stoppers are part of a security device. They must be present on every unused position to avoid the lift from falling out of the turntable. Make sure each bolt is tightened to 12 N·m (9 lbf·ft).

- 7) Review position of the limit stoppers. Make sure they are placed to limit the pivoting track maximum course in both directions, see examples in Fig. 25. Use a 10 mm Hex Socket and tighten to 7 N·m (5 lbf·ft).

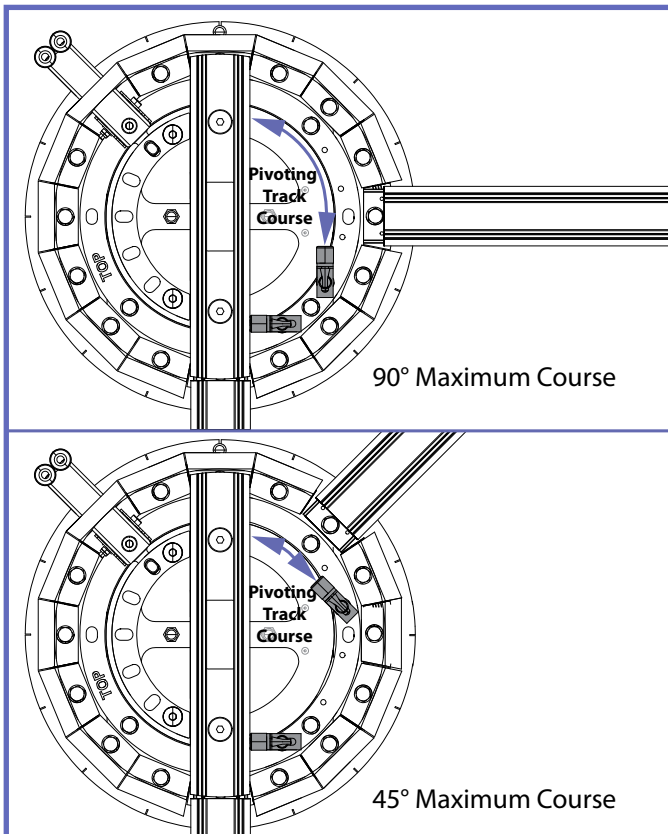


Fig. 25

- 8) Reinstall the 2 covers, using the button head screws, with a 6 mm Allen Key. Tighten screws to 7 N·m (5 lbf·ft).
- 9) Install stoppers at each track end to prevent the lift from exiting the track (recommended torque : 12 N·m (9 lbf·ft)).

## Adjusting Pull Cord's Length

- 1) If the pull cords are too long, they may be shortened as follows.
- 2) Turn the mechanism halfway so that both cords are of equal length.
- 3) Cut both cords to equal length making sure that you leave at least 20 cm (8 in) on each cord.
- 4) Insert one knob on each cord and secure it with a double knot.
- 5) Remove the warning card.

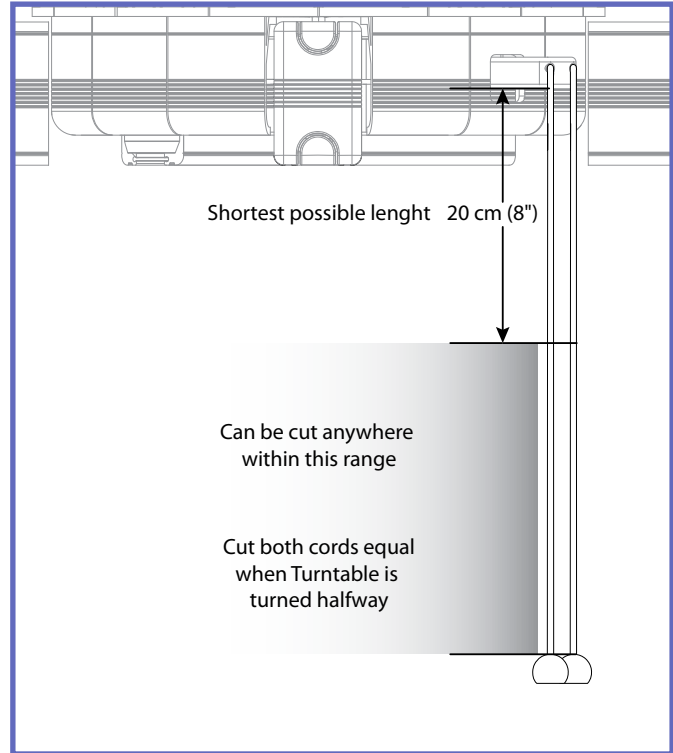


Fig. 26

## Final Inspection of the Installation

- 1) Pull on the shortest cord to manually rotate the pivoting track. Make sure that no metal parts - such as end stoppers or covers - are interfering with each others when the mechanism is being rotated. The bearing plate must turn easily.
- 2) Make sure that the gap between the pivoting track and all fixed tracks is inferior to 4.0 mm (5/32").
- 3) It is recommended to test the turntable in charge (min. SWL) as per instructions in track installation manual.
- 4) Cut the ropes to the highest reachable height to restraint reach.

The Turntable is ready to use.

## Preventive Maintenance Schedule

The equipment is subjected to wear and tear, and the following maintenance instructions must be acted upon when specified to ensure that the equipment remains within its original manufacturing specifications. Care and maintenance must be carried out in accordance with the preventive maintenance schedule below.

Customer obligations must be carried out by qualified personnel in accordance with the instructions in this manual.

**WARNING:** The maintenance described in the following checklist is the minimum that the manufacturer recommends. In some cases more frequent inspections should be carried out. Continuing to use this equipment without conducting regular inspections or when a fault is found will seriously compromise the safety of the user and of the resident. Local regulations and standards may be higher than those of the manufacturer. Service and preventive maintenance can be arranged with the manufacturer. Preventive maintenance specified in this manual can prevent accidents and reduce repair costs.

**WARNING:** Safety related maintenance and authorized service must be carried out by qualified personnel, fully trained in servicing procedures by ArjoHuntleigh, and equipped with correct tools and proper documentation including Parts List and Service Manual. Failure to meet these requirements could result in personal injuries and/or unsafe equipment.

## Annual Inspection

Inspections for the KWIKtrak Turntable
Inspect for evidence of external damage or missing parts.
Make sure that the activation stations are clean. (Automatic Model)
Make sure the lift moves smoothly between the turntable pivoting track and fixed tracks. Tracks are well aligned in height and rotation and space between them is inferior to 4.0 mm (5/32").
Make sure end stoppers of the Turntable are in place and tightened.
Inspect cords for wear. (Manual Model)
Test the Quick-release feature for proper functioning. (Automatic Model)

## Cleaning

To clean the KWIKtrak Turntable, wipe it down with a damp cloth using warm water and mild detergent.

Do not use phenol, chlorine or any other type of solvent that may damage the finish.

To ensure a better rolling surface for the trolley wheels, clean the inside of the track every 4 months. To do so, insert a damp cloth in the opening and slide it from one end of the track to the other.

# Troubleshooting

## Automatic Turntable № 700.11600

PROBLEMS	TO CHECK
The turntable does not move when the lift is brought on its track.	<ul style="list-style-type: none"><li>• Check if the lift is on.</li><li>• Make sure that there is contact between the contact blades of the lift and the contact plates of the contact box.</li><li>• Check if batteries are not completely discharged.</li><li>• Check if contact plates are clean and free of oxidation. If needed, wash them with a normal detergent.</li></ul>
The turntable does not pivot even if electrical feeding is OK.	<ul style="list-style-type: none"><li>• Make sure the Quick-release is disengaged.</li></ul>
Lift or trolley does not move smoothly into pivoting track.	<ul style="list-style-type: none"><li>• Gap between track <math>\leq 4.0</math> mm (5/32").</li><li>• Height difference between tracks.</li><li>• All structure fasteners are well tightened.</li></ul>

## Manual Turntable № 700-11850

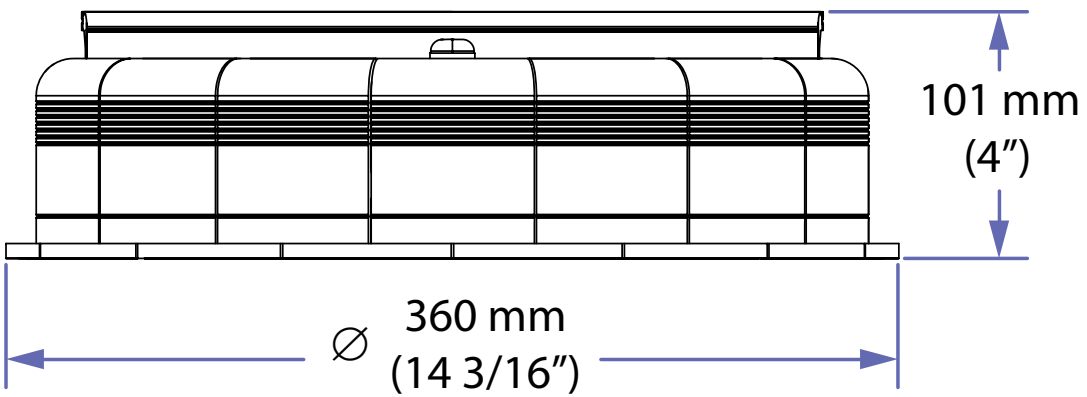
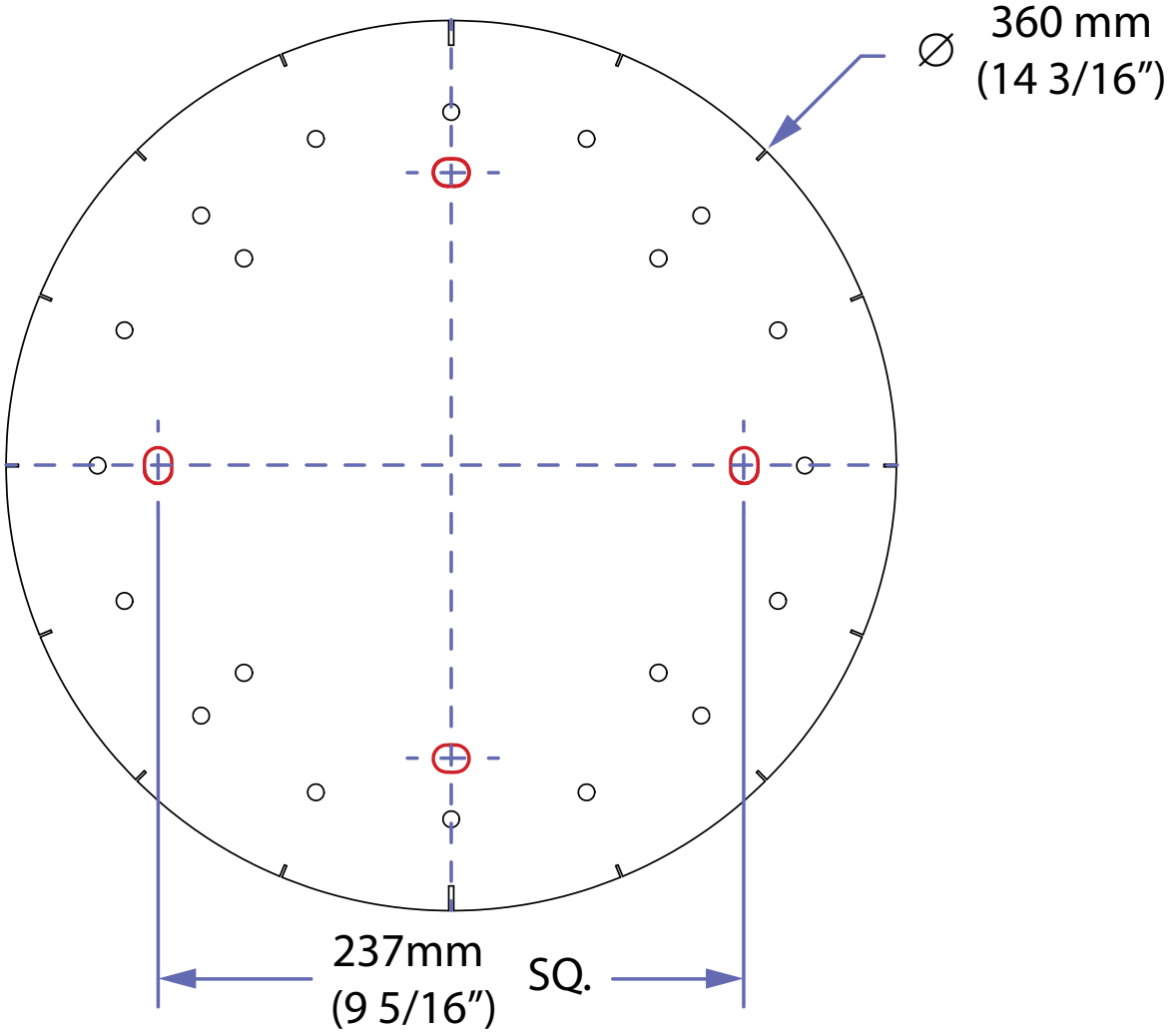
PROBLEMS	TO CHECK
The turntable does not move when the cord is pulled.	<ul style="list-style-type: none"><li>• Check if other cord is able to move the pivoting track.</li><li>• Make sure cord is not blocked by other components.</li></ul>
The Turntable does not lock the pivoting track.	<ul style="list-style-type: none"><li>• Check that the Activating Arm goes back in up position when cord is released.</li></ul>
The pivoting track does not align with the fixed track.	<ul style="list-style-type: none"><li>• Adjust the limit stopper accordingly.</li></ul>
Lift or trolley does not move smoothly into pivoting track.	<ul style="list-style-type: none"><li>• Gap between track <math>\leq 4.0</math> mm (5/32").</li><li>• Height difference between tracks.</li><li>• All structure fasteners are well tightened.</li></ul>



# Technical Specifications

PRODUCT INFORMATION		KWIKtrak Turntable
Models	700.11600 : Automatic - (rotation initiated by electric contact with the ceiling lift) 700-11850 : Manual - (rotation activated by pulling a cord)	
Weight, complete	14 kg (30,9 lb)	
Safe Working Load	272 kg (600 lb)	
Rotation speed	30°/s	
Minimum rotation	22,5°	
Maximum rotation	90°	
ELECTRICAL		
The KWIKtrak Turntable has been designed according to ISO 10535:2006 and IEC 60601-1:2005		
<b>WARNING:</b> Wireless communications equipment such as wireless home network devices, mobile phones, cordless telephones and their base stations, walkie-talkies can affect the Automatic KWIKtrak Turntable and should be kept at least 2.34 m away from it. Cables from potentially strong sources of electromagnetic fields should not be placed near the unit.		
Power Requirements (Model № 700.11600)	24 VDC, 1 A (Designed to be powered by the ceiling lift)	
Power Requirements (Model № 700-11850)	Not applicable	
IP rating (Model № 700.11600)	IPx2	
OPERATION AND STORAGE CONDITIONS		
Ambient temperature range	Operation: 10°C to 40°C (14 °F to 122 °F) Storage: -40°C to 70°C	
Relative humidity range	Operation: 30% to 75% non-condensing Storage: 10% to 100% non-condensing	
Atmospheric pressure range	Operation: 700 hPa to 1060 hPa Storage: 500 hPa to 1060 hPa	
<b>WARNING:</b> This equipment is not suitable in the presence of flammable anaesthetic mixtures with air or oxygen, or with nitrous oxide.		
RECYCLING		
Package	Cardboard recyclable	
The KWIKtrak Turntable	Separated and recycled, according to the European Directive 2002/96/EG (WEEE).	
The ArjoHuntleigh Automatic KWIKtrak Turntable meets the requirements of Electromagnetic Compatibility (EMC) as stated in clause 12.5 of Annex 1 of the Medical Devices Directive 93/42/EEC.		

# KWIKtrak Turntable Dimensions



001-11719-EN rev. 0

Fig.27

# Electromagnetic Compatibility

The following section solely applies to KWIKtrak Turntable model № 700.11600

## Electromagnetic Compliance

The KWIKtrak Turntable has been tested for compliance with current regulatory standards regarding its capacity to block EMI (electromagnetic interference) from external sources.

Nonetheless, some procedures can help reduce electromagnetic interferences:

- Use only ArjoHuntleigh cables and spare parts to avoid increased emissions or decreased immunity which can compromise the correct functioning of the equipment.
- Ensure that other devices in patient-monitoring and/or life-support areas comply to accepted emissions standards.
- Maximize the distance between electro-medical devices. High-powered devices may produce EMI that can affect the ceiling lift. Refer to separation distance table further on in this document.

For more information on how to manage the unit's RF electromagnetic environment, please consult the AMI TIR 18-1997 - Guidance on Electromagnetic Compatibility of Medical Devices for Clinical/Biomedical Engineers.

## Electromagnetic Emissions

### Guidance and Manufacturer's Declaration - Electromagnetic Emissions - For all Equipment and Systems

The KWIKtrak Turntable is intended for use in the electromagnetic environment indicated below. The customer or the user of the KWIKtrak Turntable should assure that it is used in such an environment.

<b>Emissions test</b>	<b>Compliance</b>	<b>Electromagnetic environment - guidance</b>
RF emissions CISPR 11	Group 1	The KWIKtrak Turntable is suitable for use in all establishments, including domestic establishments and those directly connected to the public low-voltage power supply network that supplies buildings used for domestic purposes.
RF emissions CISPR 11 IEC 61000-3-2	Class B	
Harmonic emissions	Not applicable	
Voltage fluctuations/flicker emissions IEC 61000-3-3	Not applicable	

## Electromagnetic Immunity


### Guidance and Manufacturer's Declaration - Electromagnetic Immunity - For all Equipment and Systems

The KWIKtrak Turntable is intended for use in electromagnetic environment specified below. The customer or the user of the KWIKtrak Turntable should assure that it is used in such an environment.

Immunity test	IEC 60601 test level	Compliance level	Electromagnetic environment - guidance
Electrostatic discharge (ESD) IEC 61000-4-2	±6 kV contact ±8 kV air	±6 kV contact ±8 kV air	Floors should be wood, concrete or ceramic tile. If floors are covered with synthetic material, the relative humidity should be at least 30%.
Electrical fast transient/burst IEC 61000-4-4	±2 kV for power supply lines ±1 kV for input/output lines	Not applicable	Mains power quality should be that of a typical commercial or hospital environment.
Surge IEC 61000-4-5	±1 kV differential mode ±2 kV for input/output	Not applicable	
Voltage dips, short interruptions and voltage variations on power supply input lines IEC 61000-4-11	<5% UT (>95% dip in UT) for 0.5 cycle 40% UT (60% dip in UT) for 5 cycles 70% UT (30% dip in UT) for 25 cycles <5% UT (>95% dip in UT) for 5 sec.	Not applicable	
Power frequency (50/60 Hz) magnetic field	3 A/m	3 A/m	Power frequency magnetic fields should be at levels characteristic of a typical location in a typical commercial or hospital environment.

NOTE: UT is the AC mains voltage prior to application of the test level.

(Continued)

Guidance and Manufacturer's Declaration - Electromagnetic Immunity - For Equipment and Systems that are Not Life-Supporting			
Immunity test	IEC 60601 test level	Compliance level	Electromagnetic environment - guidance
			Portable and mobile RF communications equipment should be used no closer to any part of the KWIKtrak Turntable, including cables, than the recommended separation distance calculated from the equation applicable to the frequency of the transmitter.
Conducted RF IEC 61000-4-6	3 Vrms 150 kHz to 80 MHz	Not applicable	Recommended separation distance $d = \left[ \frac{3.5}{3} \right] \sqrt{P}$ 150 KHz to 80 MHz
Radiated RF IEC 61000-4-3	3 V/m 80 MHz to 2.5 GHz	10 V/m	$d = \left[ \frac{3.5}{10} \right] \sqrt{P}$ 80 MHz to 800 MHz
		10 V/m	$d = \left[ \frac{7}{10} \right] \sqrt{P}$ 800 MHz to 2.5 GHz
			where P is the maximum output power rating of the transmitter in watts (W) according to the transmitter manufacturer and d is the recommended separation distance in meters. Field strengths from fixed RF transmitters, as determined by an electromagnetic site survey, (a) should be less than the compliance level in each frequency range. (b) Interference may occur in the vicinity of equipment marked with the following symbol: 
NOTE 1: At 80 MHz and 800 MHz, the higher frequency range applies.			
NOTE 2: These guidelines may not apply in all situations. Electromagnetic propagation is affected by absorption and reflection from structures, objects and people.			
(a) Field strengths from fixed transmitters, such as base stations for radio (cellular/cordless) telephones and land mobile radios, amateur radio, AM and FM radio broadcast and TV broadcast cannot be predicted theoretically with accuracy. To assess the electromagnetic environment due to fixed RF transmitters, an electromagnetic site survey should be considered. If the measured field strength in the location in which the KWIKtrak Turntable is used exceeds the applicable RF compliance level above, the KWIKtrak Turntable should be observed to verify normal operation. If abnormal performance is observed, additional measures may be necessary, such as reorienting or relocating the KWIKtrak Turntable.			
(b) Over the frequency range 150 kHz to 80 MHz, field strengths should be less than 3 V/m.			

(Continued)

**Recommended Separation Distance Between -  
Portable and Mobile RF Communications Equipment and the KWIKtrak Turntable for  
Equipment and Systems that are not Life-Supporting**

Recommended separation distances between portable and mobile RF communications equipment and the KWIKtrak Turntable.

The KWIKtrak Turntable is intended for use in electromagnetic environment in which radiated RF disturbances are controlled. The customer or the user of the KWIKtrak Turntable can help prevent electromagnetic interference by maintaining a minimum distance between portable and mobile RF communication equipment (transmitters) and the KWIKtrak Turntable as recommended below, according to the maximum output power of the communications equipment.

Rated maximum output power of transmitter <b>W</b>	Separation distances according to frequency of transmitter m		
	150 KHz to 80 MHz	80 MHz to 800 MHz	800 MHz to 2.5 GHz
	$d = \left[ \frac{3.5}{3} \right] \sqrt{P}$	$d = \left[ \frac{3.5}{10} \right] \sqrt{P}$	$d = \left[ \frac{7}{10} \right] \sqrt{P}$
0.01	0.12	0.12	0.24
0.1	0.37	0.37	0.74
1	1.17	1.17	2.34
10	3.69	3.69	7.38
100	11.67	11.67	23.34

For transmitters rated at a maximum output power not listed above, the recommended separation distance *d* in metres (m) can be estimated using the equation applicable to the frequency of the transmitter, where *P* is the maximum output power rating of the transmitter in watts (W) according to the transmitter manufacturer.

NOTE 1: At 80 MHz and 800 MHz, the separation distance for the higher frequency range applies.

NOTE 2: These guidelines may not apply in all situations. Electromagnetic propagation is affected by absorption and reflection from structures, objects and people.

**AUSTRALIA**

ArjoHuntleigh Pty Ltd  
78, Forsyth street  
O'Connor  
AU-6163 Western Australia  
Tel: +61 89337 4111  
Free: +1 800 072 040  
Fax: + 61 89337 9077

**BELGIQUE / BELGIË**

ArjoHuntleigh NV/SA  
Evenbroekveld 16  
B-9420 ERPE-MERE  
Tél/Tel: +32 (0) 53 60 73 80  
Fax: +32 (0) 53 60 73 81  
E-mail: info@arjohuntleigh.be

**CANADA**

ArjoHuntleigh  
90 Matheson Boulevard West  
Suite 300  
MISSISSAUGA, ON, L5R 3R3  
Tel/Tél: +1 905 238 7880  
Free: +1 800 665 4831 Institutional  
Free: +1 800 868 0441 Home Care  
Fax: +1 905 238 7881  
E-mail: info.canada@arjohuntleigh.com

**ČESKÁ REPUBLIKA**

ArjoHuntleigh s.r.o.  
Hlinky 118  
CZ- 603 00 BRNO  
Tel: +420 549 254 252  
Fax: +420 541 213 550

**DANMARK**

ArjoHuntleigh A/S  
Vassingerødvej 52  
DK-3540 LYNGE  
Tel: +45 49 13 84 86  
Fax: +45 49 13 84 87  
E-mail: info.dk@arjohuntleigh.com

**DEUTSCHLAND**

ArjoHuntleigh GmbH  
Peter-Sander-Strasse 10  
D-55252 MAINZ-KASTEL  
Tel: +49 (0) 6134 186 0  
Fax: +49 (0) 6134 186 160  
E-mail: info-de@arjohuntleigh.com

**ΕΛΛΑΔΑ**

C. Psimitis Co Ltd  
Dimitriou Andr. 59  
GR-16121 KAISARIANI ATTIKIS  
Τηλ: 21 0724 36 68  
Φάξ: 21 0721 55 53

**ESPAÑA**

ArjoHuntleigh Ibérica S.L.  
Ctra. de Rubí, 88 1ª planta - A1  
08173 Sant Cugat del Vallés  
ES- BARCELONA 08173  
Tel: +34 93 583 11 20  
Fax: +34 93 583 11 22  
E-mail: info.es@arjohuntleigh.com

**FAR EAST**

ARJO Far East Limited  
Unit 3A, 4/F., block B Hoi Luen  
Industrial Centre  
55 Hoi Yuen Road,  
Kwun Tong, Kowloon  
HONG KONG  
Tel: +852 2508 9553  
Fax: +852 2508 1416

**FRANCE**

ArjoHuntleigh SAS  
2 Avenue Alcide de Gasperi  
CS 70133  
59436 RONCQ CEDEX  
Tél: +33 (0) 3 20 28 13 13  
Fax: +33 (0) 3 20 28 13 14  
E-mail : info.france@arjohuntleigh.com

**INTERNATIONAL**

ArjoHuntleigh International Ltd.  
ArjoHuntleigh House  
Houghton Hall Park  
Houghton Regis  
UK-DUNSTABLE LU5 5XF  
Tel: +44 (0) 1582 745 800  
Fax: +44 (0) 1582 745 866  
E-mail:  
international@ArjoHuntleigh.com

**ITALIA**

ArjoHuntleigh S.p.A.  
Via di Tor Vergata 432  
00133 ROMA - ITALIA  
Tel: +39 (0) 6 87426211  
Fax: +39 (0) 6 87426222  
E-mail: Italy.promo@arjohuntleigh.com

**NEDERLAND**

ArjoHuntleigh Nederland BV  
Biezenwei 21  
4004 MB TIEL  
Postbus 6116  
4000 HC TIEL  
Tel: +31 (0) 344 64 08 00  
Fax: +31 (0) 344 64 08 85  
E-mail: info.nl@arjohuntleigh.com

**NEW ZEALAND**

ArjoHuntleigh Ltd  
41 Vestey Drive  
Mount Wellington  
AUCKLAND 1060  
Tel: +64 (0) 9 573 5344  
Free Call: 0800 000 151  
Fax: +64 (0) 9 573 5384  
E-mail: nz.info@ArjoHuntleigh.com

**NORGE**

ArjoHuntleigh Norway AS  
Ryenstubben 2  
NO-0679 OSLO  
Tel: +47 22 08 00 50  
Faks: +47 22 08 00 51  
E-mail: no.kundeservice@arjohuntleigh.com

**POLSKA**

ArjoHuntleigh Polska Sp. z o.o.  
ul. Ks Piotra Wawrzyniaka 2  
PL 62-052 KOMORNIKI (Poznan)  
Tel: +48 61 662 15 50  
Fax: +48 61 662 15 90  
E-mail: arjo@arjohuntleigh.com

**PORTUGAL**

ArjoHuntleigh em Portugal:  
MAQUET Portugal, Lda. (Distribuidor Exclusivo)  
Rua Poeta Bocage n.º 2 - 2G  
1600-233 Lisboa, Portugal  
Tel: +351 214 189 815  
Fax: +351 214 177 413  
E-mail: Portugal@arjohuntleigh.com

**SUISSE / SCHWEIZ**

ArjoHuntleigh AG  
Fabrikstrasse 8  
Postfach  
4614 Hägendorf,  
Tél/Tel: +41 (0) 61 337 97 77  
Fax: +41 (0) 61 311 97 42

**SUOMI**

ArjoHuntleigh OY  
Vanha Porvoontie 229  
FI-01380 VANTAA  
Puh: +358 9 4730 4320  
Faksi: +358 9 4730 4999

**SVERIGE**

ARJO Scandinavia AB  
Verkstadsvägen 5  
Box 61  
SE-241 21 ESLÖV  
Tel: +46 (0) 10-335 45 00  
Fax: +46 (0) 413-138 76  
E-mail: kundservice@arjohuntleigh.com

**UNITED KINGDOM**

ArjoHuntleigh UK  
ArjoHuntleigh House  
Houghton Hall Park  
Houghton Regis  
UK-DUNSTABLE LU5 5XF  
Tel: +44 (0) 1582 745 700  
Fax: +44 (0) 1582 745 745  
E-mail:  
sales.admin@ArjoHuntleigh.com

**USA**

ArjoHuntleigh Inc.  
2349 W Lake Street Suite 250  
Addison, IL 60101  
Tel: +1 630 307 2756  
Free: +1 800 323 1245 Institutional  
Free: +1 800 868 0441 Home Care  
Fax: +1 630 307 6195  
E-mail: us.info@ArjoHuntleigh.com

**ÖSTERREICH**

ArjoHuntleigh GmbH  
Dörrstrasse 85  
AT-6020 INNSBRUCK  
Tel: +43 (0) 512 204 160 0  
Fax: +43 (0) 512 204 160 75

# ARJOHUNTLEIGH

GETINGE GROUP

**GETINGE GROUP** is a leading global provider of products and systems that contribute to quality enhancement and cost efficiency within healthcare and life sciences. We operate under the three brands of **ArjoHuntleigh**, **GETINGE** and **MAQUET**. **ArjoHuntleigh** focuses on patient mobility and wound management solutions. **GETINGE** provides solutions for infection control within healthcare and contamination prevention within life sciences. **MAQUET** specializes in solutions, therapies and products for surgical interventions and intensive care.

[www.ArjoHuntleigh.com](http://www.ArjoHuntleigh.com)

---

 **ArjoHuntleigh AB**  
Verkstadsvägen 5  
241 38 Eslöv  
SWEDEN