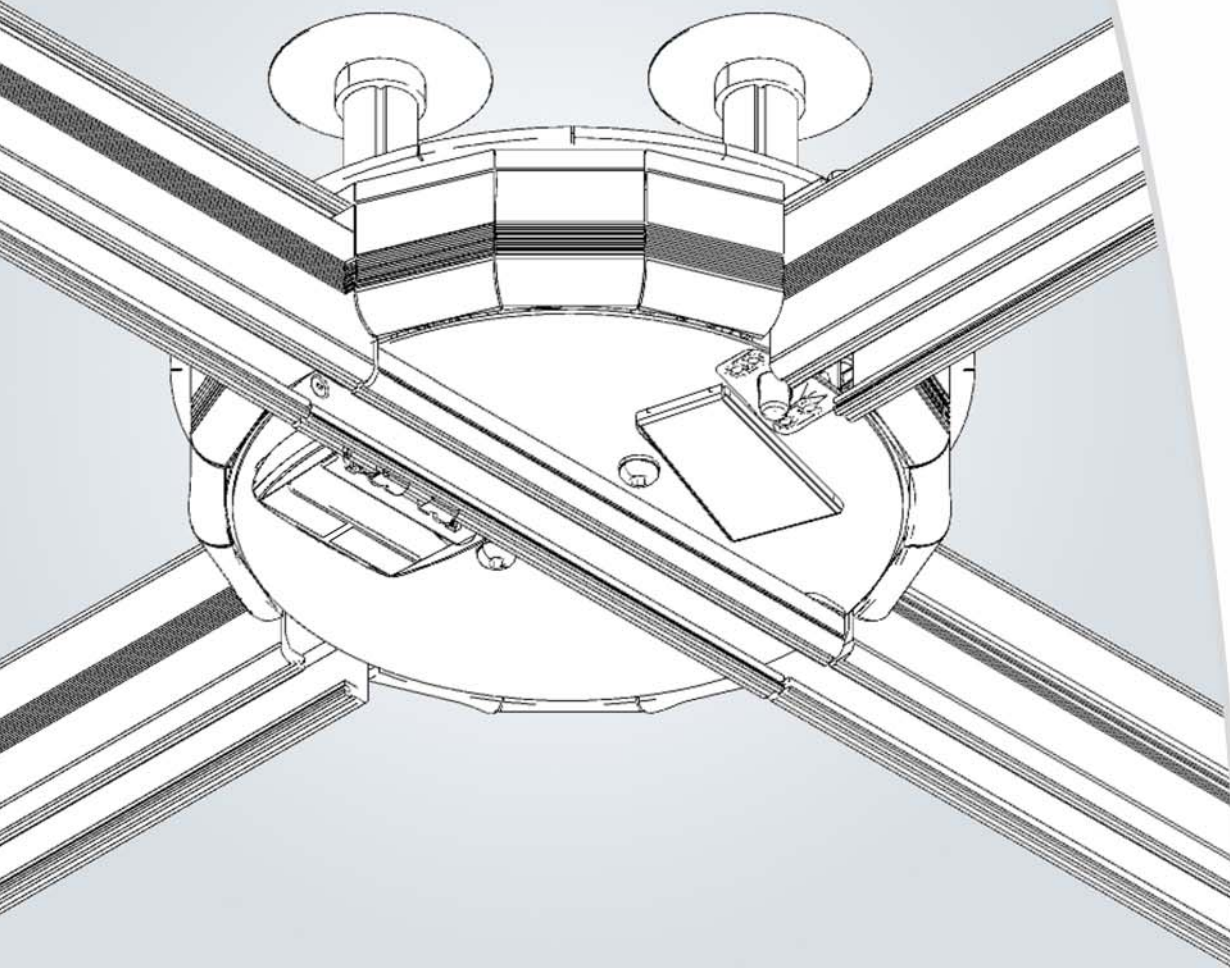


KWIKtrak Turntable

Instructions for Use



CE

Design Policy and Copyright

® and ™ are trademarks belonging to the ArjoHuntleigh group of companies.

© ArjoHuntleigh 2013

As our policy is one of continuous improvement, we reserve the right to modify designs without prior notice.

The content of this publication may not be copied either whole or in part without the consent of ArjoHuntleigh.

Table of Contents

- General Information 4**
 - Foreword 4
 - Thank you for Buying an ArjoHuntleigh Product! 4
 - Please Read this Manual Carefully! 4
 - Service and Support 4
 - Manufacturer Information 4
 - Definitions Used in this Manual 4
 - Intended Use 4
 - Operational Life 5
 - Product Identification 5
 - Package Contents 5
 - How to Use this Manual 5
- Safety Instructions 7**
 - General Instructions 7
 - Important Safety Instructions 7
 - Safe Working Load (SWL) 7
 - Shock Prevention 7
 - Environmental Advice 7
 - Homecare Environmental Considerations 7
- Product Description/Labels 8**
 - Automatic KWIKtrak Turntable 8
 - Manual KWIKtrak Turntable 9
- How to Use the KWIKtrak Turntable 10**
 - Automatic KWIKtrak Turntable 10
 - Manual KWIKtrak Turntable 10
- Care and Maintenance 11**
 - Preventive Maintenance Schedule 11
 - User Inspections 11
 - Annual Inspection by an Authorized Technician 11
 - Cleaning 11
- Troubleshooting 12**
 - Automatic KWIKtrak Turntable 12
 - Manual KWIKtrak Turntable 12
- Technical Specifications 13**
 - KWIKtrak Turntable Dimensions 14
- Electromagnetic Compliance 15**
 - Electromagnetic Compliance 15
 - Electromagnetic Emissions 15
 - Electromagnetic Immunity 16

General Information

Foreword

Thank you for Buying an ArjoHuntleigh Product!

Your KWIKtrak Turntable is part of a series of quality products designed specially for home care, nursing homes and other health care uses.

We are dedicated to serving your needs and providing the best products available along with training that will bring your staff maximum benefit from every ArjoHuntleigh product.


Please Read this Manual Carefully!

The information in this manual is crucial to the proper use and maintenance of the KWIKtrak Turntable. It will help protect your product as well as ensure that it performs to your satisfaction.

The information in this manual is important for your safety and must be read and understood to prevent injuries.

WARNING: Injuries can be caused by the use of inadequate parts. Use only parts designated by ArjoHuntleigh on your KWIKtrak Turntable.

WARNING: Unauthorized modifications on any ArjoHuntleigh product may affect its safety. ArjoHuntleigh will not be held responsible for any accidents, incidents or deficiencies of performance that occur as a result of any unauthorized modification to its products.

Tested according to standards by:  c us

Service and Support

A service routine has to be done on your KWIKtrak Turntable by ArjoHuntleigh trained service staff. This will ensure it remains safe and functional. See "Care and Maintenance" section.

Please contact your local ArjoHuntleigh agent if you need more information, want to report an unexpected event or notice any changes in the performance of your turntable, or if you need any help in setting up, using or maintaining your KWIKtrak Turntable.

The agent can offer support and service programs to maximize the long-term safety, reliability and value of the product.

Contact your local ArjoHuntleigh agent for replacement parts.

Manufacturer Information

This product has been manufactured by:
ArjoHuntleigh AB
Verkstadsvägen 5
241 38 Eslöv
SWEDEN

☎: +46 (0) 10-335 4500

☎: +46 (0) 413-138 76

🌐: www.ArjoHuntleigh.com

Definitions Used in this Manual

WARNING:

Means: Failure to understand and follow this instruction may result in injury to yourself or others.

CAUTION:

Means: Failure to follow this instruction may cause damage to the product(s).

NOTE:

Means: This is important information regarding the correct use of the product.

Intended Use

The KWIKtrak Turntable, part of the KWIKtrak track system, is designed to allow the ceiling lift to pass from a track path to another.

WARNING: This product is not intended to be operated by the patient. In the unlikely case of a failure, the patient might get stuck in the unit.

The product must only be used for the reasons stated above. It must be installed by ArjoHuntleigh authorized staff as per the local codes.

Operational Life

The turntable is designed and tested for a useful life of seven (7) years or 10,000 transfers, whichever comes first.

WARNING: ArjoHuntleigh cannot ensure full safety for an accessory of which the life span has been exceeded. Wear may cause the breakage of a part and lead to a patient fall.

The useful life of this product corresponds directly to the safe operating time period before a complete inspection is needed.

Aging of the product, frequency of use (number of rotations/days) and maintenance frequency are factors that have an impact on the turntable's life span.

A rotation is defined as the rotation of the turntable to the desired track path and its rotation to the initial track path.

Product Identification

The unit's identification numbers (specification, model, serial number) appear on a silver name plate fixed inside the track of the KWIKtrak Turntable.

How to Use this Manual

WARNING: Do not attempt to use this product without fully understanding the information contained in this manual. A misuse of this unit may lead to a patient fall and to injuries.

Keep this manual with the unit and refer to it as needed.

General Information






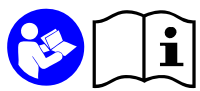




Symbols	Key to Symbols
	It points out the date of manufacturer's name and address. May also point out manufacturing date.
	It means that the product complies with the medical device directive 93/42/EEC.
	It is accompanied by the manufacturer's catalogue number.
	It is accompanied by the manufacturer's serial number.
	It points out "separate collection" for all batteries and accumulators as per the WEEE Directive.
	It refers to the <i>Instructions for Use</i> .
	It points out the turntable is on automatic rotation mode.
	It points out the turntable is on manual rotation mode.
	It points out a trapping zone or pinching point.
SWL	It represents the maximum load the turntable is rated for safe operation.
IP_{N₁N₂}	Degree of protection provided by enclosure. N ₁ : Ingress of particles, N ₂ : Ingress of water.
	Direct current.

Fig. 1

Safety Instructions

General Instructions

Important Safety Instructions

WARNING: All track ends must have an end stopper in place and secured. They are part of safety features. A missing end stopper might lead to a patient fall.

WARNING: There must be an end stopper in each red zone labelled "NO RAIL". They are part of safety features. A missing end stopper might lead to a patient fall.

CAUTION: Keep all components of the turntable clean and dry.

NOTE: The Automatic KWIKtrak Turntable is designed to be used with ceiling lift series #910XXXX, #911XXXX, #913XXXX, #923XXXX, #LDXXXX and MSX1X-XX-XX only.

NOTE: The Manual KWIKtrak Turntable is designed to be used with portable ceiling lift and ceiling lifts listed above (see the previous note box regarding the Automatic KWIKtrak Turntable).

WARNING: ArjoHuntleigh warns of possible strangulation risks related to the pull cords and advises to take necessary precautions to prevent these.

Always ensure that:

- The unit is used by trained staff.
- All controls and safety features are used only according to the rules specified in this manual. Never attempt to force a control or button on the KWIKtrak Turntable.
- Any precautionary or instruction labels are read and those that cannot be easily read are replaced.
- The daily maintenance is carried out before using the unit.

Safe Working Load (SWL)

WARNING: The KWIKtrak Turntable is intended to be used with ceiling lifts which the SWL does not exceed 272 kg (600 lb). Do not attempt to use the unit with more than the lowest weight limit indicated on the following:

- the track system;
- the turntable unit
- the "maximum load" label on the lift;
- the sling.

Overloading any of these elements may lead to a patient fall and to injuries.

Shock Prevention

Do not splash or expose the device to water or moisture.

Do not attempt to expose, service or repair the KWIKtrak Turntable.

If the unit is defective, contact your local ArjoHuntleigh agent.

Environmental Advice

When disposing of any items associated with the product, contact the appropriate local authorities for information.

Homecare Environmental Considerations

WARNING: This product contains small parts that might present a choking hazard for children if swallowed or inhaled.

WARNING: The KWIKtrak Turntable is not intended to be operated by children. Serious injuries could occur.

NOTE: Rigorous cleaning actions should be done when the turntable is exposed to an animal. Pet hair trapped inside the device can reduce the product performance.

Product Description/Labels

Automatic KWIKtrak Turntable

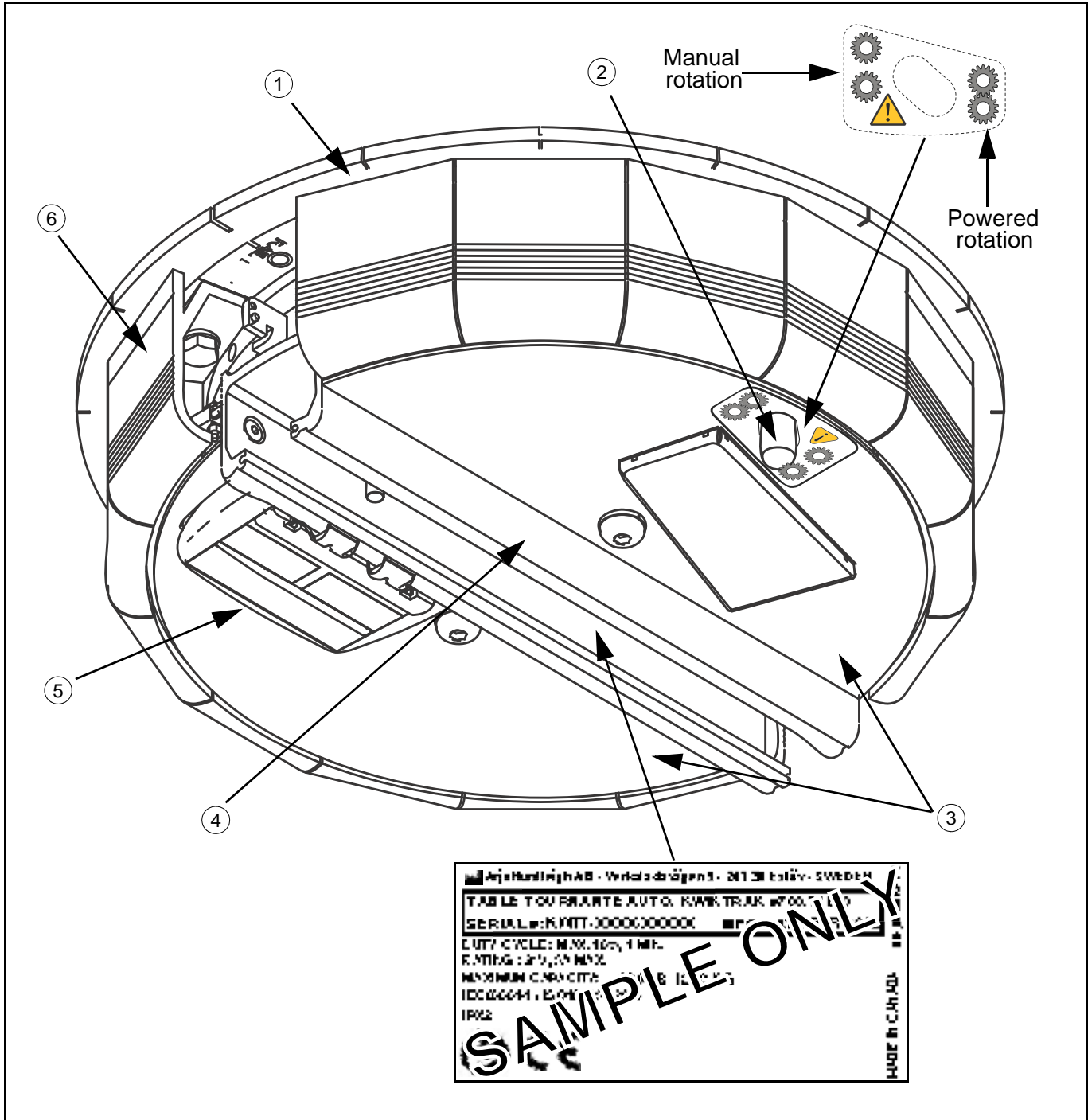


Fig. 2

Legend

- 1) Automatic KWIKtrak Turntable
- 2) Quick-release
- 3) Covers
- 4) Pivoting track
- 5) Activation Station
- 6) End stopper

Product Description/Labels

Manual KWIKtrak Turntable

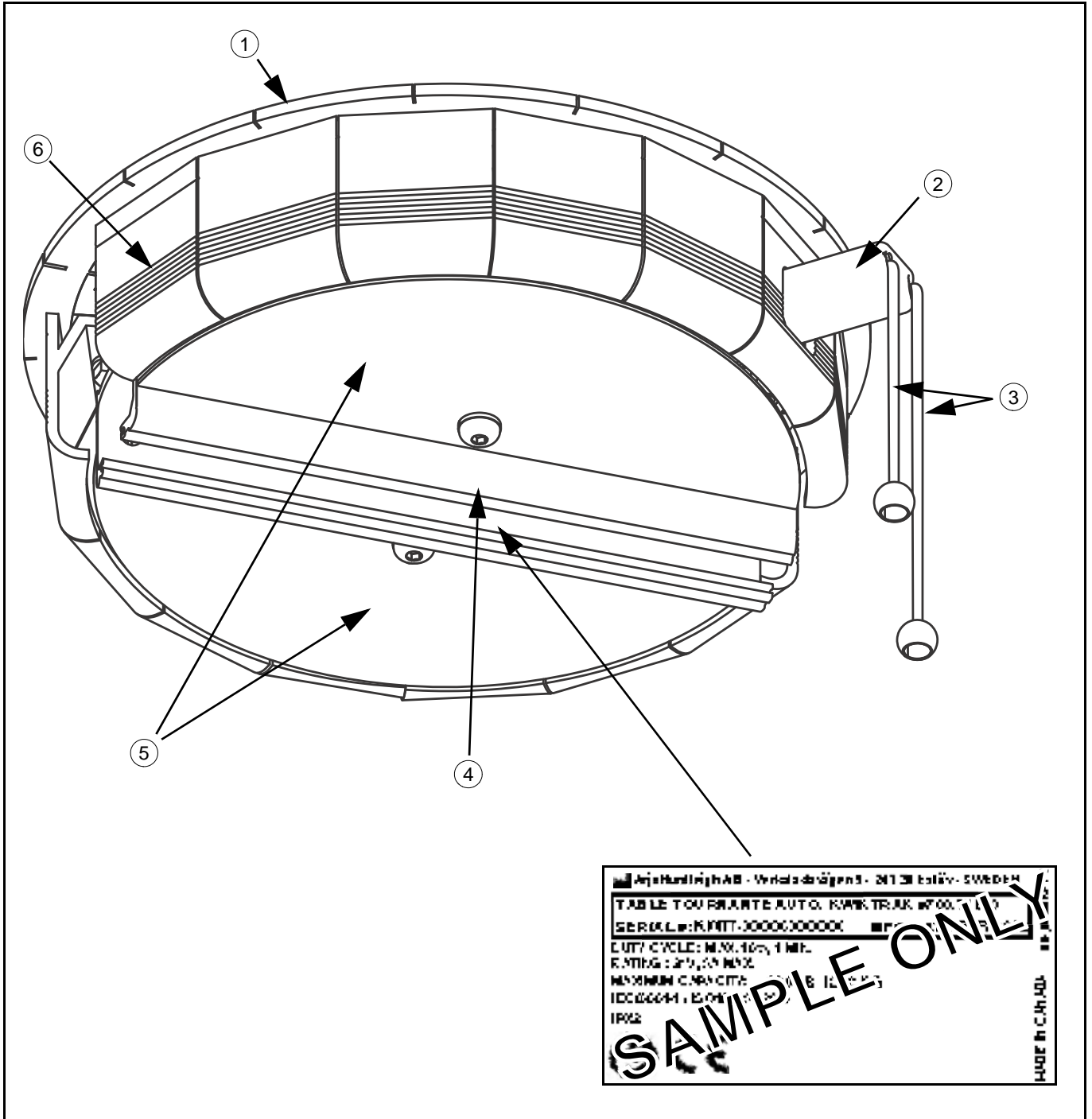


Fig. 3

Legend

- | | |
|------------------------------|-------------------|
| 1) Manual KWIKtrak Turntable | 4) Pivoting track |
| 2) Activation arm | 5) Covers |
| 3) Activation pull cord | 6) End stopper |

How to Use the KWIKtrak Turntable

Automatic KWIKtrak Turntable

Operating the Turntable

- 1) Make sure the lift is powered.
- 2) Move the lift into the turntable and release the button on the hand control. Wait for the beep sounds. The turntable will rotate to the next position.
- 3) Move the lift out of the turntable along the new path.
- 4) If the turntable fails to operate automatically or in an emergency situation, manually rotate the turntable after sliding and holding the quick-release button in the open position (see Fig. 4). Take care for not getting injured.



Fig. 4

Manual KWIKtrak Turntable

Operating The Turntable

- 1) Move the lift into the center of the turntable.

CAUTION: Pay attention to pull cords, when moving the ceiling lift onto or out of the turntable, to make sure they do not get entangled.

- 2) Make sure that the lift is centered with the turntable, then pull the Turntable's shortest cord until the pivoting track is aligned with the next position.

Note: The mechanism may block if the ceiling lift is not centered under the Turntable before pulling the cords.

- 3) Move the lift out of the turntable along the new path.
- 4) In case of a malfunction, pull down the activation arm, to unlock the pivoting track, and rotate the track manually. Take care for not getting injured.

Adjusting Pull Cord's Length

If the pull cords are too long, they may be shortened as follows.

- 1) Turn the mechanism halfway so that both cords are of equal length.
- 2) Cut both cords to equal length making sure that you leave at least 20 cm (8 in) on each cord.
- 3) Insert one knob on each cord and secure it with a double knot.

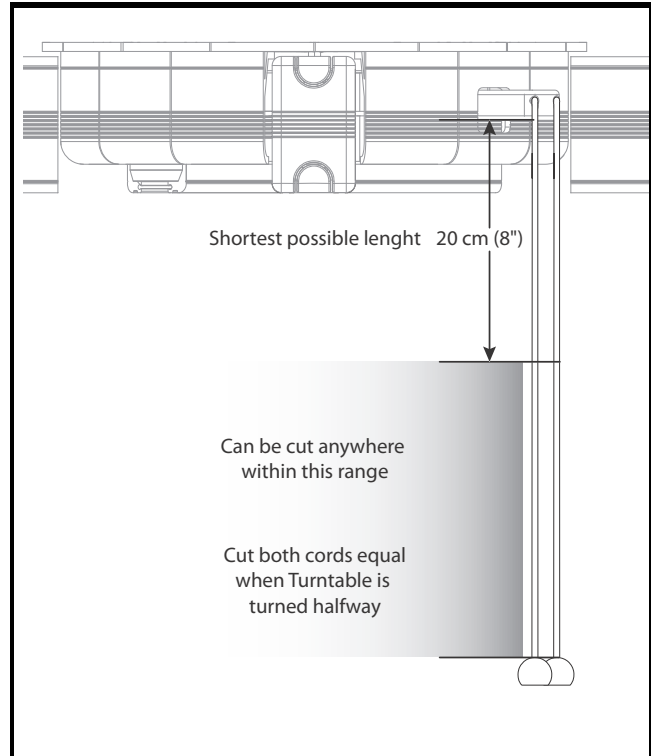


Fig. 5

Care and Maintenance

Preventive Maintenance Schedule

The product is subjected to wear and tear, and the following maintenance instructions must be acted upon when specified to ensure that the unit remains within its original manufacturing specifications. Care and maintenance must be carried out in accordance with the preventive maintenance schedule below.

WARNING: The maintenance described in the following checklist is the minimum that the manufacturer recommends. In some cases more frequent inspections should be carried out. Continuing to use this product without conducting regular inspections or when a fault is found will seriously compromise the safety of the user/patient. Service and preventive maintenance can be arranged with the manufacturer. Preventive maintenance specified in this manual can prevent accidents and reduce repair costs.

WARNING: Safety related maintenance and authorized service must be carried out by qualified staff, fully trained in servicing procedures by ArjoHuntleigh, and equipped with correct tools and proper documents including Parts List and Service Manual. Failure to meet these requirements could result in personal injuries and/or unsafe equipment.

User Inspections

Inspections for the KWIKtrak Turntable	Frequency		
	Initially	Before every use	Every month
Inspect for evidence of external damage or missing parts.	X	X	
Make sure that the activation stations are clean.			X
Make sure the lift moves smoothly between the turntable track and fixed tracks (tracks are well aligned).			X
Make sure end stoppers of the turntable are in place and tightened.		X	
Clean the contact plates of the contact box with a damp cloth.			X
Inspect pull cords for wear.			X

Annual Inspection by an Authorized Technician

The KWIKtrak Turntable must be inspected by a qualified ArjoHuntleigh technician on an annual basis to ensure the proper function of its components, as well as the safety of the patients and caregivers that use the product. Please contact your local agent to make arrangements.

Cleaning

To clean the KWIKtrak Turntable, wipe it down with a damp cloth using warm water and mild detergent.

CAUTION: Do not use phenol, chlorine or any other type of solvent that may damage the finish.

To ensure a better rolling surface for the trolley wheels, clean the inside of the track every 4 months. To do so, insert a damp cloth in the opening and slide it from one end of the track to the other.

Troubleshooting

Automatic KWIKtrak Turntable

PROBLEMS	TO CHECK
The turntable does not move when the lift is brought on its track.	<ul style="list-style-type: none"> • Check if the lift is on. • Make sure that there is contact between the contact blades of the lift and the contact plates of the contact box. • Check if batteries are not completely discharged. • Check if contact plates are clean and free of oxidation. If needed, wash them with a normal detergent.
The turntable does not pivot even if electrical feeding is OK.	<ul style="list-style-type: none"> • Make sure the Quick-release knob is in “Powered Rotation” position. • If the turntable does not work as intended after checking the previous point, immediately contact your ArjoHuntleigh agent.
The turntable stops moving between track and beeps.	<p>The turntable is in over current condition.</p> <ul style="list-style-type: none"> • Verify if an object is restraining the turntable from rotating. • If no object is blocking the rotation and the turntable does not recover by itself, use the Quick-release to complete patient transfer and call your ArjoHuntleigh agent.

Manual KWIKtrak Turntable

PROBLEMS	TO CHECK
The turntable does not move when the cord is pulled.	<ul style="list-style-type: none"> • Check if the turntable moves when the other cord is pulled. • Check that the lift is centered onto the pivoting track, and call your ArjoHuntleigh agent.
The central pivoting track does not lock in position.	<ul style="list-style-type: none"> • Verify the position of the activation arm, which must be in the “up” position. • If the activation arm does not move up in position, call your ArjoHuntleigh agent.

Technical Specifications

PRODUCT INFORMATION *KWIKtrak Turntable*

Models	700.11600 - Automatic (rotation initiated by electric contact with the ceiling lift) 700-11850 - Manual (manual activation cord)
Weight, complete	14 kg (30.9 lb)
Safe Working Load	272 kg (600 lb)
Rotation speed	30°/s
Minimum rotation	22.5°
Maximum rotation	90°
Operating Force of Control	700-11850: < 89 N (20 lb)

ELECTRICAL

The KWIKtrak Turntable has been designed according to ISO 10535: 2006 and IEC 60601-1.

WARNING: Wireless communications equipment such as wireless home network devices, mobile phones, cordless telephones and their base stations, walkie-talkies, etc., can affect the Automatic KWIKtrak Turntable and should be kept at least 2.34 m away from it. Cables from potentially strong sources of electromagnetic fields should not be placed near the unit.

Power Requirements	24 VDC, 1 A
(automatic model)	Designed to be powered by the lift
IP rating	700.11600: IPx2

OPERATION AND STORAGE CONDITIONS

Ambient temperature range	Operation: 5 °C to 40 °C (41 °F to 104 °F) Storage: -25 °C to 70°C (-13 °F to 158 °F)
Relative humidity range	Operation: 15 % to 93 %, non condensing Storage: Up to 93 %, non condensing
Atmospheric pressure range	Operation: 700 hPa to 1060 hPa (2000 m max) Storage: 500 hPa to 1060 hPa

WARNING: This product (automatic model) is not suitable in the presence of flammable anesthetic mixtures with air or oxygen, or with nitrous oxide. Using the KWIKtrak Turntable in this environment might lead to an explosion. It might create some spark internally and ignite the gaz.

RECYCLING

Package	Cardboard recyclable
The KWIKtrak Turntable	Separated and recycled, according to the European Directive 2002/96/EG (WEEE).

The ArjoHuntleigh Automatic KWIKtrak Turntable meets the requirements of Electromagnetic Compatibility (EMC) as stated in clause 12.5 of Annex 1 of the Medical Devices Directive 93/42/EEC.

Technical Specifications

KWIKtrak Turntable Dimensions

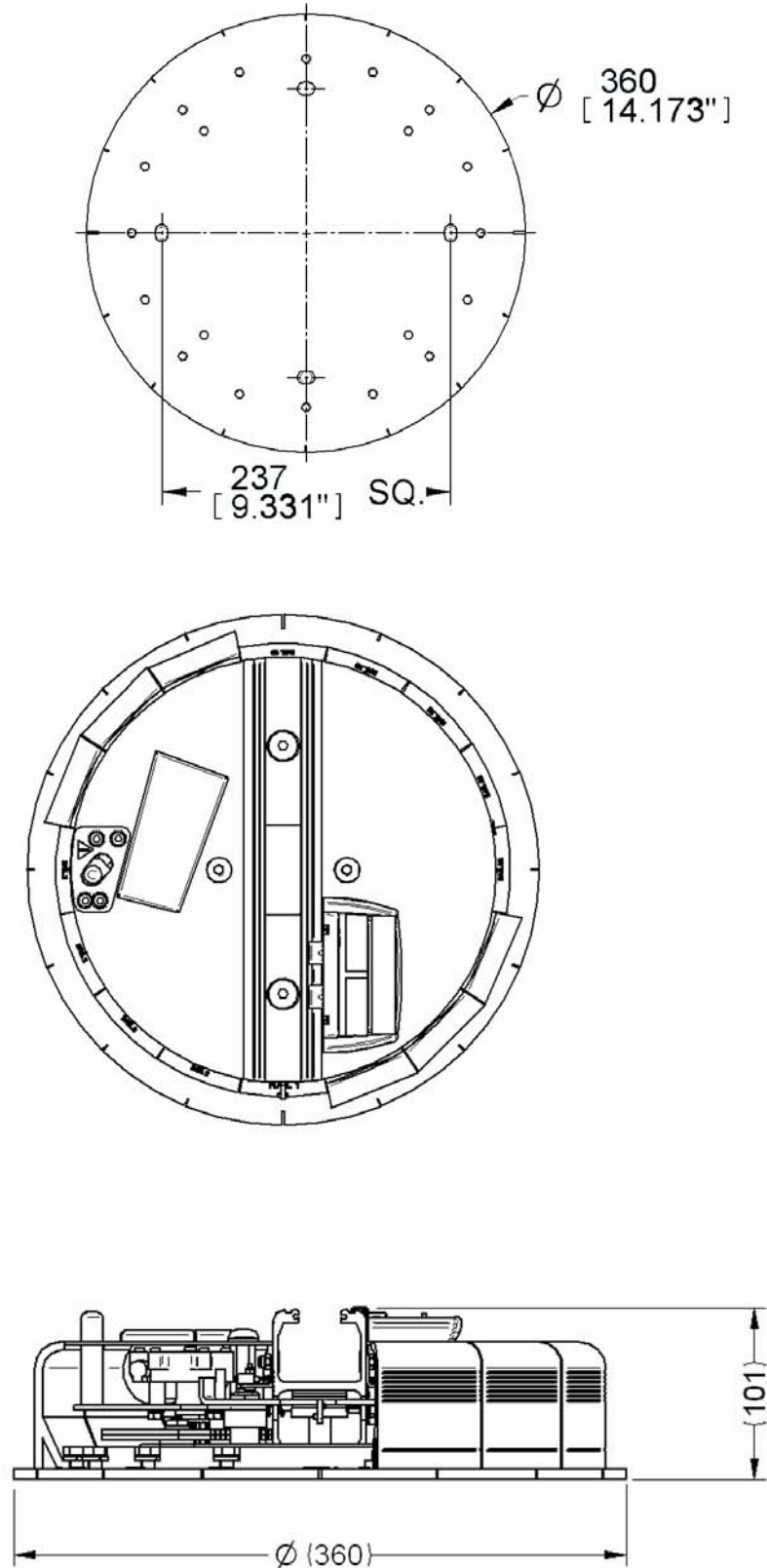


Fig. 6

Electromagnetic Compliance

Electromagnetic Compliance

The Automatic KWIKtrak Turntable has been tested for compliance with current regulatory standards regarding its capacity to block EMI (electromagnetic interference) from external sources.

Nonetheless, some procedures can help reduce electromagnetic interferences:

- Use only ArjoHuntleigh cables and spare parts to avoid increased emissions or decreased immunity which can compromise the correct functioning of the equipment.
- Ensure that other devices in patient-monitoring and/or life-support areas comply to accepted emissions standards.
- Maximize the distance between electro-medical devices. High-powered devices may produce EMI that can affect the ceiling lift. Refer to separation distance table further on in this document.

For more information on how to manage the unit's RF electromagnetic environment, please consult the *AMI TIR 18-1997 - Guidance on Electromagnetic Compatibility of Medical Devices for Clinical/Biomedical Engineers.B*

Electromagnetic Emissions

Guidance and Manufacturer's Declaration - Electromagnetic Emissions - For all Equipment and Systems

The KWIKtrak Turntable is intended for use in the electromagnetic environment indicated below. The customer or the user of the KWIKtrak Turntable should assure that it is used in such an environment.

Emissions test	Compliance	Electromagnetic environment - guidance
RF emissions CISPR 11	Group 1	The KWIKtrak Turntable uses RF energy only for its internal function. Therefore, its RF emissions are very low and are not likely to cause any interference in nearby electronic equipment.
RF emissions ISPR 11	Class B	The KWIKtrak Turntable is suitable for use in all establishments, including domestic establishments and those directly connected to the public low-voltage power supply network that supplies buildings used for domestic reasons.
Harmonic emissions	Not applicable	
Voltage fluctuations/flicker emissions IEC 61000-3-3	Not applicable	


Electromagnetic Compliance

Electromagnetic Immunity

Guidance and Manufacturer's Declaration - Electromagnetic Immunity - For all Equipment and Systems			
The KWIKtrak Turntable is intended for use in electromagnetic environment specified below. The customer or the user of the KWIKtrak Turntable should assure that it is used in such an environment.			
Immunity test	IEC 60601 test level	Compliance level	Electromagnetic environment - guidance
Electrostatic discharge (ESD) IEC 61000-4-2	±6 kV contact ±8 kV air	±6 kV contact ±8 kV air	Floors should be wood, concrete or ceramic tile. If floors are covered with synthetic material, the relative humidity should be at least 30%.
Electrical fast transient/burst IEC 61000-4-4	±2 kV for power supply lines ±1 kV for input/output lines	Not applicable	Mains power quality should be that of a typical commercial or hospital environment.
Surge IEC 61000-4-5	±1 kV differential mode ±2 kV for input/output	Not applicable	Mains power quality should be that of a typical commercial or hospital environment.
Voltage dips, short interruptions and voltage variations on power supply input lines IEC 61000-4-11	<5% <i>UT</i> (>95% dip in <i>UT</i>) for 0.5 cycle 40% <i>UT</i> (60% dip in <i>UT</i>) for 5 cycles 70% <i>UT</i> (30% dip in <i>UT</i>) for 25 cycles <5% <i>UT</i> (>95% dip in <i>UT</i>) for 5 sec.	Not applicable	Mains power quality should be that of a typical commercial or hospital environment. If the user of the KWIKtrak Turntable requires continued operation during power mains interruptions, it is recommended that the KWIKtrak Turntable be powered from an uninterruptible power supply or a battery. NOTE: <i>UT</i> is the a.c. mains voltage prior to application of the test level.
Power frequency (50/60 Hz) magnetic field IEC 61000-4-8	3 A/m	3 A/m	Power frequency magnetic fields should be at levels characteristic of a typical location in a typical commercial or hospital environment.
NOTE: <i>UT</i> is the AC mains voltage prior to application of the test level.			

Electromagnetic Compliance

(continued)

Guidance and Manufacturer's Declaration - Electromagnetic Immunity - For Equipment and Systems that are Not Life-Supporting			
Immunity test	IEC 60601 test level	Compliance level	Electromagnetic environment - guidance
Conducted RF IEC 61000-4-6	3 Vrms 150 kHz to 80 Mhz	Not applicable	<p>Portable and mobile RF communications equipment should be used no closer to any part of the KWIKtrak Turntable, including cables, than the recommended separation distance calculated from the equation applicable to the frequency of the transmitter.</p> <p>Recommended separation distance</p> $d = \left[\frac{3.5}{3} \right] \sqrt{P}$
Radiated RF IEC 61000-4-3	3 V/m 80 MHz to 2.5 GHz	10 V/m	$d = \left[\frac{3.5}{10} \right] \sqrt{P}$ <p>80 MHz to 800 MHz</p>
		10 V/m	$d = \left[\frac{7}{10} \right] \sqrt{P}$ <p>800 MHz to 2.5 GHz</p> <p>where P is the maximum output power rating of the transmitter in watts (W) according to the transmitter manufacturer and d is the recommended separation distance in meters. Field strengths from fixed RF transmitters, as determined by an electromagnetic site survey, ^(a) should be less than the compliance level in each frequency range. ^(b) Interference may occur in the local area of product marked with the following symbol:</p> 
NOTE 1: At 80 MHz and 800 MHz, the higher frequency range applies.			
NOTE 2: These directions may not apply in all situations. Electromagnetic propagation is affected by absorption and reflection from structures, objects and people.			
<p>(a) Field strengths from fixed transmitters, such as base stations for radio (cellular/cordless) telephones and land mobile radios, amateur radio, AM and FM radio broadcast and TV broadcast cannot be predicted theoretically with accuracy. To assess the electromagnetic environment due to fixed RF transmitters, an electromagnetic site survey should be considered. If the measured field strength in the location in which the KWIKtrak Turntable is used exceeds the applicable RF compliance level above, the KWIKtrak Turntable should be observed to verify normal operation. If abnormal performance is observed, additional measures may be necessary, such as reorienting or relocating the KWIKtrak Turntable.</p>			
<p>(b) Over the frequency range 150 kHz to 80 MHz, field strengths should be less than 3 V/m.</p>			

Electromagnetic Compliance

(continued)

Recommended Separation Distance Between - Portable and Mobile RF Communications Equipment and the KWIKtrak Turntable for Equipment and Systems that are not Life-Supporting

Recommended separation distances between portable and mobile RF communications equipment and the KWIKtrak Turntable.

The KWIKtrak Turntable is intended for use in electromagnetic environment in which radiated RF disturbances are controlled. The customer or the user of the KWIKtrak Turntable can help prevent electromagnetic interference by maintaining a minimum distance between portable and mobile RF communication equipment (transmitters) and the KWIKtrak Turntable as recommended below, according to the maximum output power of the communications equipment.

Rated maximum output power of transmitter W	Separation distances according to frequency of transmitter m		
	150 kHz to 80 MHz	80 MHz to 800 MHz	800 MHz to 2.5 GHz
	$d = \left[\frac{3.5}{3} \right] \sqrt{P}$	$d = \left[\frac{3.5}{10} \right] \sqrt{P}$	$d = \left[\frac{7}{10} \right] \sqrt{P}$
0.01	0.12	0.12	0.24
0.1	0.37	0.37	0.74
1	1.17	1.17	2.34
10	3.69	3.69	7.38
100	11.67	11.67	23.34

For transmitters rated at a maximum output power not listed above, the recommended separation distance d in metres (m) can be estimated using the equation applicable to the frequency of the transmitter, where P is the maximum output power rating of the transmitter in watts (W) according to the transmitter manufacturer.

NOTE 1: At 80 MHz and 800 MHz, the separation distance for the higher frequency range applies.

NOTE 2: These guidelines may not apply in all situations. Electromagnetic propagation is affected by absorption and reflection from structures, objects and people.

AUSTRALIA

ArjoHuntleigh Pty Ltd
78, Forsyth street
O'Connor
AU-6163 Western Australia
Tel: +61 89337 4111
Free: +1 800 072 040
Fax: + 61 89337 9077

BELGIQUE / BELGIË

ArjoHuntleigh NV/SA
Evenbroekveld 16
B-9420 ERPE-MERE
Tél/Tel: +32 (0) 53 60 73 80
Fax: +32 (0) 53 60 73 81
E-mail: info@arjohuntleigh.be

CANADA

ArjoHuntleigh
90 Matheson Boulevard West
Suite 300
MISSISSAUGA, ON, L5R 3R3
Tel/Tél: +1 905 238 7880
Free: +1 800 665 4831 Institutional
Free: +1 800 868 0441 Home Care
Fax: +1 905 238 7881
E-mail: info.canada@arjohuntleigh.com

ČESKÁ REPUBLIKA

ArjoHuntleigh s.r.o.
Hlinky 118
CZ- 603 00 BRNO
Tel: +420 549 254 252
Fax: +420 541 213 550

DANMARK

ArjoHuntleigh A/S
Vassingerødvej 52
DK-3540 LYNGE
Tel: +45 49 13 84 86
Fax: +45 49 13 84 87
E-mail: info.dk@arjohuntleigh.com

DEUTSCHLAND

ArjoHuntleigh GmbH
Peter-Sander-Strasse 10
D-55252 MAINZ-KASTEL
Tel: +49 (0) 6134 186 0
Fax: +49 (0) 6134 186 160
E-mail: info-de@arjohuntleigh.com

ΕΛΛΑΔΑ

C. Psimitis Co Ltd
Dimitriou Andr. 59
GR-16121 KAISARIANI ATTIKIS
Τηλ: 21 0724 36 68
Φάξ: 21 0721 55 53

ESPAÑA

ArjoHuntleigh Ibérica S.L.
Ctra. de Rubí, 88 1ª planta - A1
08173 Sant Cugat del Vallés
ES- BARCELONA 08173
Tel: +34 93 583 11 20
Fax: +34 93 583 11 22
E-mail: info.es@arjohuntleigh.com

FAR EAST

ARJO Far East Limited
Unit 3A, 4/F., block B Hoi Luen
Industrial Centre
55 Hoi Yuen Road,
Kwun Tong, Kowloon
HONG KONG
Tel: +852 2508 9553
Fax: +852 2508 1416

FRANCE

ArjoHuntleigh SAS
2 Avenue Alcide de Gasperi
CS 70133
59436 RONCQ CEDEX
Tél: +33 (0) 3 20 28 13 13
Fax: +33 (0) 3 20 28 13 14
E-mail : info.france@arjohuntleigh.com

INTERNATIONAL

ArjoHuntleigh International Ltd.
ArjoHuntleigh House
Houghton Hall Park
Houghton Regis
UK-DUNSTABLE LU5 5XF
Tel: +44 (0) 1582 745 800
Fax: +44 (0) 1582 745 866
E-mail:
international@ArjoHuntleigh.com

ITALIA

ArjoHuntleigh S.p.A.
Via di Tor Vergata 432
00133 ROMA - ITALIA
Tel: +39 (0) 6 87426211
Fax: +39 (0) 6 87426222
E-mail: Italy.promo@arjohuntleigh.com

NEDERLAND

ArjoHuntleigh Nederland BV
Biezenwei 21
4004 MB TIEL
Postbus 6116
4000 HC TIEL
Tel: +31 (0) 344 64 08 00
Fax: +31 (0) 344 64 08 85
E-mail: info.nl@arjohuntleigh.com

NEW ZEALAND

ArjoHuntleigh Ltd
41 Vestey Drive
Mount Wellington
AUCKLAND 1060
Tel: +64 (0) 9 573 5344
Free Call: 0800 000 151
Fax: +64 (0) 9 573 5384
E-mail: nz.info@ArjoHuntleigh.com

NORGE

ArjoHuntleigh Norway AS
Ryenstubben 2
NO-0679 OSLO
Tel: +47 22 08 00 50
Faks: +47 22 08 00 51
E-mail: no.kundeservice@arjohuntleigh.com

POLSKA

ArjoHuntleigh Polska Sp. z o.o.
ul. Ks Piotra Wawrzyniaka 2
PL 62-052 KOMORNIKI (Poznan)
Tel: +48 61 662 15 50
Fax: +48 61 662 15 90
E-mail: arjo@arjohuntleigh.com

PORTUGAL

ArjoHuntleigh em Portugal:
MAQUET Portugal, Lda. (Distribuidor Exclusivo)
Rua Poeta Bocage n.º 2 - 2G
1600-233 Lisboa, Portugal
Tel: +351 214 189 815
Fax: +351 214 177 413
E-mail: Portugal@arjohuntleigh.com

SUISSE / SCHWEIZ

ArjoHuntleigh AG
Fabrikstrasse 8
Postfach
4614 Hägendorf,
Tél/Tel: +41 (0) 61 337 97 77
Fax: +41 (0) 61 311 97 42

SUOMI

ArjoHuntleigh OY
Vanha Porvoontie 229
FI-01380 VANTAA
Puh: +358 9 4730 4320
Faksi: +358 9 4730 4999

SVERIGE

ARJO Scandinavia AB
Verkstadsvägen 5
Box 61
SE-241 21 ESLÖV
Tel: +46 (0) 10-335 45 00
Fax: +46 (0) 413-138 76
E-mail: kundservice@arjohuntleigh.com

UNITED KINGDOM

ArjoHuntleigh UK
ArjoHuntleigh House
Houghton Hall Park
Houghton Regis
UK-DUNSTABLE LU5 5XF
Tel: +44 (0) 1582 745 700
Fax: +44 (0) 1582 745 745
E-mail:
sales.admin@ArjoHuntleigh.com

USA

ArjoHuntleigh Inc.
2349 W Lake Street Suite 250
Addison, IL 60101
Tel: +1 630 307 2756
Free: +1 800 323 1245 Institutional
Free: +1 800 868 0441 Home Care
Fax: +1 630 307 6195
E-mail: us.info@ArjoHuntleigh.com

ÖSTERREICH

ArjoHuntleigh GmbH
Dörrstrasse 85
AT-6020 INNSBRUCK
Tel: +43 (0) 512 204 160 0
Fax: +43 (0) 512 204 160 75

ARJOHUNTLEIGH

GETINGE GROUP

GETINGE GROUP is a leading global provider of products and systems that contribute to quality enhancement and cost efficiency within healthcare and life sciences. We operate under the three brands of **ArjoHuntleigh**, **GETINGE** and **MAQUET**. **ArjoHuntleigh** focuses on patient mobility and wound management solutions. **GETINGE** provides solutions for infection control within healthcare and contamination prevention within life sciences. **MAQUET** specializes in solutions, therapies and products for surgical interventions and intensive care.

www.ArjoHuntleigh.com



ArjoHuntleigh AB
Verkstadsvägen 5
241 38 Eslöv
SWEDEN



0 0 1 . 1 1 7 2 0 . E N