

V3, V3 Lite

Parts List



Design Policy and Copyright

® and ™ are trademarks belonging to the ArjoHuntleigh group of companies.

© ArjoHuntleigh 2011.

As our policy is one of continuous improvement, we reserve the right to modify designs without prior notice. The content of this publication may not be copied either whole or in part without the consent of ArjoHuntleigh.

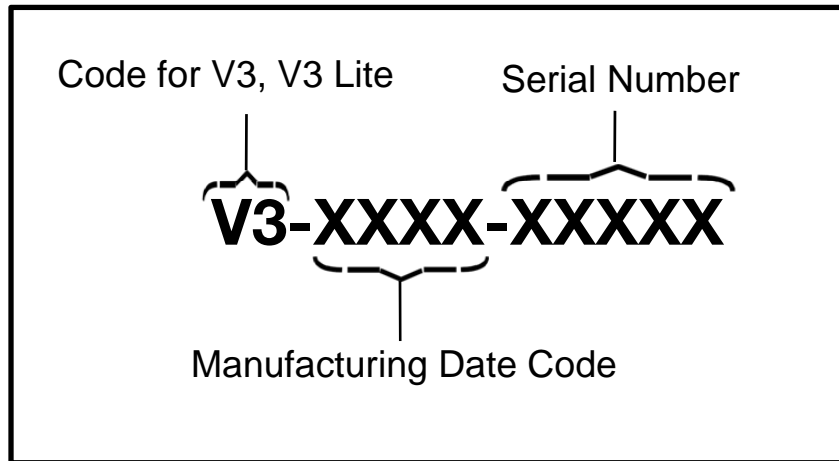
Serial Number Information

Before ordering spare parts, study the exploded views closely and make sure that you are familiar with all the spare parts involved.

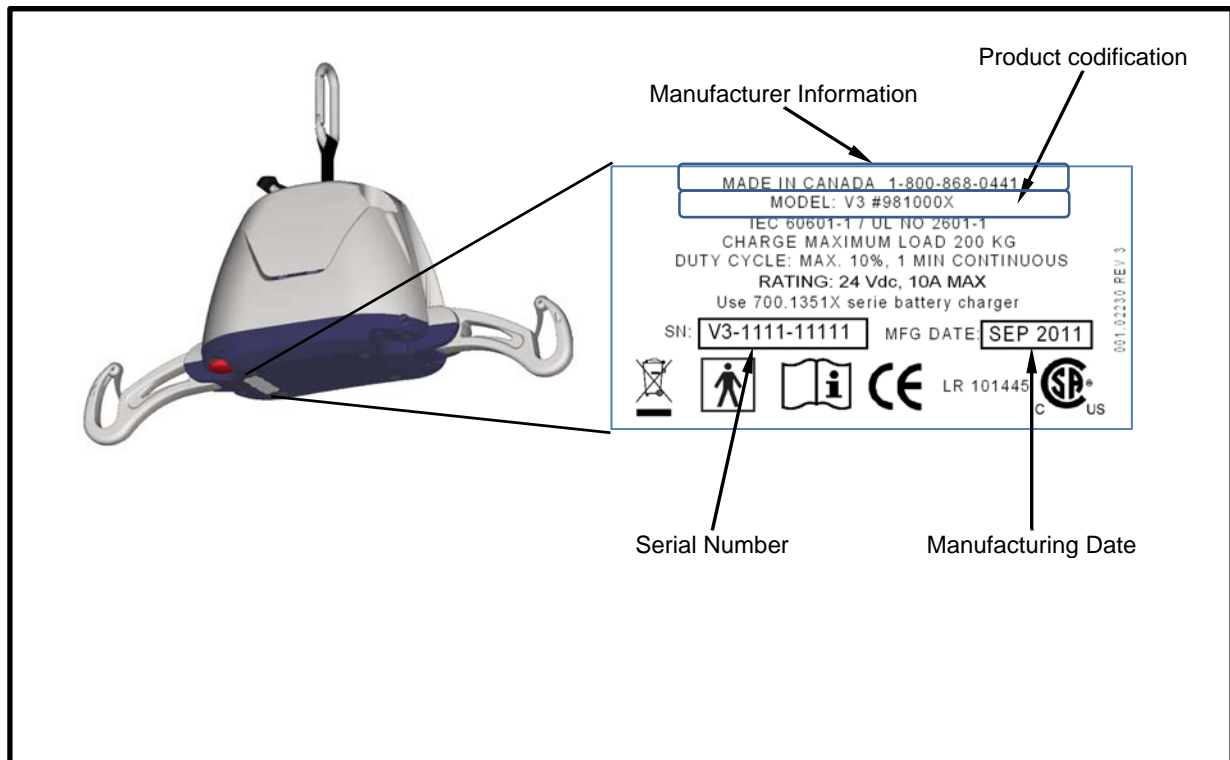
Before contacting the ArjoHuntleigh Sales department, always have the following information at hand:

- Correct name of the product (see Product Identification Label below).
- The serial number of the product (see Product Identification Label below).

Serial Number Codification

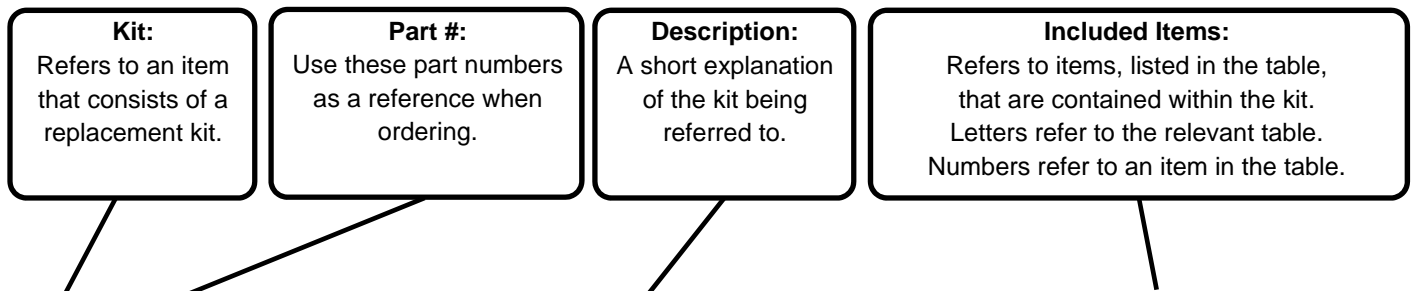


Product Identification Label

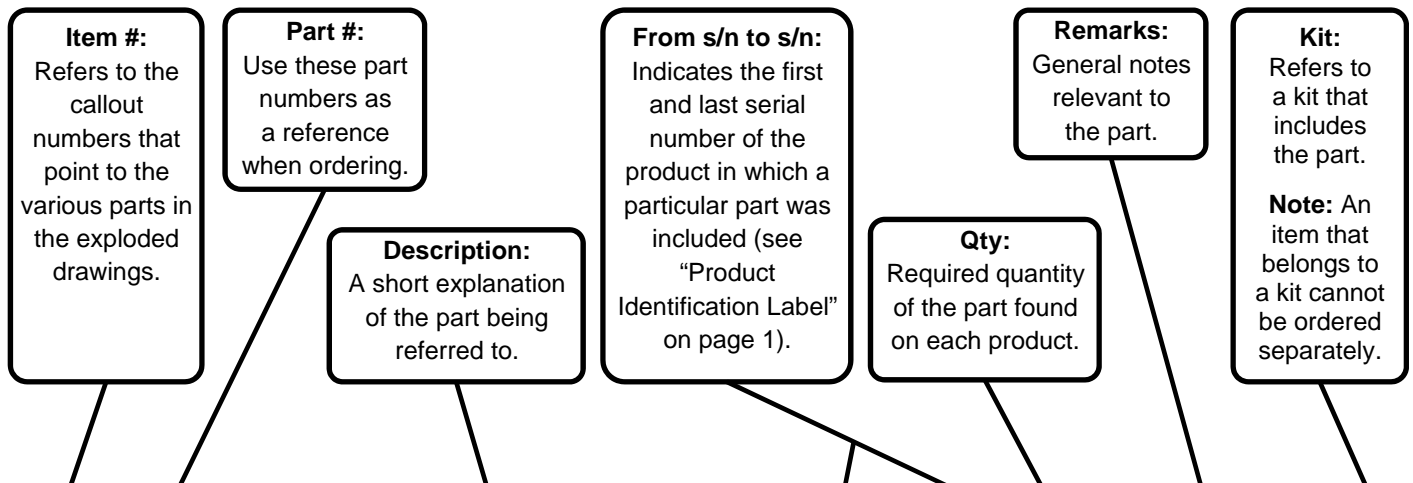


Modifications made to the equipment without ArjoHuntleigh's express acknowledgement will invalidate supplier's product liability.

How to Read Parts List Tables



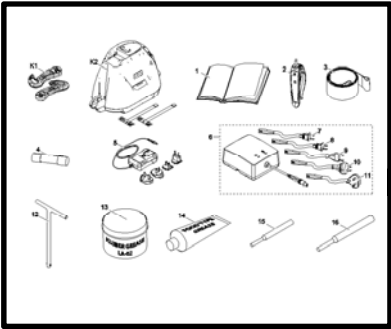
A <i>REPLACEMENT KITS TABLE</i>			
Item	Part #	Description	Included Items
K1	700-00001	FIRST REPLACEMENT KIT	B2
K2	700-00002	SECOND REPLACEMENT KIT	B6-B7
K3	700-00003	THIRD REPLACEMENT KIT	B1, B3-B4
K5	700-00004	FOURTH REPLACEMENT KIT	B5



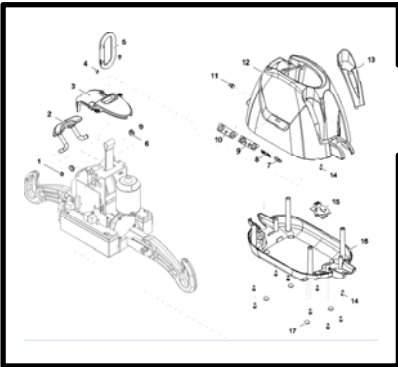
B <i>PARTS DETAIL TABLE</i>							
Item	Part #	Description	From s/n	To s/n	Qty	Remarks	Kit
1	001-00001	FIRST PART			2		K3
2	001-00002	SECOND PART			2		K1
3	001-00003	THIRD PART			2		K3
4	001-00004	FOURTH PART			1		K3
5	001-00005	FIFTH PART			2		K4
6	001-00006	SIXTH PART			8		K2
7	001-00007	SEVENTH PART			2		K2

Content

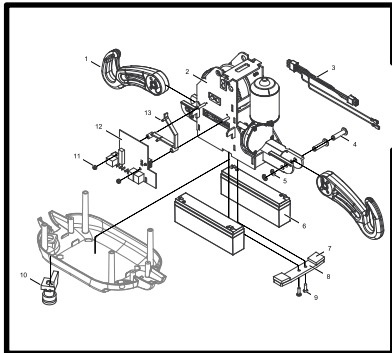
- Serial Number Codification 1
- Product Identification Label..... 1
- A - General Parts / Replacement Kits 4
- B - Housing 5
- C - Chassis..... 6
- D – Transmission 7



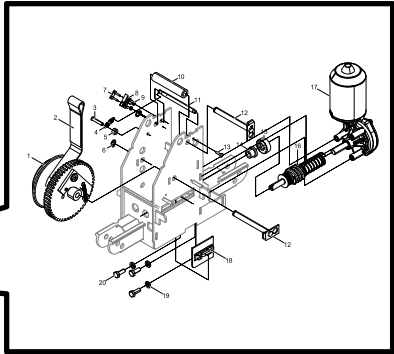
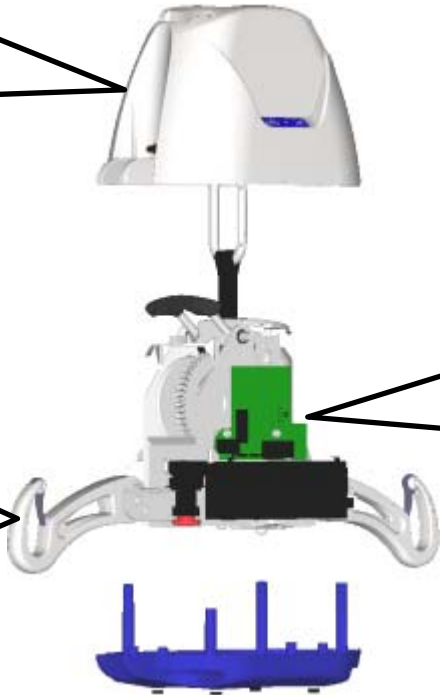
A - General Parts / Replacement Kits, page 4



B - Housing, page 5



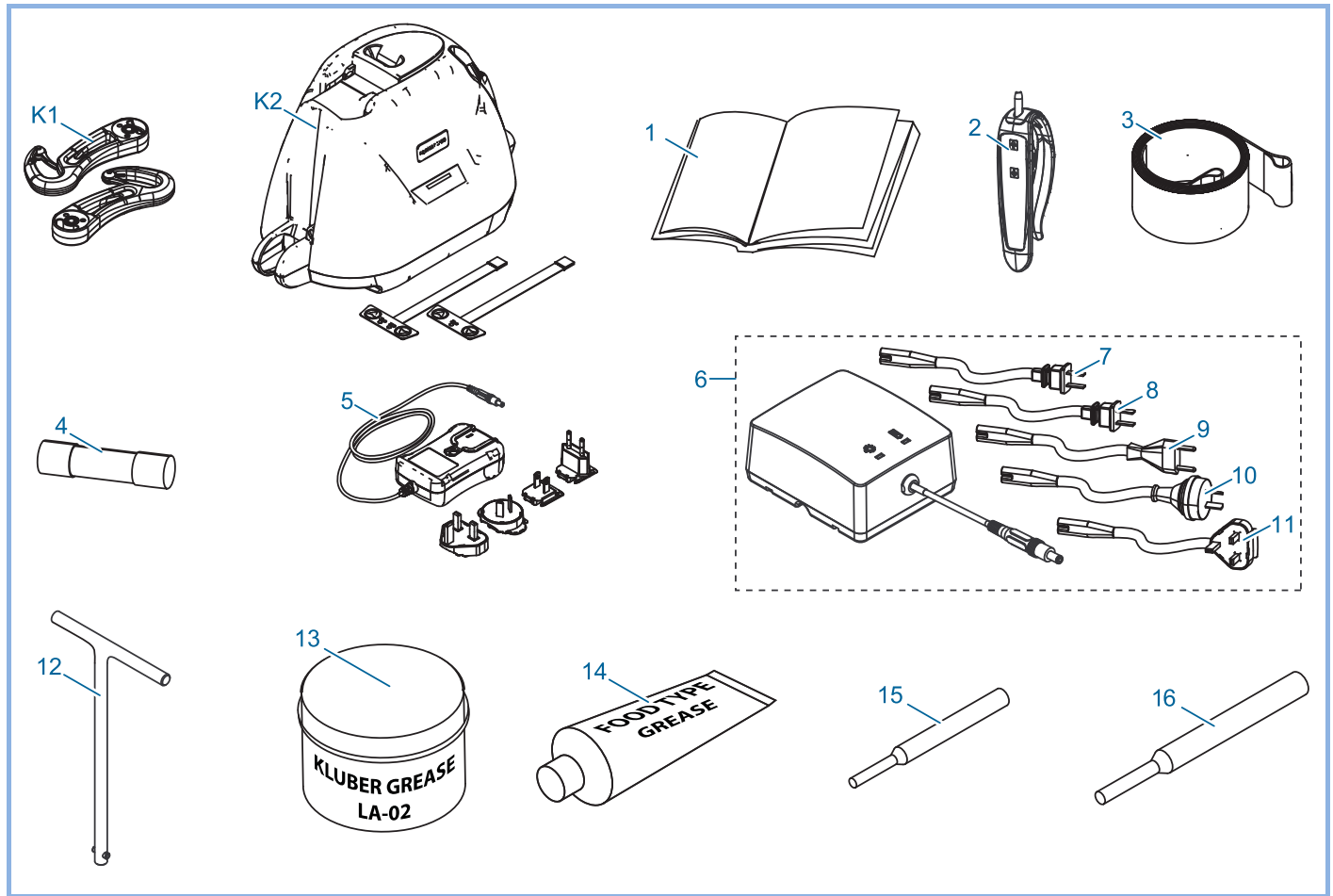
C - Chassis, page 6



D – Transmission page 7

Parts Designations

A - General Parts / Replacement Kits

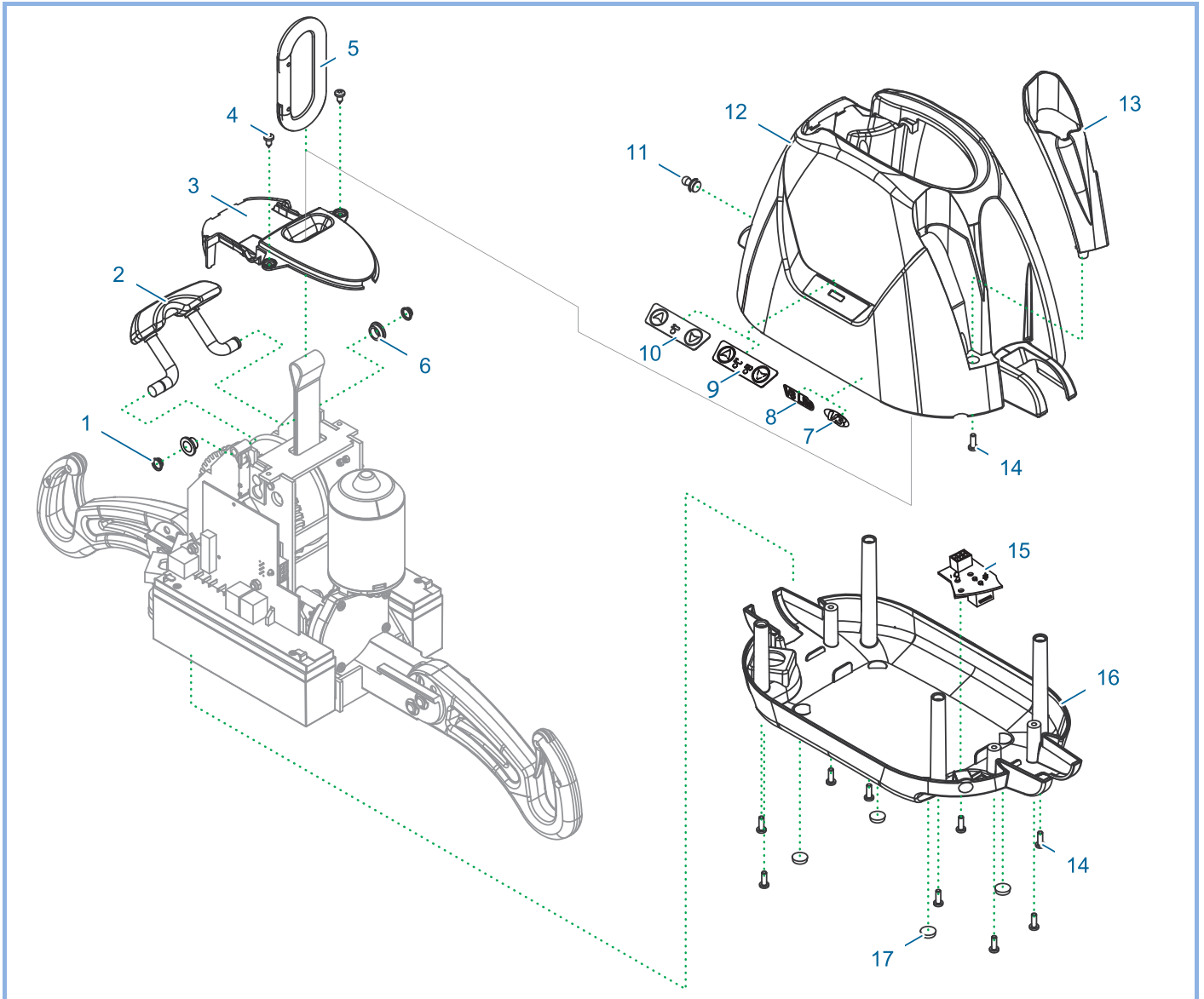


A GENERAL PARTS							
Item	Part #	Description	From s/n	To s/n	Qty	Remarks	Kit
1	001.16000	V3 Instructions for Use					
	001-16001	V3 Lite Instructions for Use					
2	700-13820	2-Button Control – IPX4					
	700-13825	2-Button Control – IPX7					
3	362.01365	BLACK STRAP					
4	C8FGMA10	GMA 10A FUSE					
5	700-24201	Universal Charger					
6	700.13510	Battery Charger					
7	402.00001	Cable Classe 2 (UL)				Obsolete Replaced by 700-24201	
8	402.00002	Cable Classe 2 (JP)					
9	402.00003	Cable Classe 2 (CE)					
10	402.00004	Cable Classe 2 (AU)					
11	402.00005	Cable Classe 2 (UK)					
12	005.16500	V3 - Emergency Lowering Tool					
13	001.14140	Kluber Grease LA-02				For 9 mm shaft	
14	P8100	Food Grade Type Grease				Drum gear	
15	000.00002	Mini Amp Pin Extractor					
16	005.00374	Pin Extractor					
REPLACEMENT KITS							
Item	Part #	Description	Included Items				
K1	700-16560	Folding Arms Replacement Kit	C1				
K2	700-16809	V3 Plastic Cab Replacement Kit	B3-B4, B7, B9-B14, B16-B17				
	700-16811	V3 Lite Plastic Cab Replacement Kit	B3-B4, B8-B14, B16-B17				

001.16020 rev. 3

Parts Designations

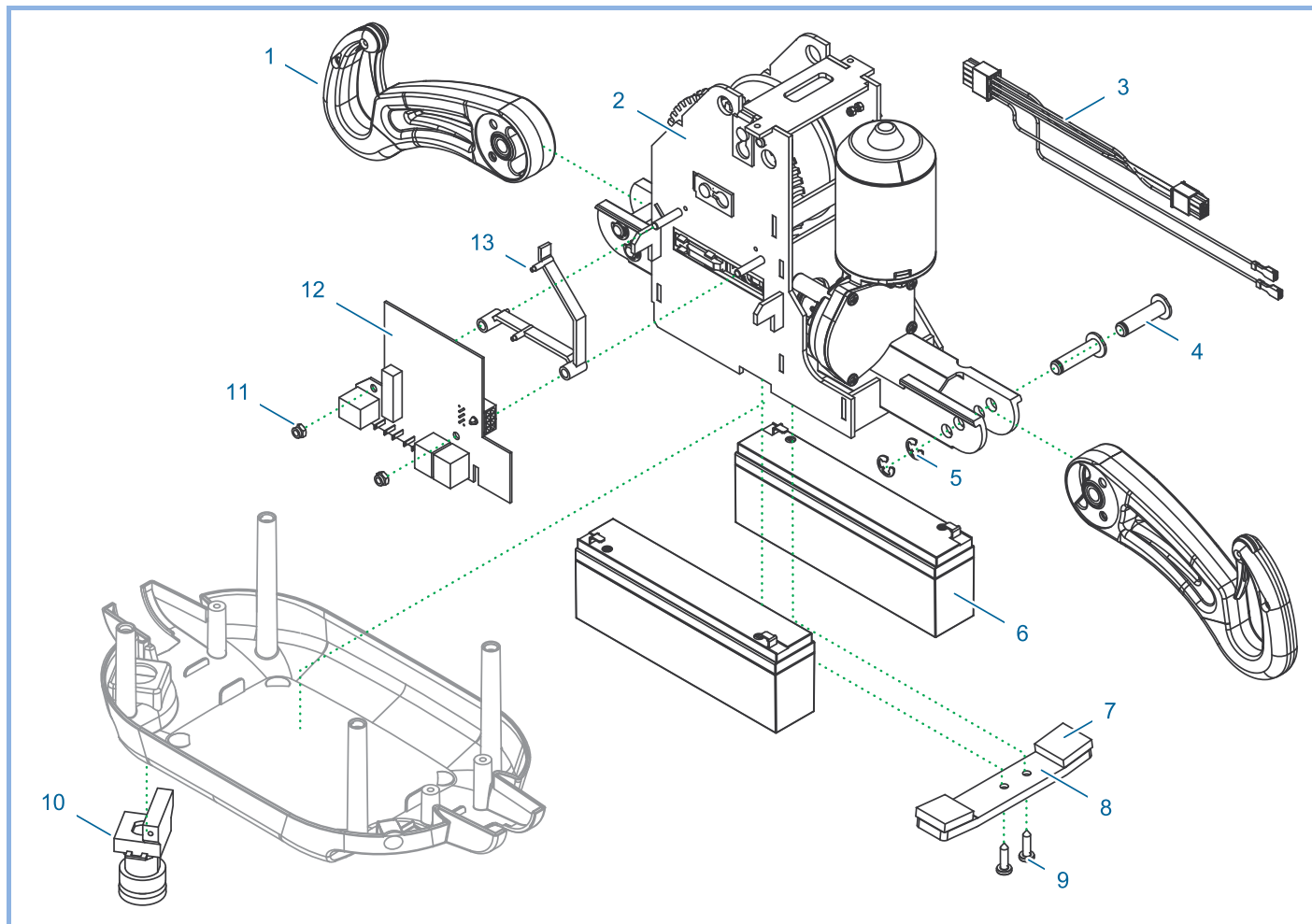
B - Housing



B		HOUSING					
Item	Part #	Description	From s/n	To s/n	Qty	Remarks	Kit
1	000.00846	RETAINING RING 9MM			2		
2	200.16870	"TARZAN" HOOK			1		
3	200.16840	V3 - STRAP INLET			1		
4	000.00635	TAP SCREW ST4.2 X 9.5 TORX			2		
5	000.08000	CARABINER			1		
6	000.16550	BUSHING 3/8 X 1/2 FLANGE PLASTIC			2		
7	001.11615	Sticker V3			2		
8	001-16116	Sticker V3 Lite			2		
9	001-08100	V3 - MEMBRANE W CHARGE INDICATOR					K2
10	001.08070	V3 - MEMBRANE			1		K2
11	200.16570	CAP FOR EMERGENCY LOWERING			1		
12	200-16809	V3 - TOP SHELL			1		K2
13	200-16889-33	V3 - HAND CONTROL POCKET			1		K2
14	000.02480	TAP SCREW PLASTITE 4.0 X 12			10		
15	492.00051	HAND CONTROL & CHARGER INLET CIRCUIT BOARD			1		
16	200.16820	V3 - BOTTOM SHELL			1		K2
17	001.13500	RUBBER PAD			4		

Parts Designations

C - Chassis

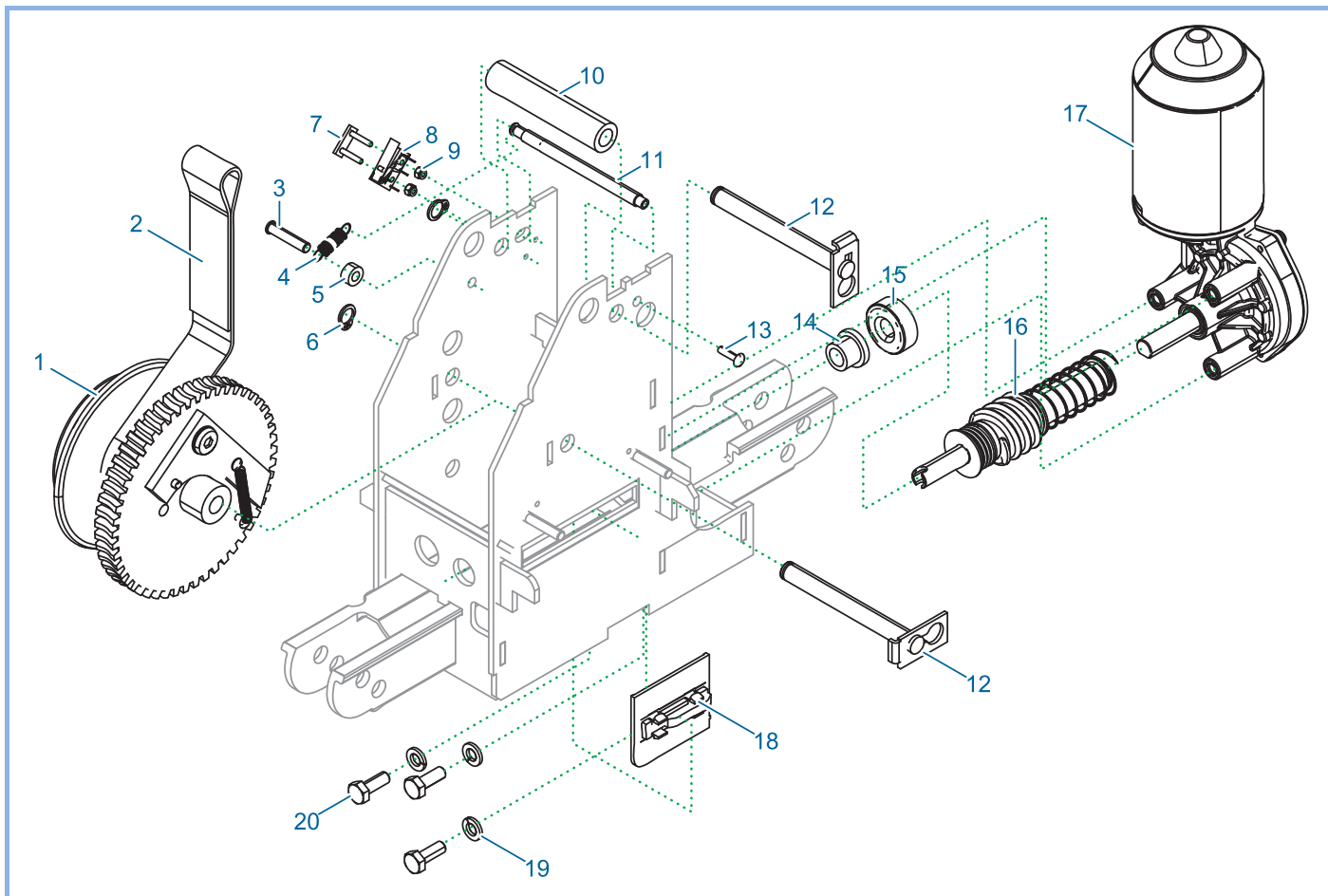


C CHASSIS								
Item	Part #	Description	From s/n	To s/n	Qty	Remarks	Kit	
1	600-16560	V3 - FOLDABLE ARM	11425	-	2	Compatible with former units	K1	
2	202.16500	V3 - FRAME			1			
3	402.16000	V3 - WIRING KIT			1			
4	203.16530	V3 - CLEVIS FOR ARM			4			
5	000.16560	RETAINING WASHER 7MM			4			
6	E6585	BATTERY 12V 2.3AH TERMINAL BLADE			2			
7	200.16505	V3 - FOAM BATTERY			2			
8	202.16510	V3 - BATTERY SUPPORT			1			
9	000.00640	TAP SCREW ST4.2 X 19 TORX			2			
10	C6P22MM	EMERGENCY PUSHBUTTON			1			
11	000.02800	LOCKNUT M5 ZINC			2			
12	492.00047-1	V3 - MAIN CIRCUIT BOARD			1			
	492-00047-2	V3 Lite - MAIN CIRCUIT BOARD			1			
13	200.14240	PCB SUPPORT			1			

001.16020 rev. 3

Parts Designations

D – Transmission



D TRANSMISSION							
Item	Part #	Description	From s/n	To s/n	Qty	Remarks	Kit
1	700.08052	PORTABLE DRUM WITH BLACK STRAP			1		
2	362.01365	BLACK STRAP			1		
3	000.00897	RIVET 3/16" 1/4-3/8 ALUM			1		
4	000.00873	EXTENSION SPRING 6.5 X 25MM			1		
5	000.02535	SPACER NYLON 5 X 5			1		
6	000.00846	RETAINING RING 9MM			2		
7	200.14090	LIMIT FIXATION PLATE			1		
8	460.00005	SWITCH DB2 TERMINAL 0.110			1		
9	000.01970	LOCKNUT M2.5 ZINC			2		
10	200.08520	STRAP ROLLER			1		
11	200-08121	LIMIT SHAFT			1		
12	200.08065	9MM SHAFT			2		
13	000.00887	RIVET 1/8 x 3/8 GRIP			1		
14	000.01048	BUSHING 3/8 FLANGE			1		
15	000.01083	BEARING THRUST 3/8 CLOSED			1		
16	700.16520	V3 - ASSY SHAFT WORM			1		
17	E0006	GEAR MOTOR			1		
18	200.14230	CBLM PLATE			1		
19	000.03420	LOCKWASHER M6 ZINC			3		
20	000.03095	SCREW M6 X 16 HEX ZINC			3		

ARJOHUNTLEIGH

GETINGE GROUP

GETINGE GROUP is a leading global provider of products and systems that contribute to quality enhancement and cost efficiency within healthcare and life sciences. We operate under the three brands of **ArjoHuntleigh**, **GETINGE** and **MAQUET**. **ArjoHuntleigh** focuses on patient mobility and wound management solutions. **GETINGE** provides solutions for infection control within healthcare and contamination prevention within life sciences. **MAQUET** specializes in solutions, therapies and products for surgical interventions and intensive care.

www.ArjoHuntleigh.com

 **ArjoHuntleigh AB**
Verkstadsvägen 5
241 38 Eslöv
SWEDEN