

V4, V4i
Parts List



CE

Design Policy and Copyright

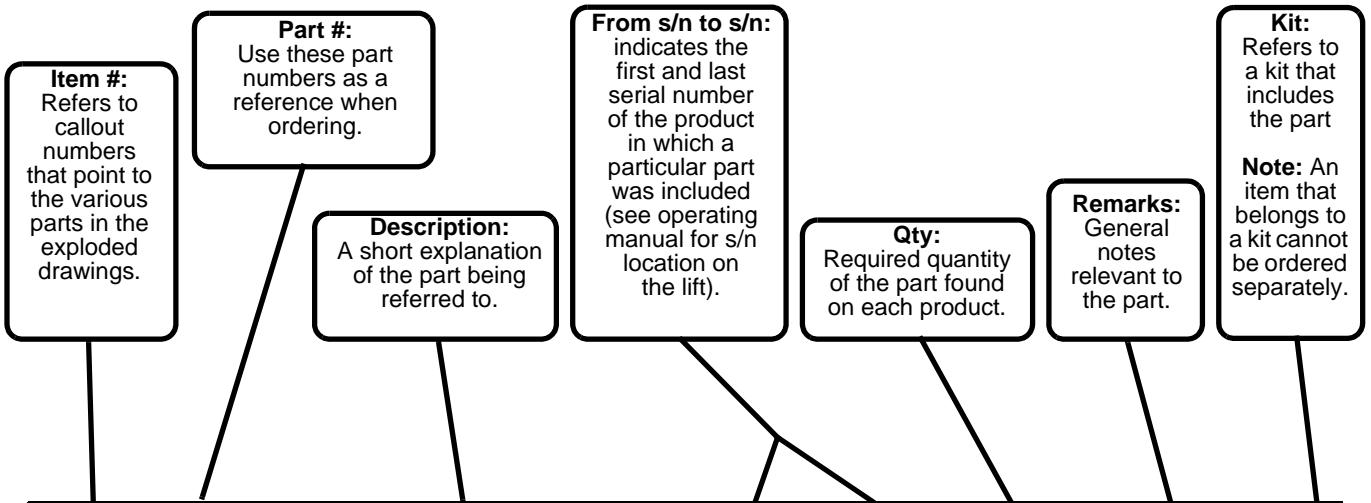
® and ™ are trademarks belonging to the ArjoHuntleigh group of companies.

© ArjoHuntleigh 2012.

As our policy is one of continuous improvement, we reserve the right to modify designs without prior notice.

The content of this publication may not be copied either whole or in part without the consent of ArjoHuntleigh.

How to Read Parts List Tables

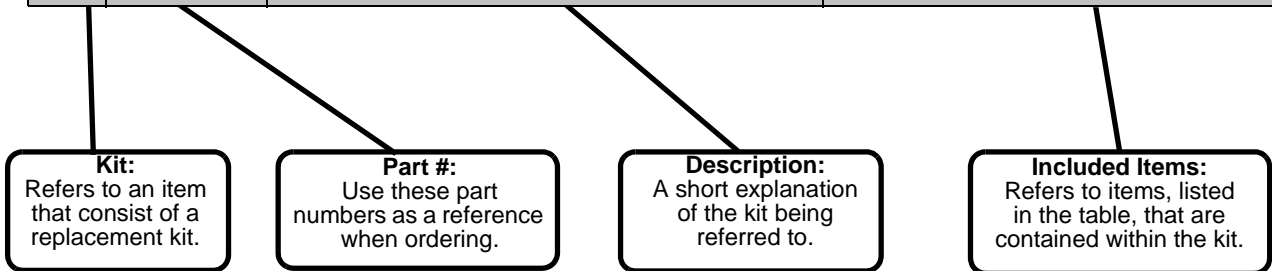


D TABLE HEADER FOR THE ASSEMBLY

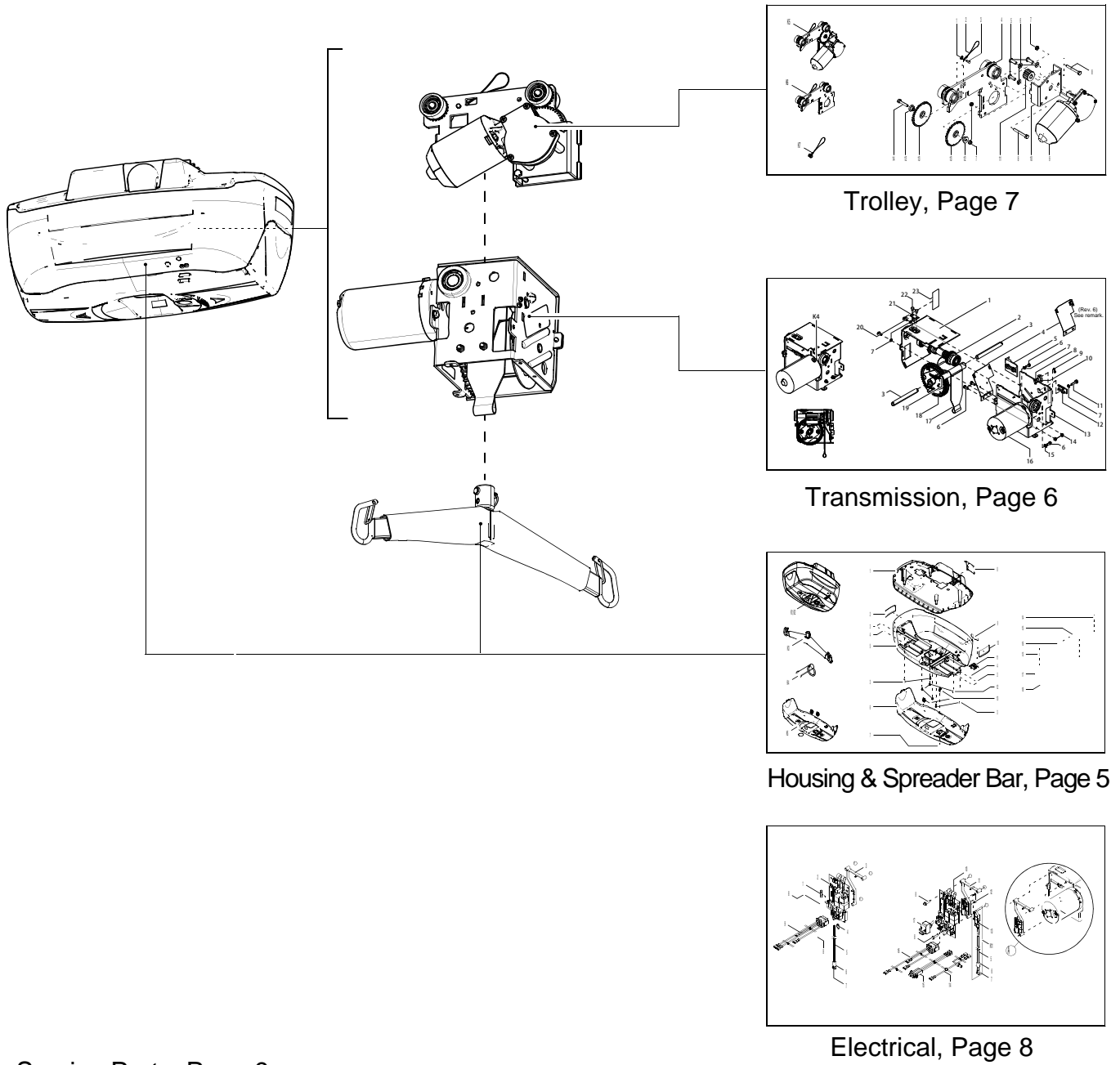
Item	Part #	Description	From s/n	To s/n	Qty	Remarks	Kit
1	001-00001	FIRST PART			2		K3
2	001-00002	SECOND PART			1		K1
3	001-00003	THIRD PART			1		K3
4	001-00004	FOURTH PART			1		K3
5	001-00005	FIFTH PART			1	Include item 13	K4
6	001-00006	SIXTH PART	-	60095	1		K2
7	001-00007	SEVENTH PART	60096	-	1		K2

REPLACEMENT KITS

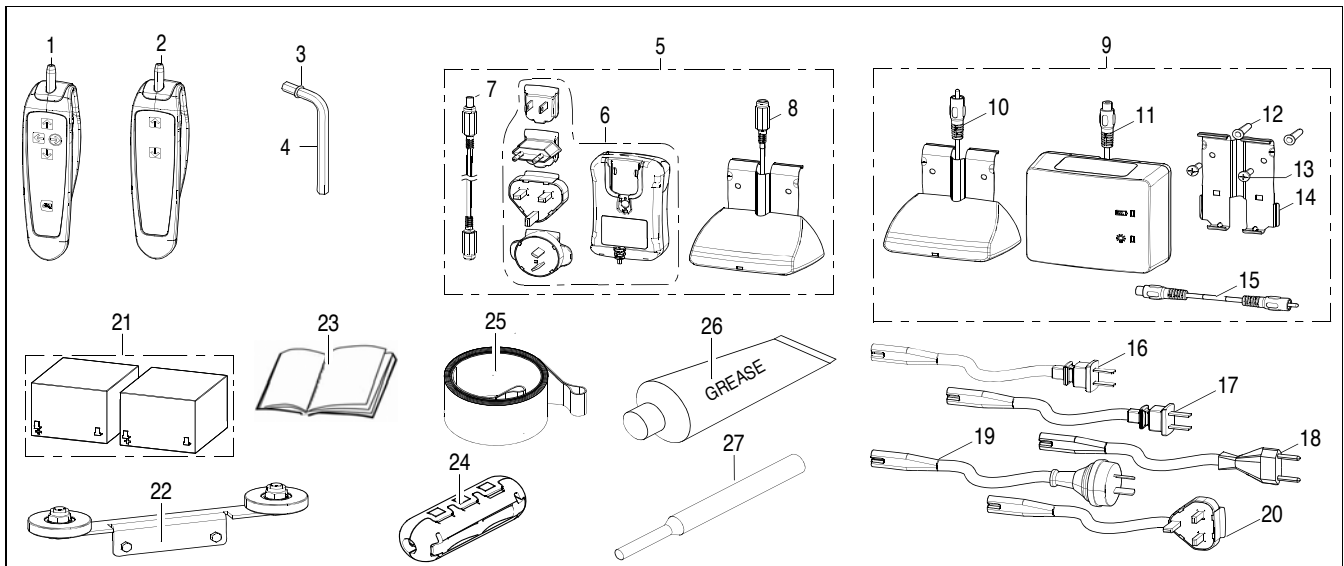
Kit	Part #	Description	Included Items
K1	700-00001	FIRST REPLACEMENT KIT	B2
K2	700-00002	SECOND REPLACEMENT KIT	B6-B7
K3	700-00003	THIRD REPLACEMENT KIT	B1, B3-B4
K4	700-00004	FOURTH REPLACEMENT KIT	B5



Content

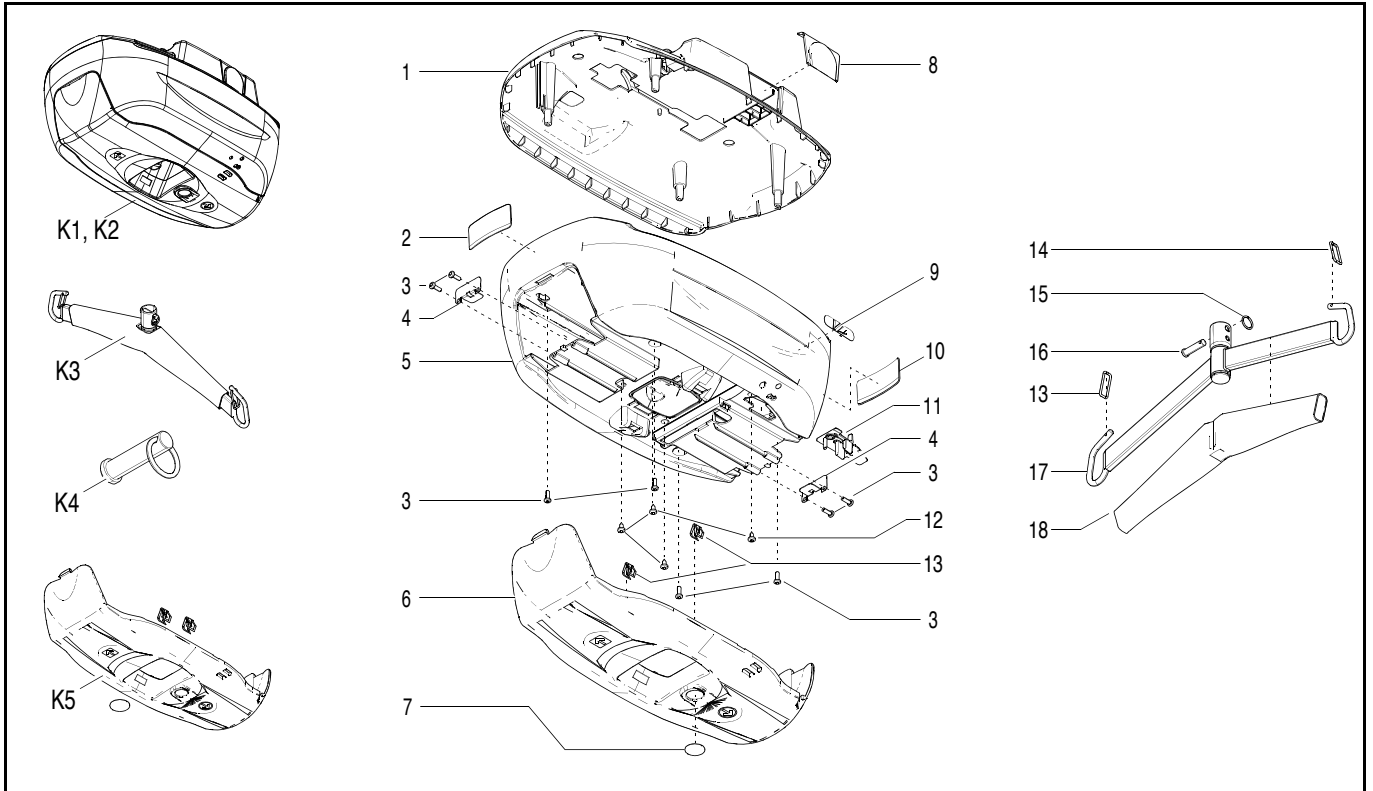


Service Parts, Page 9



Parts Designation

A - Housing and Spreader Bar - Exploded View Diagram

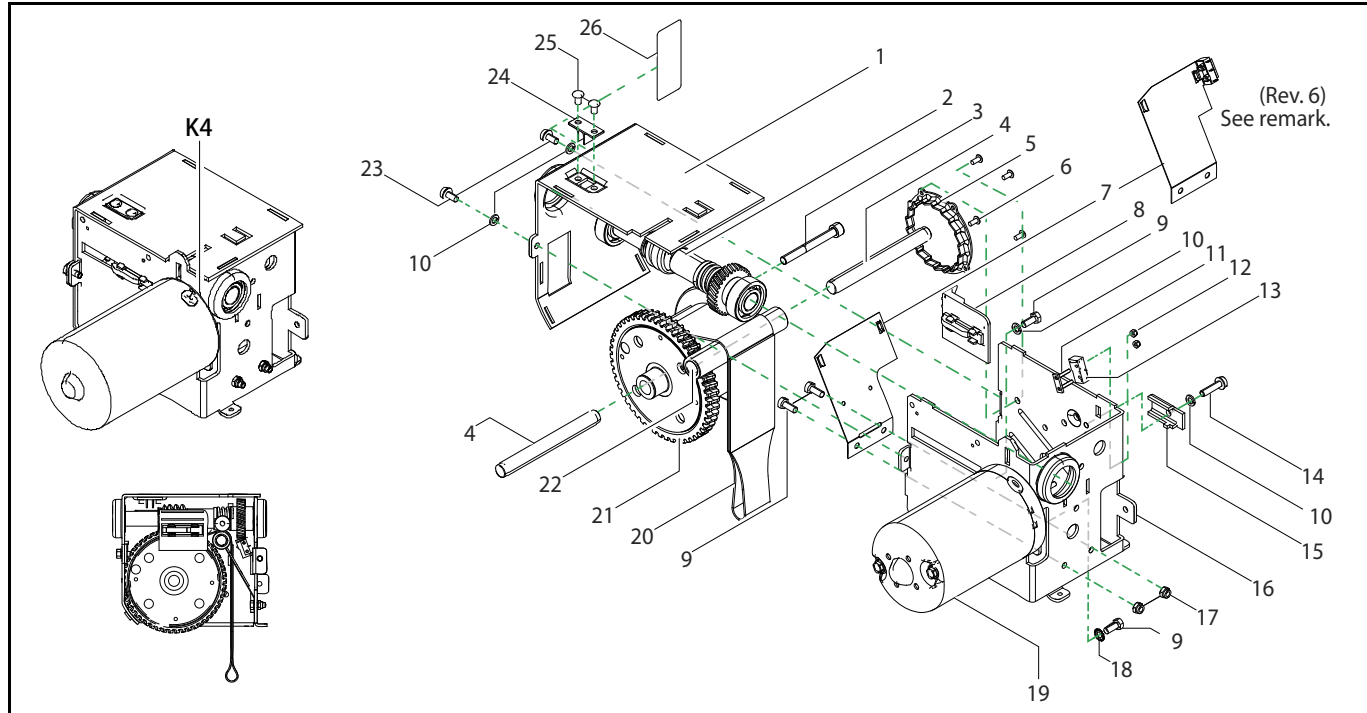


A HOUSING & SPREADER BAR							
Item	Part #	Description	From	To	Quantity	Remarks	Kit
1	200.14500	Top shell		-	1	Replace complete housing (K1 or K2) if serial number is lower then 16000	
2	001.02226	V4i Serial number sticker			1	Must be transferred from old housing to the new one during replacement	
	001.02223	V4 Serial number sticker					
3	000.02480	4.0 X 12 plastite tap screw			8		
4	203.14080	Battery support			2		
5	200.14510	Main shell		-	1	Replace complete housing (K1 or K2) if serial number is lower then 16000	
6	200.14520	Panel		-	1	Replace complete housing (K1 or K2) if serial number is lower then 16000	K5
	200.14560	Panel for infrared			(optional)		
7	410.12008	Fresnel Lens 0.850"			-	IR only	
8	200.14530	Tool door			1		
9	001.14055	"V4" sticker			2		
10	001.14085	SWL 600 lb LABEL				V4i only	
11	200.14540	Replacement button			1		
12	000.00635	4.2 X 9.5 st torx tap screw			4		
13	000.14520	Trim clip panel			2		
14	200.05466	Safety Latch			2		
15	000.00921	Split ring			1		
16	000.00905	Clevis Pin 7/16 X 1 21/32			1		
17	221.05403	2-hook Spreader Bar - Frame			1		K3
18	361.05490	Spreader bar padding			1		
REPLACEMENT KITS							
Kit	Part #	Description	Included Items				
K1	700.14500	V4i Complete housing assembly	A1, A3 (QTY 4), A5 - A12				
K2	700.14505	V4 Complete housing assembly	A1, A3 (QTY 4), A5 - A9, A11 - A12				
K3	700.05490	Spreader bar	A13 - A18				
K4	700.00905	Clevis Pin & Split Ring	A15 - A16				
K5	700.14560	IR Panel Kit	A6 - A7, A13				

001.14153 rev. 7

Parts Designation

B - Transmission - Exploded View Diagram



B TRANSMISSION

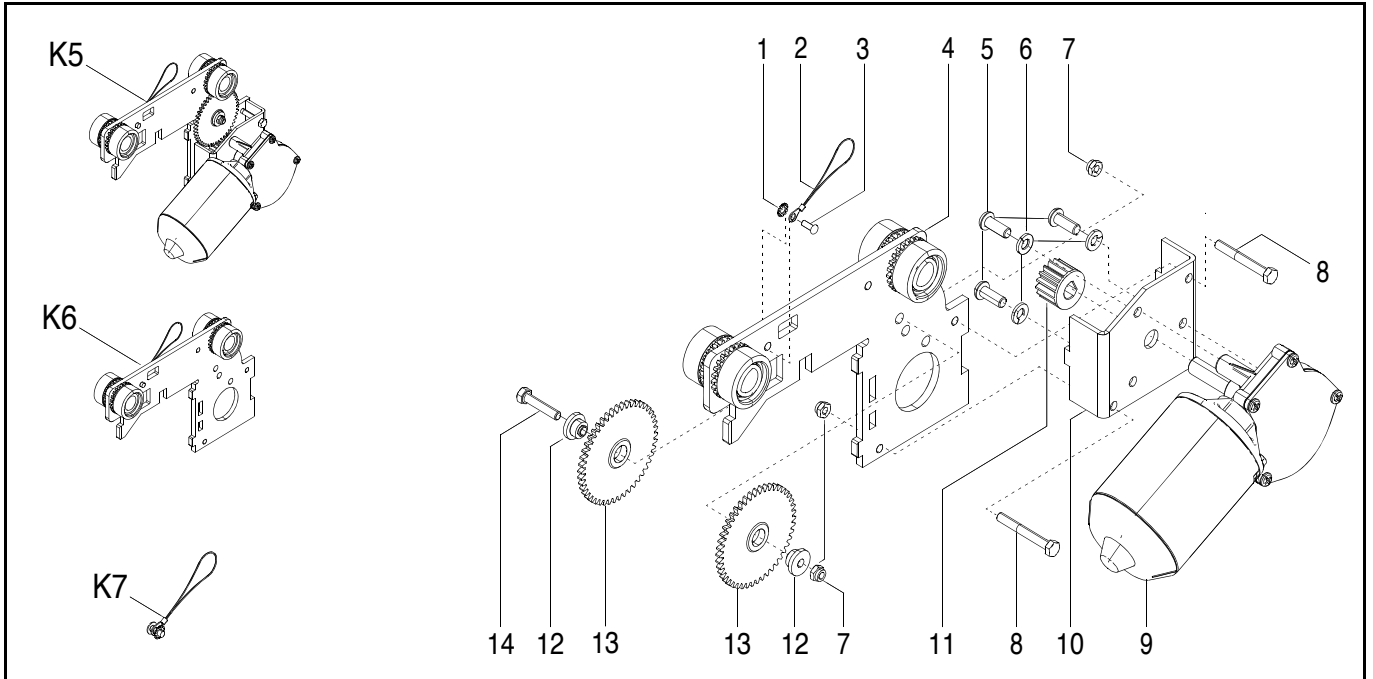
Item	Part #	Description	From	To	Qty	Remarks	Kit
1	203.14010	Frame top part			1		K4
2	700.14100	Shaft assembly			1		K4
3	000-03766	Screw M8 x 70 soc ZP with Sleeve	84854	-	1		K4
4	203.14050	12 mm shaft			2		
5	203-15618	Emergency brake disk with teeth	84854	-	1		K4
6	010.00899	Pop rivet 3/16 1/8-1/4 stainless	84854	-	4		
7	200.14070	Limit plate			1	Units from SN 00000 to 01221 can only be upgraded at ArjoHuntleigh facilities if equipped with rev. 6 limit plate.	
8	200.14230	CBLM Plate			1		K4
9	000.02550	M5 X 12 zinc plated hex screw			4		
10	000.02900	M5 zinc plated lock washer			4		
11	200.14090	Limit fixation bracket			1		
12	000.01970	M2.5 Zinc plated locknut			2		
13	465.00005	0.110 limit switch terminal			1		
14	000.02590	M5 X 20 zinc plated taptite screw			1		
15	203.14030	Lock trolley			1		
16	203.14000	"U-shape" frame			1		K4
17	000.02800	M5 zinc plated locknut			2		
18	000.02915	M5 zinc plated star washer			1		
19	400.14000	Vertical Motor			1		
20	362.14000	Strap			1		
21	600-13351	Drum (600 lb)	84854	-	1		K4
22	200.14060	Strap roller			1		
23	000.02562	M5 X 10 zinc plated taptite screw			2		
24	200.14260	SSRS enabler			1		
25	000.00890	3/16" 0-1/8 aluminium rivet			2		
26	001-10012	Lot/Serial Number Label			1		K4

REPLACEMENT KITS

Kit	Part #	Description	Included Items
K4	700.14510	Transmission Replacement kit	B1 - B26

Parts Designation

C - Trolley - Exploded View Diagram



C

TROLLEY

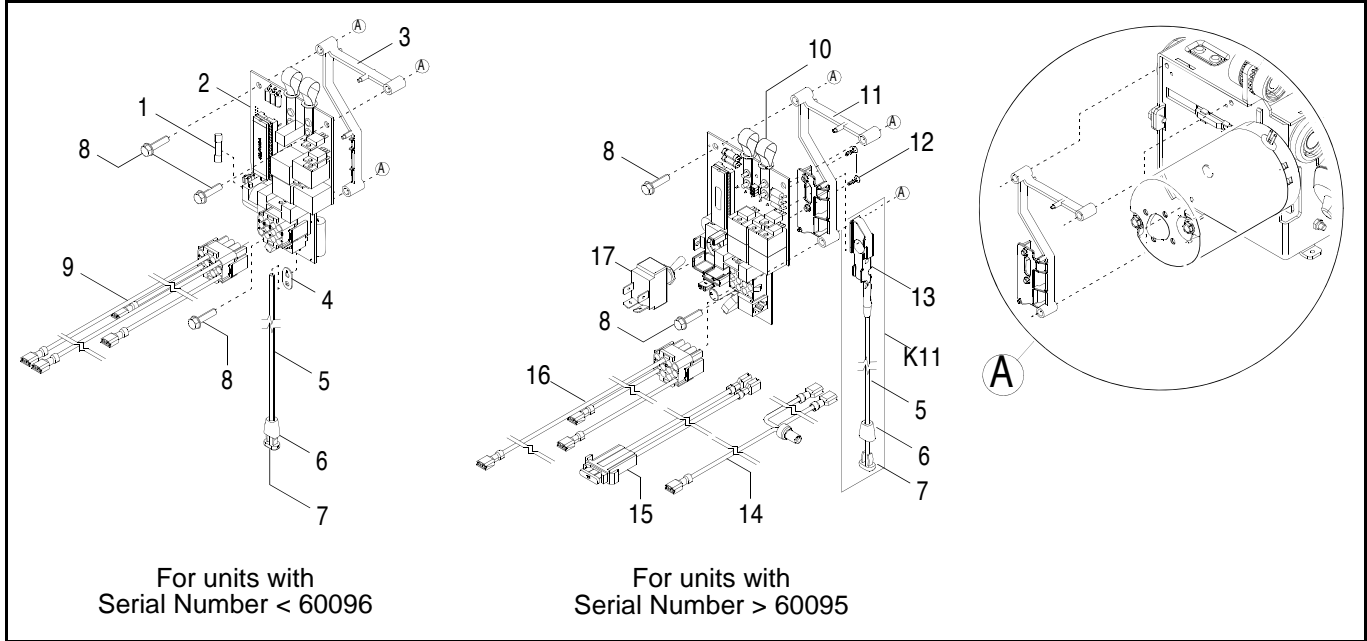
Item	Part #	Description	From	To	Quantity	Remarks	Kit
1	000.02915	M5 Starwasher, zinc			1		
2	402.14015	Anti-static Wire			1		
3	000.00899	Rivet 3/16 1/8-1/4 Steel			1		
4	203.14020	Trolley - Frame			1		K5, K6
5	000.03105	M6 X 16 zinc plated button screw			3		
6	000.03420	M6 zinc plated lock washer			3		
7	000.02800	M5 Locknut, zinc			3	QTY: 0 (K6) : 3 (K5)	
8	000.02655	M5 X 40 zinc plated hex screw			2	QTY: 2 (K5)	
9	E0006	Gearmotor			1		
10	203.14040	Left/right motor plate			1		
11	200.14250	Left/right motor gear			1		
12	203.14220	Idler bushing			2		
13	200.14210	46-tooth idler			2		
14	000.02610	M5 X 25 zinc plated hex screw			1		

REPLACEMENT KITS

Kit	Part #	Description	Included Items
K5	700-14026	4-FB Kwiktrak trolley	C1 - C14
K6	700-14021	2-FB Kwiktrak trolley	C1 - C4
K7	700.14015	Anti-static Kit	C1 - C3

Parts Designation

D - Electrical Parts



D ***ELECTRICAL PARTS / ECS***

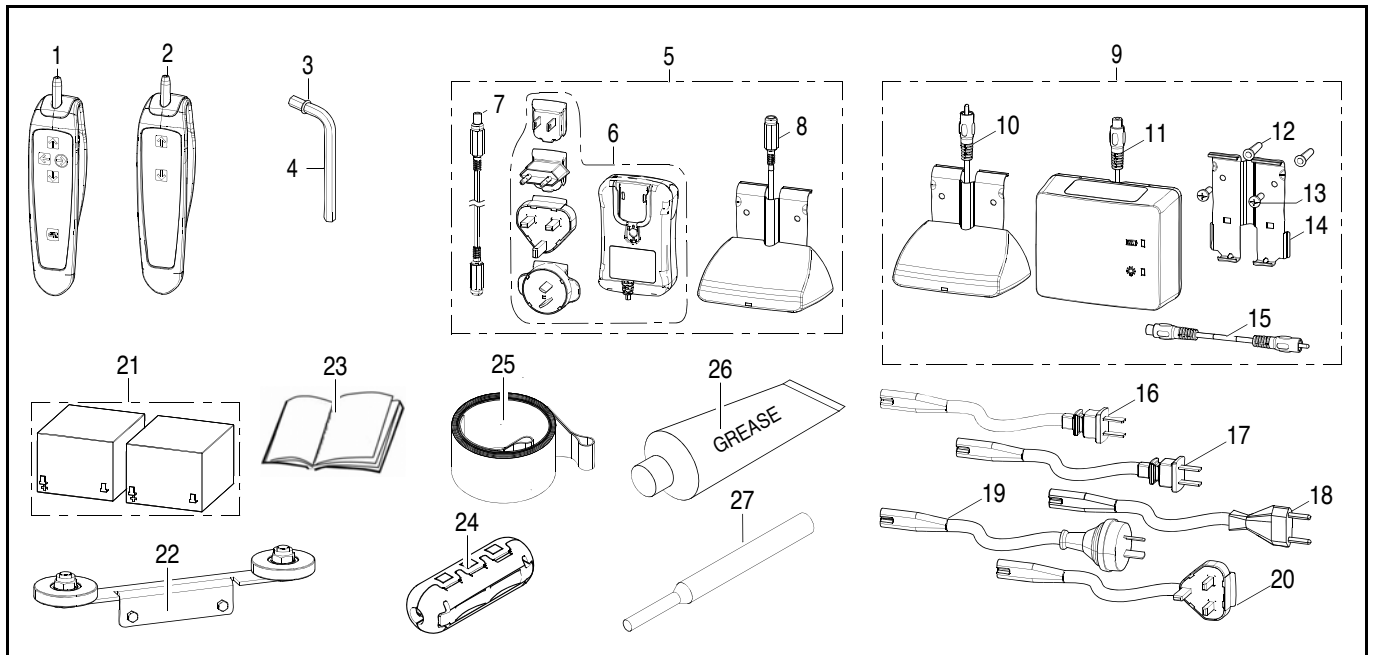
Item	Part #	Description	From	To	Quantity	Remarks	Kit
1	C8FGMA15	Fuse GMA 15 A	-	60095	1		
2	492.00035-2	Main board (440 lb)	-	60095	1	For V4 only	K8
	492.00035-7	Main board (600 lb)				For V4i only	
3	200.14240	PCB support	-	60095	1	for 492.00035-X only	
4	200.05035	Adaptor Pull Chain	-	60095	1		
5	000.01343	26" Red Elastic Cord			1		
6	000.01370	Emergency cord end "insert"			1		
7	000.01375	Emergency cord end "sheath"			1		
8	000.02590	M5 X 20 zinc plated taptite screw			3		
9	402.00032	Wire kit	-	60095	1		
10	499-03072	Main Board (440 lb)	60096	-	1	For V4 only	K9
	499-02072	Main Board (600 lb)				For V4i only	
11	200.19506	PCB support	60096	-	1	For 499-0X072 only	
12	000.00032	3.0 x 10 plastite, zinc plated screw	60096	-	2		
13	200.19508	Emergency stop cord insert	60096	-	1		K10
14	402.00060	Wire Harness for toggle switch	60096	-	1		
15	402.00061	In-line Fuse Harness for Batteries	60096	-	1		
16	402.00062	Power Cable	60096	-	1		
17	460.00061	15A DPST Toggle Switch	60096	-	1		

REPLACEMENT KITS

Kit	Part #	Description	Included Items
K8	492-00035-2-B	Main board (440 lb- SN < 60096)	D1-D2, D4-D7
	492-00035-7-B	Main board (600 lb - SN < 60096)	
K9	499-03072-B	Main board (440 lb - SN > 60095)	D5-D7, D10-D13, D17
	499-02072-B	Main board (600 lb - SN > 60095)	
K10	700-01343	Emergency Stop Cord Assembly	D5-D7, D13

Parts Designation

E - Service Parts/Accessories



E SERVICE PARTS/ACCESSORIES						
Item	Part #	Description	From	To	Quantity	Remarks
1	700-13800	6-Button hand control - IPX4			1	
	700-13805	6-Button hand control - IPX7				
2	700-13820	2-Button hand control - IPX4			1	
	700-13825	2-Button hand control - IPX7				
3	000.03950	8 mm - 2 mm core o-ring			1	
4	000.03975	8 mm short allen key			1	
5	700-15501	Universal Charger - White			1	
6	700-24201	Universal charger			1	
7	402.15508	Charger extension 2.5 DC			1	Compatible with 700-24201
8	700-15522-0	Charge station 2.5 DC			1	Compatible with 700-24201
9	700.15500	KWIKtrak charger Kit			1	
10	700.15520	Charge station RCA			1	Compatible with 700.15500
11	-	Charger Box			1	
12	000.00655	Plastic Anchor #10-12			2	
13	000.00645	Tap Screw St4.8 X 19 Phillips			2	
14	225.15540	Contact Box Plate			1	
15	402.15505	Charger Extension Cord - RCA			1	Compatible with 700.15500
16	402.00001	Cable Classe 2 (UL)			-	
17	402.00002	Cable Classe 2 (JP)			-	
18	402.00003	Cable Classe 2 (CE)			-	
19	402.00004	Cable Classe 2 (AU)			-	
20	402.00005	Cable Classe 2 (UK)			-	
21	700-02403	12V 5AH battery replacement kit			1	Include 2 batteries
	403.10500	12V 5AH battery			2	
22	700.14900	BHM Rail Guiding Wheel Kit			-	For BHM rail option
23	001.14150	V4i Instructions For Use			1	
	001.14000	V4 Instructions For Use				
24	405-20803	Ferrite for Hand Control			1	
25	362.14000	Strap			1	
26	P8100	Food Grade Type Grease			-	
27	005.00374	Pin Extractor			-	

ARJOHUNTLEIGH

GETINGE GROUP

GETINGE GROUP is a leading global provider of products and systems that contribute to quality enhancement and cost efficiency within healthcare and life sciences. We operate under the three brands of **ArjoHuntleigh**, **GETINGE** and **MAQUET**. **ArjoHuntleigh** focuses on patient mobility and wound management solutions. **GETINGE** provides solutions for infection control within healthcare and contamination prevention within life sciences. **MAQUET** specializes in solutions, therapies and products for surgical interventions and intensive care.

www.ArjoHuntleigh.com



ArjoHuntleigh AB
Verkstadsvägen 5
241 38 Eslöv
SWEDEN