

ARJOHUNTLEIGH

GETINGE GROUP

Voyager Duo, V5 Duo Parts List



CE

Design Policy and Copyright

® and ™ are trademarks belonging to the ArjoHuntleigh group of companies.
© ArjoHuntleigh 2012.

As our policy is one of continuous improvement, we reserve the right to modify designs without prior notice. The content of this publication may not be copied either whole or in part without the consent of ArjoHuntleigh.

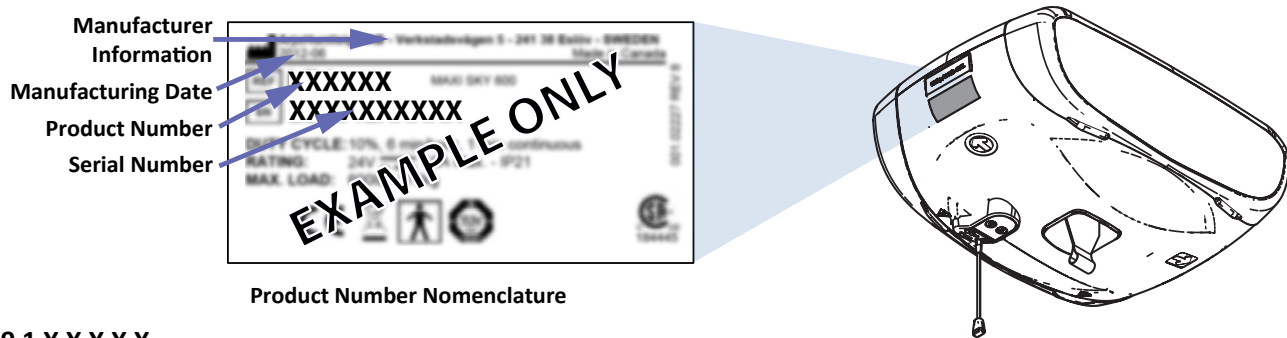
General Information

Before ordering spare parts, study the exploded view closely and make sure that you are familiar with all the spare parts involved.

Before contacting the ArjoHuntleigh Parts Sales department, always have the following information at hand:

- Correct name of the product (see Product Identification Label below).
- The serial number of the product (see Product Identification Label below).

Product Identification Label



The diagram shows a rectangular product identification label on the left and a line drawing of a product on the right. A blue arrow points from the label to the product. The label contains the following text: "Verkebrtsbyrågen 5 - 261 38 Esköv - SWEDEN", "XXXXXX", "XXXXXXXXXX", "DUTY CYCLE: 10%, 8 min", "RATING: 24V", "MAX. LOAD: 250 kg", and "IP21". There are also some icons and a logo on the label. The product drawing shows a top-down view of a device with a handle and a button.

Manufacturer Information

Manufacturing Date

Product Number

Serial Number

EXAMPLE ONLY

Product Number Nomenclature

9 1 X X X X X

INTERNAL FUNCTION:
0 - 4 FUNCTION
2 - 2-FUNCTION

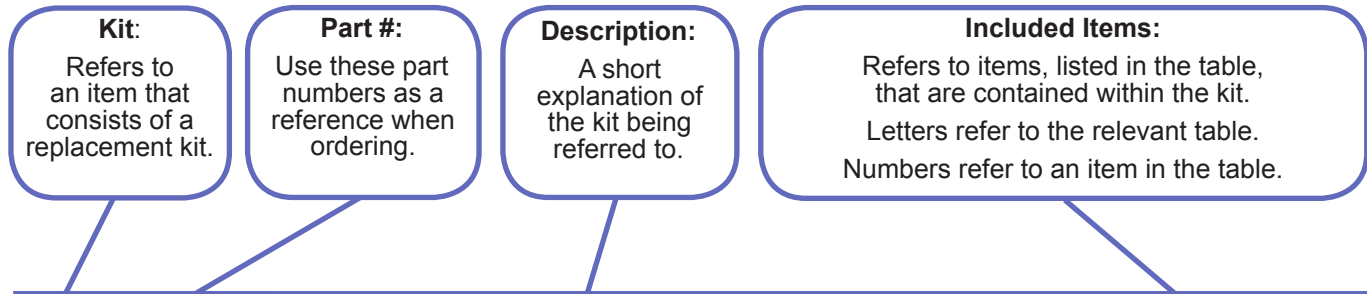
RAIL SYSTEM COMPATIBILITY
0 - KWIKTRAK
B - BHM
G - GPROFILE
M - M PROFILE
P - P PROFILE
W - W PROFILE
T - T PROFILE

MODEL:
13 - VOYAGER DUO
23 - V5 DUO

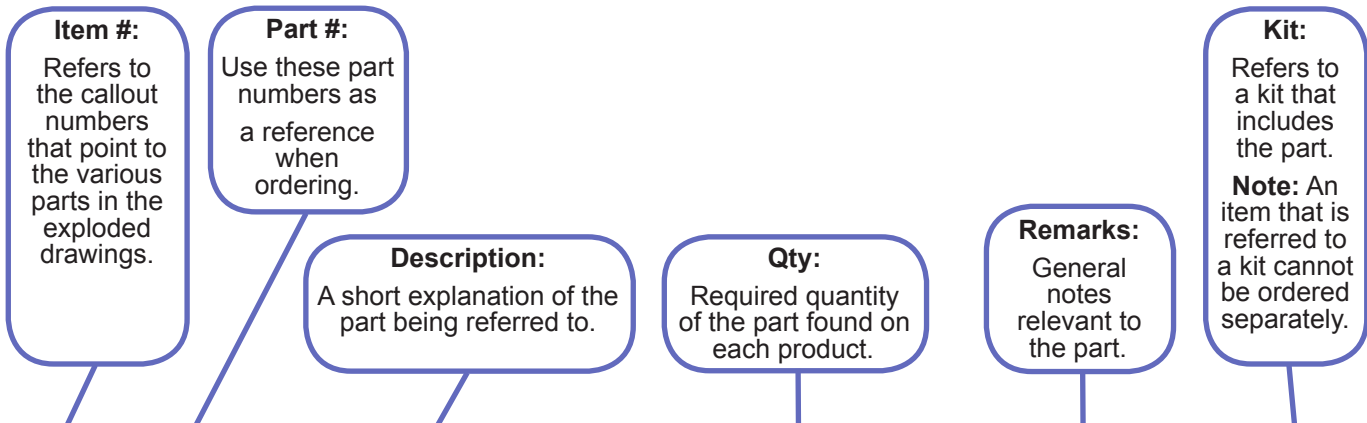
FOR DETAILS ON RAIL PROFILES, REFER TO DOCUMENT No. 001-14250

Modifications made to the equipment without ArjoHuntleigh's express acknowledgement will invalidate supplier's product liability.

How to Read Parts List Tables



A <i>REPLACEMENT KITS TABLE</i>			
Item	Part #	Description	Included Items
K1	700-00001	FIRST REPLACEMENT KIT	B2
K2	700-00002	SECOND REPLACEMENT KIT	B6-B7
K3	700-00003	THIRD REPLACEMENT KIT	B1, B3-B4
K4	700-00004	FOURTH REPLACEMENT KIT	B5



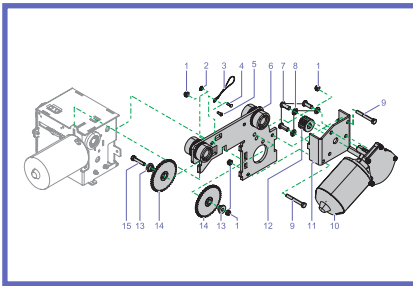
B <i>PARTS DETAIL TABLE</i>					
Item	Part #	Description	Qty	Remarks	Kit
1	001-00001	FIRST PART	2		K3
2	001-00002	SECOND PART	2		K1
3	001-00003	THIRD PART	2		K3
4	001-00004	FOURTH PART	1		K3
5	001-00005	FIFTH PART	2		K4
6	001-00006	SIXTH PART	8		K2
7	001-00007	SEVENTH PART	2		K2

Legend

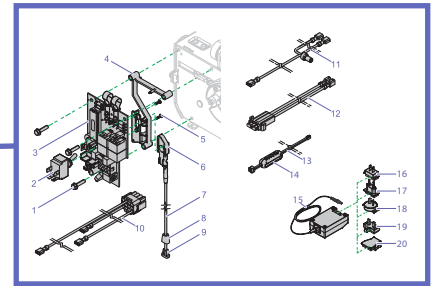
- 1 → Callout for single item
- ① --- Callout for assembly kit
- Assembly lines above components
- Assembly lines behind components
- Text in Green Highlights changes from previous revision

Table of Contents

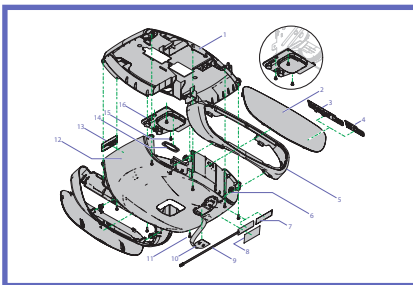
Exploded Views	2
A - Replacement Kits	2
B - General Parts / Accessories	4
C - Housing	5
D - Transmission	6
E - Trolley	7
F - Electrical	8
Track profile details	9



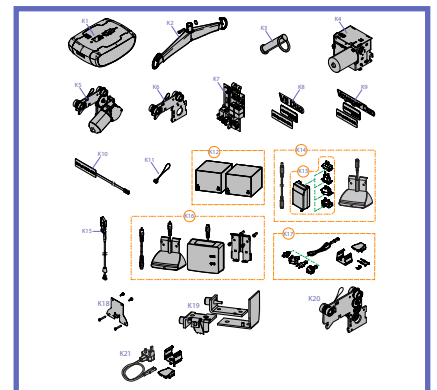
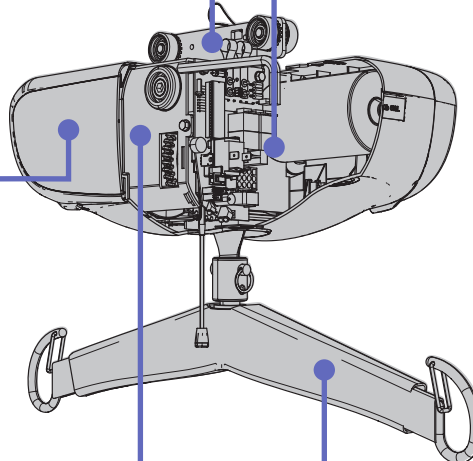
“E - Trolley”, page 7



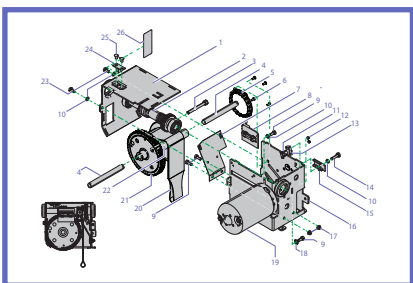
“F - Electrical”, page 8



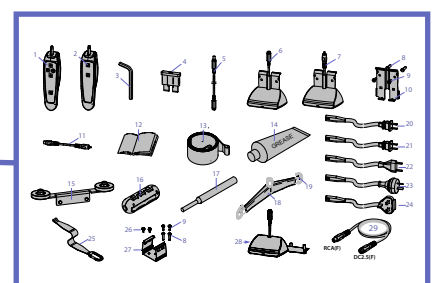
“C - Housing”, page 5



“A - Replacement Kits”, page 2



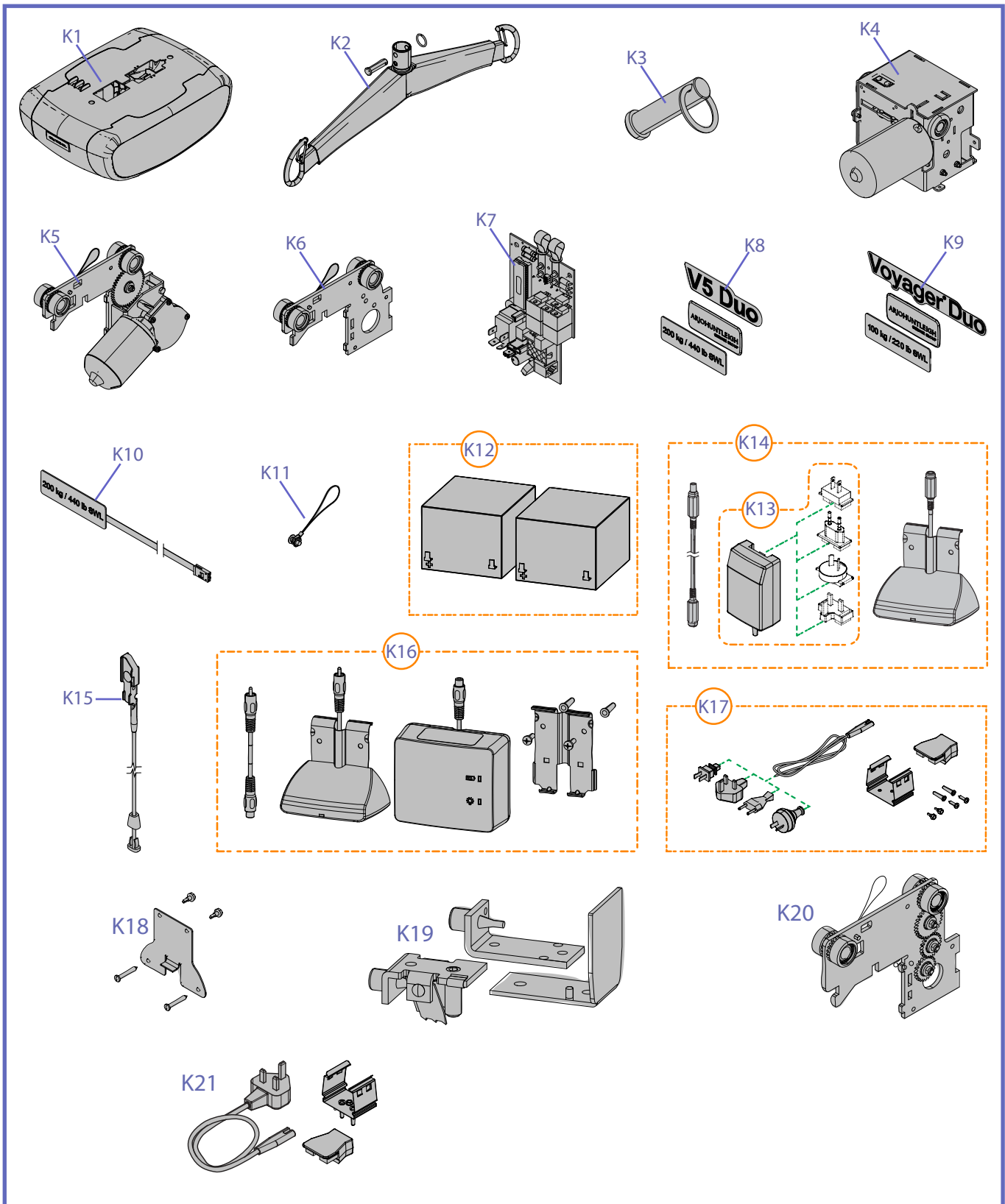
“D - Transmission”, page 6



“B - General Parts / Accessories”, page 4

Exploded Views

A - Replacement Kits



A

REPLACEMENT KITS

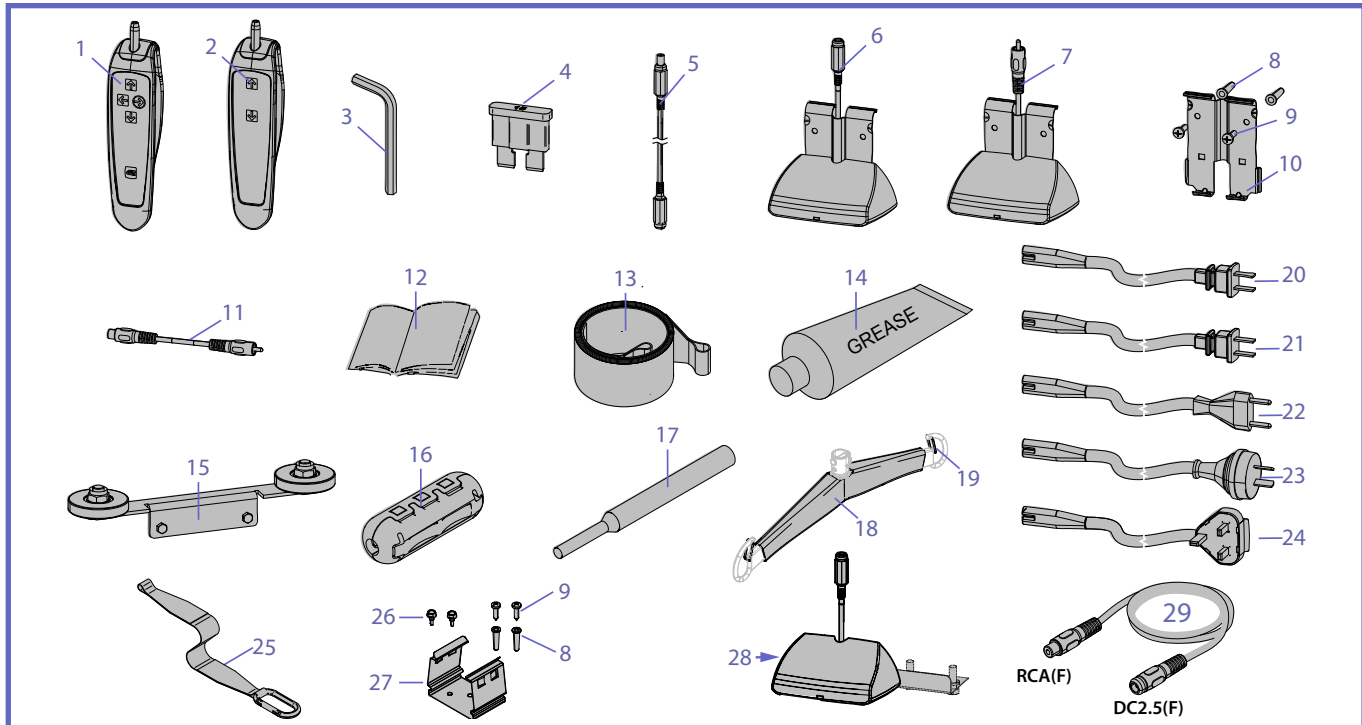
ITEM	PART No	DESCRIPTION	INCLUDED ITEMS
K1	700-19523	V5 Duo Housing Kit	C1 - C2, C4 - C16
	700-19521	Voyager Duo Housing kit	C1 - C3, C5 - C16
K2	700.05491	Spreader bar with Blue Cushion top	-
K3	700-00905	Clevis Pin & Split Ring	-
K4	700.14510	Transmission kit	D1 - D26
K5	700-14026	4-FB KWIKtrak, "B/M/P" track profile trolley*	E1 - E15
	700.14045	4-FB "G/W/T" track profile trolley*	E1 - E15
K6	700-14021	2-FB KWIKtrak, "B/M/P" track profile trolley*	E1 - E6
	700.14040	2-FB "G/W/T" track profile trolley*	E1 - E6
K7	499-01072-B	Circuit board replacement kit	F2 - F5
K8	700-19524	V5 Duo Label Kit	C4, C7, C13
K9	700-19520	Voyager Duo Labels kit	C3, C7, C13
K10	700-19511	200 kg key assembly	C9
K11	700.14015	Anti-static kit	E1 - E5
K12	700-02403	Battery kit	2 x (403.10500) 12V 5AH
K13	700-15568	Universal Charger	F15 - F19
	700-15561	Charger - UL/JP	F15, F16
K14	700-15511	KWIKtrak Universal Charger Kit	B5, B6, F15 - F19
	700-15512	Charger Kit - Universal - Other Track	B5, B28, F15 - F19
K15	700-01343	Emergency stop cord	F6 - F9
K16	700.15500	KWIKtrak charger Kit	B7 - B11, Charger Box
K17	700-15551	Charger Support Kit - UL	B8, B9, B20, B26, B27, F20
	700-15552	Charger Support Kit - JP	B8, B9, B21, B26, B27, F20
	700-15555	Charger Support Kit - CE/AU/UK	B8, B9, B22 - B24, B26, B27, F20
K18	700.15565	Extended Charger Bracket Kit	Includes Hardware
K19	700.05320.15	End Stopper for "M" Track Profile*	-
	A5320	End Stopper for "B" Track Profile*	-
	A5320-C	End Stopper for "G/T/W" Track Profile*	-
	700.11005	End Stopper for KWIKtrak & "P" Track Profile*	-
K20	700-14066	Extended KWIKtrak Trolley	-
K21	600-24285	Protection Fuse Kit	-

* Refer to "Track profile details." on page 9

* Item B15 is required for B Track profile.

* The Protection Fuse kit K21 is required for all installations in UK.

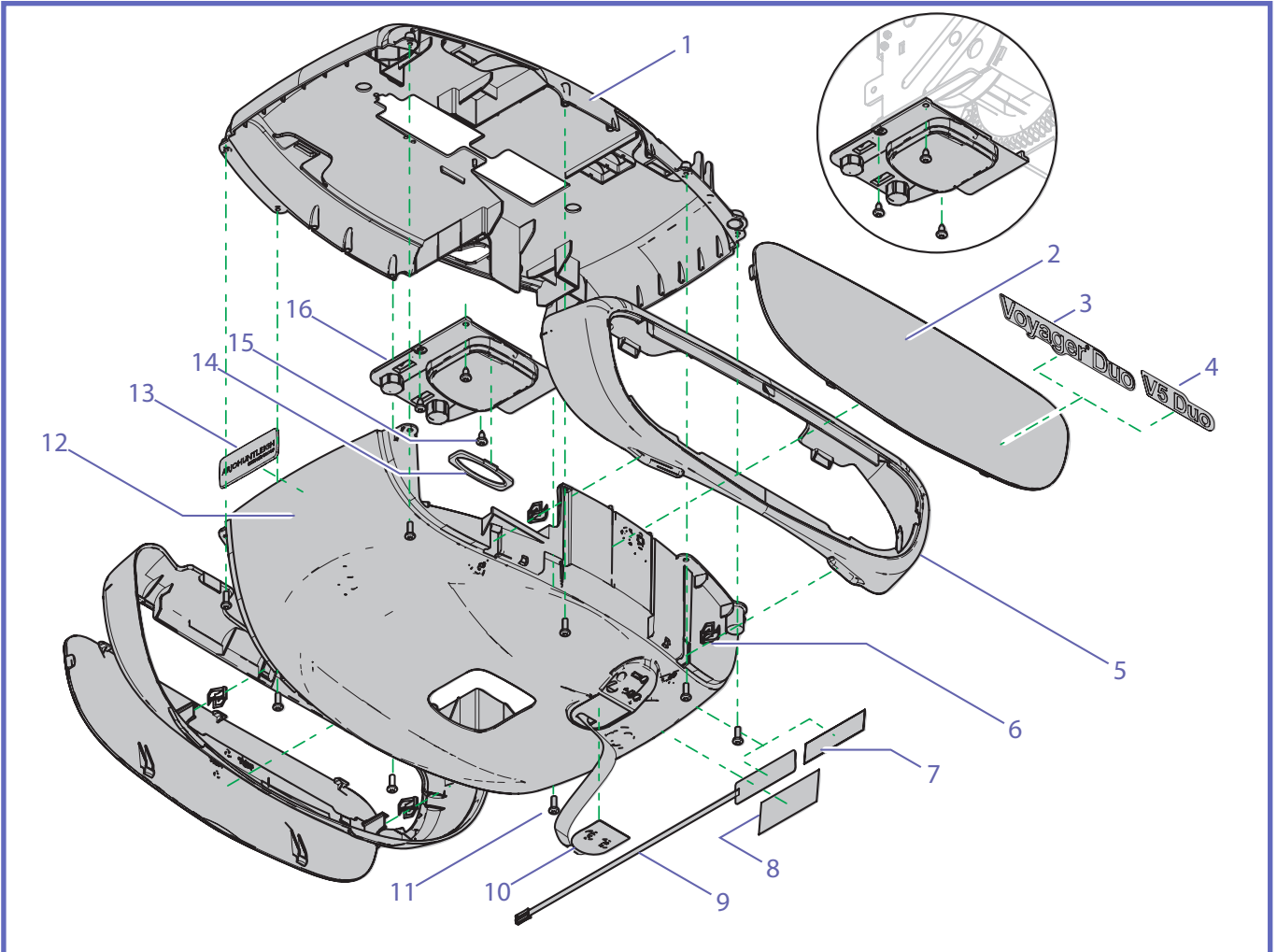
B - General Parts / Accessories



B GENERAL PARTS / ACCESSORIES

ITEM	PART №	DESCRIPTION	QTY	REMARKS
1	700-13805	4-function hand control	1	
2	700-13865	2-function hand control	1	
3	600-03975	8 mm zinc plated short Allen key	1	
4	480.00115	Fuse 15A	1	
5	402.15508	Charger extension DC 2.5	1	Compatible with 700-24201 and 700-15567 (K13)
6	700-15522-0	Charge station DC 2.5	1	
7	700.15520	Charge station RCA	1	Compatible with 700.15500 (K16)
8	000.00655	Plastic anchor #10-12	2	
9	000.00645	Tap screw ST 4.8 x 19 Phillips	2	
10	225.15540	Contact box plate	1	
11	402.15505	Charger extension cord - RCA	1	
12	001.19520	Voyager Duo Instructions for Use	1	
	001-16005	V5 Duo Instructions for Use		
13	362-15670	Strap	1	
14	P8180	Food grade type grease	-	
15	700.14900	BHM track guiding wheel kit	-	For "B" track profile
16	405-20803	Ferrite for Hand Control	1	
17	005.00374	Pin extractor	-	
18	361.05491	Blue spreader bar cushion top	1	
19	200.05466	Safety latch	2	
20	402.00001	Cable Class 2 (US)	-	
21	402.00002	Cable Class 2 (JP)	-	
22	402.00003	Cable Class 2 (CE)	-	
23	402.00004	Cable Class 2 (AU)	-	
24	402.00005	Cable Class 2 (UK)	-	
25	700.14010	1 Meter Strap Extension	-	
26	000.02515	Screw self tap ST4.8 X 13 HEX	-	
27	225-15563	Charger Support	-	
28	700-15522-1	Charge Station 2.5DC - Other Tracks	-	
29	402.15507	Cable Adaptor RCA(F) - DC2.5(F)	-	Used to connect charger with charging stations featuring a RCA connector

C - Housing

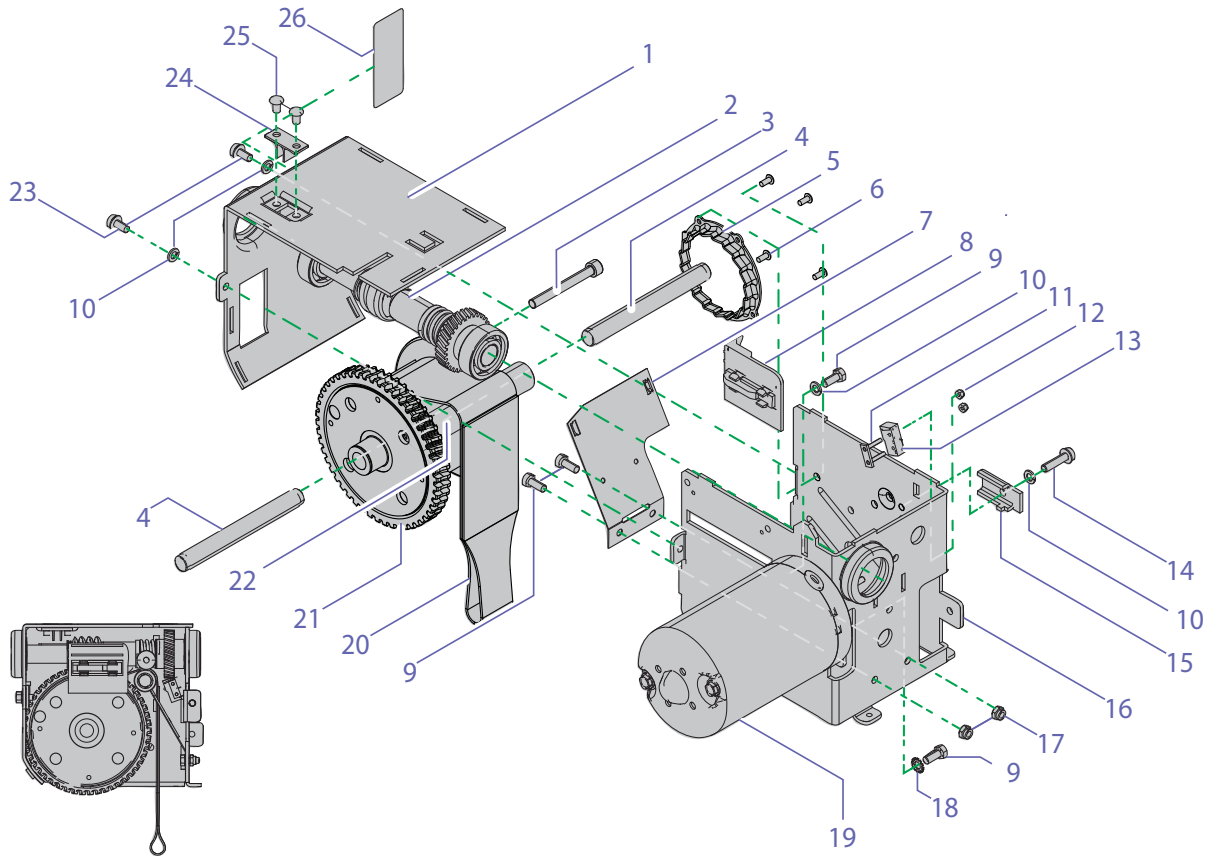


C

Housing

ITEM	PART №	DESCRIPTION	QTY	REMARKS	KITS
1	200.19500	Top cover	1		
2	200.19503	Side panel	2		
3	001.19500	"Voyager Duo" Sticker	2		K9
4	001-19502	"V5 Duo" Sticker	2		K8
5	200.19505	Side cover with clip	2		
6	000.14520	Trim clip, panel	4		
7	001.19510	Service/100 kg SWL label	1		
8	001.19531	Voyager Duo Name Plate	1		
	001-19570	V5 Duo Name Plate			
9	001.19511	200 kg key assembly	-		K10
10	001.19506	Up-down membrane	1		
11	000.02480	4.0 X 12 plastite tap screw	8		
12	200.19501	Bottom cover	1		
13	8418699	ArjoHuntleigh Logo Sticker	1		
14	206-19509	Strap inlet insert	1		
15	000.00635	4.2 X 9.5 St Torx tap screw	3		
16	200.19504	Strap inlet	1		

D - Transmission

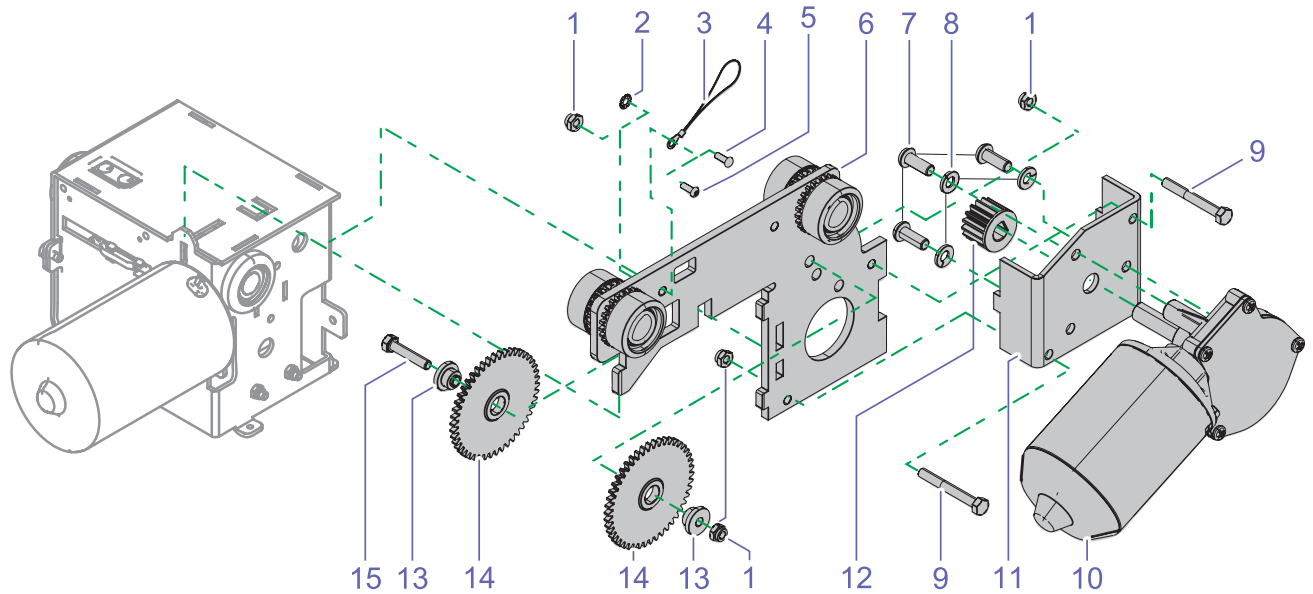


D

TRANSMISSION

ITEM	PART №	DESCRIPTION	QTY	REMARKS	KITS
1	203.14010	Frame top part	1		K4
2	700.14100	Shaft assembly	1		K4
3	000-03766	Screw M8 x 70 SOC ZP	1	Starting Serial № 01407	K4
4	203.14050	12 mm shaft	2		
5	203-15618	Emergency Brake Disk with teeth	1	Starting Serial № 01407 Replace PN 700.13355	
6	010.00899	Rivet	4	Starting Serial № 01407	
7	200.14070	Limit plate	1		
8	200.14230	CBLM Plate	1		K4
9	000.02550	M5 X 12 zinc plated hex screw	4		
10	000.02900	M5 zinc plated lock washer	4		
11	200.14090	Limit fixation bracket	1		
12	000.01970	M2.5 Zinc plated locknut	2		
13	465.00005	0.110 limit switch terminal	1		
14	000.02590	M5 X 20 zinc plated Taptite screw	1		
15	203.14030	Lock trolley	1		
16	203.14000	U-shape frame	1		K4
17	000.02800	M5 zinc plated locknut	2		
18	000.02915	M5 zinc plated star washer	1		
19	400.14000	Vertical Motor	1		
20	362-15670	Strap	1		
21	600-13351	Drum	1		K4
22	200.14060	Strap roller	1		
23	000.02562	M5 X 10 zinc plated Taptite screw	2		
24	200.14260	SSRS enabler	1		K4
25	000.00890	3/16" 0-1/8 aluminium rivet	2		
26	001-10012	Lot/Serial Number Label	1		K4

E - Trolley

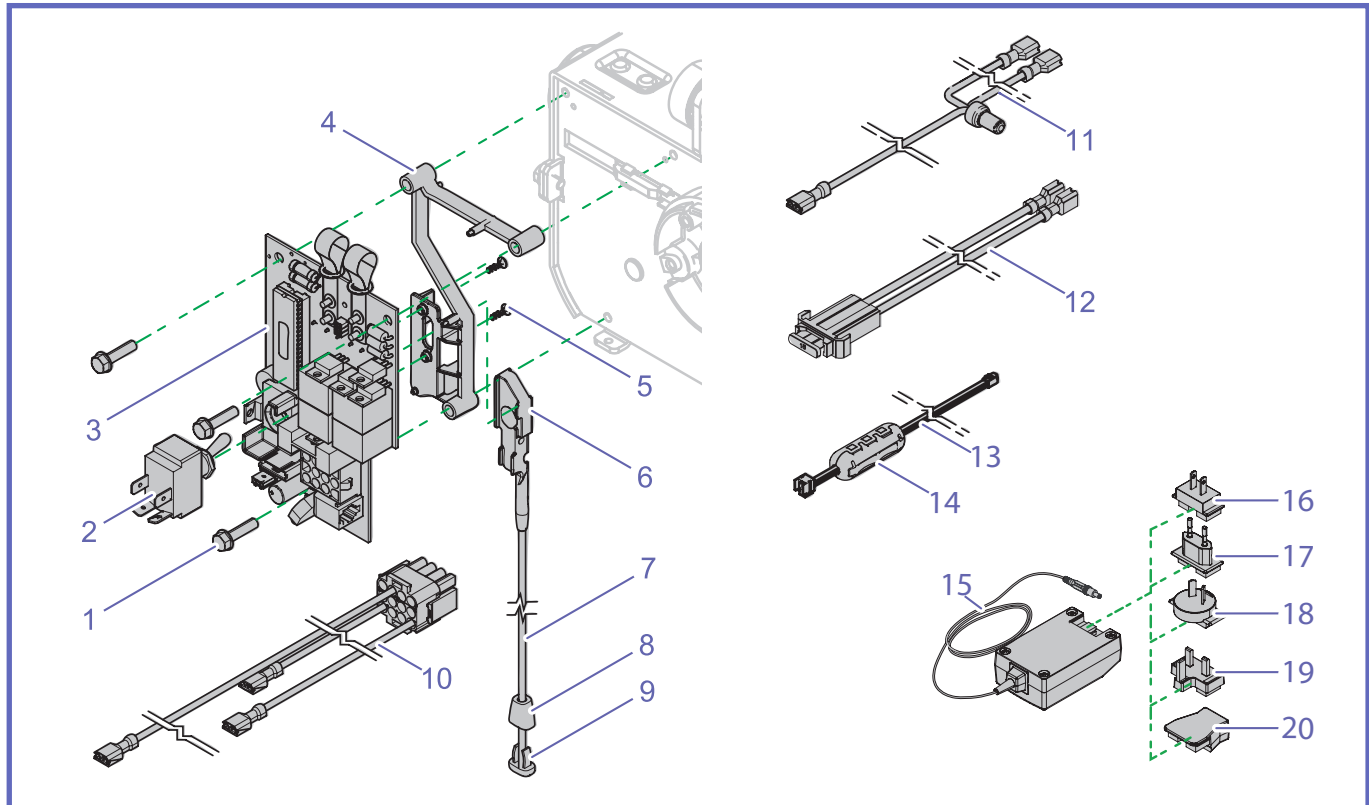


E

TROLLEY

ITEM	PART №	DESCRIPTION	QTY	REMARKS	KITS
1	000.02800	M5 zinc plated locknut	5		
2	000.02915	M5 zinc star washer	2		
3	402.14015	Antistatic wire	1		
4	000.00899	3/16 1/8-1/4 steel rivet	1		
5	000.02550	M5 x 12 Hex Screw	1		
6	700-14021	2-function trolley	1		K6
7	000.03105	M6 X 16 zinc plated button screw	3		
8	000.03420	M6 zinc plated lock washer	3		
9	000.02655	M5 X 40 zinc plated hex screw	2		
10	E0006	Gear motor	1		
11	203.14040	Left/right motor plate	1		
12	200.14250	Left/right motor gear	1		
13	203.14220	Bushing idler	2		
14	200.14210	46 tooth idler	2		
15	000.02610	M5 X 25 zinc plated hex screw	1		

F - Electrical

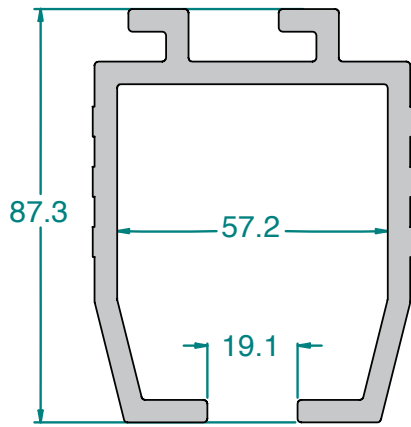


F

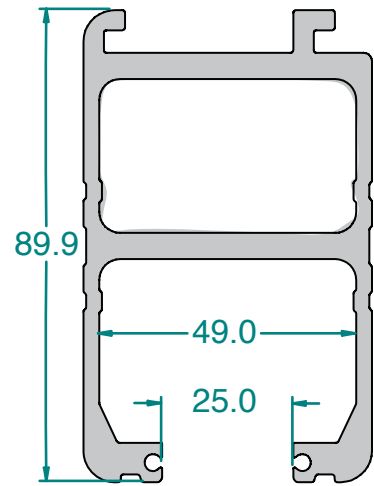
ELECTRICAL

ITEM	PART No	DESCRIPTION	QTY	REMARKS	KITS
1	000.02590	M5 X 20 Taptite screw	3		
2	460.00061	15A 0.25TAB DPST toggle switch	1		
3	499-01072	Motor control PCBA	1		K7
4	200.19506	PCB support	1		
5	000.00032	3.0 X 10 Plastite, zinc plated flat Torx screw	2		
6	200.19508	Emergency stop insert	1		K15
7	000.01343	26" red elastic cord	1		K15
8	000.01375	Cord "insert" tip	1		
9	000.01370	Cord end "insert"	1		
10	402.00062	Wire harness power cable	1		
11	402.00060	Wire harness switch - battery	1		
12	402.00061	In-line fuse for battery wire harness	1		
13	402.19500	Hand control to UMC harness	1		
14	405-20803	Ferrite for Hand Control	1		
15	700-15567	Universal charger			
16	200-15561	Primary adaptor - US/JP		Only one primary adaptor is supplied with the lift according to country of destination	
17	200-15563	Primary adaptor - CE			
18	200-15564	Primary adaptor - AU			
19	200-15565	Primary adaptor - UK			
20	200-15569	Primary adaptor - IEC		For use with appropriate power cord (item B20 - B24)	

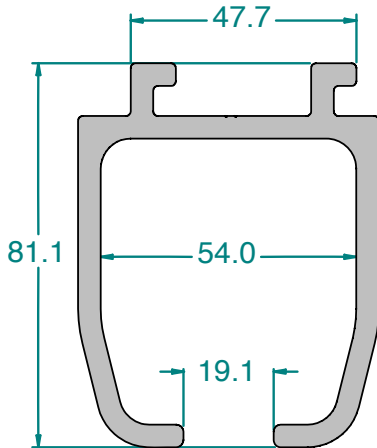
Track profile details.



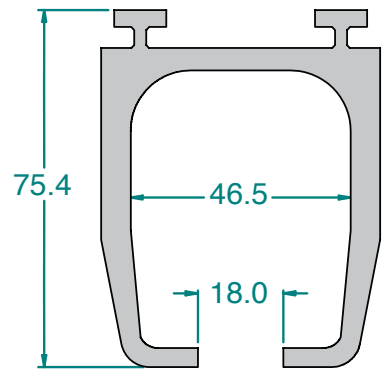
B - Profile



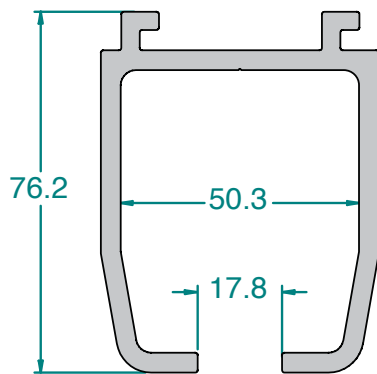
P - Profile



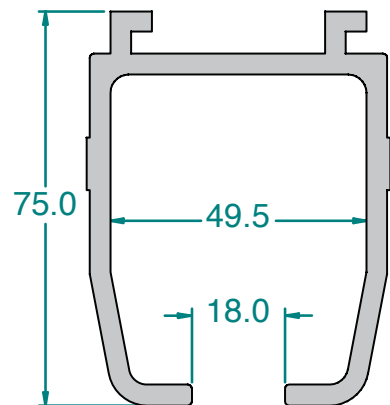
G - Profile



T - Profile



M - Profile



W - Profile

ARJOHUNTLEIGH

GETINGE GROUP

GETINGE GROUP is a leading global provider of products and systems that contribute to quality enhancement and cost efficiency within healthcare and life sciences. We operate under the three brands of **ArjoHuntleigh**, **GETINGE** and **MAQUET**. **ArjoHuntleigh** focuses on patient mobility and wound management solutions. **GETINGE** provides solutions for infection control within healthcare and contamination prevention within life sciences. **MAQUET** specializes in solutions, therapies and products for surgical interventions and intensive care.

www.ArjoHuntleigh.com

 **ArjoHuntleigh AB**
Verkstadsvägen 5
241 38 Eslöv
SWEDEN