

ARJOHUNTLEIGH

GETINGE GROUP

Voyager Portable Parts List



CE

Design Policy and Copyright

® and ™ are trademarks belonging to the ArjoHuntleigh group of companies.
© ArjoHuntleigh 2012.

As our policy is one of continuous improvement, we reserve the right to modify designs without prior notice. The content of this publication may not be copied either whole or in part without the consent of ArjoHuntleigh.

General Information

Before ordering spare parts, study the exploded view closely and make sure that you are familiar with all the spare parts involved.

Before contacting the ArjoHuntleigh Parts Sales department, always have the following information at hand:

- Correct name of the product (see Product Identification Label below).
- The serial number of the product (see Product Identification Label below).

Product Identification Label

Manufacturer information
Manufacturing date
Product Number
Serial Number

ArjoHuntleigh AB - Verkstadsvagen 5 - 241 38 Estov - SWEDEN
2012-06
VOYAGER PORTABLE
REF XXXXXXXX
SN XXXXXXXXXX
DUTY CYCLE 10%, 6 min / 10 min continuous
RATING 24V Max - IPX0
MAX. LOAD 100 lb / 45 kg
001 00495 REV 5
184446

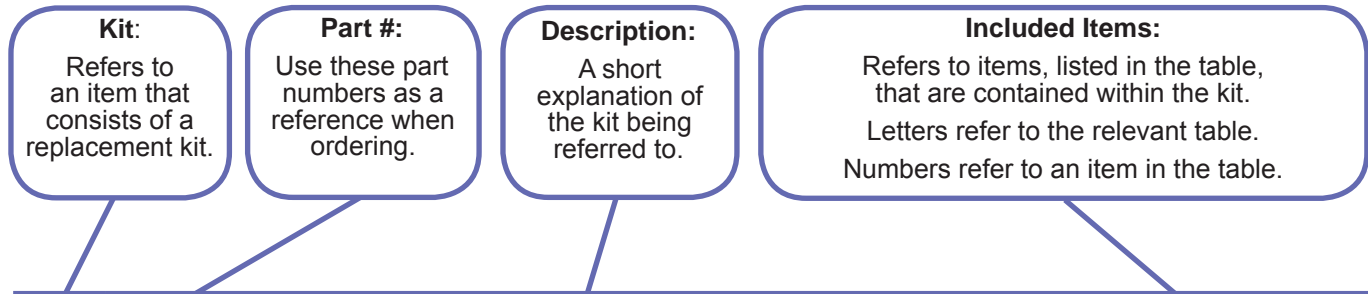
Product Number Codification

980X00X-XX

- Charger Configuration
1 - UL
5 - UK / UL
9 - UL
- Service Weight
0 = 440 LB (200 kg)
1 = 220 LB (100 kg)
- Product Designation
980 = Voyager

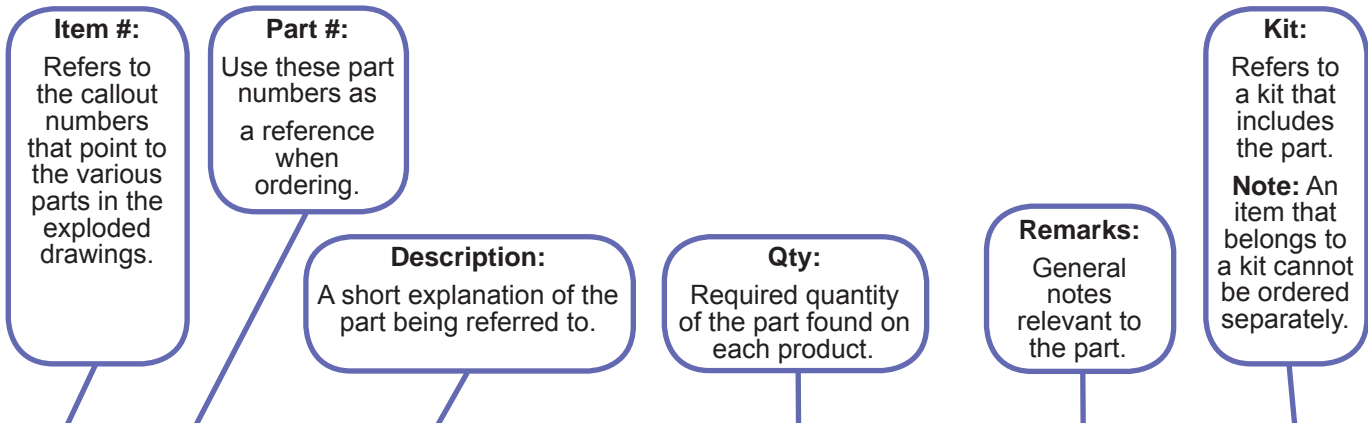
Modifications made to the equipment without ArjoHuntleigh's express acknowledgement will invalidate supplier's product liability.

How to Read Parts List Tables



A *REPLACEMENT KITS TABLE*

Item	Part #	Description	Included Items
K1	700-00001	FIRST REPLACEMENT KIT	B2
K2	700-00002	SECOND REPLACEMENT KIT	B6-B7
K3	700-00003	THIRD REPLACEMENT KIT	B1, B3-B4
K4	700-00004	FOURTH REPLACEMENT KIT	B5



B *PARTS DETAIL TABLE*

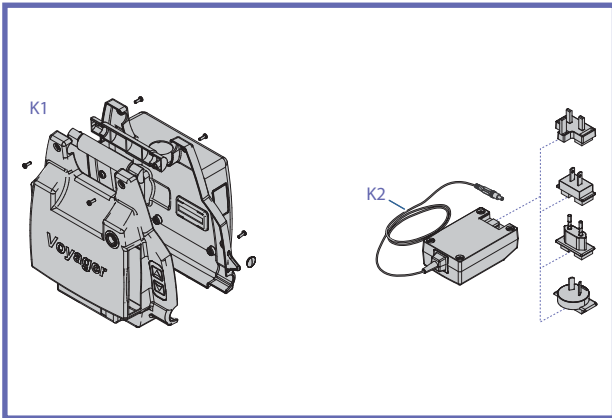
Item	Part #	Description	Qty	Remarks	Kit
1	001-00001	FIRST PART	2		K3
2	001-00002	SECOND PART	2		K1
3	001-00003	THIRD PART	2		K3
4	001-00004	FOURTH PART	1		K3
5	001-00005	FIFTH PART	2		K4
6	001-00006	SIXTH PART	8		K2
7	001-00007	SEVENTH PART	2		K2

Legend

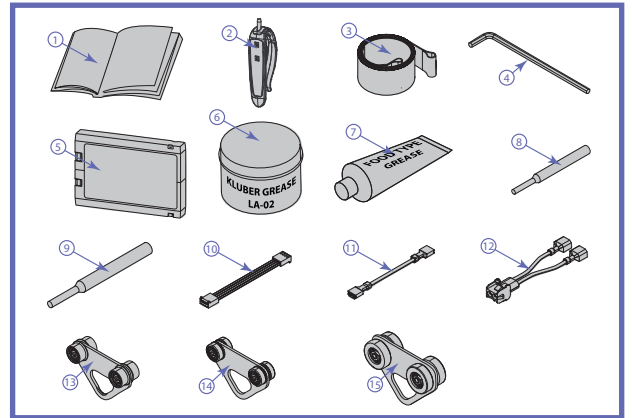
- 1 → Callout for single item
- ① - - Callout for assembly kit
- - - - Assembly lines above components
- - - - Assembly lines behind components
- Text in Green Highlights changes from previous revision

Table of Contents

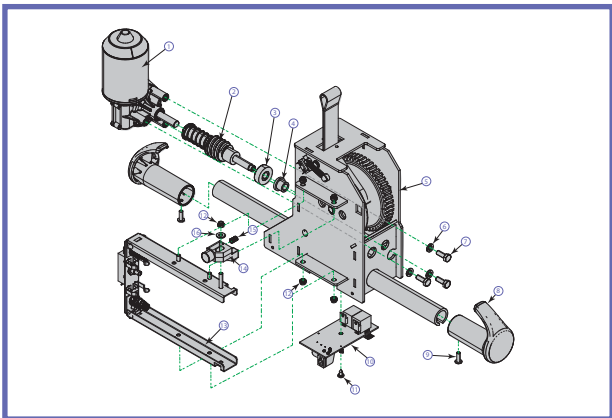
A - Replacement Kits	2
B - General Parts / Accessories	3
* Other Track Profile Details	4
C - Chassis	5
D - Chassis (cont.)	6
E - Housing	8
F - Charger / Charge Monitor	10



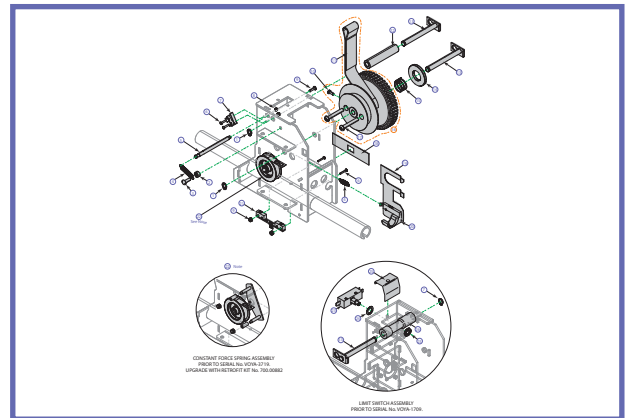
“A - Replacement Kits”, page 2



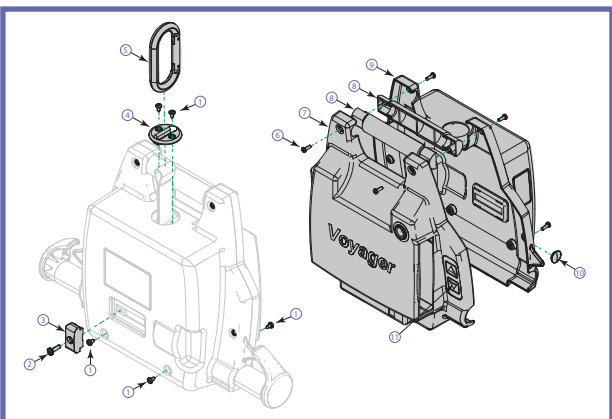
“B - General Parts / Accessories”, page 3



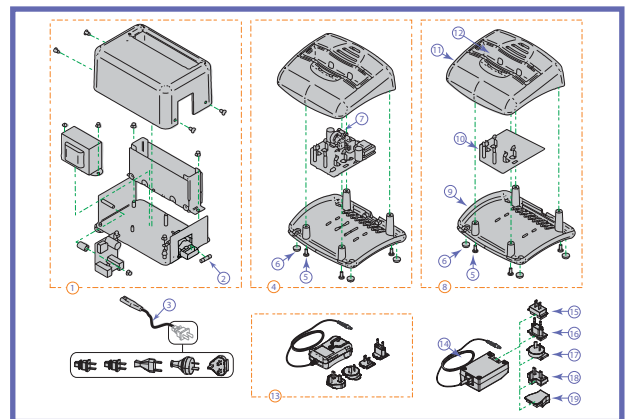
“C - Chassis”, page 5



“D - Chassis (cont.)”, page 6



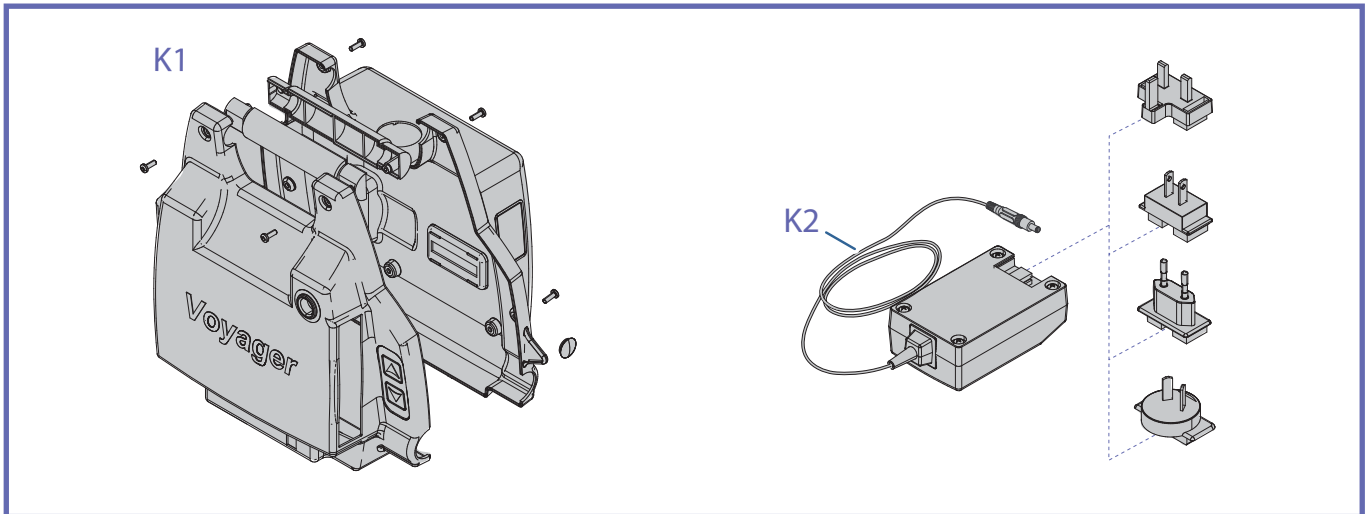
“E - Housing”, page 8



“F - Charger / Charge Monitor”, page 10

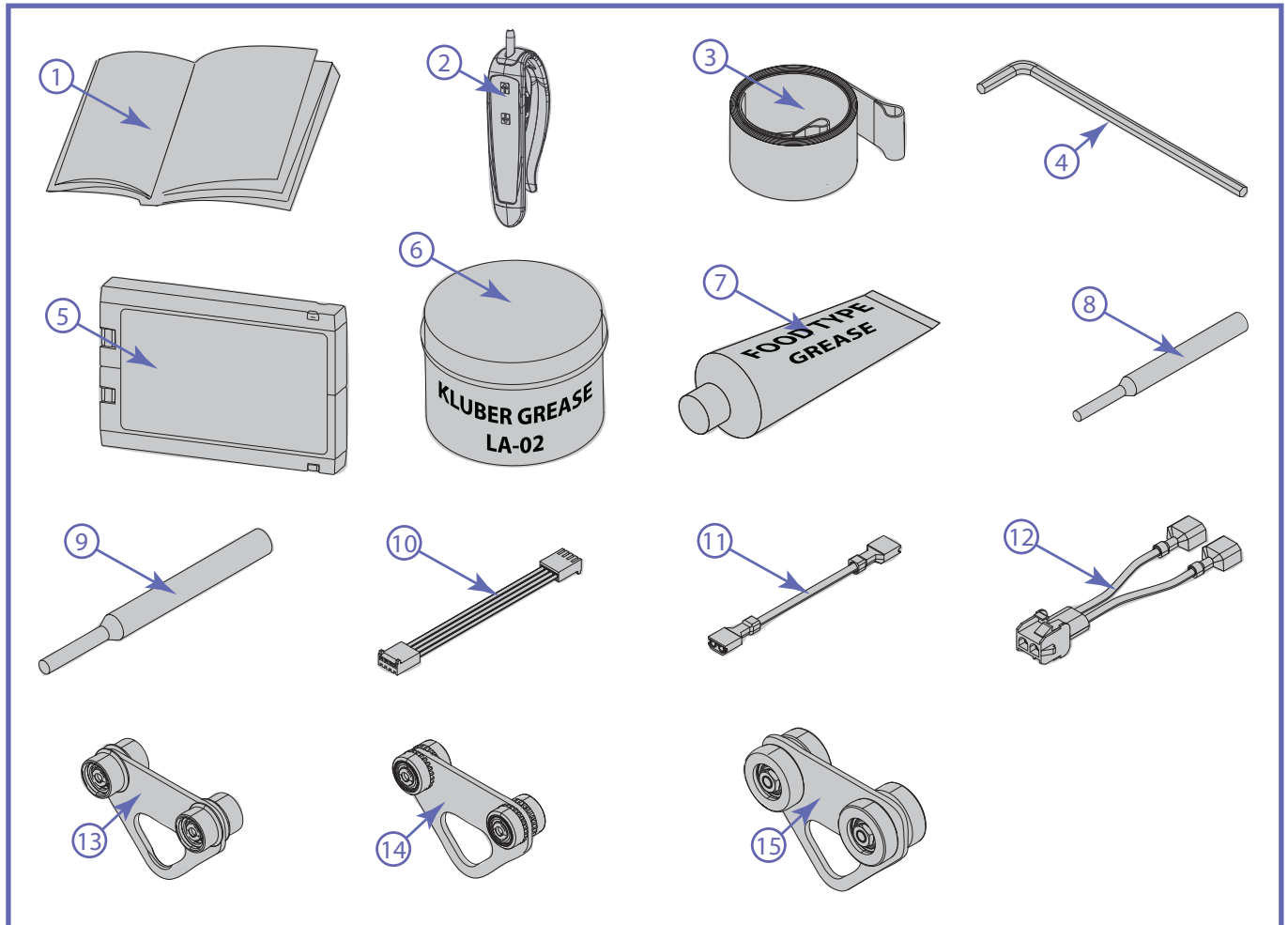
Exploded Views

A - Replacement Kits



A			
REPLACEMENT KITS			
ITEM	PART №	DESCRIPTION	INCLUDED ITEMS
K1	700.08170	VOYAGER CAB KIT	E6 - E11
K2	700-15568	Universal Charger	F14 - F18
	700-15561	Charger UL/JP	F14, F15

B - General Parts / Accessories

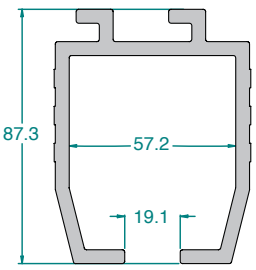
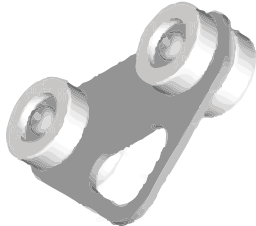
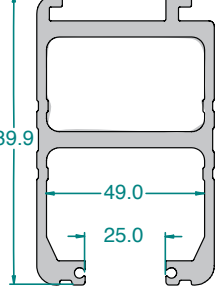
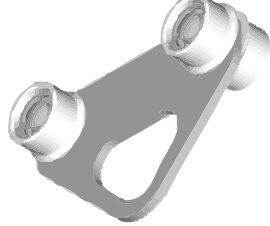
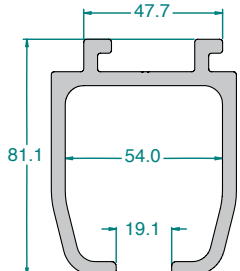
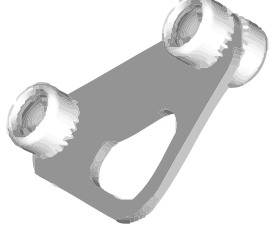
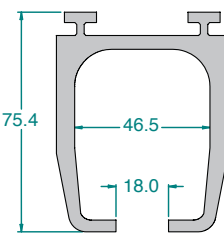
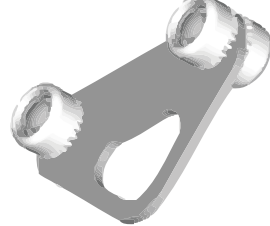
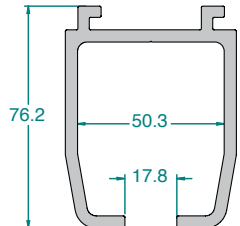
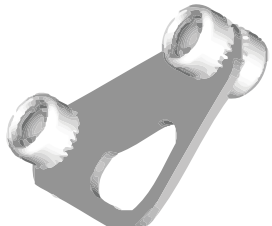
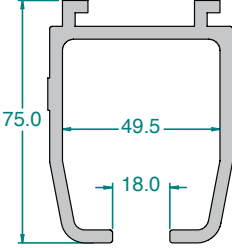
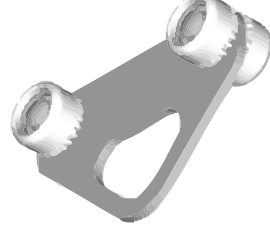


B

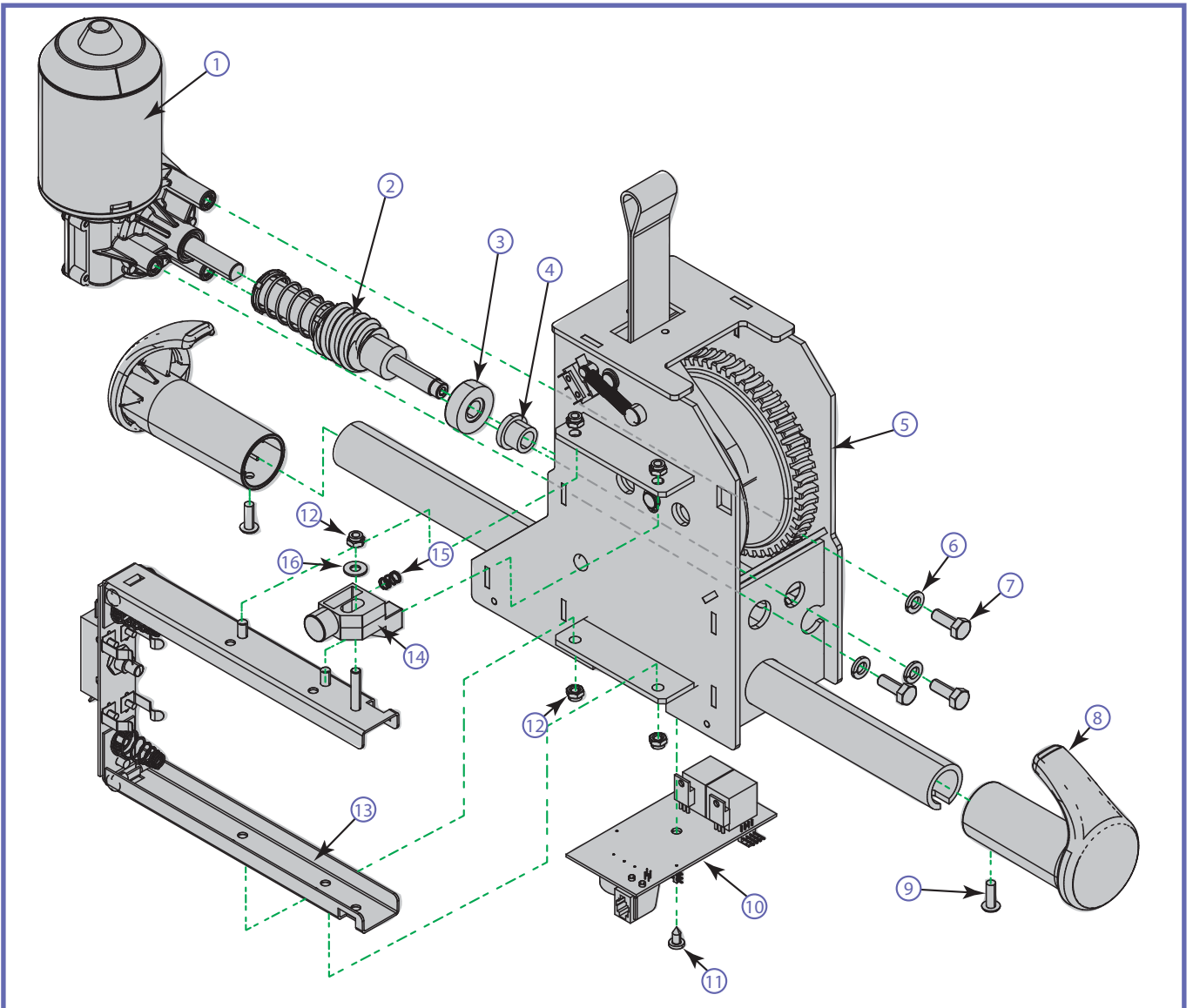
GENERAL PARTS / ACCESSORIES

ITEM	PART No	DESCRIPTION	QTY	REMARKS
1	001.08075	INSTRUCTION FOR USE	-	
2	700-13865	2 BUTTONS HANDSET FOR PORTABLE	-	
3	362.01365	PORTABLE LIFT BLACK STRAP	-	
4	203.02505	ALLEN KEY 4MM ZINC(420,500,VOYA)	-	
5	700-08500	REPLACEMENT BATTERY FOR VOYAGER	-	
6	P8190	KLUBER GREASE LA-02 0.4 Kg	-	For shafts only
7	P8180	GREASE LUBRIPLATE FGL-1 FOOD GRADE	-	
8	000.00002	MINI PIN EXTRACTING TOOL	-	
9	005.00374	PIN EXTRACTING TOOL	-	
10	402.11503	LIMIT SWITCH CABLE	-	
11	402.00064	BATTERY RACK SWITCH CABLE	-	
12	402.00035	MOTOR ADAPTOR CABLE	-	
13	700-10650-B	Trolley for KWIKtrak & "P" Profile Track	-	See "** Other Track Profile Details" on page 4.
14	700-110640-B	Trolley for "G/M/T/W" Profile Track	-	
15	A5900	Trolley for "B" Profile Track	-	

*** Other Track Profile Details**

 <p>B - Profile</p>	 <p>A5900</p>	 <p>P - Profile</p>	 <p>700-10650-B</p>
 <p>G - Profile</p>	 <p>700-10640-B</p>	 <p>T - Profile</p>	 <p>700-10640-B</p>
 <p>M - Profile</p>	 <p>700-10640-B</p>	 <p>W - Profile</p>	 <p>700-10640-B</p>

C - Chassis

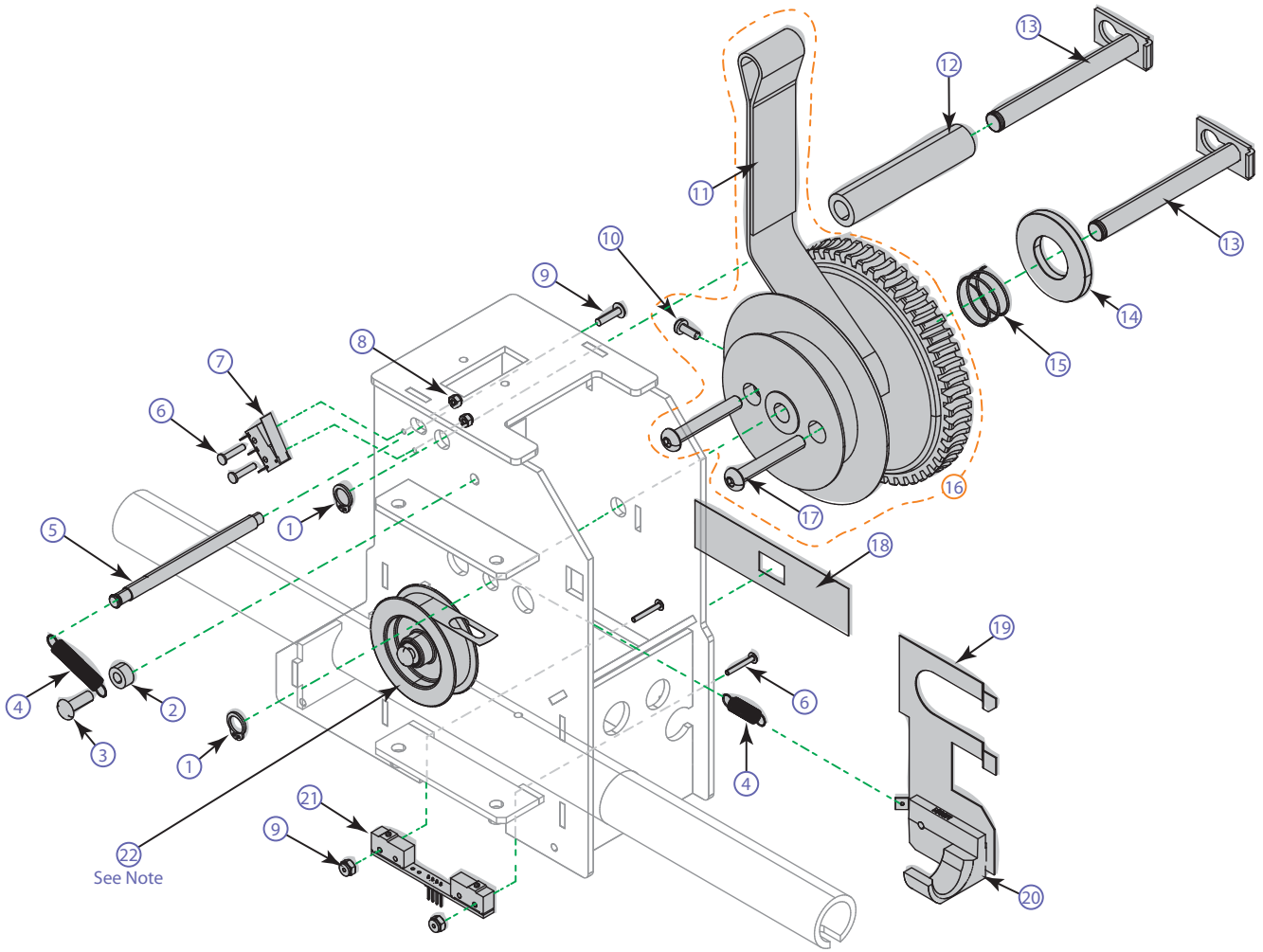


C

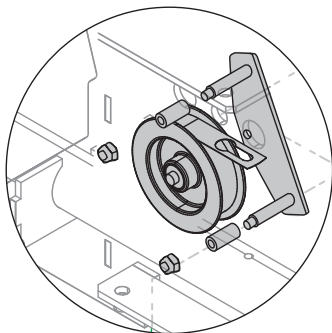
CHASSIS

ITEM	PART No	DESCRIPTION	QTY	REMARKS
1	E0006	PORTABLE GEAR MOTOR	1	
2	A8020-VOYA	SHAFT ASSEMBLY	1	
3	000.01083	THRUST BEARING 3/8	1	
4	000.01048	BRASS BUSHING 3/8 FLANGE	1	
5	202.08000	VOYAGER ALUMINIUM FRAME	1	
6	000.03420	LOCKWASHER M6 ZINC	3	
7	000.03095	SCREW M6 X 16 HEX	3	
8	200.08002	INJECT KNOB V1	2	
9	000.00897	POP RIVET 3/16 1/4-3/8 ALUM	2	
10	E8010	CIRCUIT FOR PORTABLE LIFT	1	
11	000.00635	TAP SCREW ST4.2 X 9.5 TORX	1	
12	000.02800	LOCKNUT M5 ZINC	5	
13	700.08040	KIT BATTERY RACK V1 -SAV	1	
14	M8101	EJECT BATTERY BUTTON	1	
15	000.00872	COMPRESSION SPRING 1/4 X 3/8 SS	1	
16	000.02905	FLAT WASHER M5 X 12OD X 1TH	1	

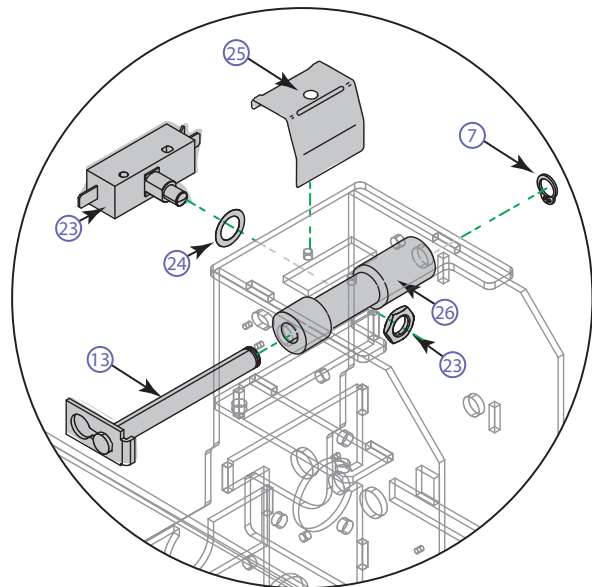
D - Chassis (cont.)



22 Note



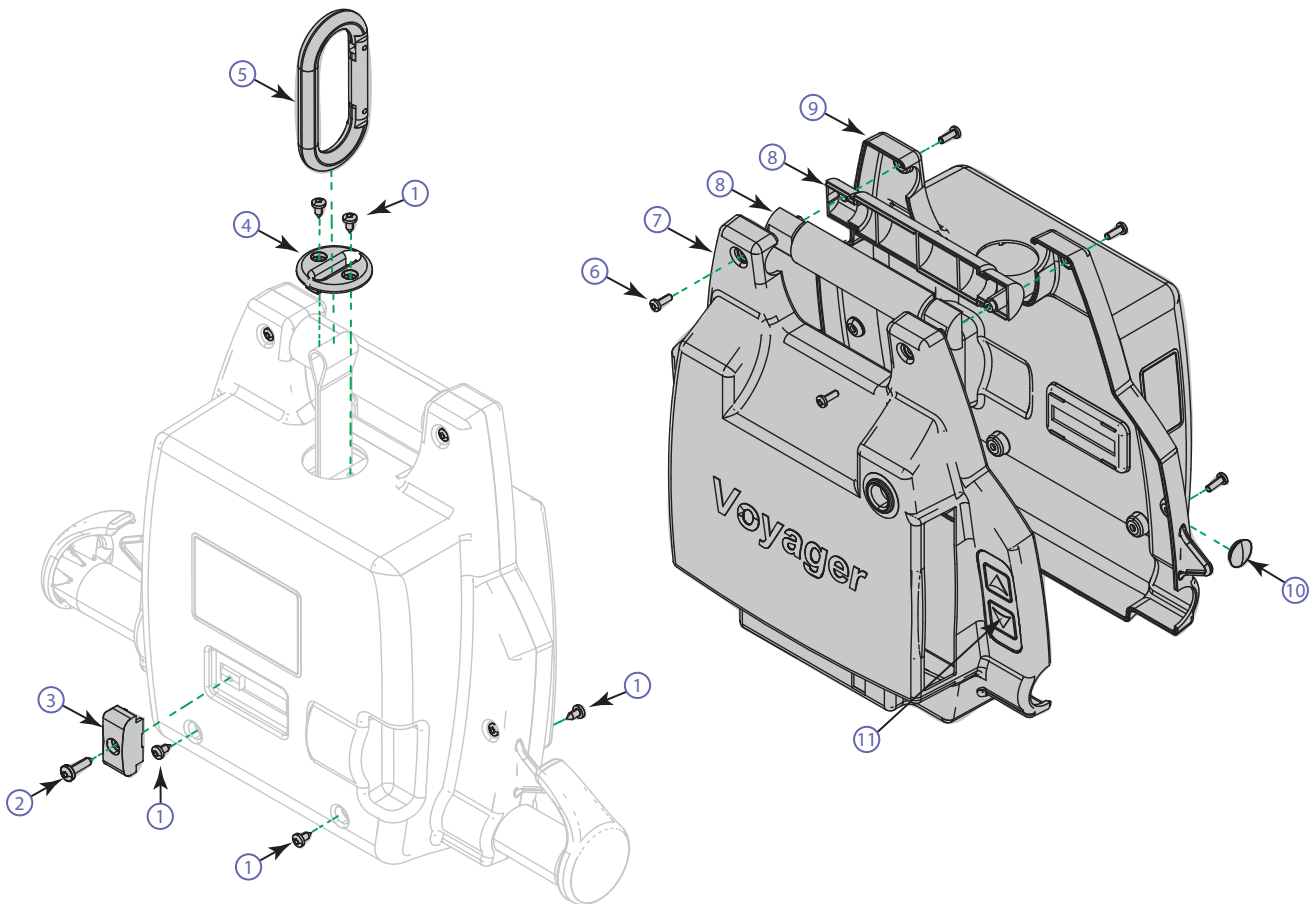
CONSTANT FORCE SPRING ASSEMBLY
PRIOR TO SERIAL No. VOYA-3719.
UPGRADE WITH RETROFIT KIT No. 700.00882



LIMIT SWITCH ASSEMBLY
PRIOR TO SERIAL No. VOYA-1709.

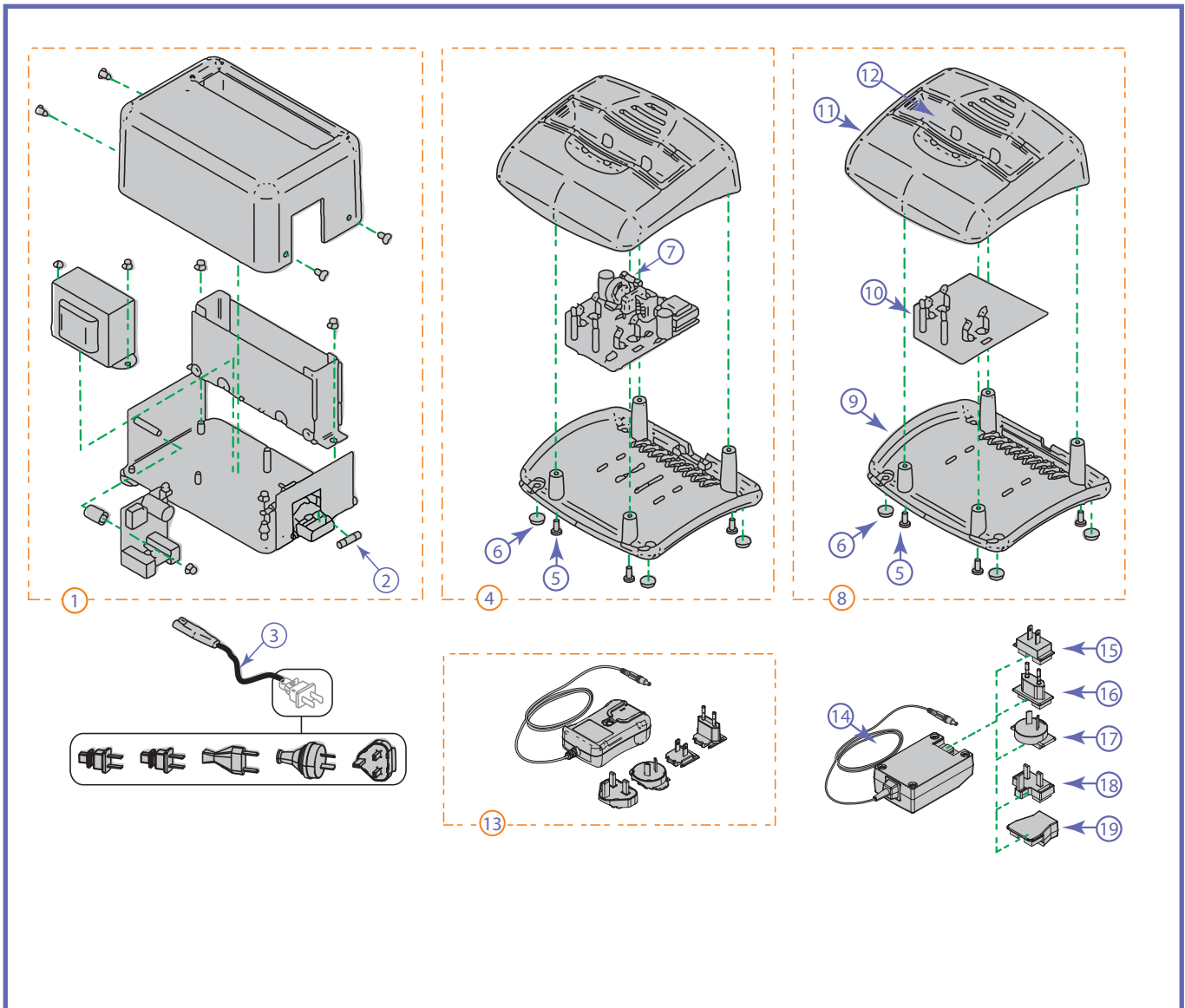
D		CHASSIS (CONT.)		
ITEM	PART №	DESCRIPTION	QTY	REMARKS
1	000.00846	RETAINING RING 9MM	2	
2	000.02535	NYLON SPACER 5 X 5mm	1	
3	000.00897	POP RIVET 3/16 1/4-3/8 ALUM	1	
4	000.00873	SPRING 6.5 X 25MM	2	
5	200.08120	LIMIT ROD PORT-V420	1	
6	000.00006	SCREW 2-56 X 5/8"	4	
7	460.00005PROTO1	LIMIT SWITCH MINI TERMINAL .110"	1	
8	000.00022	LOCKNUT 2-56	4	
9	000.00887	POP RIVET 1/8 5/16-3/8 ALUM	1	
10	000.00605	TAP SCREW #6 X 3/8 TYPE B	1	
11	362.01365	PORTABLE LIFT BLACK STRAP	1	
12	200.08520	STRAP GUIDE ROLL	1	
13	200.08065	STEEL SHAFT 9 X 85mm	2	
14	M8046	CBLM WASHER	1	
15	203.08047	CBLM WASHER SPRING	1	
16	A8051	DRUM PORTABLE STRAP - SAV	1	
17	000.03460	BUTTON HEAD SCREW M6 X 40	2	
18	P8030	MICA SSRS SLOT CAP	1	
19	200.08035	CBLM PLATE	1	
20	250.08081	MACHINING SSRS BLOC	1	
21	A8030	LIMIT SWITCH ASSY	1	
22	700.00882	CONSTANT FORCE KIT FOR VOYAGER	1	
23	E0202	LIMIT SWITCH w HEX NUT	1	
24	000.00990	FLAT WASHER 10 X 16 X 0.5T	1	
25	200.08110	LIMIT SWITCH BLADE PROTECTOR	1	
26	200.08520	STRAP GUIDE ROLL	1	Rev. 9

E - Housing



E		Housing			
ITEM	PART №	DESCRIPTION	QTY	REMARKS	KITS
1	000.00635	TAP SCREW ST4.2 X 9.5 TORX	6	For metal	
2	000.00640	TAP SCREW ST4.8 X 19 TORX	1	For plastic	
3	M8086	SSRS KNOB	1		
4	M8071	STRAP GUIDE	1		
5	000.08000	CARABINER HOOK	1		
6	000.02480	TAP SCREW PLASTITE 4 X 12 MM	6		
7	250.08176	FRONT COVER	1		K1
8	M8095	HALF HANDLE	2		
9	250.08181	BACK COVER	1		K1
10	000.01038	½" PLASTIC CAP	1		
11	P8015	UP / DOWN MEMBRANE	2		

F - Charger / Charge Monitor



F**CHARGER / CHARGE MONITOR**

ITEM	PART №	DESCRIPTION	QTY	REMARKS
1	A8200	VOYAGER CHARGER WITHOUT CORD	1	Obsolete Replace with Charger (Item 14) & appropriate Primary adaptor (Item 15 - 18).
2	C8FGMC0.5	FUSE GMC 0.5A (100VAC TO 120VAC)	1	
	C8FGMC0.250	FUSE GMC 0.25A (220VAC TO 240VAC)		
3	402-10001	WHITE CABLE SPT CLASS 2 – UL	1	
	402-10002	WHITE CABLE SPT CLASS 2 – JP		
	402-10003	WHITE CABLE SPT CLASS 2 – CE		
	402-10004	WHITE CABLE SPT CLASS 2 – AU		
	402-10005	WHITE CABLE SPT CLASS 2 – UK		
4	700.13500	VOYAGER CHARGER WITHOUT CORD	1	Obsolete Replace with Charger (Item 14) & appropriate Primary adaptor (Item 15 - 18)
5	000.02480	TAP SCREW PLASTITE 4.0 X 12 mm	4	
6	001.13500	RUBBER LEG V2 CHARGER	4	
7	480.00001	FUSE GMC 1A	1	
8	700-13501	CHARGE MONITOR	1	Requires Charger (item 14) & appropriate Primary adaptor (Item 15 - 18) to power
9	200-13511	CHARGER BOTTOM	1	
10	492-00081	CIRCUIT BOARD	1	
11	200-13501	CHARGER TOP	1	
12	200.13520	CHARGER SLEEVE	1	
13	700-24201	UNIVERSAL CHARGER (obsolete)	-	Replace with Charger (Item 14) & appropriate Primary adaptor (Item 15 - 18)
14	700-15567	UNIVERSAL CHARGER	1	
15	200-15561	PRIMARY ADAPTOR UL-JP	1	Only one primary adaptor is supplied with the Voyager according to destination country
16	200-15563	PRIMARY ADAPTOR CE	1	
17	200-15564	PRIMARY ADAPTOR AU	1	
18	200-15565	PRIMARY ADAPTOR UK	1	
19	200-15569	PRIMARY ADAPTOR IEC	1	For use with appropriate power cord (item 3)

ARJOHUNTLEIGH

GETINGE GROUP

GETINGE GROUP is a leading global provider of products and systems that contribute to quality enhancement and cost efficiency within healthcare and life sciences. We operate under the three brands of **ArjoHuntleigh**, **GETINGE** and **MAQUET**. **ArjoHuntleigh** focuses on patient mobility and wound management solutions. **GETINGE** provides solutions for infection control within healthcare and contamination prevention within life sciences. **MAQUET** specializes in solutions, therapies and products for surgical interventions and intensive care.

www.ArjoHuntleigh.com