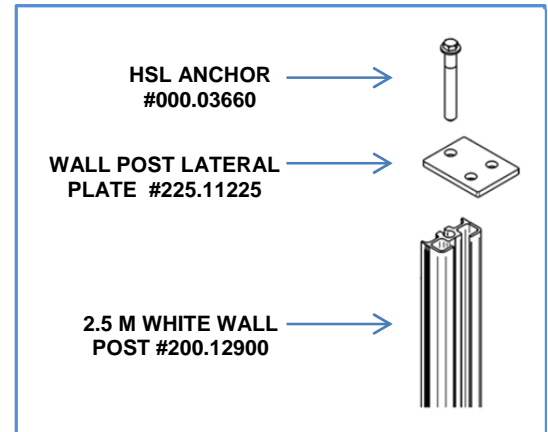


## Installation Procedure - Side Mounted Wall Post # 700.12910

### STEP 1 - TOP BRACKET INSTALLATION

1. Install the wall post lateral plate #225.11225 on top of your white wall post #200.12900 and install an HSL anchor M8/20 #000.03660.



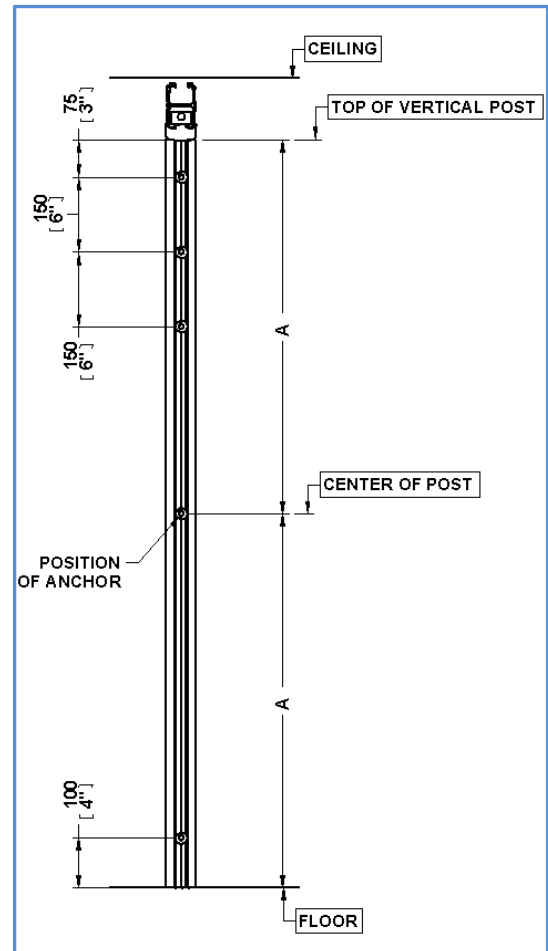
### STEP 2 – WALL POST INSTALLATION

(The installation shown here is for structure with gypsum to 1/2" to 5/8" thickness)

Hardware required:

- ✓ 5 expansible anchors for gypsum #000.00660
- ✓ 5 flat washers M6 25OD Zinc #000.03450
- ✓ 5 hex screws M6 x 80 Zinc #000.03235
- ✓ 1 PVC grey extrusion #200.12950

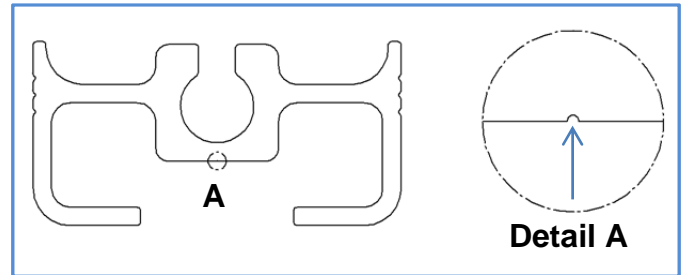
1. Adjust the length of the post according to the height of the rail, let 9.5 mm spacing between the ceiling and the top of the rail.
2. Cut the post to the right length.
3. Mark the position of the anchors on the Post.



# Installation Procedure - Side Mounted Wall Post # 700.12910

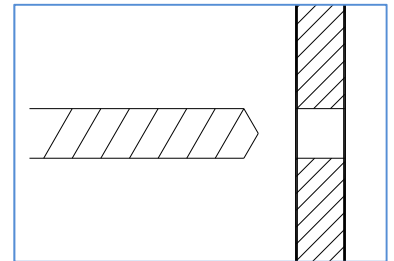
4. Drill a 6.3 mm (1/4 in) hole into the post. To center the hole, align the drill bit with the tiny line in the middle of the post.

**Note:** For a concrete wall, drill a 10 mm (3/8 in.) hole.

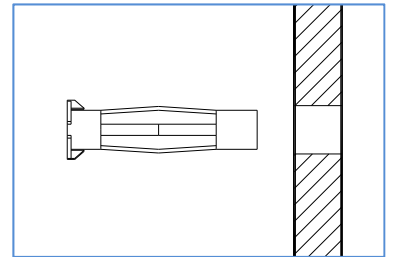


5. Use the post to mark the position of the anchors on the wall.

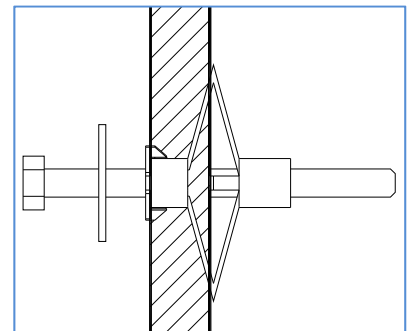
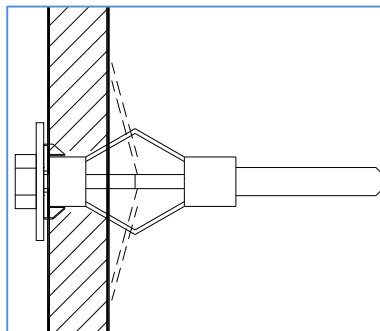
6. Drill 13 mm (1/2 in.) diameter holes into the wall to insert the anchors (lag bolts for wood or anchors HDI for concrete according to HILTI specs) depending on the type of structure.



7. Insert the anchors supplied (Part #000.00660) with the installation kit.

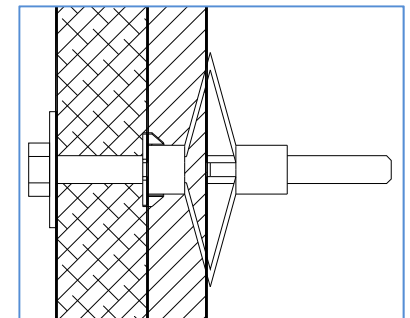


8. To install an anchor, insert a bolt with a washer into the anchor, tighten until the anchor expands and then, remove the washer and the bolt. Install anchors in remaining holes by repeating the same steps.



9. Position the post on the wall and make sure the holes are aligned with the post.

10. Insert bolts with washers into each hole and screw tightly.



11. Use a level to ensure that the post is vertical.

12. Insert the PVC grey band onto the wall post to hide the bolts. Cut it at the right length.

13. You are ready to attach the rail.

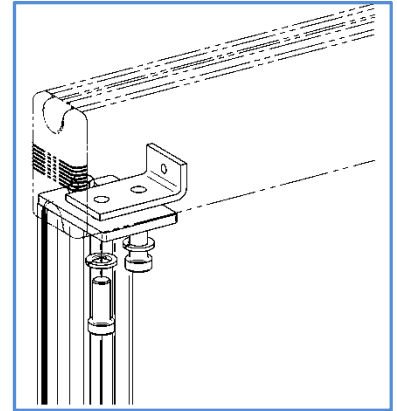
# Installation Procedure - Side Mounted Wall Post # 700.12910

## STEP 3 – ATTACHING THE RAIL

Hardware required:

- ✓ 1 rail stopper #205.11000
- ✓ 2 low head socket screws M12 #000.04553
- ✓ 2 lockwashers M12 #000.03450

1. Insert the 2 rail stoppers from your track junction (not included) into the rail as shown on Detail B at the end of this document.
2. At wall post extremity, insert a rail stopper #205.11000 in your rail (not included).
3. Place the rail on the previously fixed wall post lateral plate.
4. Adjust the position of the rail stopper to align it with the lateral plate.
5. Install the rail with the 2 low head socket screws M12 #000.04553 and 2 lockwashers M12 #000.03450 by tightening the rail stopper.



## STEP 4 – TEST PROCEDURE FOR WALL POST

### **IMPORTANT NOTICE**

The installation of the post with anchors must be done according to the Building Code and regulations applied in your area.

The support and the rail must be maintained and tested according to the manufacturer's standards and regulations applied. See safety standards for maintenance and inspection of gantry cranes, monorails, hoists and trolleys. For Canada, use the CAN/CSA B167-96 Standard, for USA, the ASME series B30 and for Europe, the 98/37/CE Standard.

Verify with your representative or distributor for Test Services.

### Material required:

- ⇒ 1 portable trolley
- ⇒ 1 winch

1. Insert the trolley into the rail by removing the end stopper or the ceiling rail from the wall post.
2. See Table 1 for the weight required (1.25 x weight capacity by unit)

**Table 1 : Weight Required for Test Load**

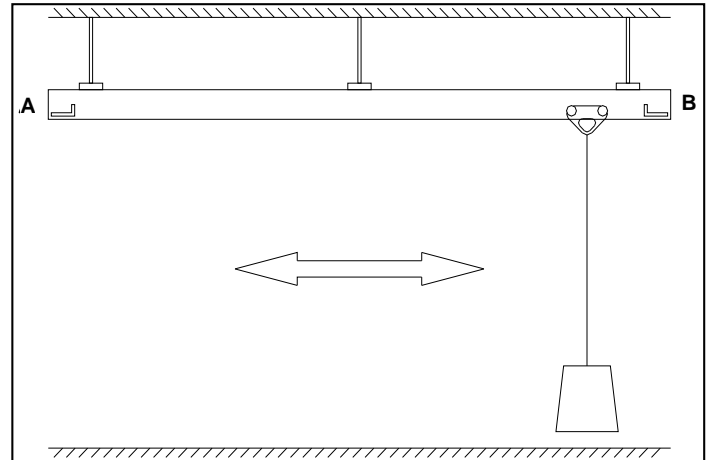
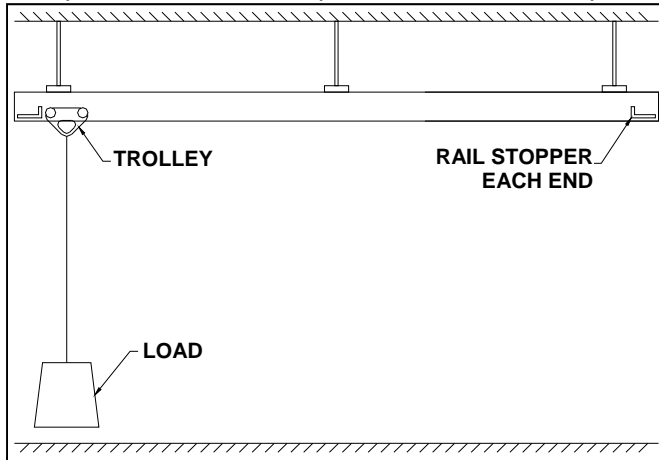
LIFT UNIT – SAFE WORKING LOAD (SWL)	MAX WEIGHT LOAD TESTING (kg-lb)
200 kg (440 lb)	250 kg (550 lb)
270 kg (600 lb)	340 kg (750 lb)
360 kg (800 lb)	450 kg (1000 lb)
450 kg (1000 lb)	570 kg (1250 lb)

3. Apply the weight load to trolley.

*Note: ArjoHuntleigh advises not to lift weight more than 1-2 inches from the floor, for security reasons.*

# Installation Procedure - Side Mounted Wall Post # 700.12910

4. Once the weight load is on the trolley/track, slide the weight from point A to point B. (See diagram below). If the test respects the tolerances, proceed to the next step.

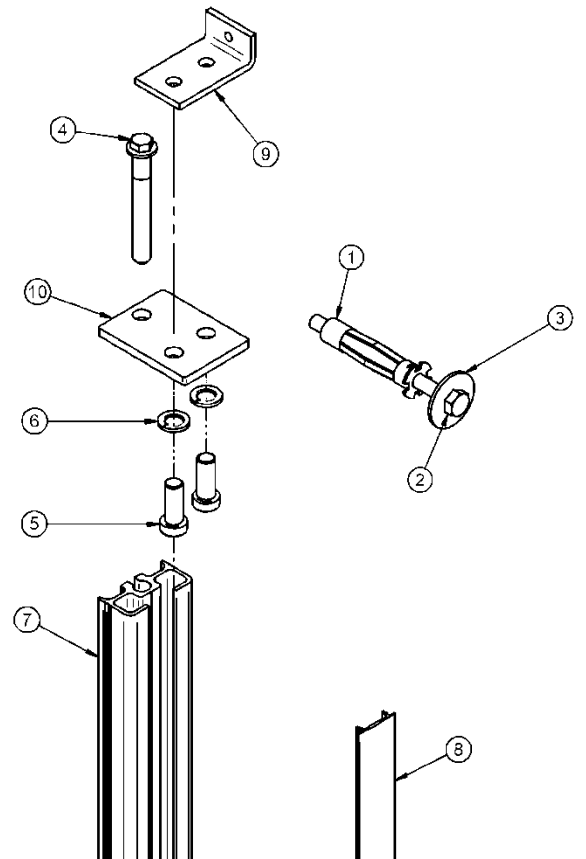


5. Once the weight load test has been completed, lower the weight load to the floor. Remove the trolley by removing the end stopper or the ceiling rail from one end. Remove the trolley from the track. Replace the end stopper or the ceiling rail and tighten with a torque wrench at 15 lbs-ft.

**Note: Remember to replace the end stopper.**

## SIDE MOUNTED WALL POST (1 POST PER KIT) PARTS LIST

ITEM	PART #	DESCRIPTION	QTY
1	000.00660	HOLLOW WALL ANCHOR	5
2	000.03235	SCREW M6 X 80 HEX ZINC	5
3	000.03450	FLAT WASHER M6 25 OD ZINC	5
4	000.03660	ANCHOR HSL M8/20	1
5	000.04553	M12 X 30 SOCKET LOW HEAD ZINC	2
6	000.04910	LOCKWASHER M12 ZINC	2
7	200.12900	WALL POST BLANC 2.5M	1
8	200.12950	GREY PVC TRIM	1
9	2XX.11000	RAIL END STOPPER	1
10	2XX.11225	LATERAL WALL POST BRACKET	1



# Installation Procedure - Side Mounted Wall Post # 700.12910

## 700.12910 - SIDE MOUNTED WALL POST – TYPICAL INSTALLATION

